



US00D561508S

(12) **United States Design Patent**
Guo

(10) **Patent No.:** **US D561,508 S**
(45) **Date of Patent:** **** Feb. 12, 2008**

(54) **BATH ACCESSORY BASE**

D537,668 S * 3/2007 Murray D6/550

(75) Inventor: **Kaku Guo**, Shenzhen (CN)

* cited by examiner

(73) Assignee: **Globe Union Industrial Corp.**,
Taichung (TW)

Primary Examiner—Brian N Vinson

(74) *Attorney, Agent, or Firm*—Ming Chow; Sinorica, LLC

(**) Term: **14 Years**

(57) **CLAIM**

(21) Appl. No.: **29/255,018**

The ornamental design for a bath accessory base, as shown and described.

(22) Filed: **Mar. 3, 2006**

DESCRIPTION

(51) **LOC (8) Cl.** **23-02**

(52) **U.S. Cl.** **D6/524; D6/550**

(58) **Field of Classification Search** D6/546–550,
D6/518–523; D8/300, 303, 315–321, 349,
D8/354, 363, 373, 380; 108/28–29; 211/13.1,
211/16, 60.1, 100, 86.01, 87.01, 88.01, 88.04,
211/105.1–105.2, 123, 182, 181.1; 248/175,
248/176.1, 251, 302, 309.1; 16/110.1, 412,
16/415; 242/570, 590, 595–598

FIG. 1 is a top, front, and right side perspective view of a first embodiment of a bath accessory base showing my new design;

FIG. 2 is a front elevational view of FIG. 1;

FIG. 3 is a left side elevational view of FIG. 1,

FIG. 4 is a right side elevational view of FIG. 1;

FIG. 5 is a top plan view of FIG. 1;

FIG. 6 is a bottom plan view of FIG. 1;

See application file for complete search history.

FIG. 7 is an additional top, front, and right side perspective view of FIG. 1, with the broken-line disclosure of a towel ring being for illustrative purposes only and forming no part of the claimed design;

(56) **References Cited**

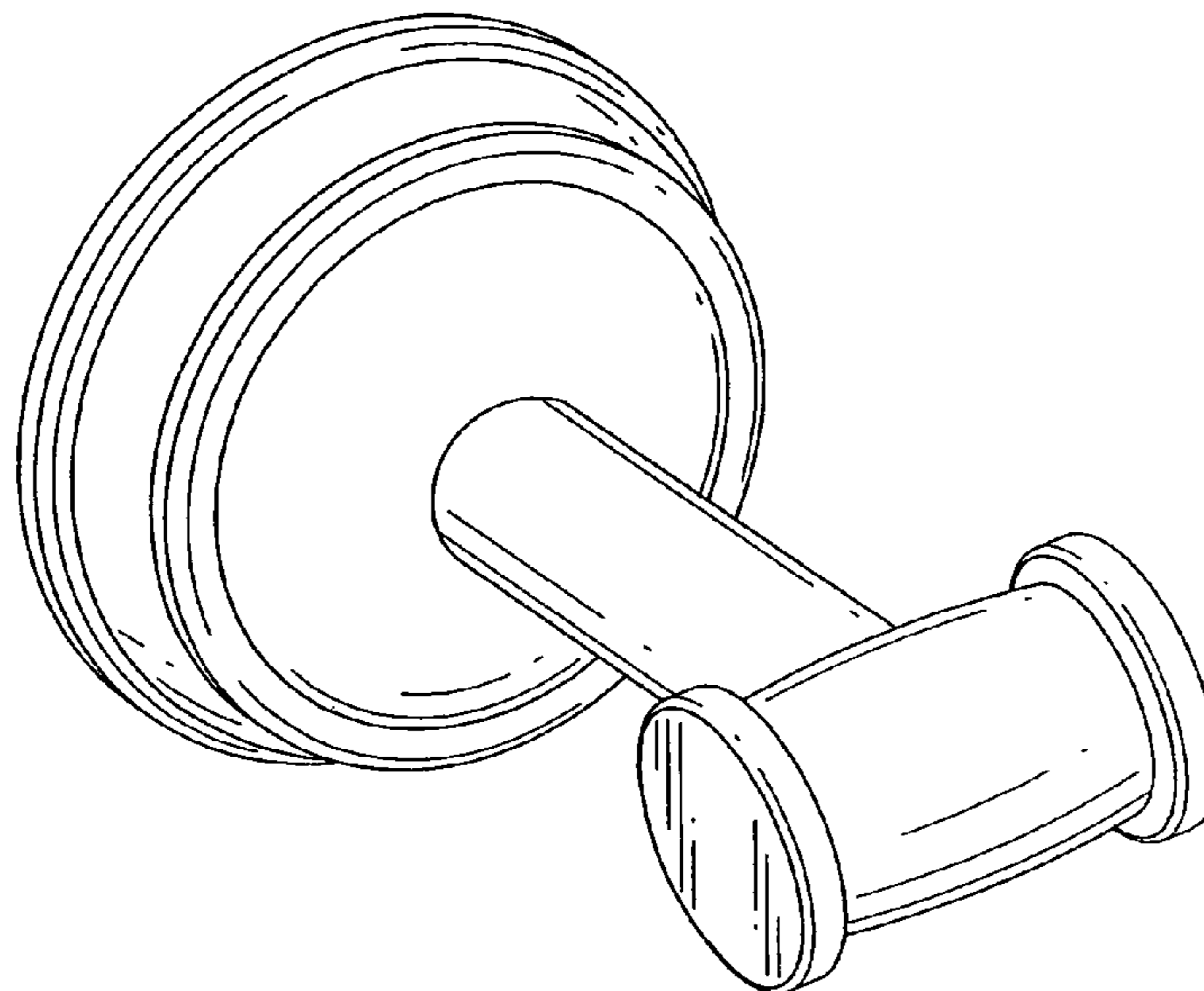
U.S. PATENT DOCUMENTS

- D317,691 S * 6/1991 Wang D6/550
- D409,032 S * 5/1999 Kuo D6/550
- D463,936 S * 10/2002 Chen D6/550
- D466,745 S * 12/2002 Chou D6/550
- D469,644 S * 2/2003 Yen D6/550
- D483,585 S * 12/2003 Chen D6/524
- D510,495 S * 10/2005 Gilbert D6/524
- D518,325 S * 4/2006 Gilbert D6/550
- D520,791 S * 5/2006 Solowiej D6/550
- D528,336 S * 9/2006 Chang D6/550

FIG. 8 is another additional top, front, and right side perspective view of FIG. 1, with the broken-line disclosure of a toilet paper holder being for illustrative purposes only and forming no part of the claimed design; and,

FIG. 9 is a top, front, and right side perspective view of a second embodiment of a bath accessory base showing my new design, with the broken-line disclosure of a towel bar holder being for illustrative purposes only and forming no part of the claimed design.

1 Claim, 7 Drawing Sheets



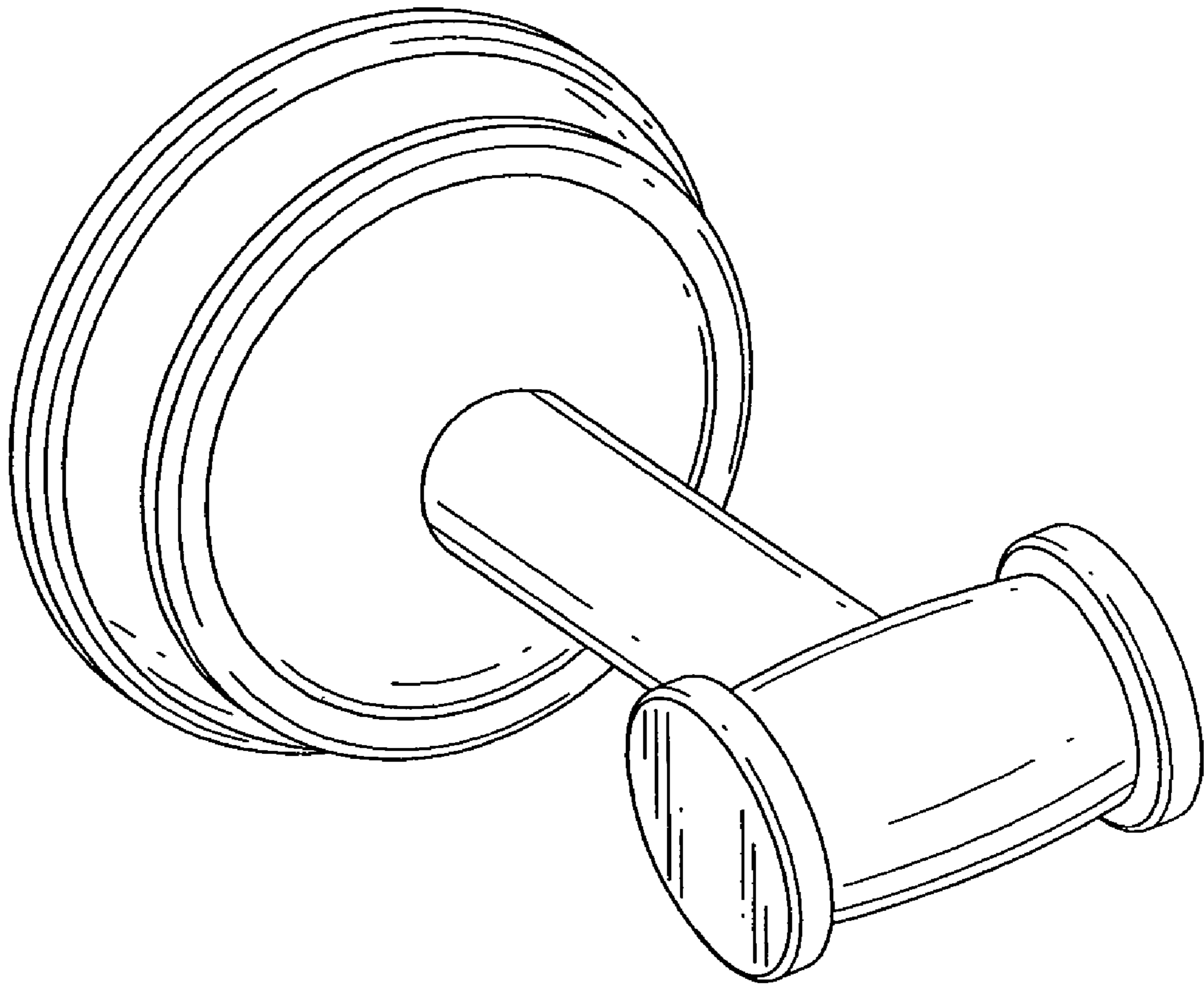


FIG. 1

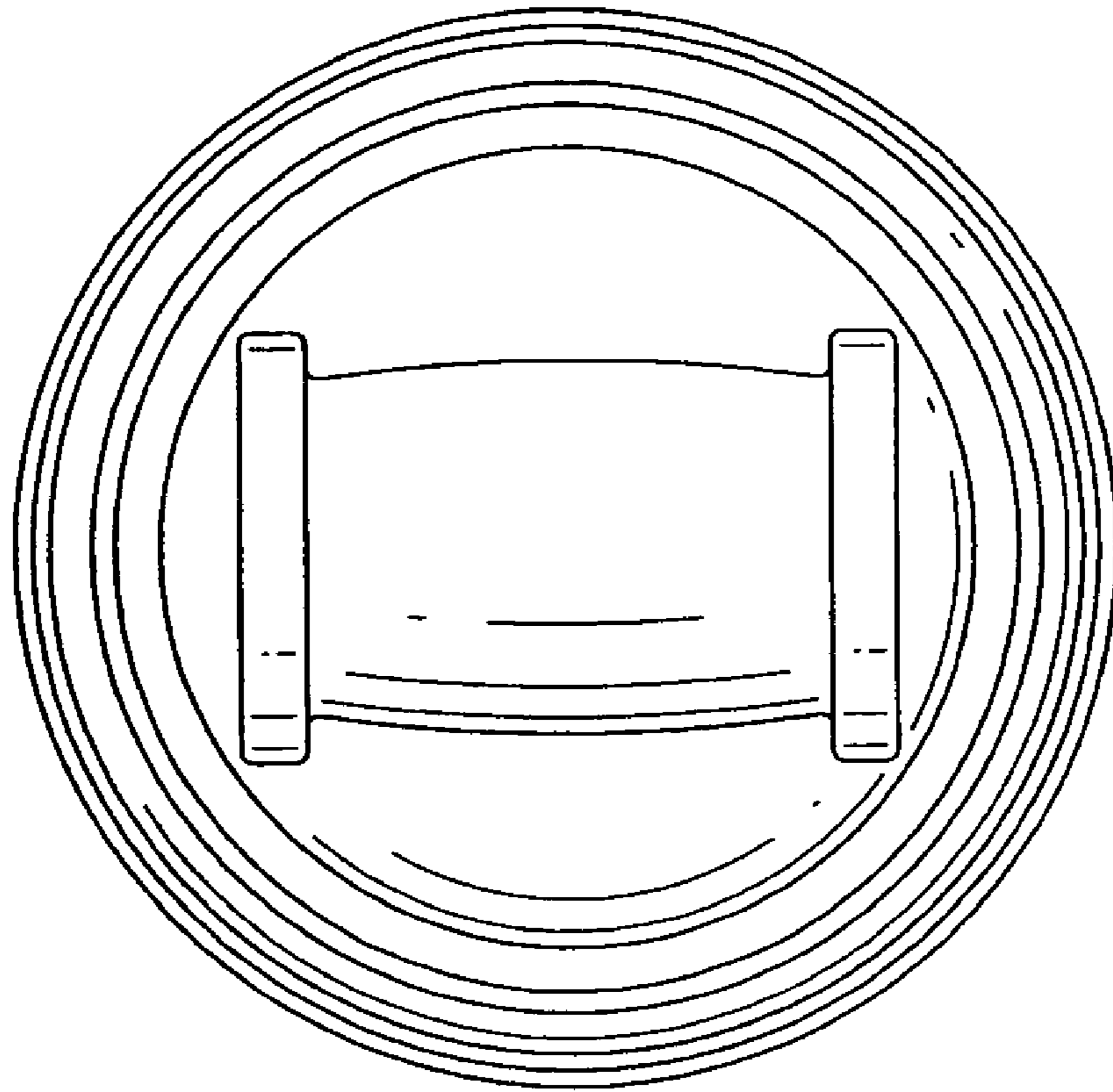


FIG. 2

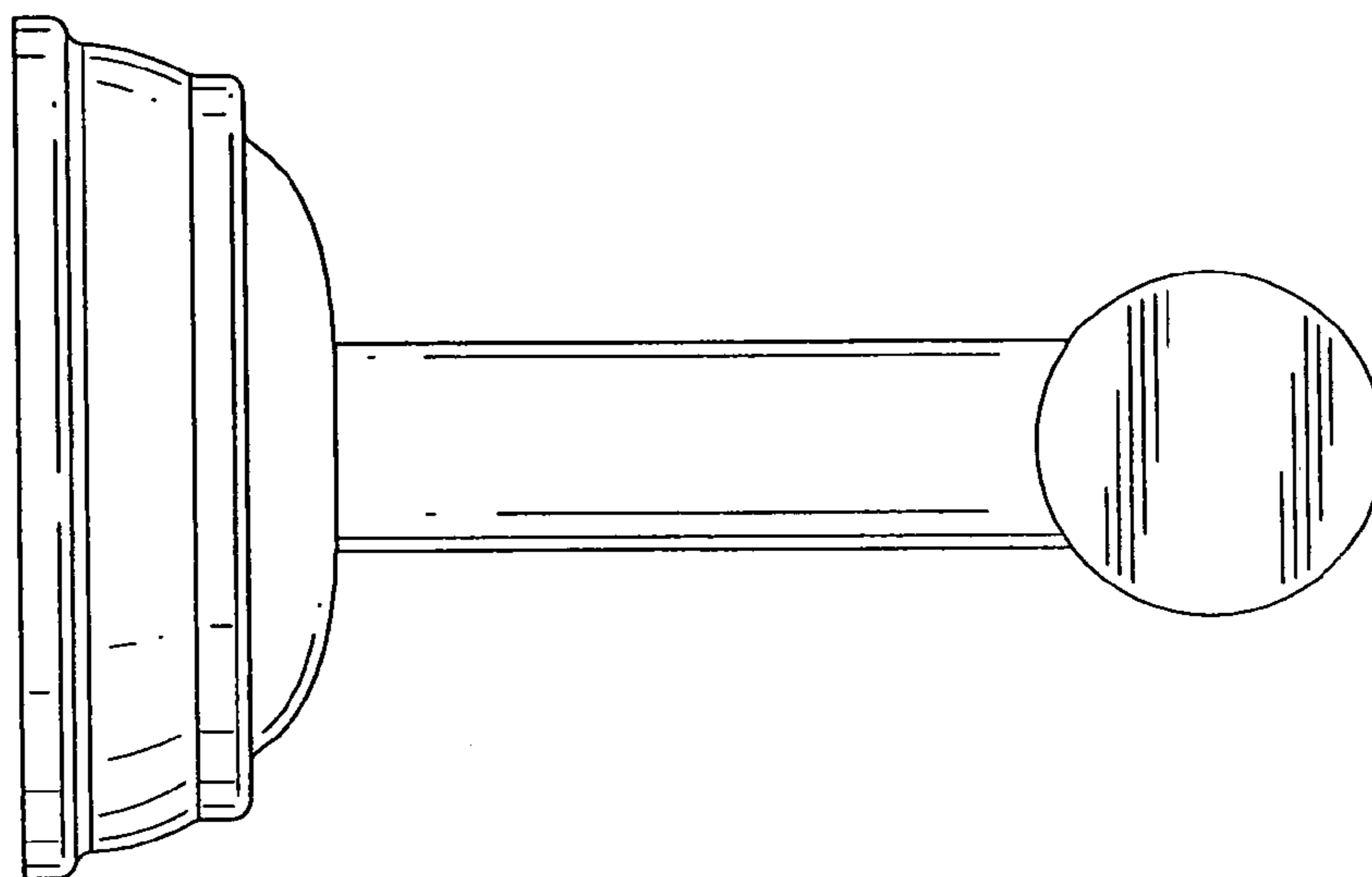


FIG. 3

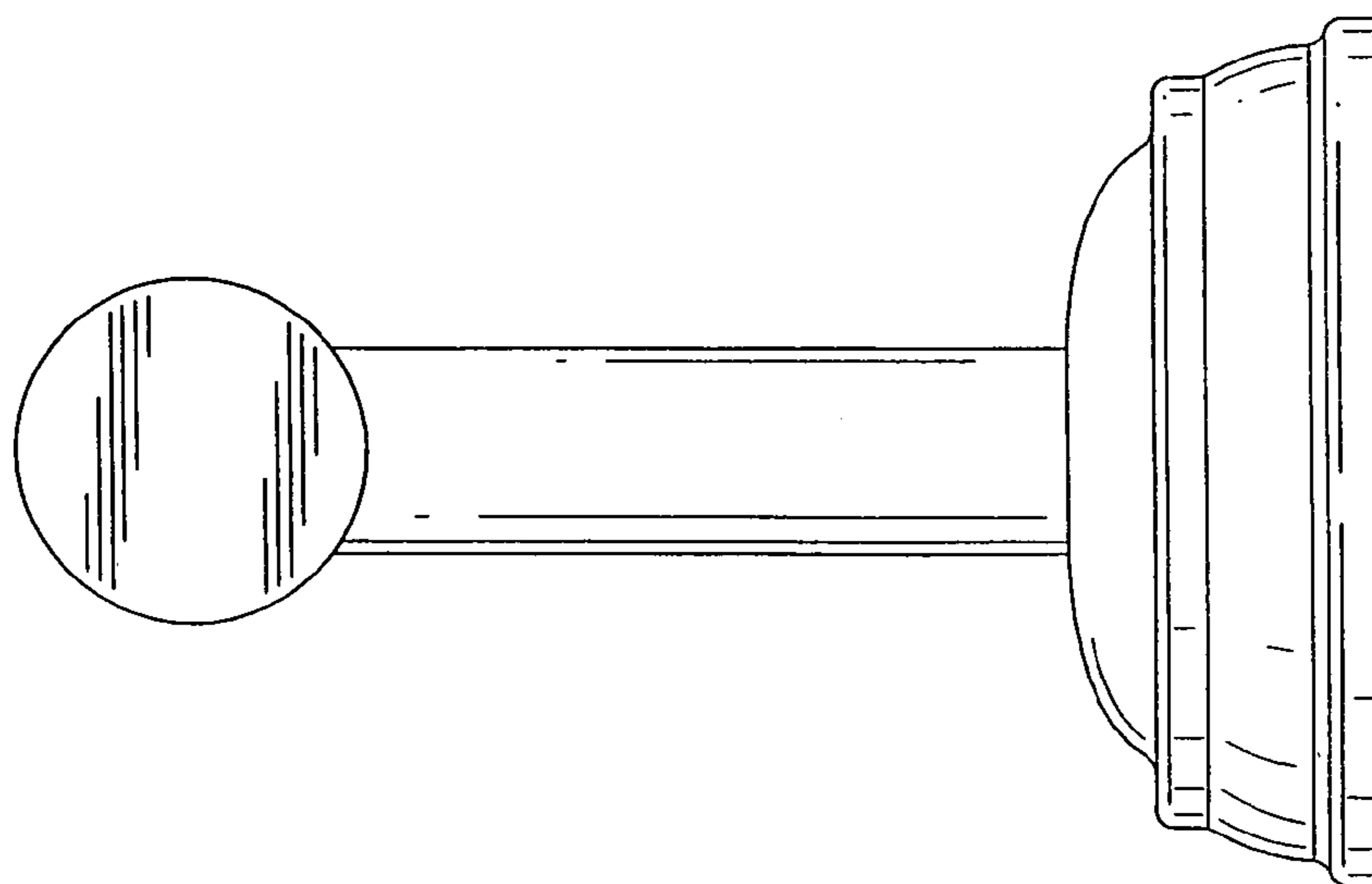


FIG. 4

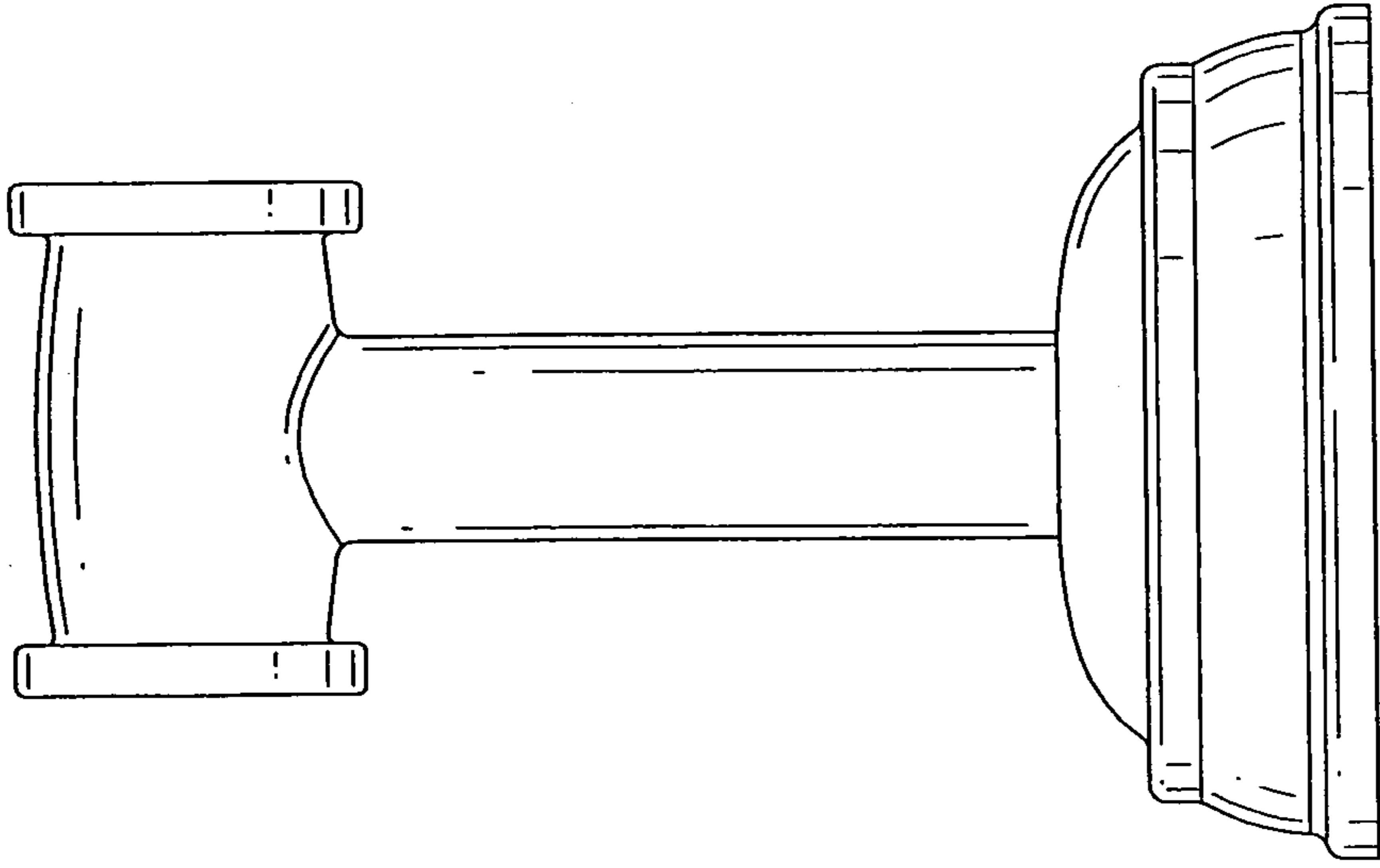


FIG. 6

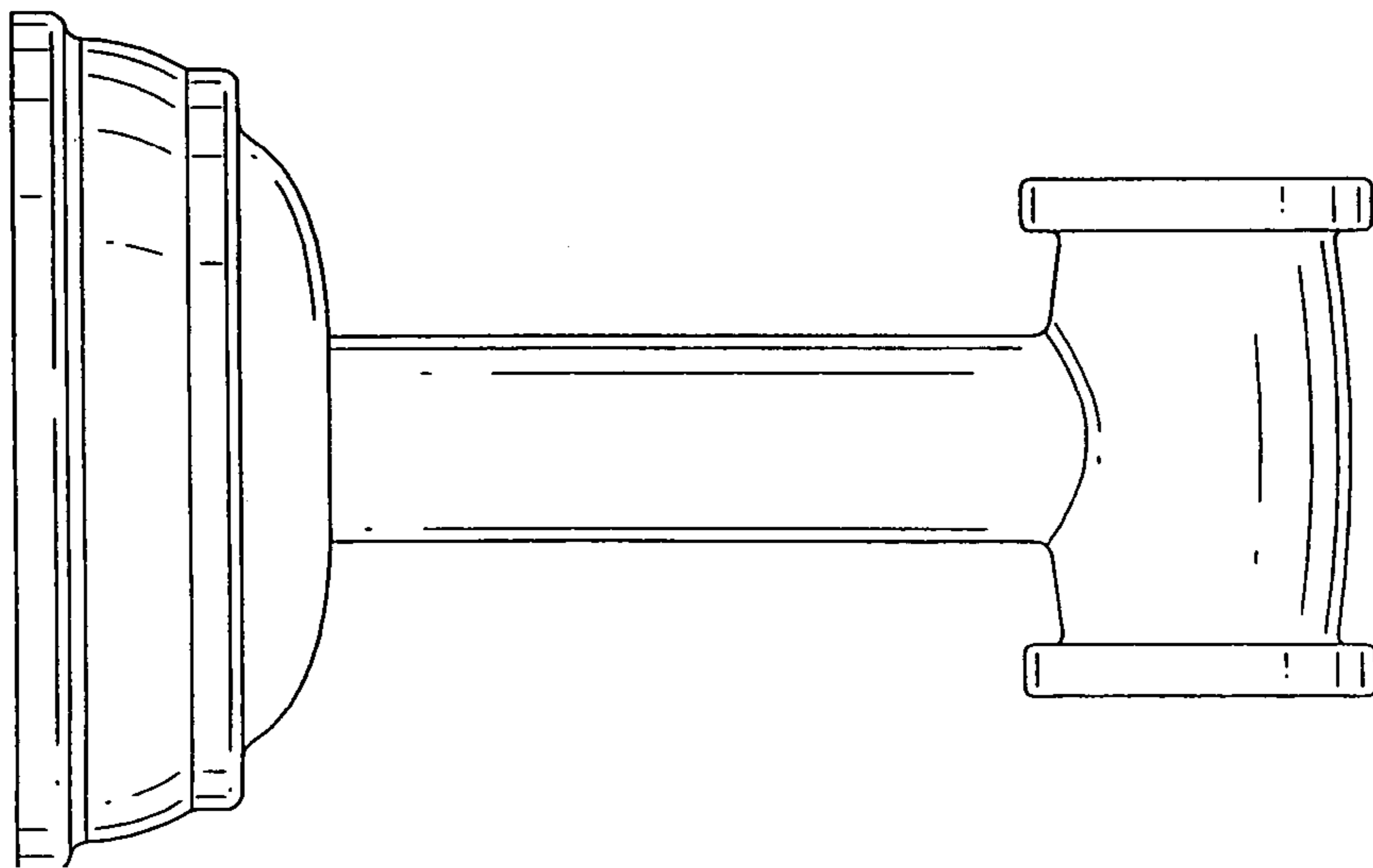


FIG. 5

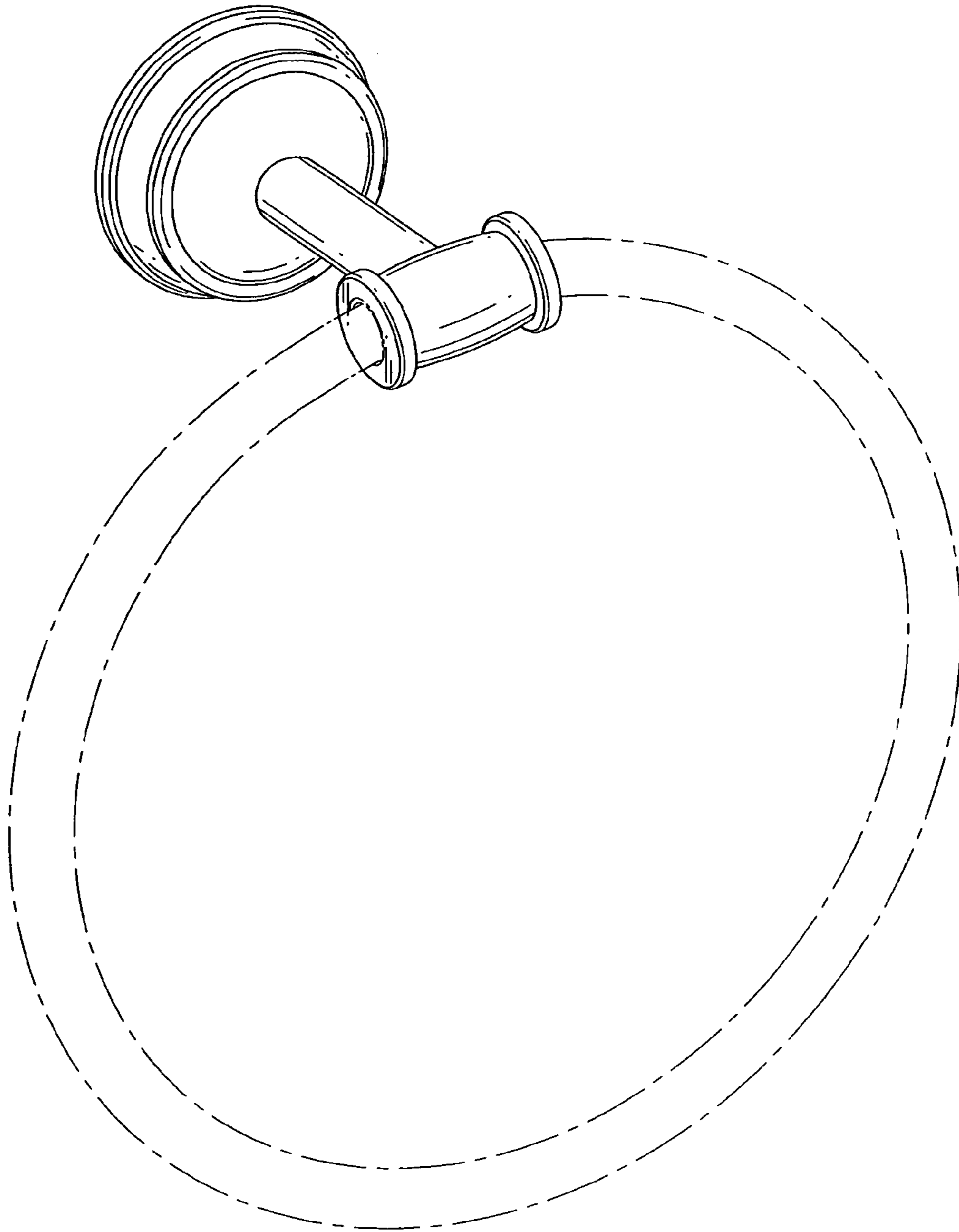


FIG. 7

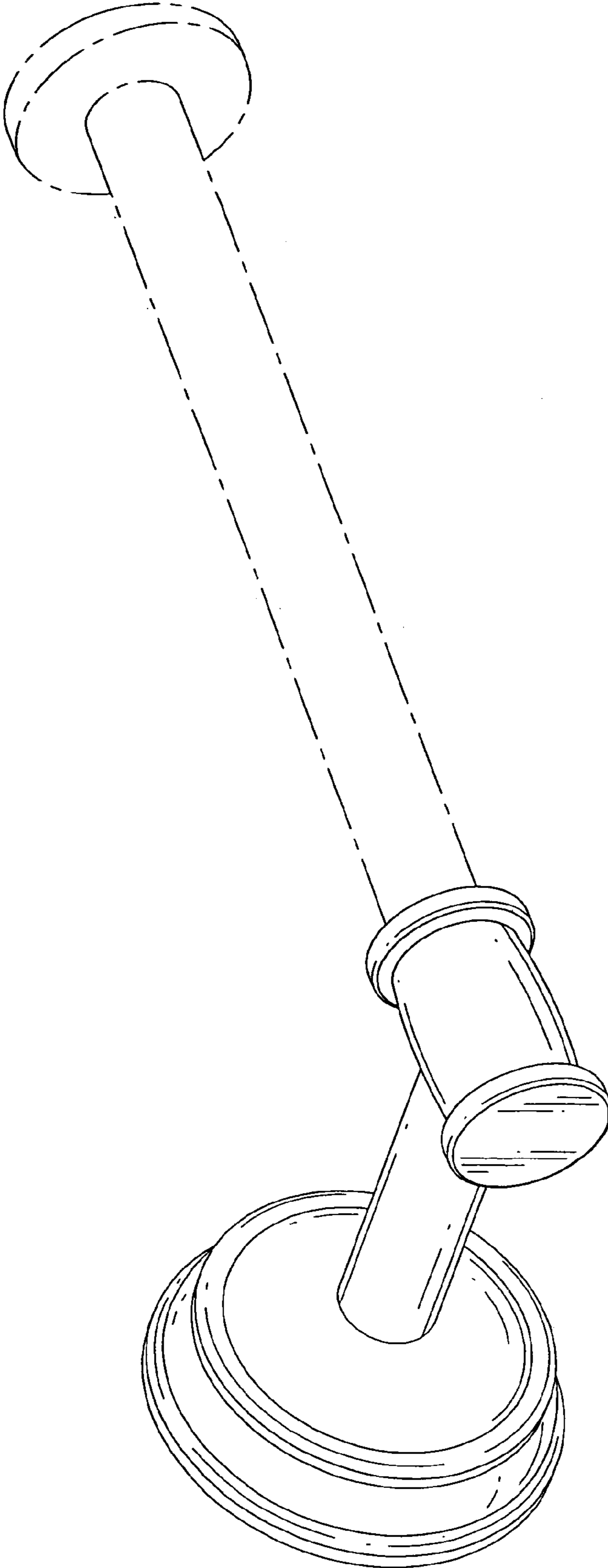


FIG. 8

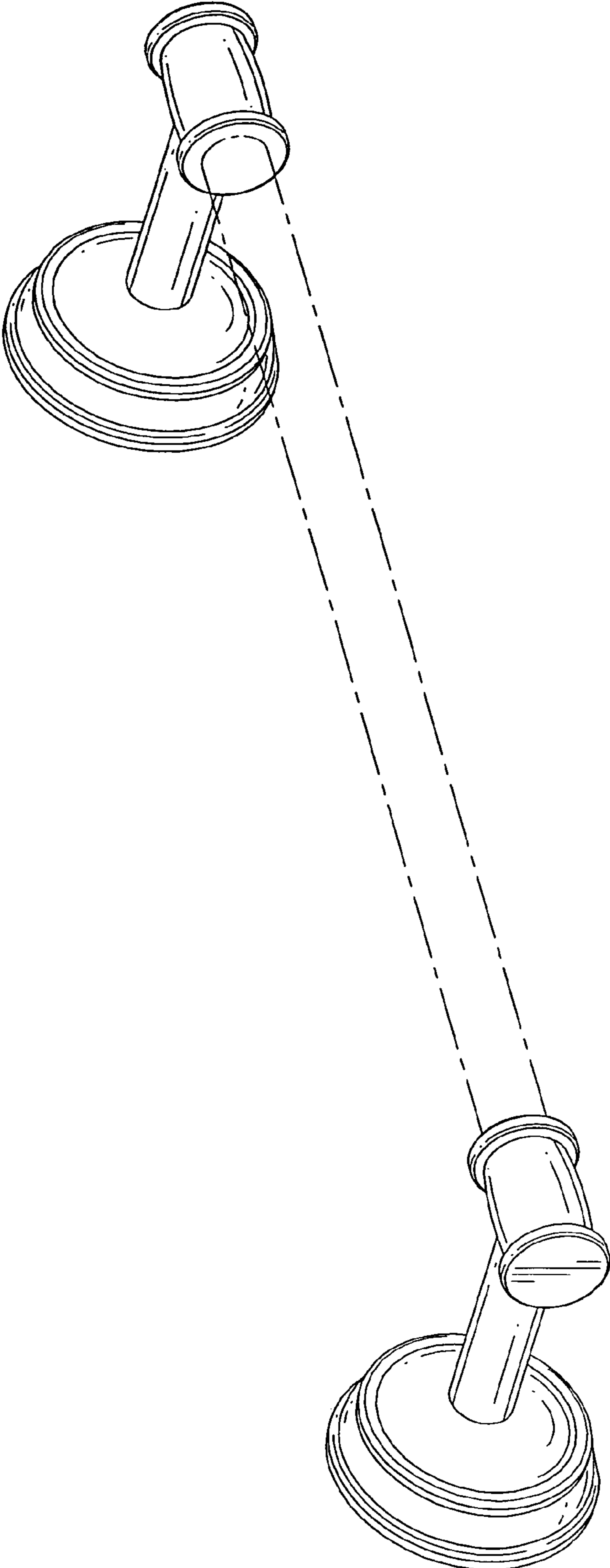


FIG. 9