



US00D561506S

(12) **United States Design Patent**
Gaska et al.

(10) **Patent No.:** **US D561,506 S**

(45) **Date of Patent:** **** Feb. 12, 2008**

(54) **MODULAR CABINET**

(75) Inventors: **Gil Anthony Gaska**, St. Joseph, MI (US); **Leah Z. Lader**, St. Joseph, MI (US); **Todd Christopher Starr**, St. Joseph, MI (US); **Travis M. Perkins**, Granger, IN (US)

(73) Assignee: **Whirlpool Corporation**, Benton Harbor, MI (US)

(**) Term: **14 Years**

(21) Appl. No.: **29/251,333**

(22) Filed: **Jan. 6, 2006**

(51) **LOC (8) Cl.** **06-04**

(52) **U.S. Cl.** **D6/510**

(58) **Field of Classification Search** D6/436,
D6/445, 446, 491, 492, 509-511; 312/204
See application file for complete search history.

(56) **References Cited**

U.S. PATENT DOCUMENTS

D95,158 S *	4/1935	Surerus	D25/158
D165,833 S *	2/1952	Gaither	D6/446
D177,419 S *	4/1956	Levenberg	D6/446
D229,139 S *	11/1973	Peckenpaugh	D6/446
4,787,556 A *	11/1988	Heisson	238/14
D328,824 S *	8/1992	Bellini et al.	D6/445
D372,011 S *	7/1996	Tyler	D12/203
D408,954 S *	4/1999	Geier et al.	D34/19
D409,613 S *	5/1999	McGee et al.	D14/189
D441,336 S *	5/2001	Hussaini et al.	D12/203
D458,884 S *	6/2002	Kraines	D12/203
D471,377 S *	3/2003	Gledhill et al.	D6/432
D495,912 S *	9/2004	Schmidt et al.	D6/561
D497,921 S *	11/2004	Schmidt et al.	D15/91
6,811,043 B2	11/2004	Perkins et al.	211/94.01
D503,839 S	4/2005	Schmidt et al.	D34/27
D504,989 S *	5/2005	Schmidt et al.	D34/27

D506,088 S *	6/2005	Moon et al.	D6/446
D507,914 S *	8/2005	Schmidt et al.	D6/510
D508,348 S *	8/2005	Moon et al.	D6/446
6,926,160 B2	8/2005	Perkins et al.	211/94.01
6,926,376 B2 *	8/2005	Arent et al.	312/249.9
D510,831 S *	10/2005	Schmidt et al.	D6/510
D514,854 S *	2/2006	Schmidt et al.	D6/510
D515,342 S *	2/2006	Schmidt et al.	D6/510
D518,984 S *	4/2006	Schmidt et al.	D6/510
D520,784 S *	5/2006	Schmidt et al.	D6/510
D521,285 S *	5/2006	Schmidt et al.	D6/510
D527,212 S *	8/2006	Schmidt et al.	D6/510

OTHER PUBLICATIONS

<http://www.filterforge.com/filters/879.html> Diamond Plate Texture Maps.*

* cited by examiner

Primary Examiner—Mimosa De

(74) *Attorney, Agent, or Firm*—Michael D. Lafrenze; Tara M. Hartman

(57) **CLAIM**

The ornamental design for a modular cabinet, as shown and described.

DESCRIPTION

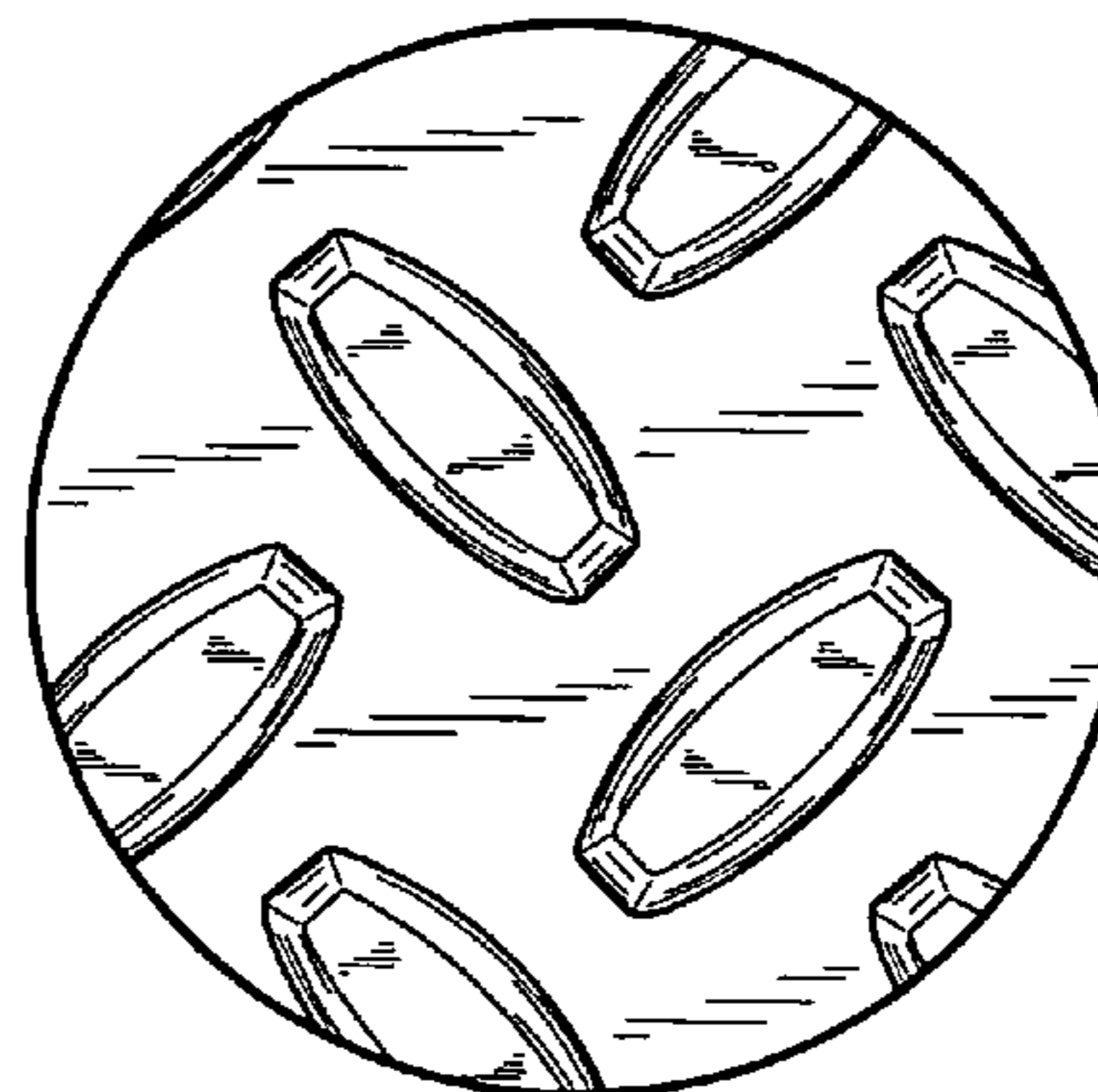
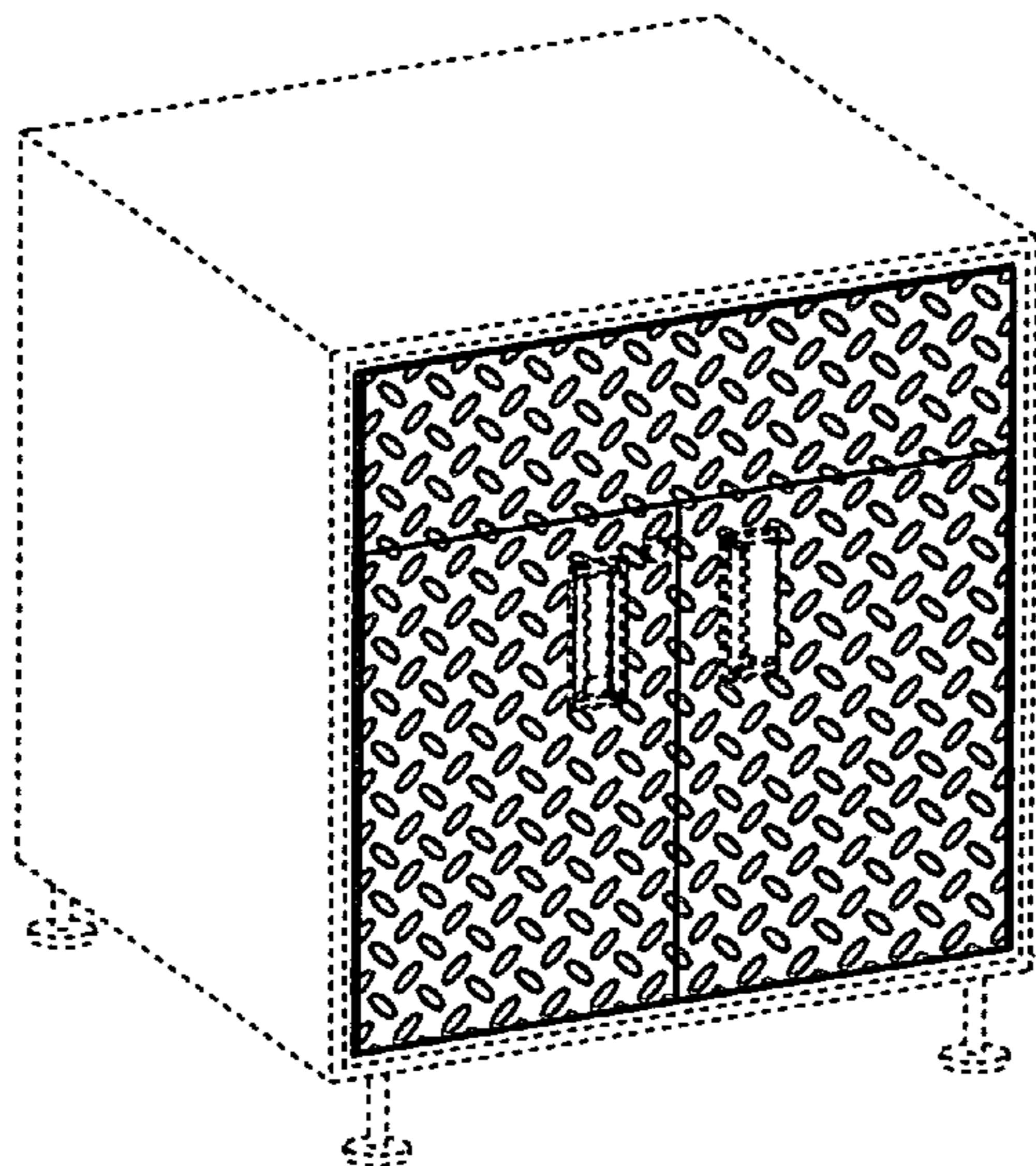
FIG. 1 is a left front perspective view of the design of the modular cabinet;

FIG. 2 is a front elevational view thereof; and,

FIG. 3 is an enlarged view of the pattern on the modular cabinet doors and drawer.

The ornamental design resides in the use of a pattern on the modular cabinet doors and drawer. One embodiment of a pattern according to the ornamental design is shown in FIGS. 1-3. The broken lines shown are for illustrative purposes only and form no part of the design claimed.

1 Claim, 2 Drawing Sheets



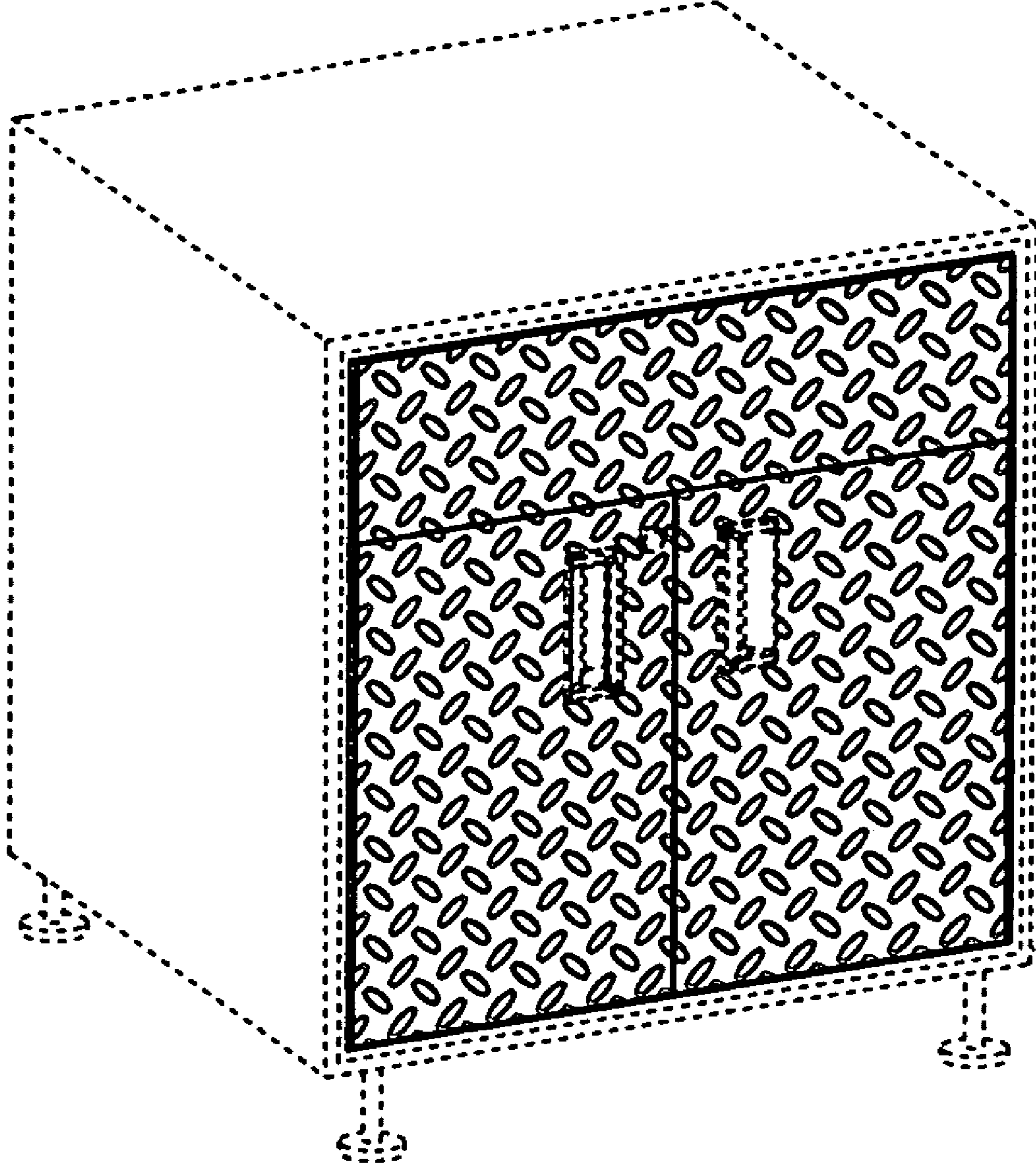


Fig. 1

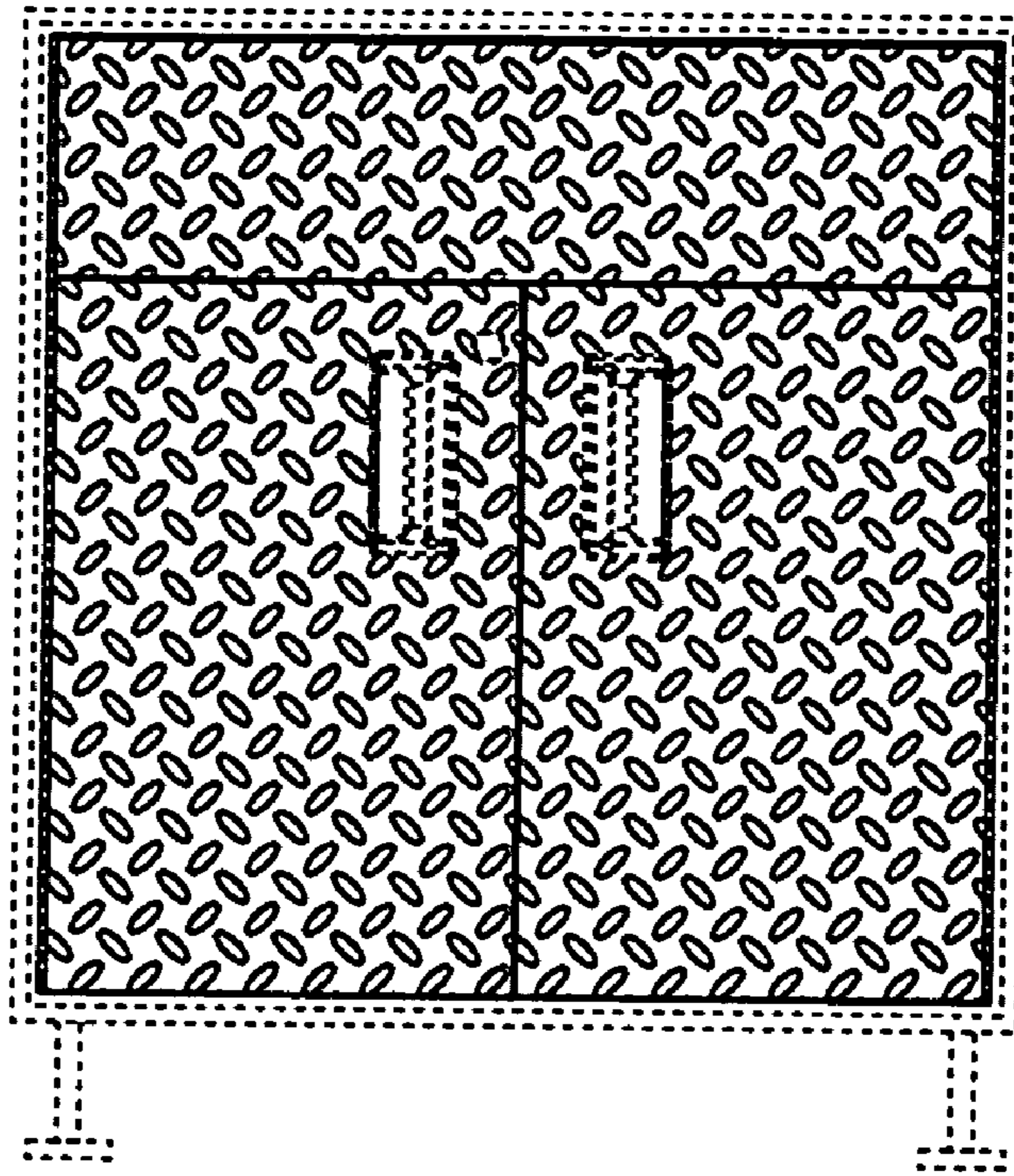


Fig. 2

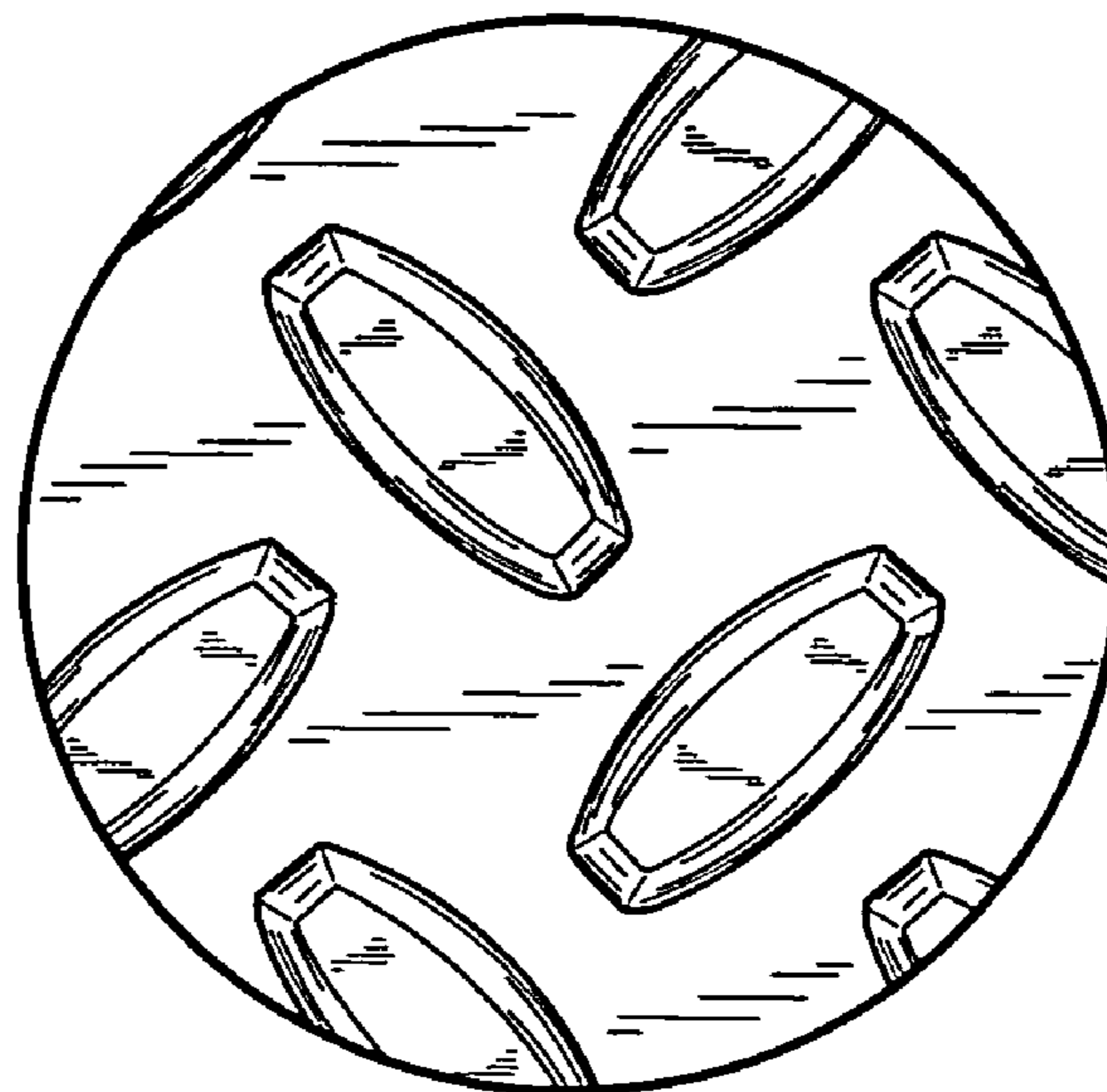


Fig. 3