



US00D561503S

(12) **United States Design Patent**  
**Grove**

(10) **Patent No.:** **US D561,503 S**

(45) **Date of Patent:** **\*\* Feb. 12, 2008**

(54) **CHAIR ARM**

(76) Inventor: **James E. Grove**, 4316 Marina City Dr.,  
423 CTN, Marina Del Rey, CA (US)  
90292

(\*\*) Term: **14 Years**

(21) Appl. No.: **29/288,196**

(22) Filed: **Jun. 4, 2007**

(51) **LOC (8) Cl.** ..... **06-06**

(52) **U.S. Cl.** ..... **D6/501; D6/366**

(58) **Field of Classification Search** ..... D6/334-336,  
D6/364, 365, 366, 367, 379, 491, 500-502;  
297/411.2, 411.27, 411.28, 463.1

See application file for complete search history.

(56) **References Cited**

**U.S. PATENT DOCUMENTS**

D388,269 S *	12/1997	Tedesco et al. ....	D6/501
D424,824 S *	5/2000	Chu .....	D6/366
D433,833 S *	11/2000	Schultz et al. ....	D6/366
D447,896 S *	9/2001	Ho .....	D6/501
D509,085 S *	9/2005	Egger .....	D6/501
D538,560 S *	3/2007	Egger .....	D6/501
D538,566 S *	3/2007	Mazzera .....	D6/501
D538,568 S *	3/2007	Mazzera .....	D6/501
D539,576 S *	4/2007	Grove et al. ....	D6/501

D540,077 S *	4/2007	Mazzera .....	D6/501
D542,063 S *	5/2007	Smith .....	D6/501

\* cited by examiner

*Primary Examiner*—Mimosa De

(74) *Attorney, Agent, or Firm*—Morland C. Fischer

(57) **CLAIM**

The ornamental design for a chair arm, as shown and described.

**DESCRIPTION**

FIG. 1 is a perspective view showing the front, left side and top of a chair arm which forms my new design, the broken lines of a chair and an arm pad being for illustrative purposes only and forming no part of my design;

FIG. 2 is an enlarged left side elevational view thereof;

FIG. 3 is an enlarged top plan view thereof;

FIG. 4 is an enlarged right side elevational view thereof;

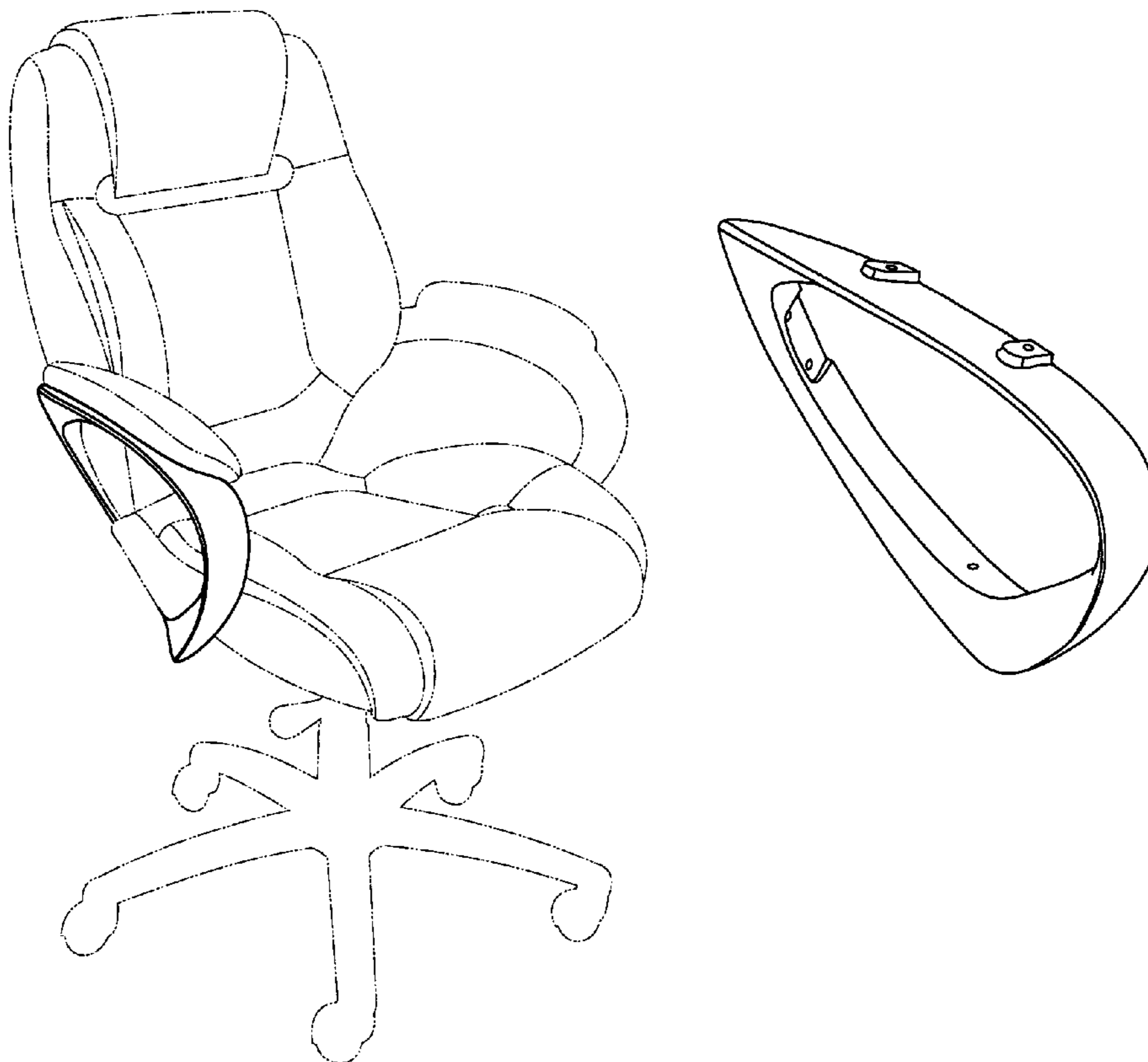
FIG. 5 is an enlarged bottom plan view thereof;

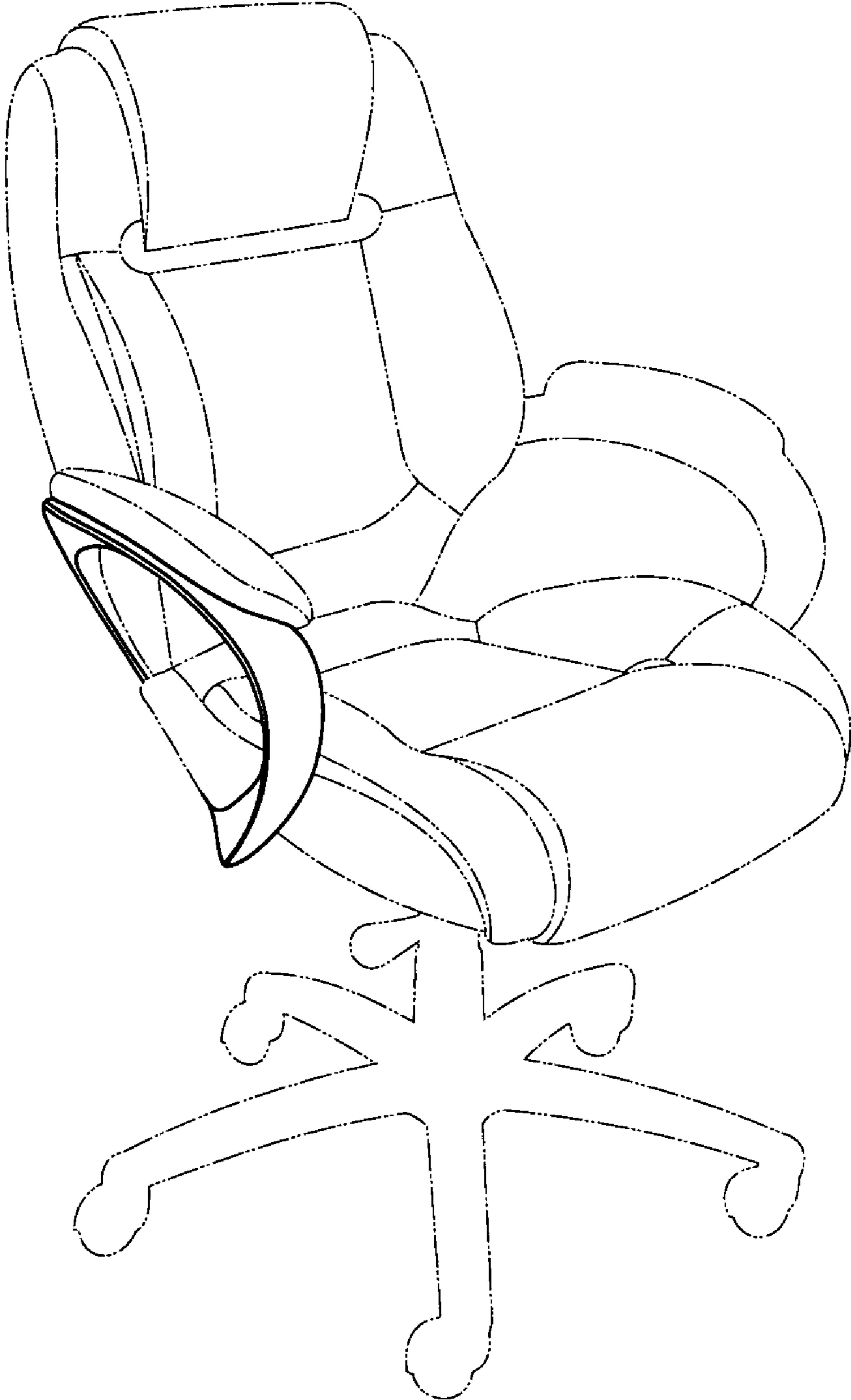
FIG. 6 is an enlarged front elevational view thereof;

FIG. 7 is an enlarged rear elevational view thereof; and,

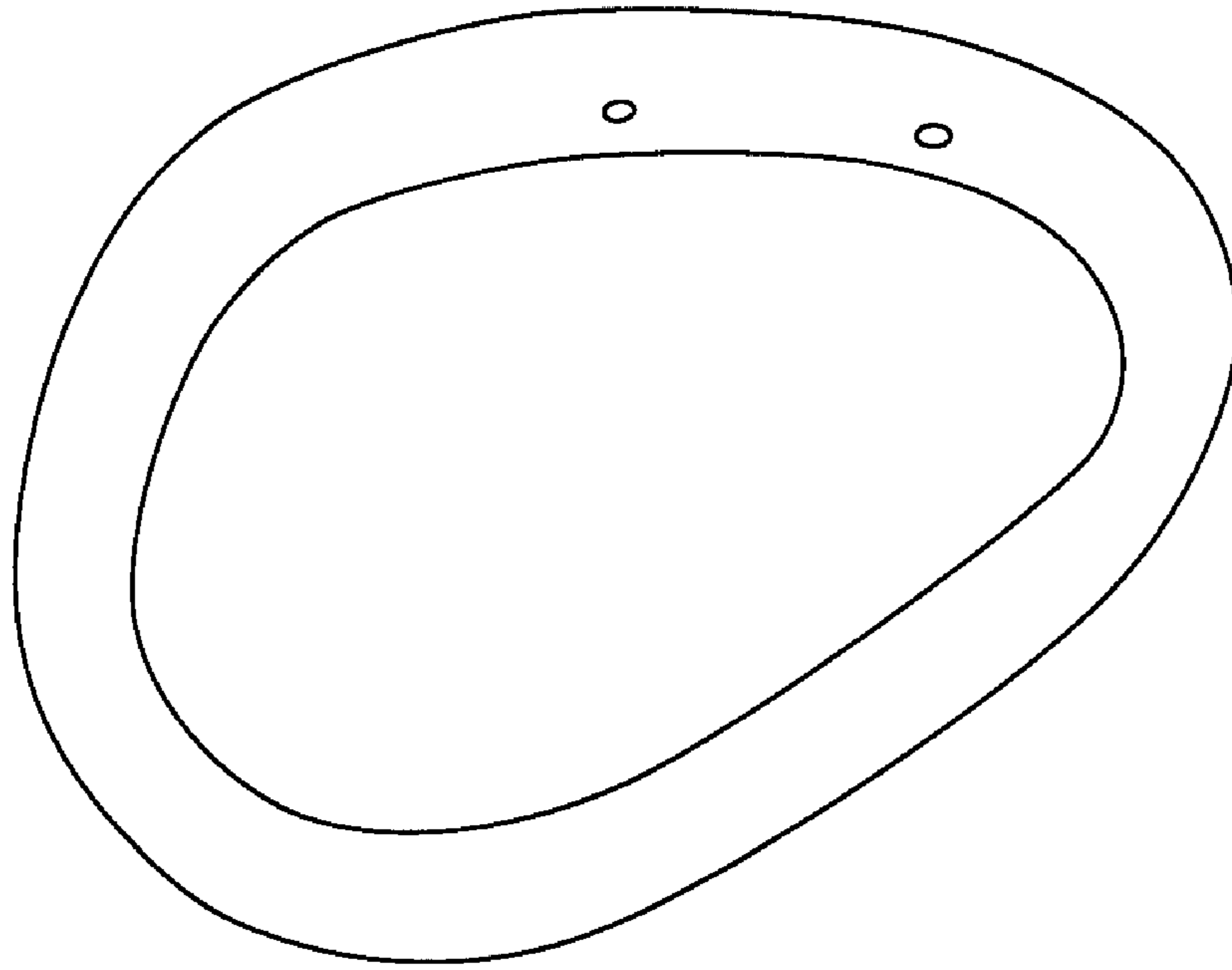
FIG. 8 is an enlarged perspective view showing the front, left side and top thereof.

**1 Claim, 4 Drawing Sheets**

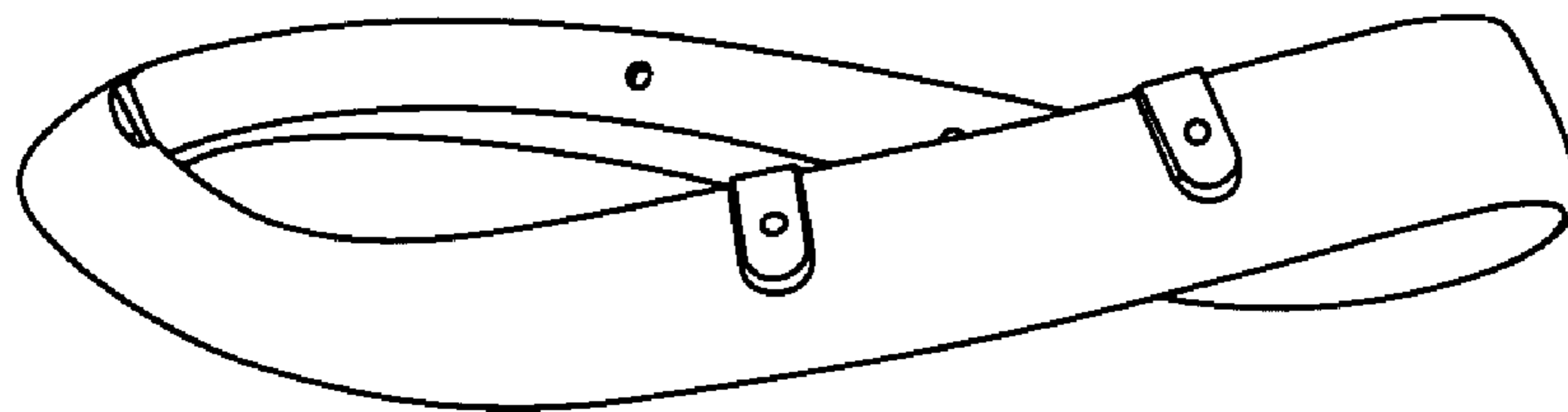




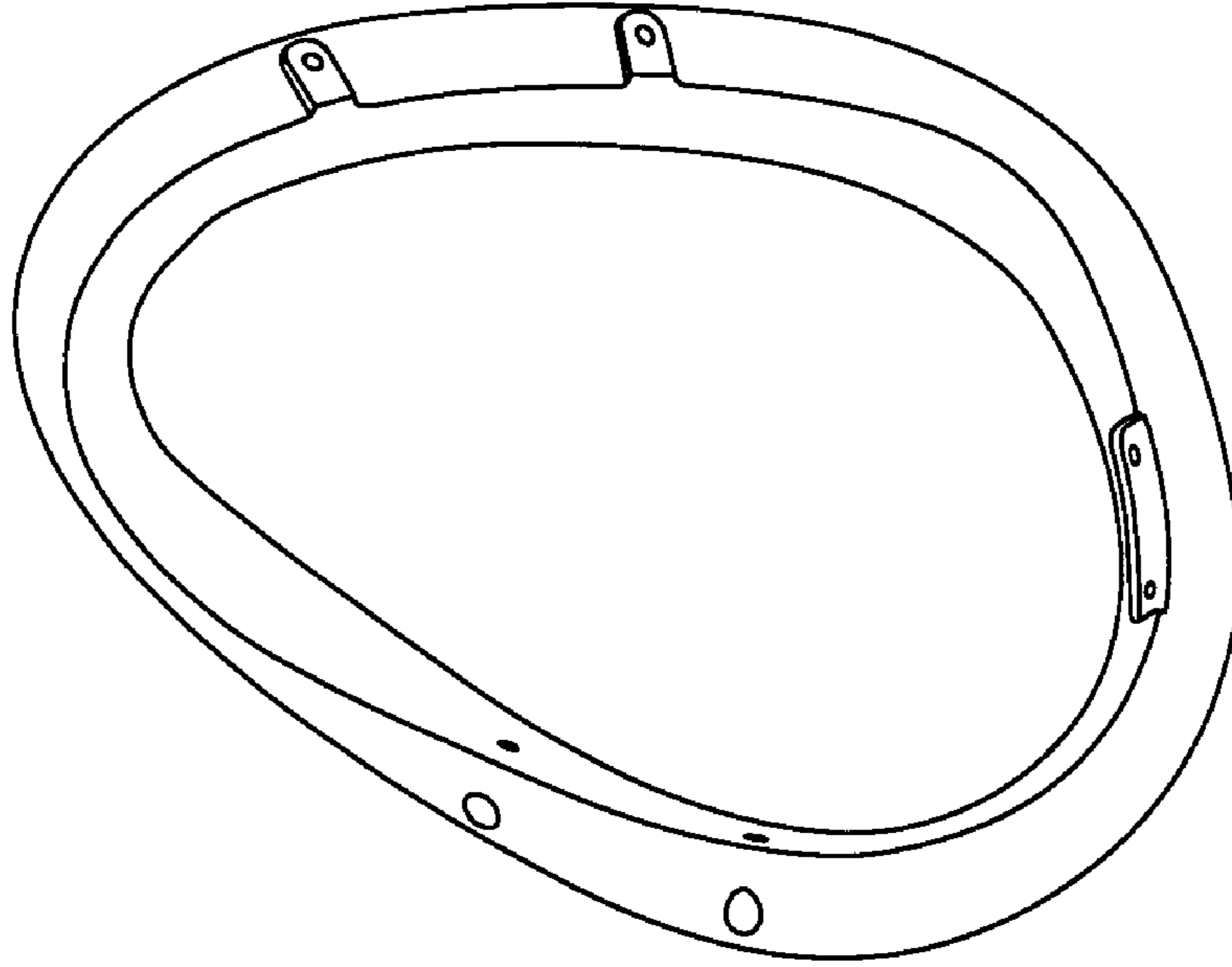
*FIG. 1*



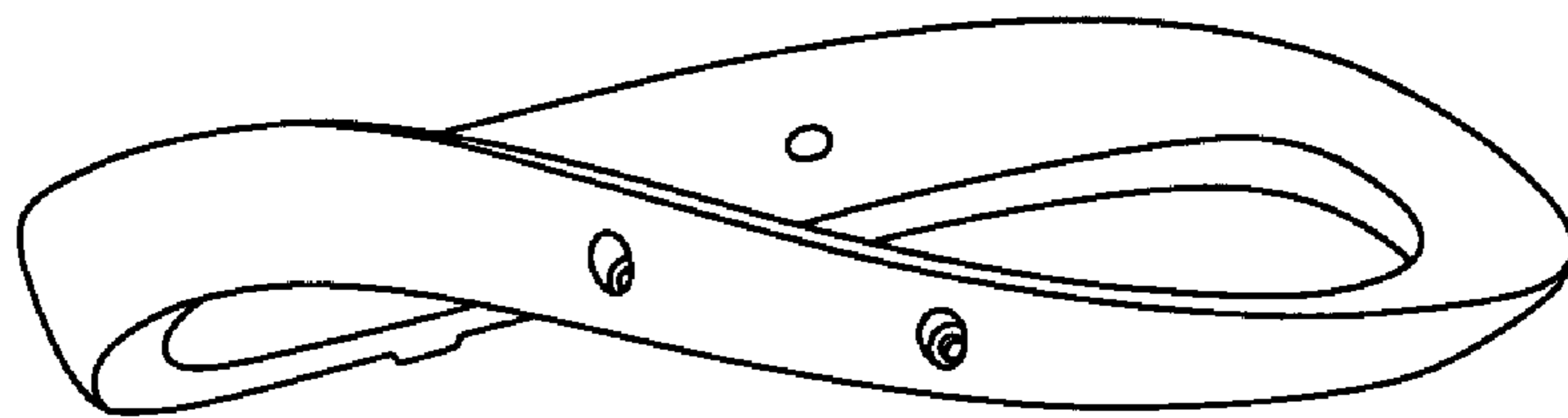
*FIG. 2*



*FIG. 3*



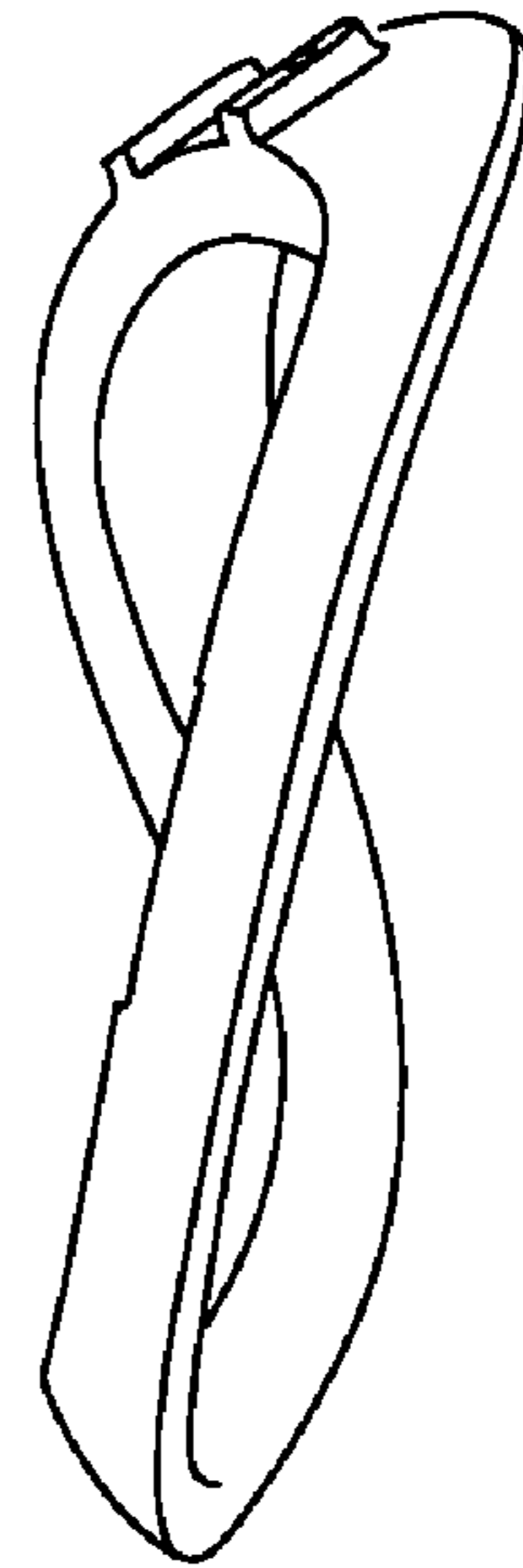
*FIG. 4*



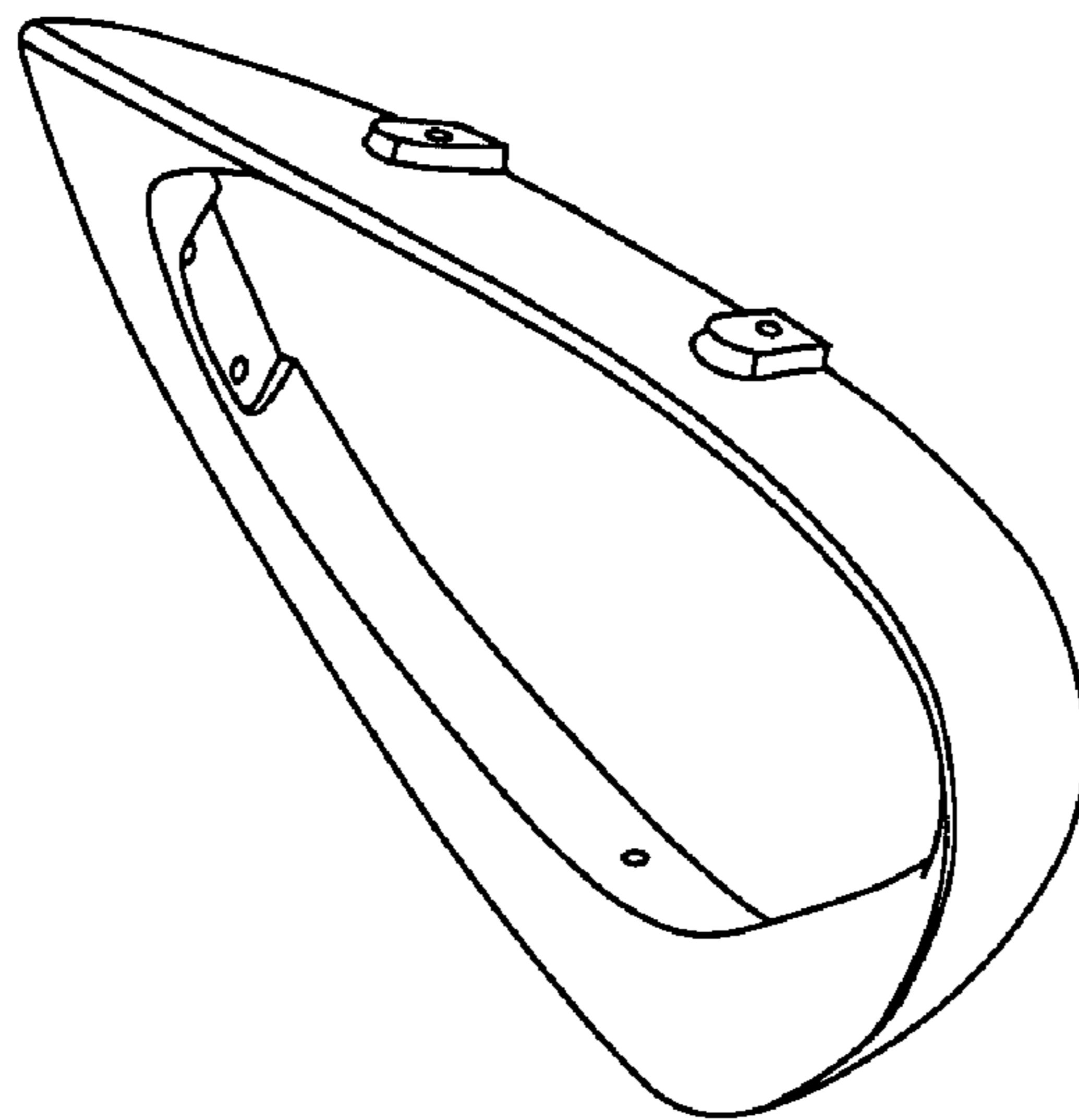
*FIG. 5*



*FIG. 6*



*FIG. 7*



*FIG. 8*