



US00D561501S

(12) **United States Design Patent** (10) **Patent No.:** **US D561,501 S**
Joseph (45) **Date of Patent:** **** Feb. 12, 2008**

(54) **CHAIR**
(75) Inventor: **Jean Joseph**, Chicago, IL (US)
(73) Assignee: **Chicago Textile Corporation**, Chicago, IL (US)
(**) Term: **14 Years**
(21) Appl. No.: **29/281,727**
(22) Filed: **Jun. 29, 2007**

5,499,857 A 3/1996 Lynch, Jr.
D397,264 S 8/1998 Joseph
RE36,335 E 10/1999 Perry
6,003,948 A 12/1999 Holbrook
D479,415 S * 9/2003 Berry et al. D6/495
D495,504 S * 9/2004 Sorkin D6/349
D504,805 S * 5/2005 Sorkin D8/356

Related U.S. Application Data

(62) Division of application No. 29/222,371, filed on Jan. 28, 2005.
(51) **LOC (8) Cl.** **06-01**
(52) **U.S. Cl.** **D6/500**
(58) **Field of Classification Search** D6/500,
D6/334-336, 341, 349, 364-367, 377-379,
D6/495, 498, 501-502; 297/411.2, 411.27,
297/411.28, 411.36, 452.3, 452.29
See application file for complete search history.

References Cited

U.S. PATENT DOCUMENTS

D171,176 S 12/1953 Yellen
2,689,602 A 9/1954 Morgan
D188,490 S 8/1960 LoVico
D237,673 S 11/1975 Uchida
D239,581 S 4/1976 Cuneo et al.
D244,646 S 6/1977 Uchida
D246,620 S 12/1977 Dranger et al.
4,318,556 A 3/1982 Rowland
4,421,356 A 12/1983 Singer
D282,985 S 3/1986 Cronk
D285,028 S 8/1986 McBride

OTHER PUBLICATIONS

<http://www.chicagotextile.com>, Milan Puff Chair, Sep. 30, 2005.*
<http://www.target.com>, Stockholm Upholstered Ottoman Collection, Feb. 2, 2007.*
Advertisement Tripolina Armchair designed in 1877, sold since 1952.
Catalog p. 1, Casual Furniture collection by Gold Medal, 1977.
Catalog pp. 23 and 25, CB 1996.
2 pages of advertising brochures from Chicago Textile, 1998.
Chair illustrated in Spiegel catalog, pp. 300 and 331, Fall/Winter 1997.

* cited by examiner

Primary Examiner—Robert M. Spear
Assistant Examiner—Katrina A Kile
(74) *Attorney, Agent, or Firm*—Leydig, Voit & Mayer, Ltd.

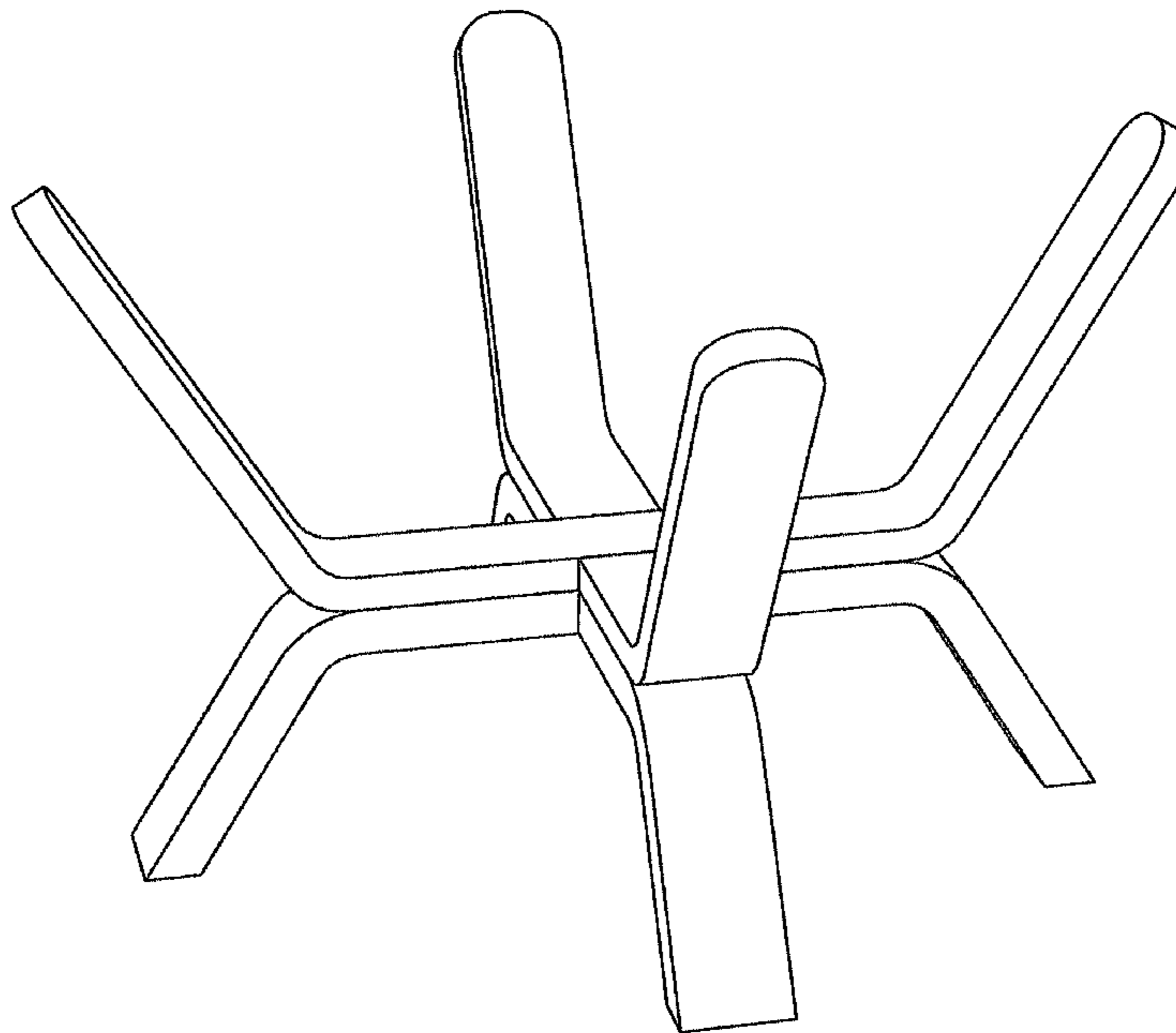
CLAIM

(57) The ornamental design for a chair, as shown and described.

DESCRIPTION

FIG. 1 is a perspective view of a chair, without a seat pad, showing my new design;
FIG. 2 shows the front, side and rear views of FIG. 1;
FIG. 3 is a top view of FIG. 1; and,
FIG. 4 is a bottom view of FIG. 1.

1 Claim, 4 Drawing Sheets



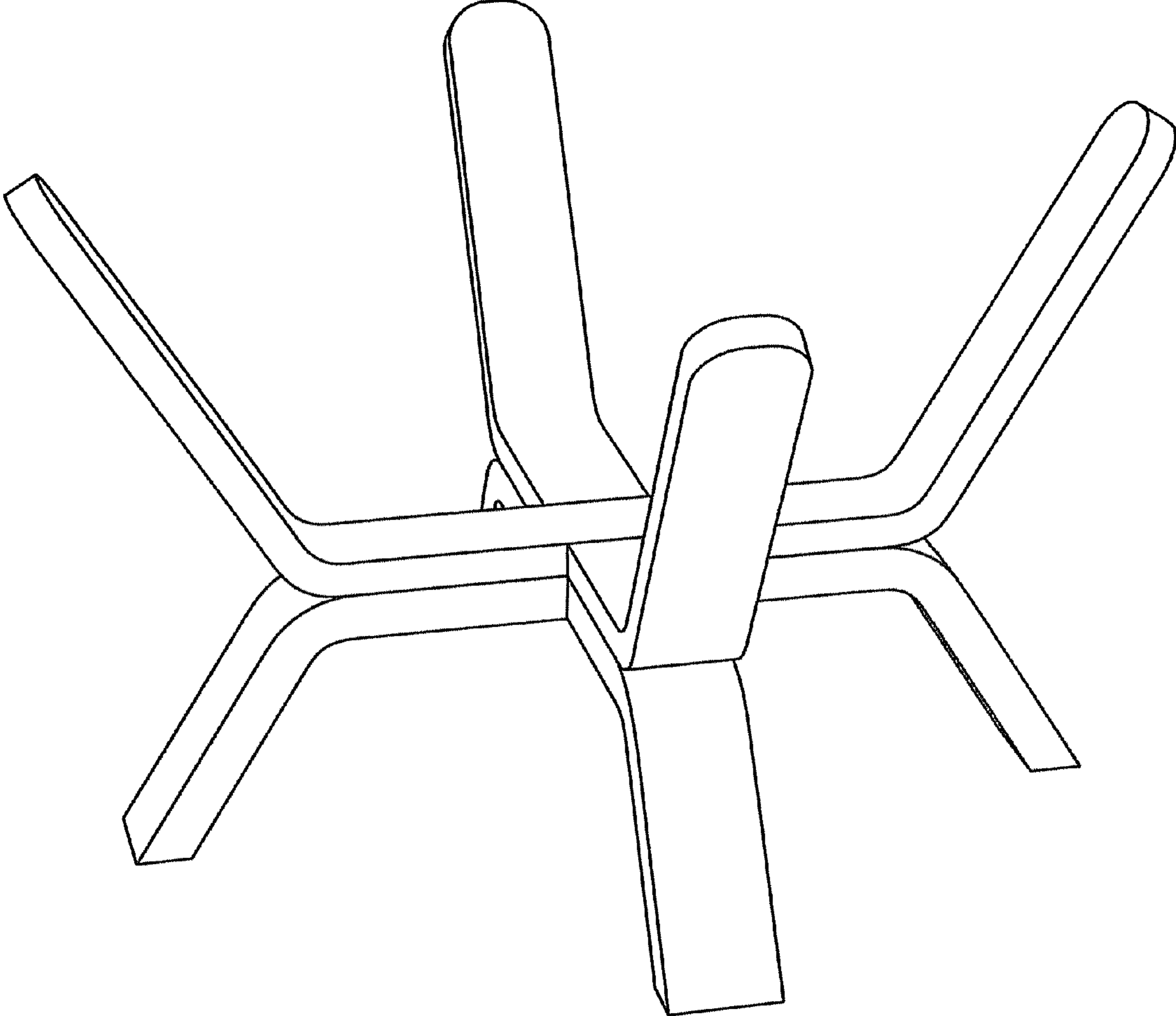


FIG. 1

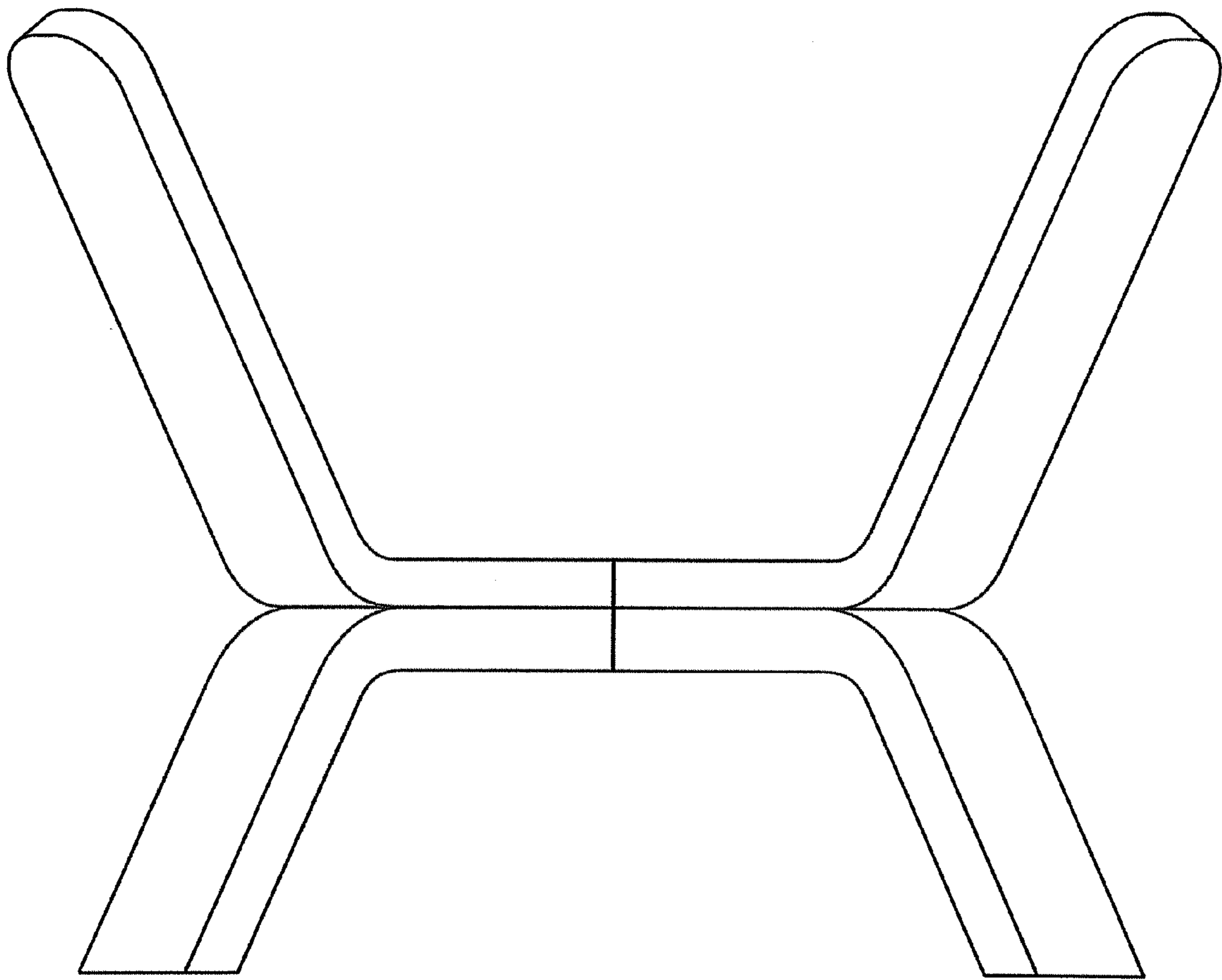


FIG. 2

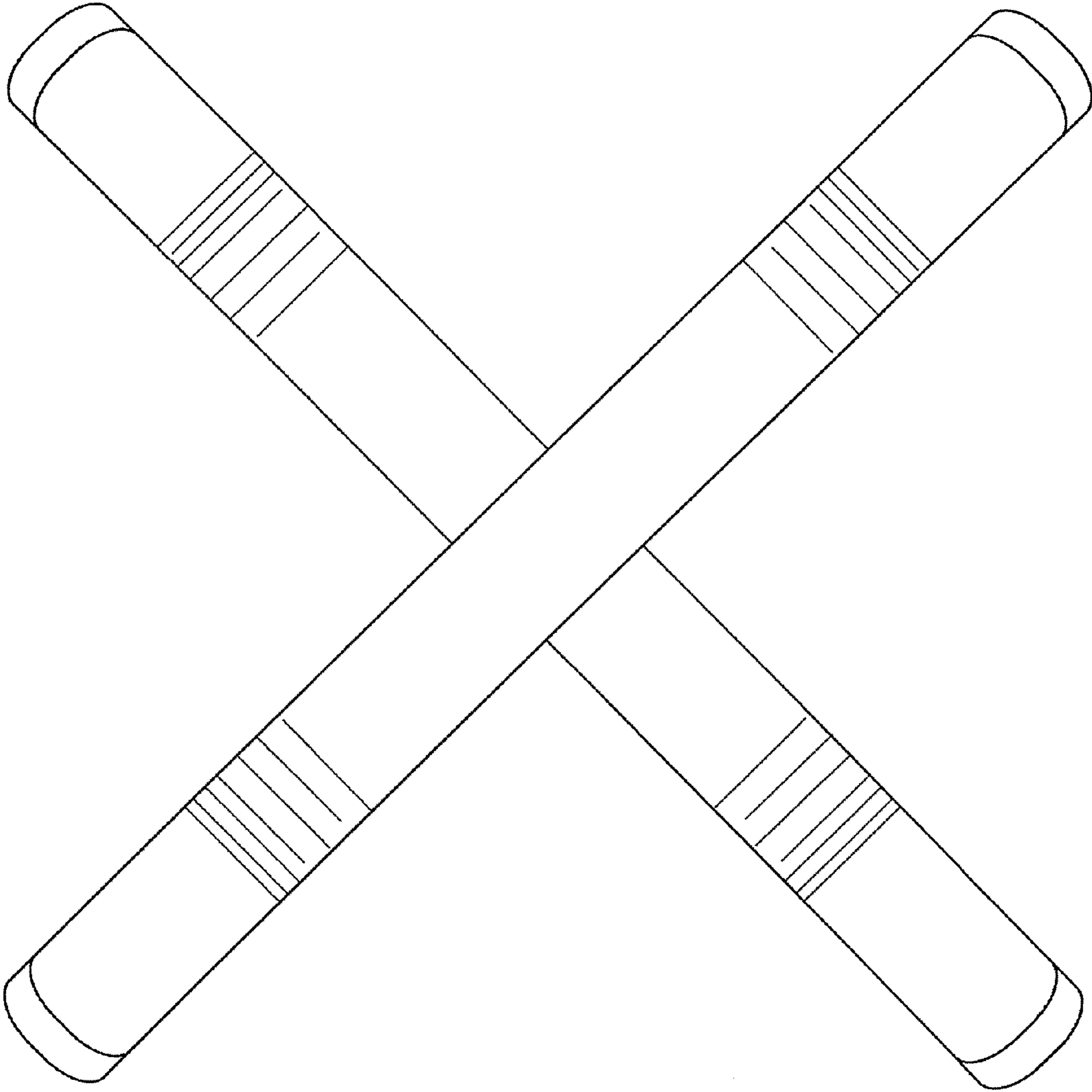


FIG. 3

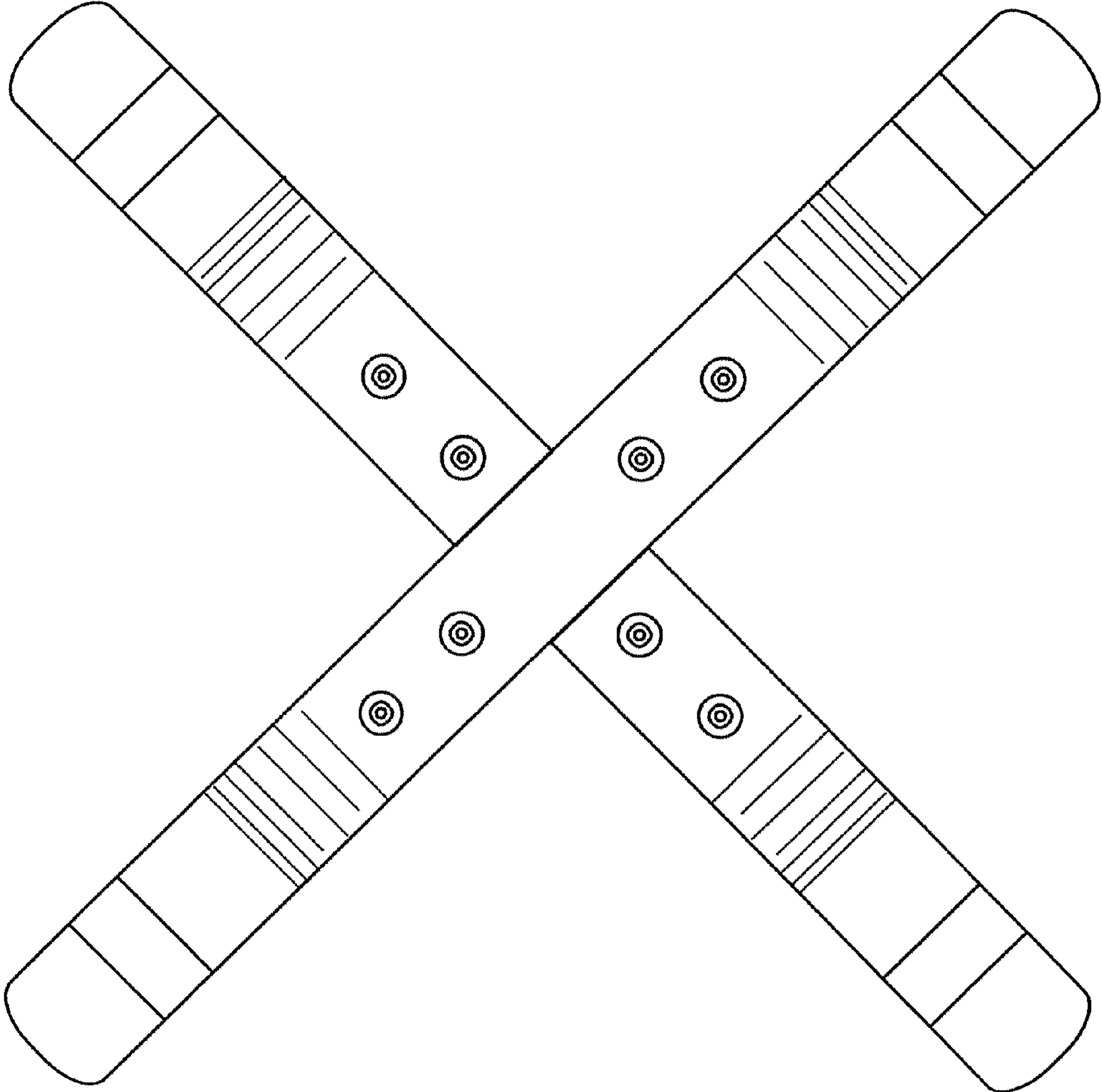


FIG. 4