

US00D561500S

(12) **United States Design Patent** (10) **Patent No.:** **US D561,500 S**
Kane et al. (45) **Date of Patent:** **** Feb. 12, 2008**

(54) **FRAME FOR A SEATING UNIT**
(75) Inventors: **Brian J. Kane**, San Francisco, CA
(US); **Kirt D. Martin**, Alto, MI (US)
(73) Assignee: **Steelcase Development Corporation**,
Caledonia, MI (US)
(**) Term: **14 Years**

D417,970 S 12/1999 Duffy
6,109,696 A 8/2000 Newhouse et al.
D432,806 S 10/2000 Gomez
D433,578 S 11/2000 Saul
D436,751 S 1/2001 Schacht
D438,398 S 3/2001 Frinier
6,250,718 B1 6/2001 Newhouse et al.
D446,037 S 8/2001 Koepke et al.
D456,164 S 4/2002 Vanderiet et al.
D470,322 S 2/2003 Tsai

(21) Appl. No.: **29/281,629**
(22) Filed: **Jun. 27, 2007**

Related U.S. Application Data

(62) Division of application No. 29/231,526, filed on Jun. 7, 2005, now Pat. No. Des. 549,979.

(51) **LOC (8) Cl.** **06-06**
(52) **U.S. Cl.** **D6/500**
(58) **Field of Classification Search** D6/334-336,
D6/371-374, 376, 379, 380, 491, 499; 297/445.1,
297/446.1, 452.18, 452.2

See application file for complete search history.

(56) **References Cited**

U.S. PATENT DOCUMENTS

D113,191 S 1/1939 Salomon
D202,775 S 11/1965 Rowland
3,275,371 A 9/1966 Rowland
D236,395 S 8/1975 Kinsman
4,305,617 A 12/1981 Benoit
D300,189 S 3/1989 Frinier
D314,285 S 2/1991 Favaretto
D344,418 S 2/1994 Favaretto
D347,124 S 5/1994 Lowsky
D400,023 S 10/1998 Olson
D405,285 S 2/1999 Balderi et al.
D411,925 S 7/1999 Frinier
RE36,335 E 10/1999 Perry

OTHER PUBLICATIONS

Exhibit A is a brochure disclosing several chairs including a side chair called the Jersey chair, made by Steelcase Development Corporation, the assignee of the present application.

Primary Examiner—Mimosa De

(74) *Attorney, Agent, or Firm*—Price, Heneveld, Cooper, DeWitt & Litton LLP

(57) **CLAIM**

We claim the ornamental design for frame for a seating unit, as shown.

DESCRIPTION

FIG. 1 is a perspective view of a frame for a seating unit embodying the present invention;

FIG. 2 is a front view of the frame for a seating unit shown in FIG. 1;

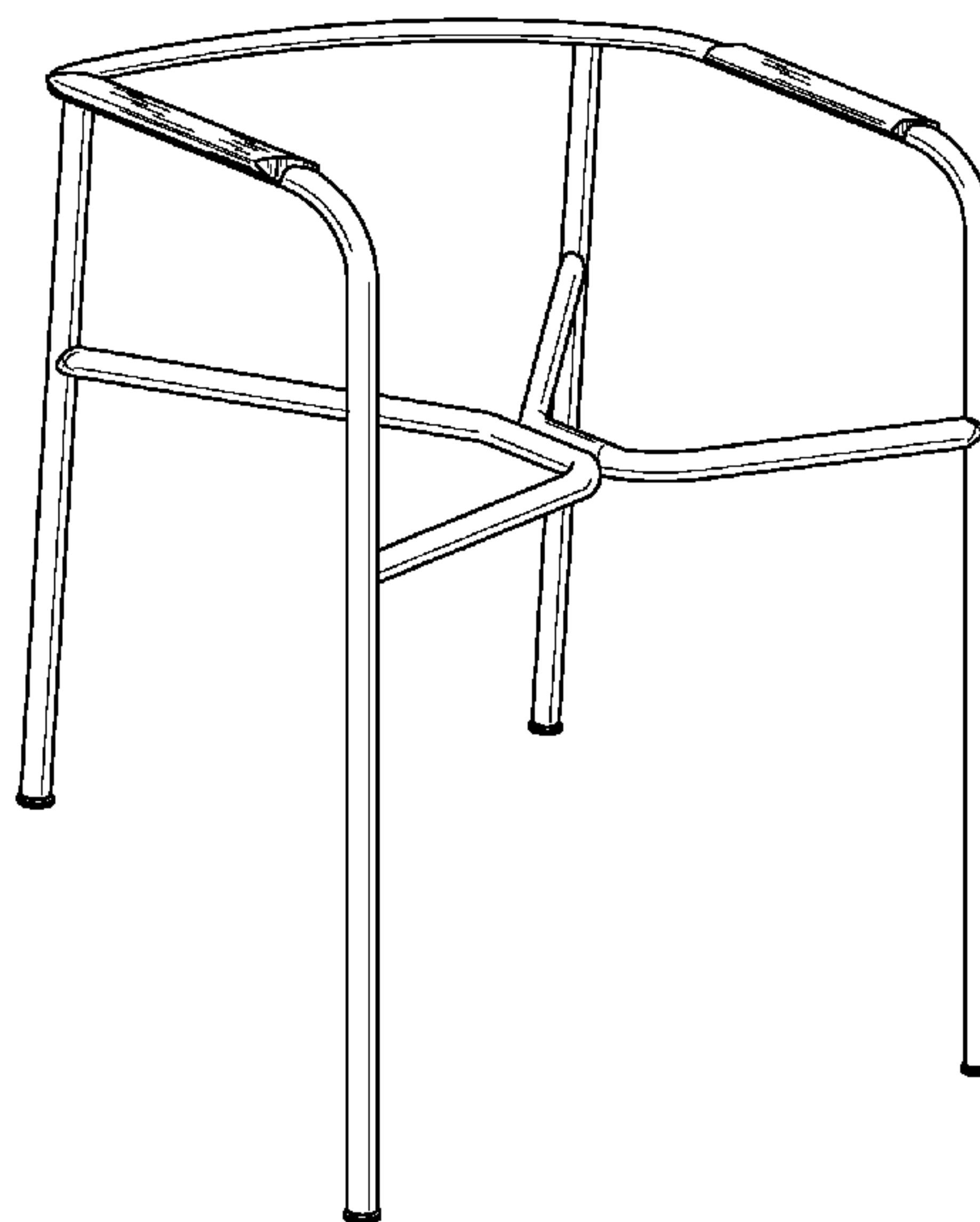
FIG. 3 is a right side view of the frame for a seating unit shown in FIG. 1, the left side being a mirror image thereof;

FIG. 4 is a rear view of the frame for a seating unit shown in FIG. 1;

FIG. 5 is a top view of the frame for a seating unit shown in FIG. 1; and,

FIG. 6 is a bottom view of the frame for a seating unit shown in FIG. 1.

1 Claim, 3 Drawing Sheets



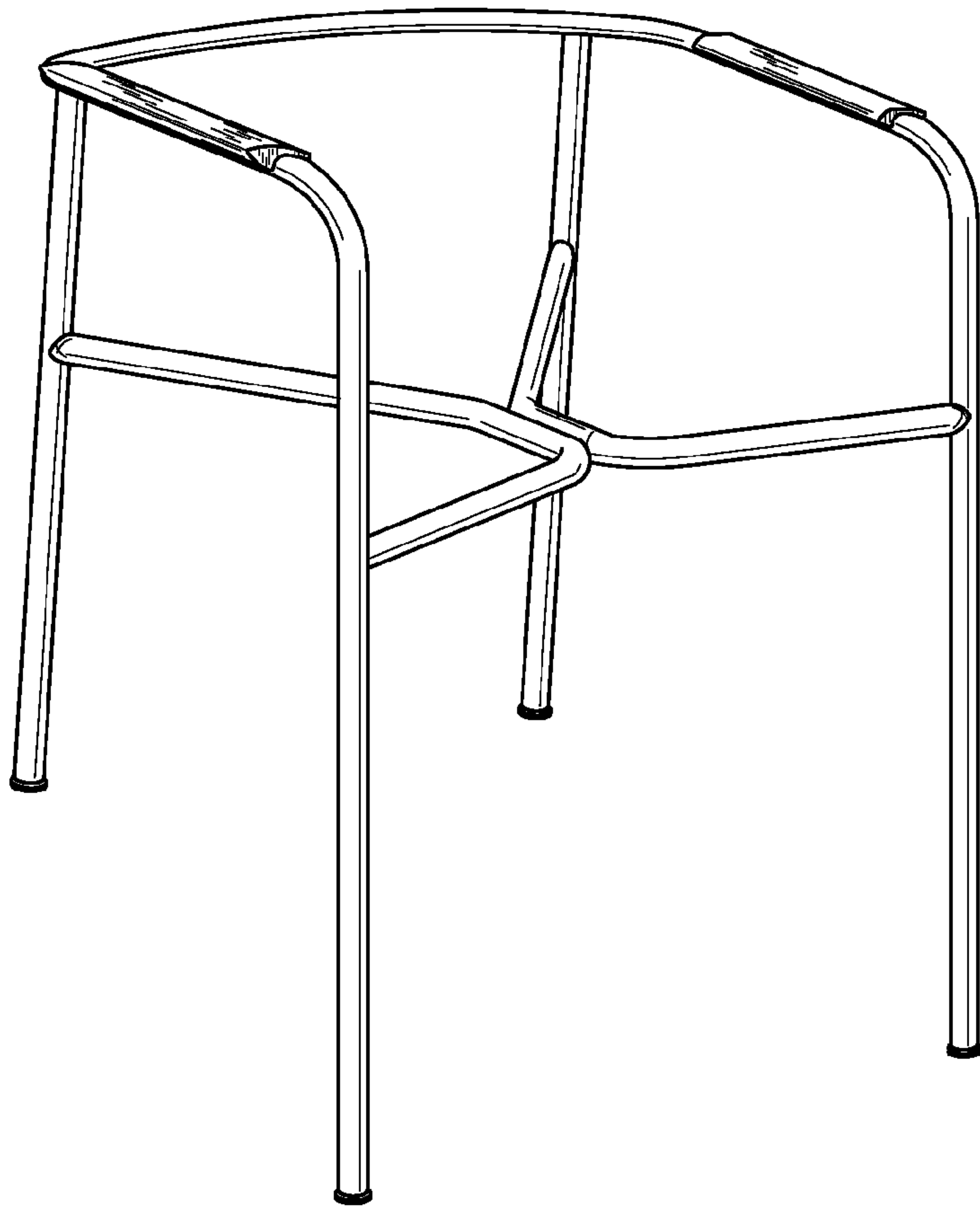


FIG. 1

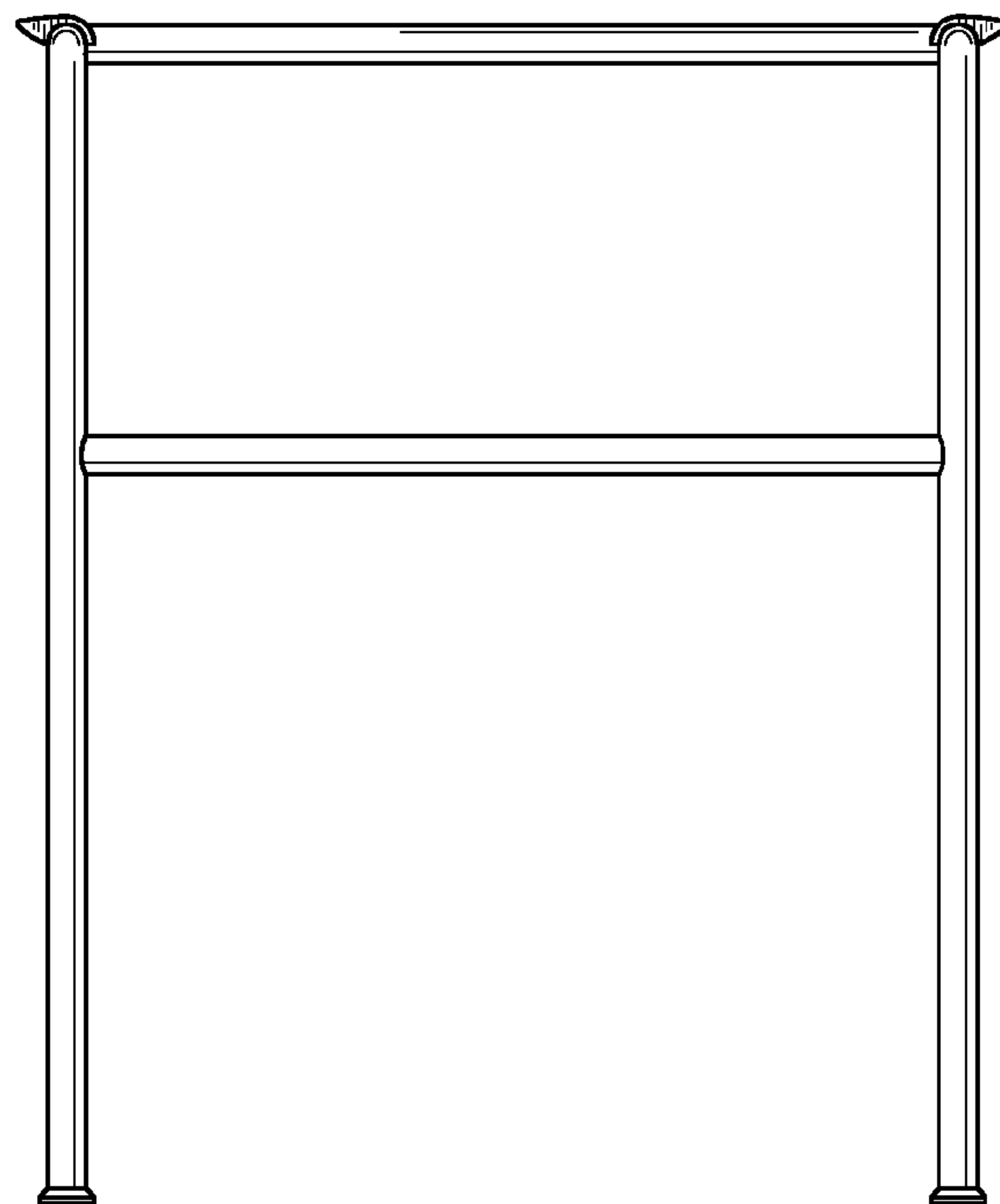


FIG. 2

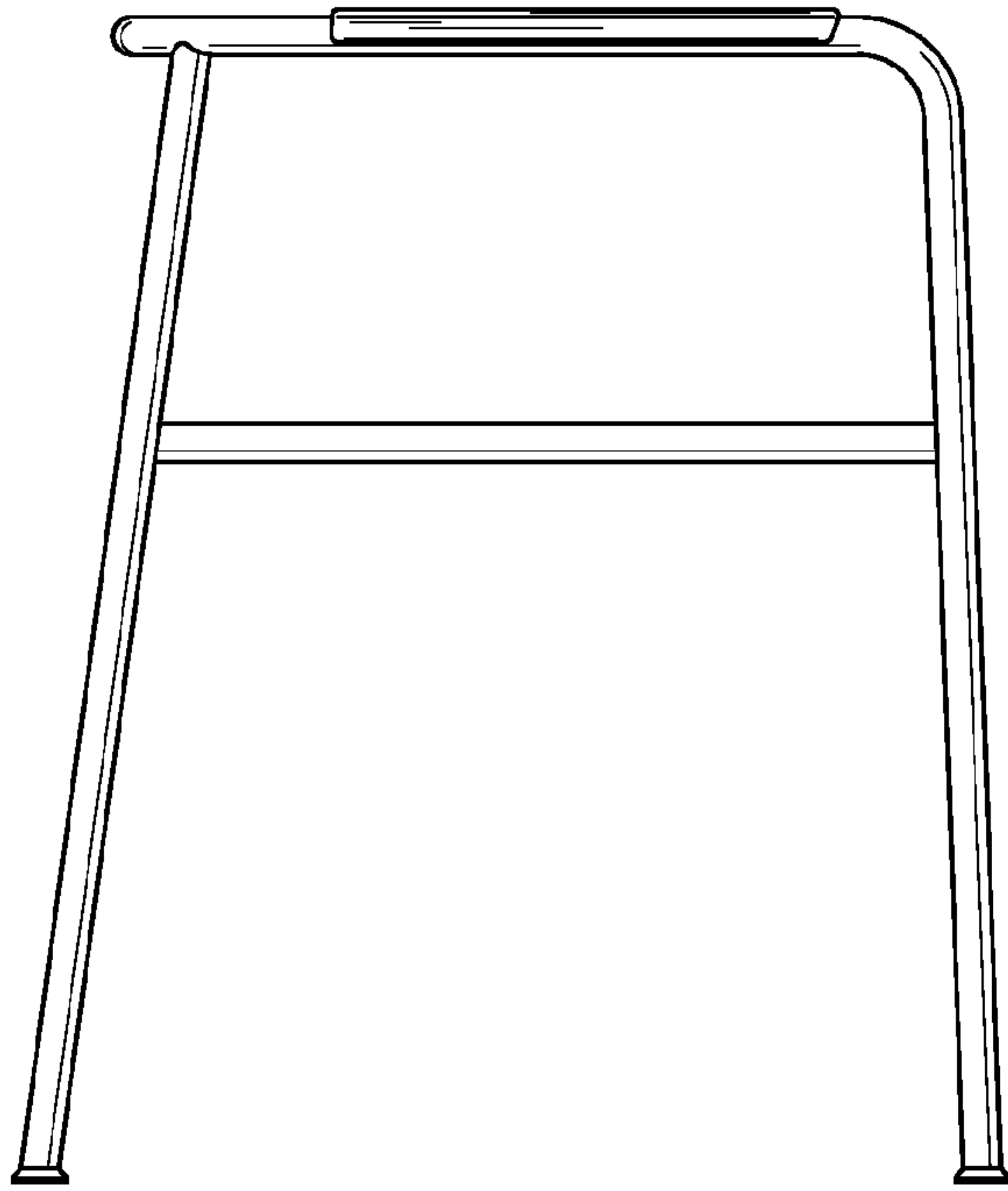


FIG. 3

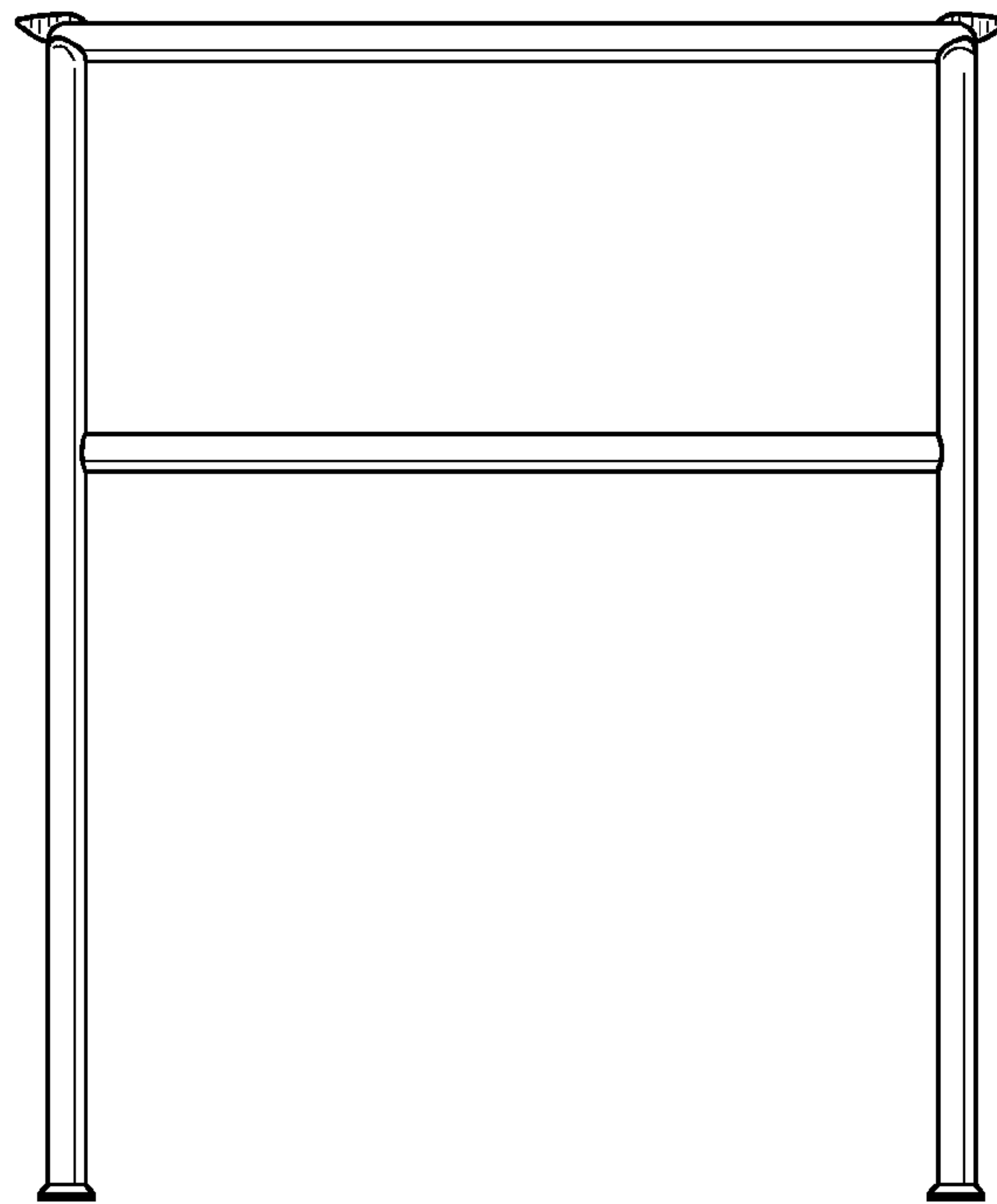


FIG. 4

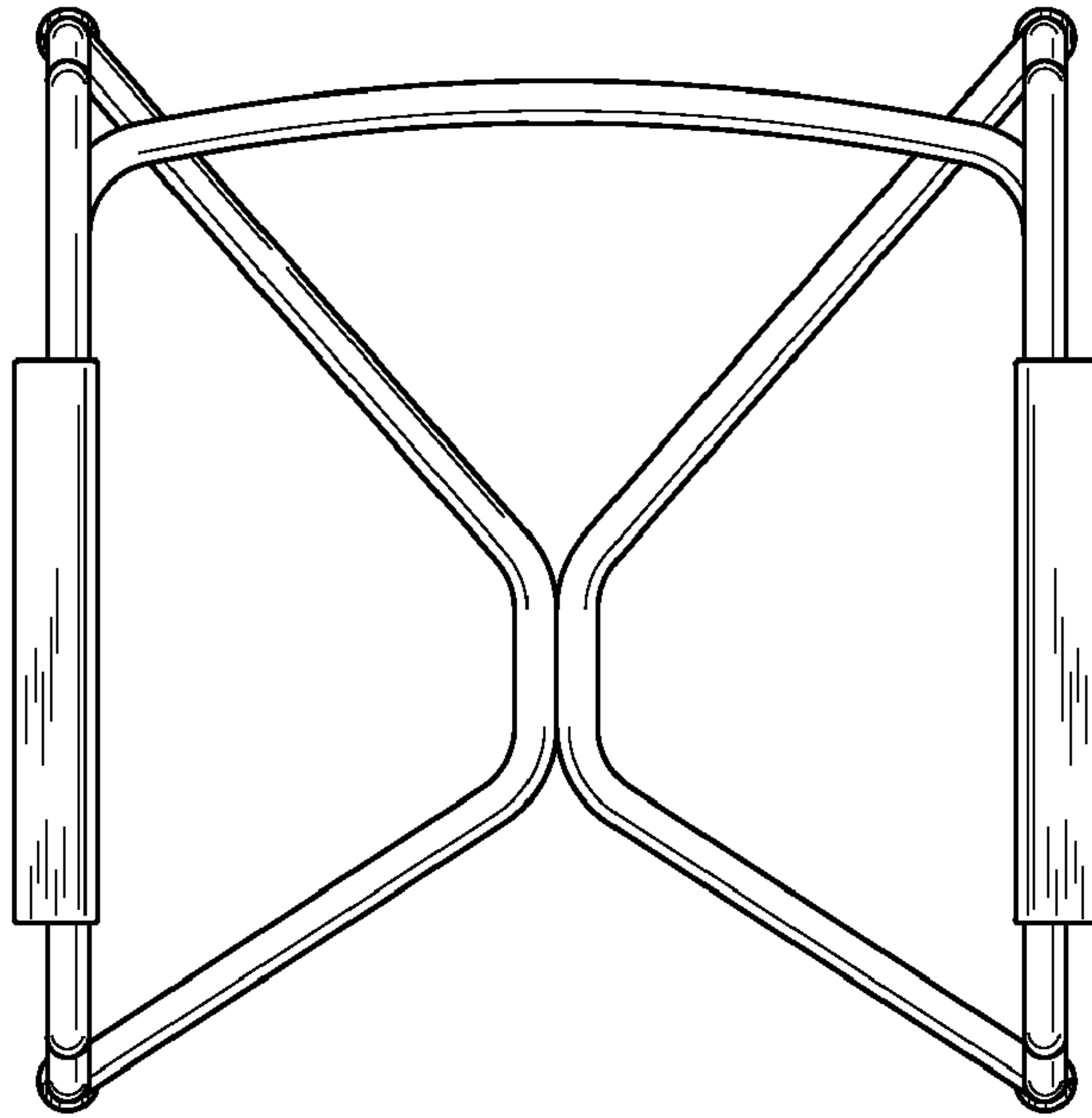


FIG. 5

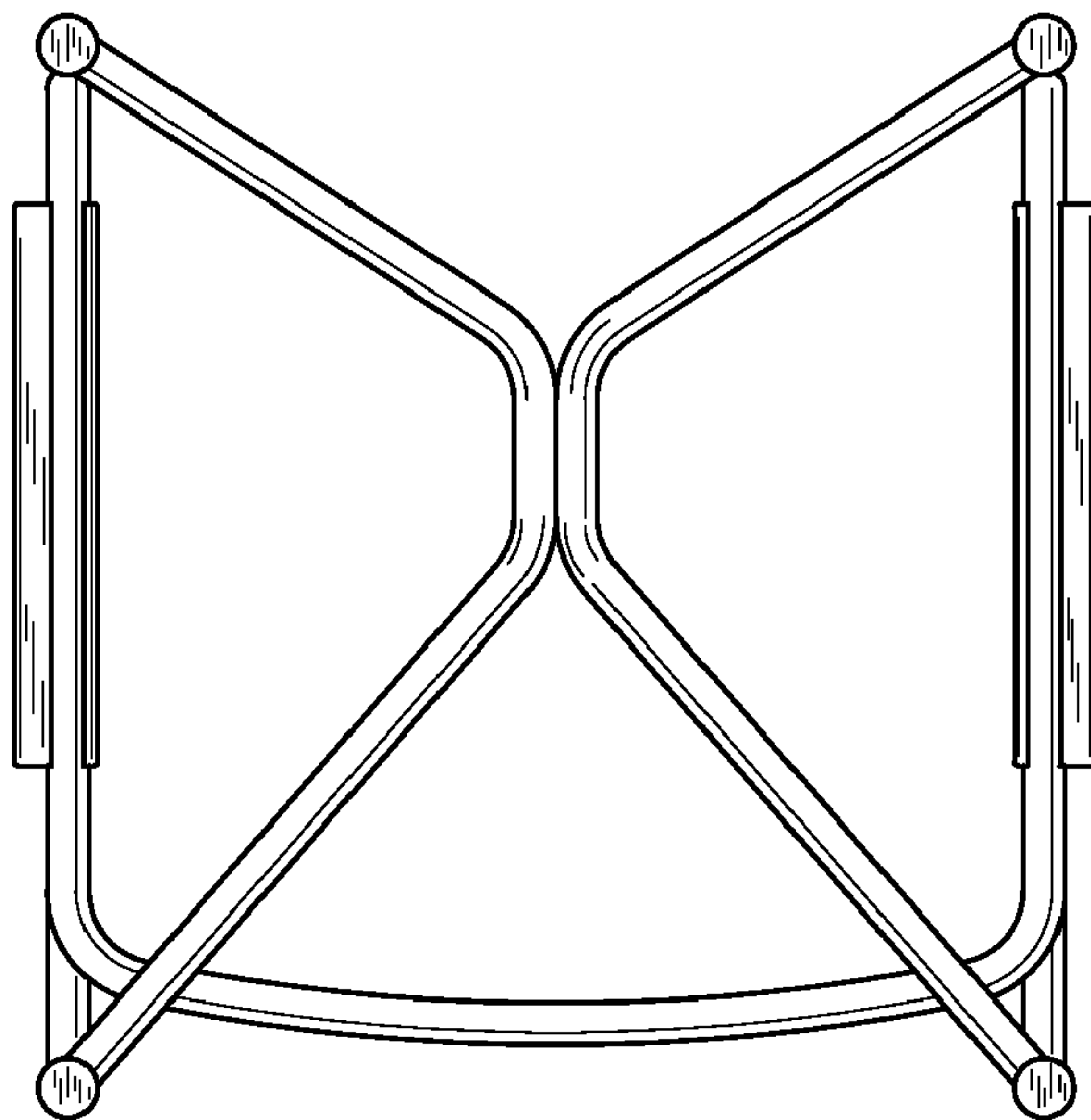


FIG. 6