



US00D561498S

(12) **United States Design Patent**
Egger

(10) **Patent No.:** **US D561,498 S**

(45) **Date of Patent:** **** Feb. 12, 2008**

(54) **CHAIR BASE**

(75) Inventor: **Julien Egger**, Santa Monica, CA (US)

(73) Assignee: **True Seating Concepts, LLC** (MU)

(**) Term: **14 Years**

(21) Appl. No.: **29/288,197**

(22) Filed: **Jun. 4, 2007**

(51) **LOC (8) Cl.** **06-06**

(52) **U.S. Cl.** **D6/498**

(58) **Field of Classification Search** D6/334-336,
D6/364, 365, 366, 367, 498, 500-502; 248/188.7;
297/344.18, 358, 411.2, 411.27, 411.28, 463.1
See application file for complete search history.

(56) **References Cited**

U.S. PATENT DOCUMENTS

D458,060 S *	6/2002	Vo	D6/498
D493,986 S *	8/2004	Fu	D6/498
D525,462 S *	7/2006	Egger	D6/498
D544,731 S *	6/2007	Su	D6/498
D544,732 S *	6/2007	Mazzer	D6/498
D546,592 S *	7/2007	Egger	D6/498

* cited by examiner

Primary Examiner—Mimosa De

(74) *Attorney, Agent, or Firm*—Morland C. Fischer

(57) **CLAIM**

The ornamental design for a chair base, as shown and described.

DESCRIPTION

FIG. 1 is a perspective view showing the top, front and left side of a chair base which forms my new design, the broken lines showing other parts of a chair being for illustrative purposes only and forming no part of my design;

FIG. 2 is an enlarged top plan view thereof;

FIG. 3 is an enlarged rear elevational view thereof;

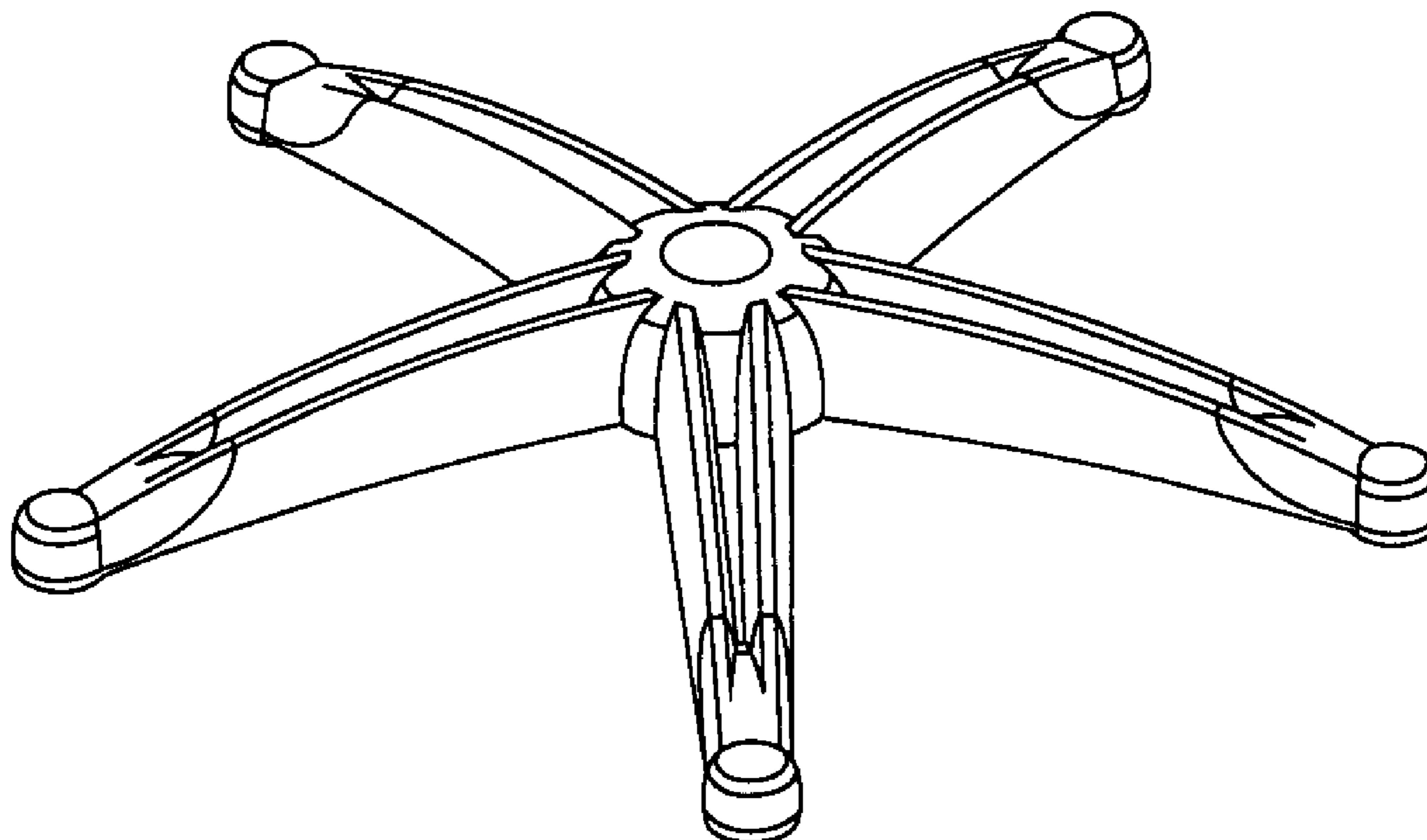
FIG. 4 is an enlarged front elevational view thereof;

FIG. 5 is an enlarged right side elevational view thereof;

FIG. 6 is an enlarged left side elevational view thereof; and,

FIG. 7 is an enlarged perspective view thereof showing the top, rear and right side thereof.

1 Claim, 3 Drawing Sheets



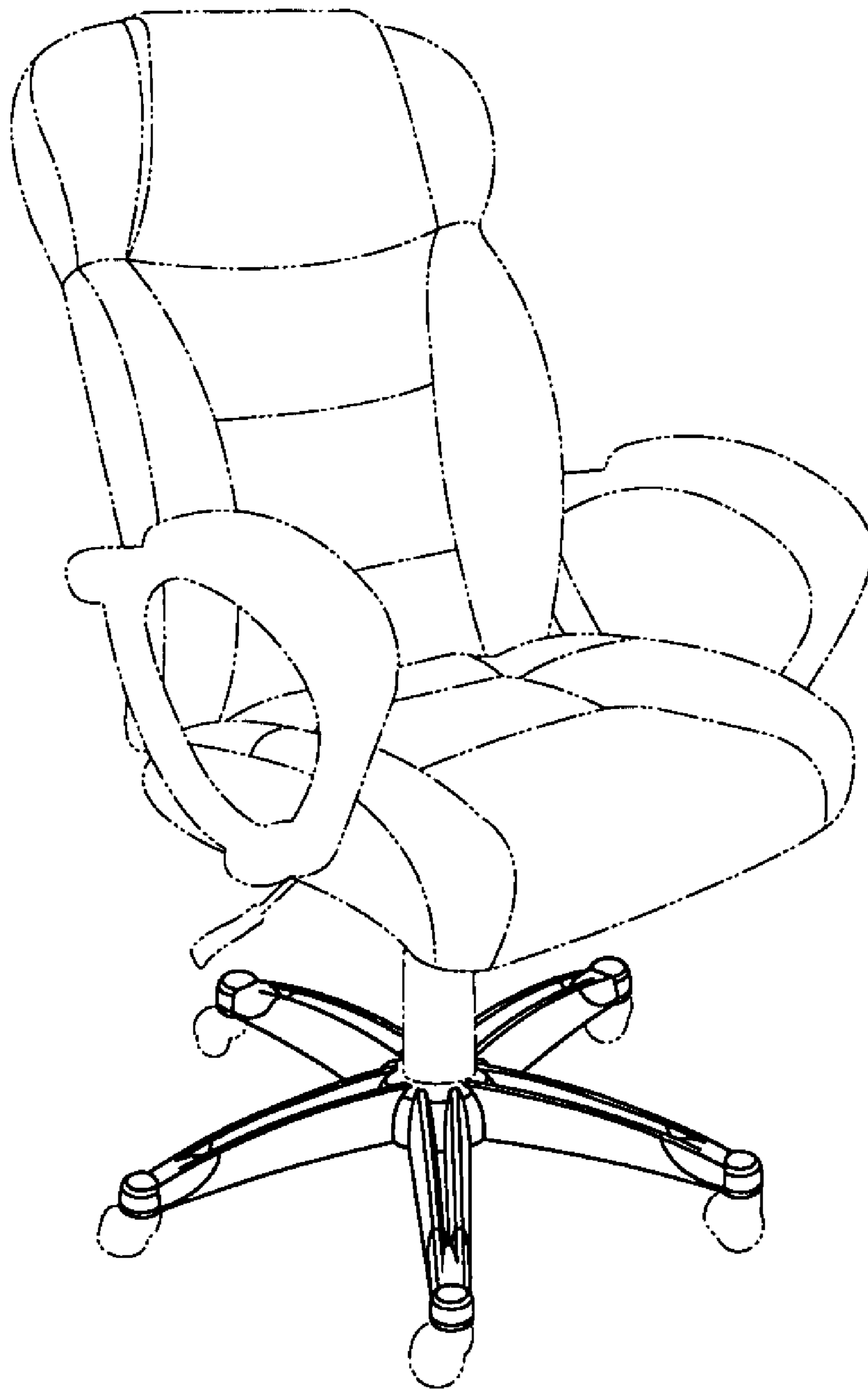


FIG. 1

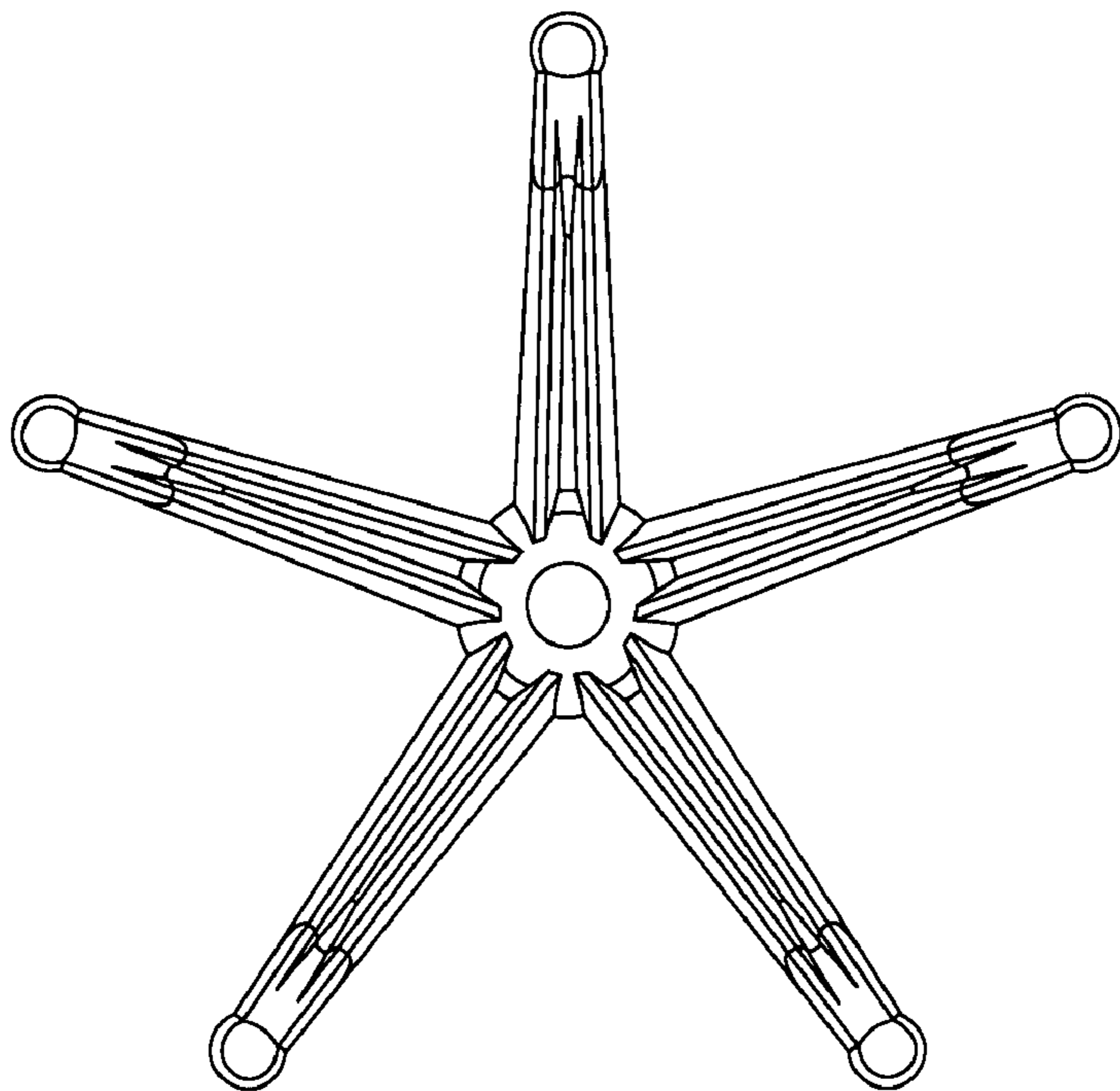


FIG. 2

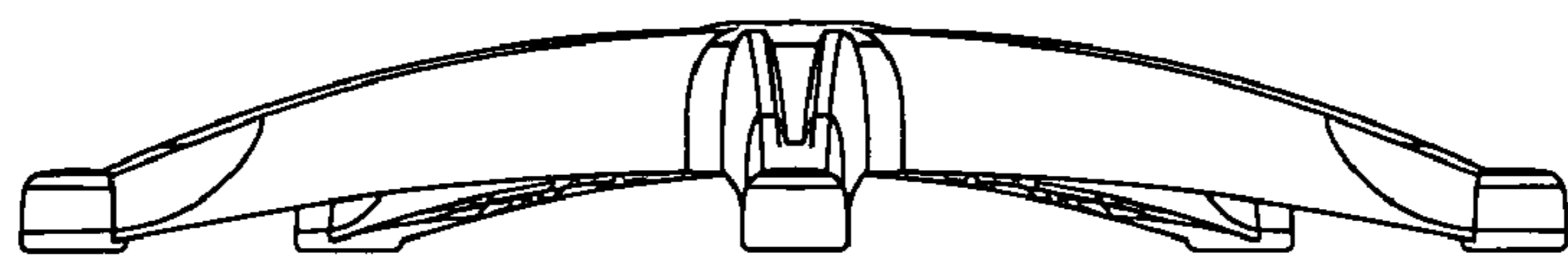


FIG. 3

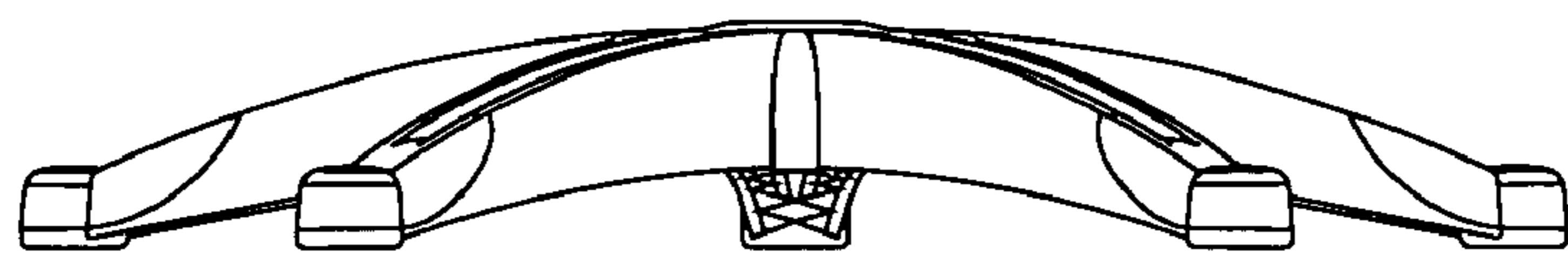


FIG. 4

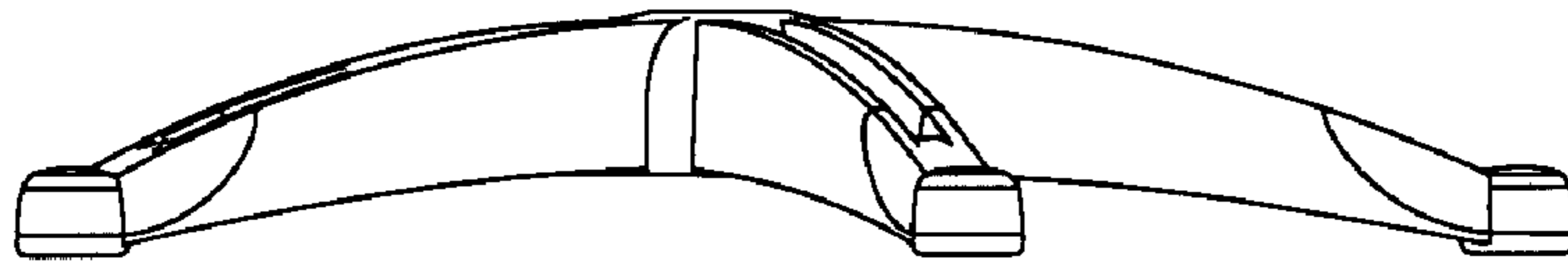


FIG. 5

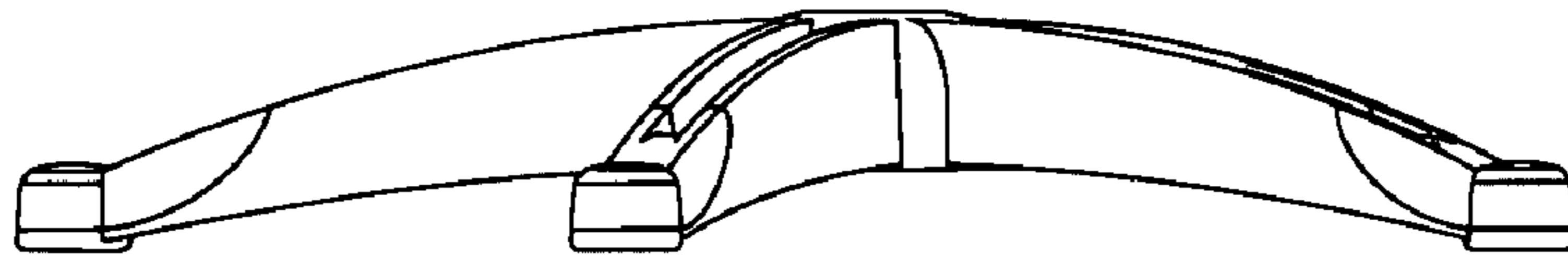


FIG. 6

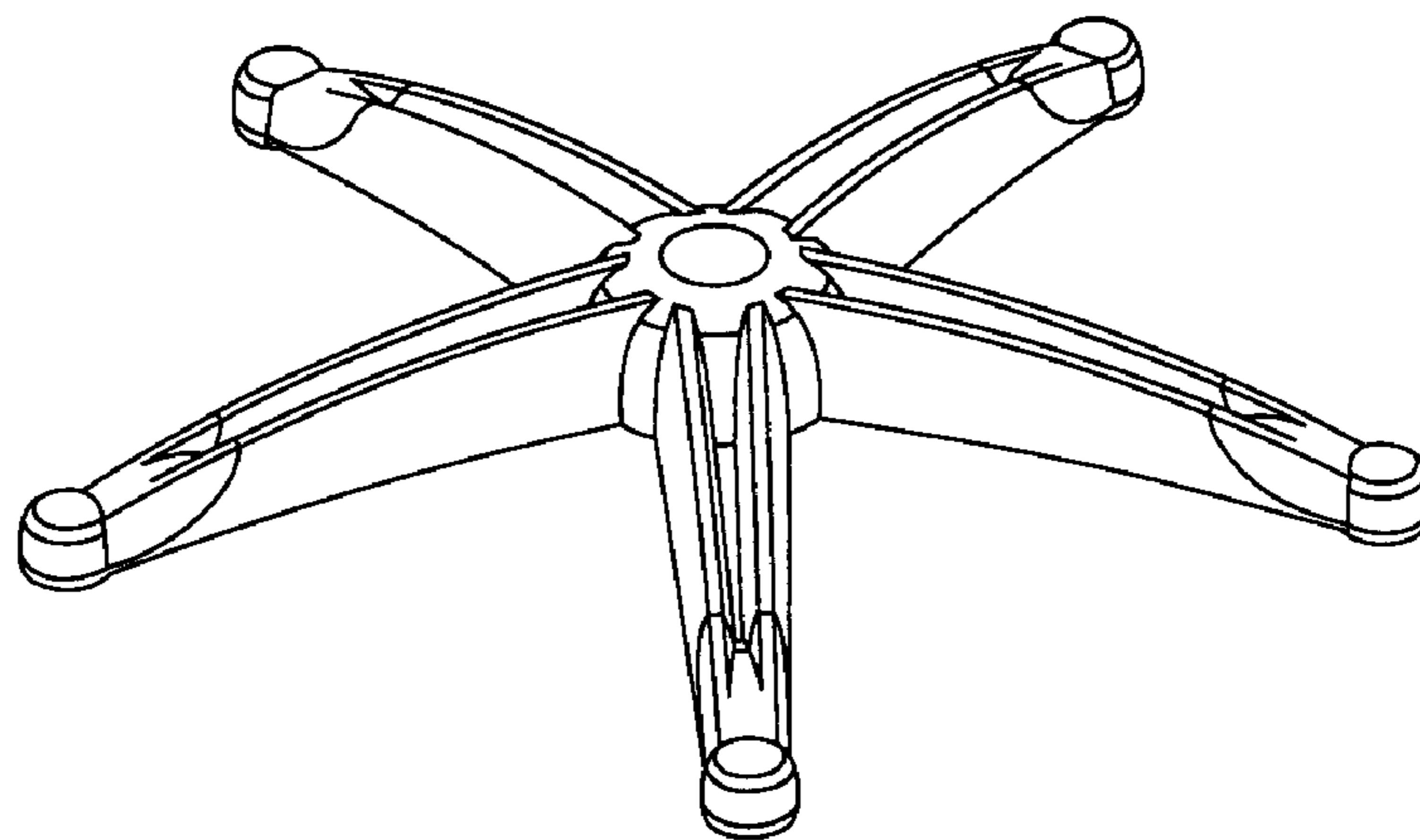


FIG. 7