



US00D561497S

(12) **United States Design Patent**  
**Alter Molina**

(10) **Patent No.:** **US D561,497 S**

(45) **Date of Patent:** **\*\* Feb. 12, 2008**

(54) **TABLE**

(75) Inventor: **Lievore Alter Molina**, Barcelona (ES)

(73) Assignee: **Arper S.p.A.**, Monastier di Treviso (IT)

(\*\*) Term: **14 Years**

(21) Appl. No.: **29/273,411**

(22) Filed: **Mar. 5, 2007**

**Related U.S. Application Data**

(62) Division of application No. 29/216,827, filed on Nov. 9, 2004, now Pat. No. Des. 543,732.

(30) **Foreign Application Priority Data**

May 14, 2004 (EM) ..... 183918

(51) **LOC (8) Cl.** ..... **06-03**

(52) **U.S. Cl.** ..... **D6/486**

(58) **Field of Classification Search** ..... D6/480-489,  
D6/495-499, 429, 511, 491, 477; 108/150,  
108/153.1, 155, 156, 161; 248/188, 188.1,  
248/188.7, 188.8

See application file for complete search history.

(56) **References Cited**

**U.S. PATENT DOCUMENTS**

D74,396 S \* 2/1928 Singer ..... D6/483

D164,295 S 8/1951 Gierlich  
3,223,056 A \* 12/1965 Wilburn ..... 108/150  
D218,422 S 8/1970 Crandall  
D363,399 S 10/1995 Wong  
D436,270 S \* 1/2001 Kane ..... D6/486  
D447,893 S 9/2001 Simonelli et al.  
D482,909 S \* 12/2003 Neggers ..... D6/486

\* cited by examiner

*Primary Examiner*—Janice E. Seeger

(74) *Attorney, Agent, or Firm*—Scully, Scott, Murphy & Presser, P.C.

(57) **CLAIM**

The ornamental design for a table, as shown and described.

**DESCRIPTION**

FIG. 1 is a perspective view of the table, according to the invention;

FIG. 2 is a front view thereof;

FIG. 3 is a rear view thereof;

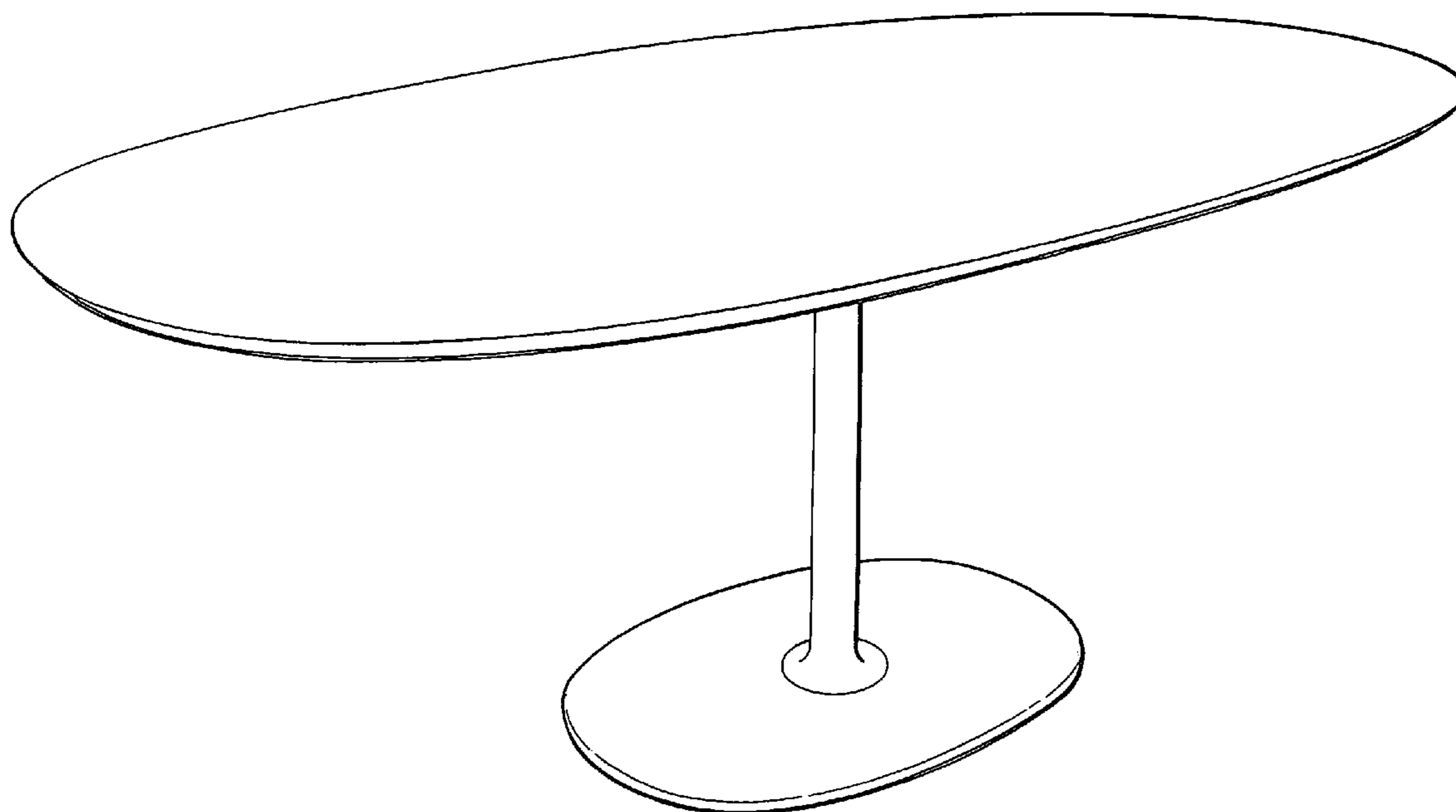
FIG. 4 is a left side view thereof;

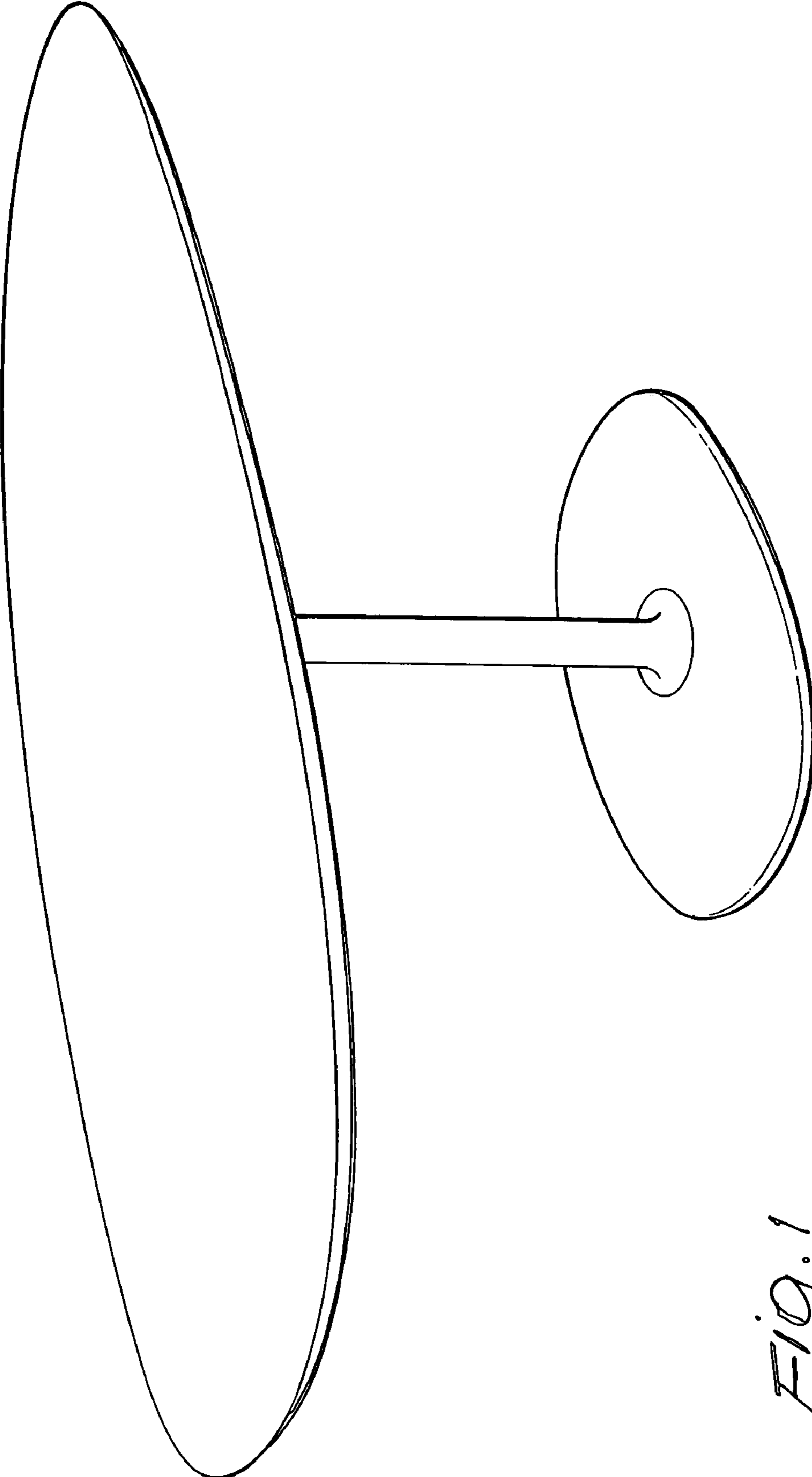
FIG. 5 is a right side view thereof;

FIG. 6 is a top view thereof; and,

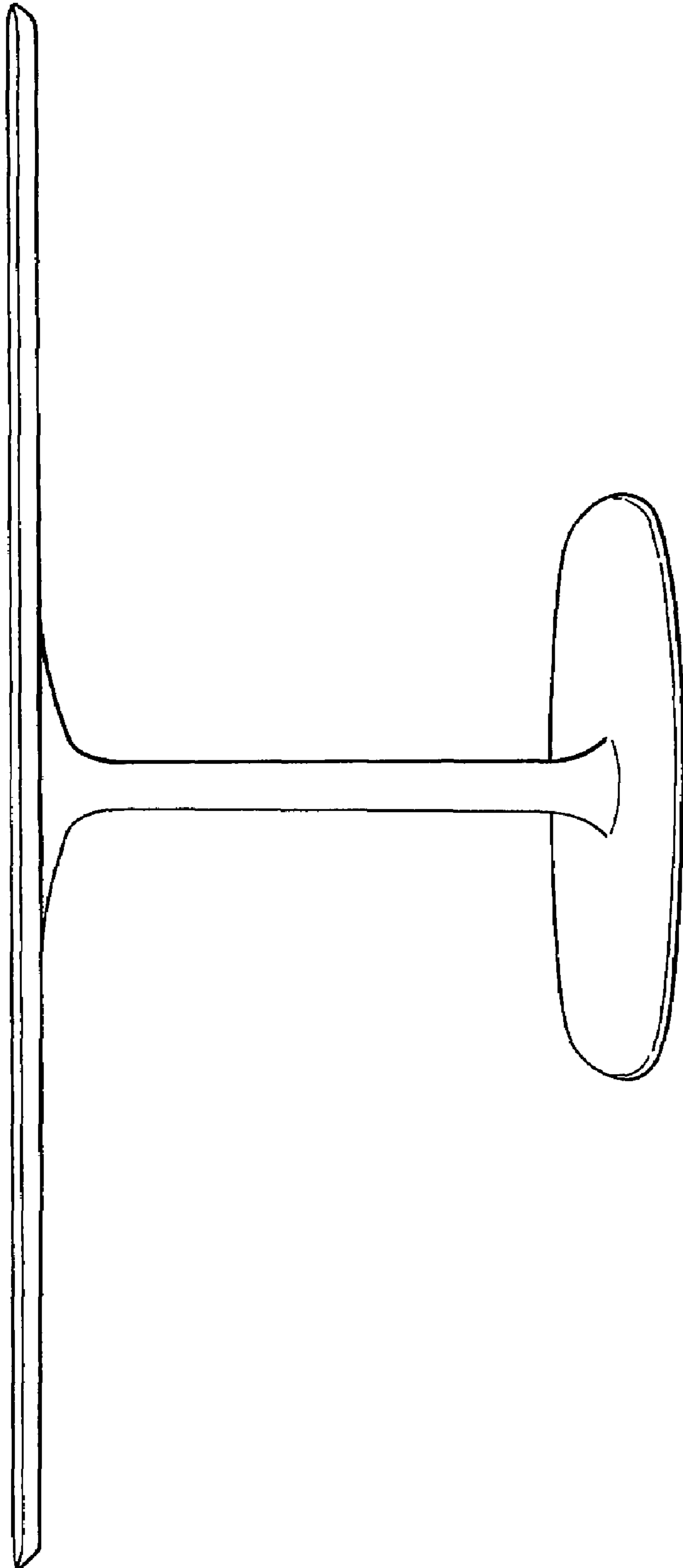
FIG. 7 is a bottom view thereof.

**1 Claim, 7 Drawing Sheets**

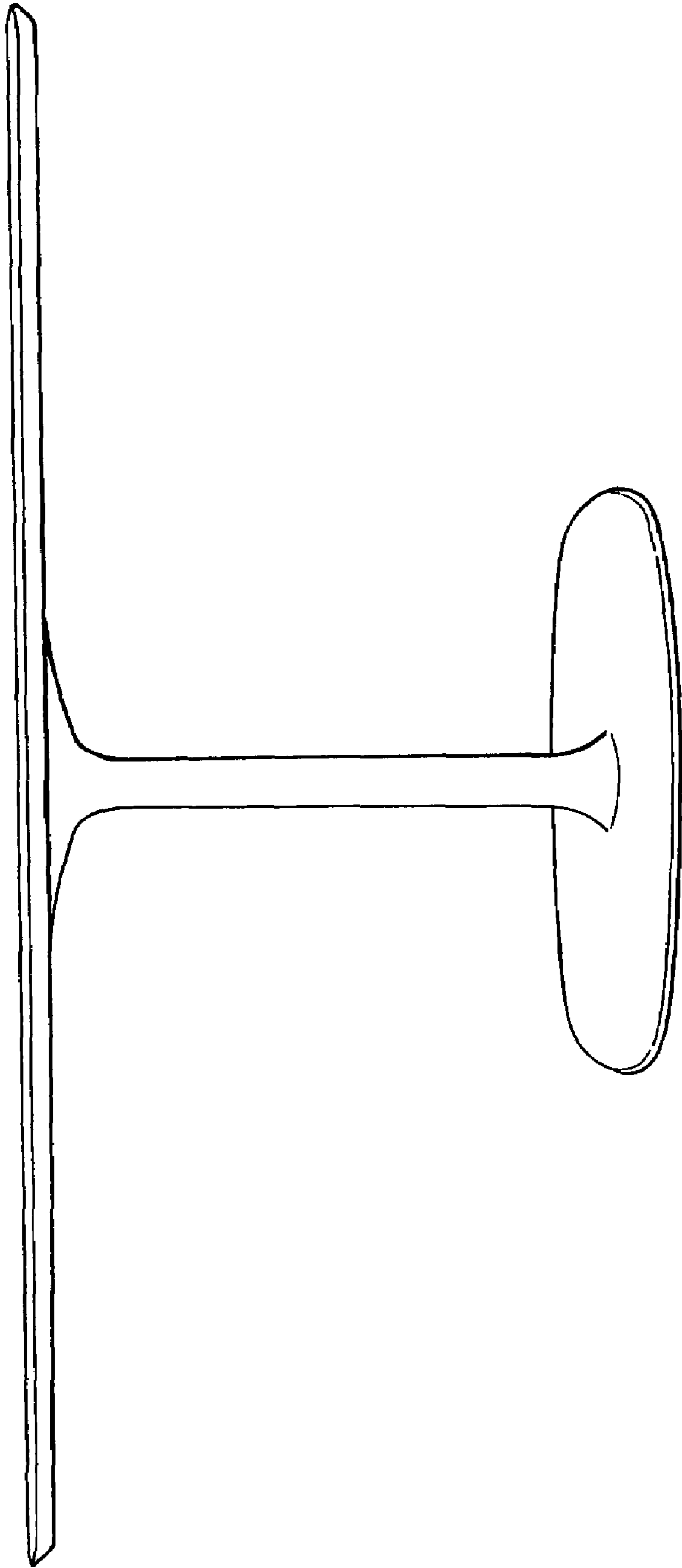




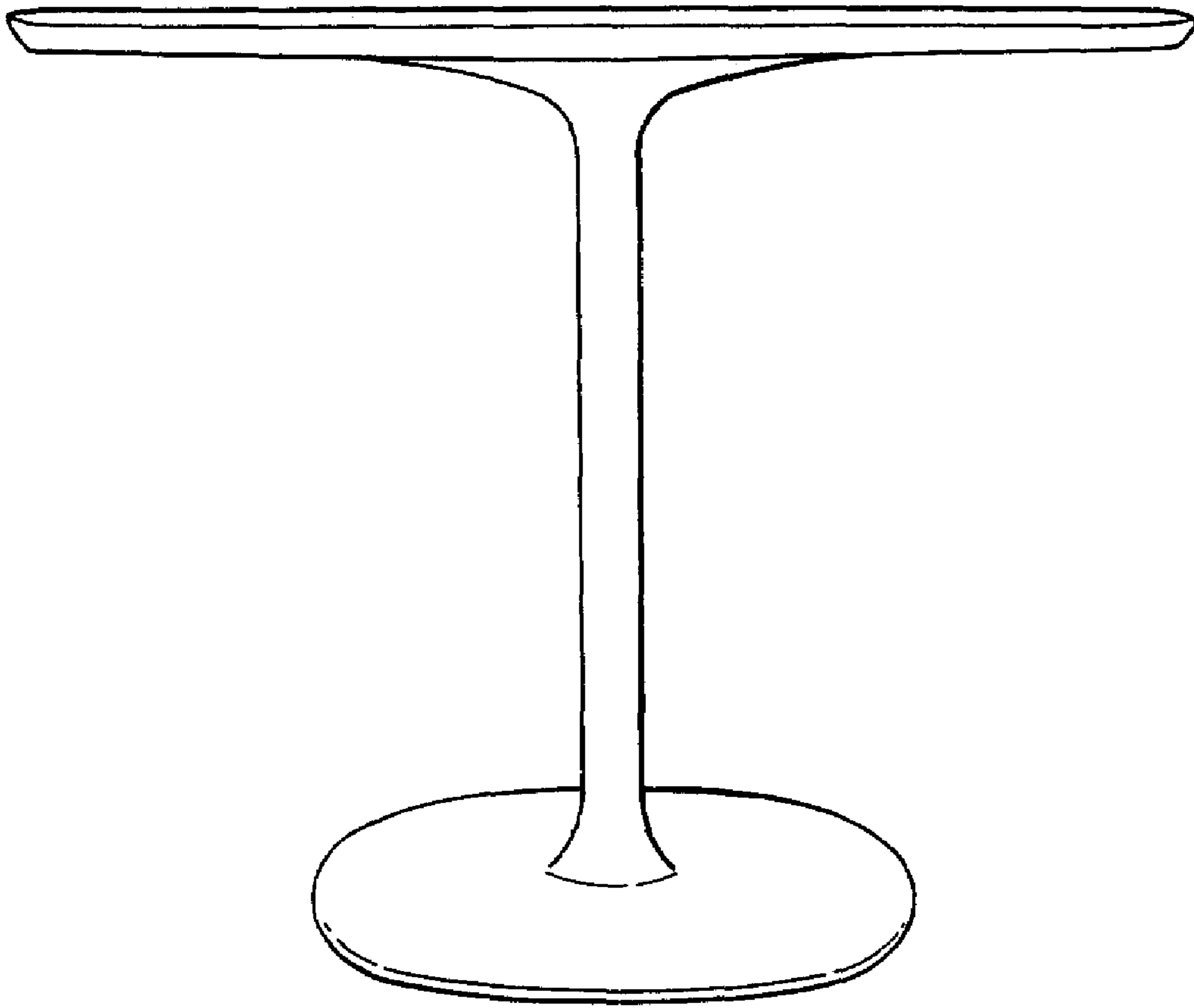
*Fig. 1*



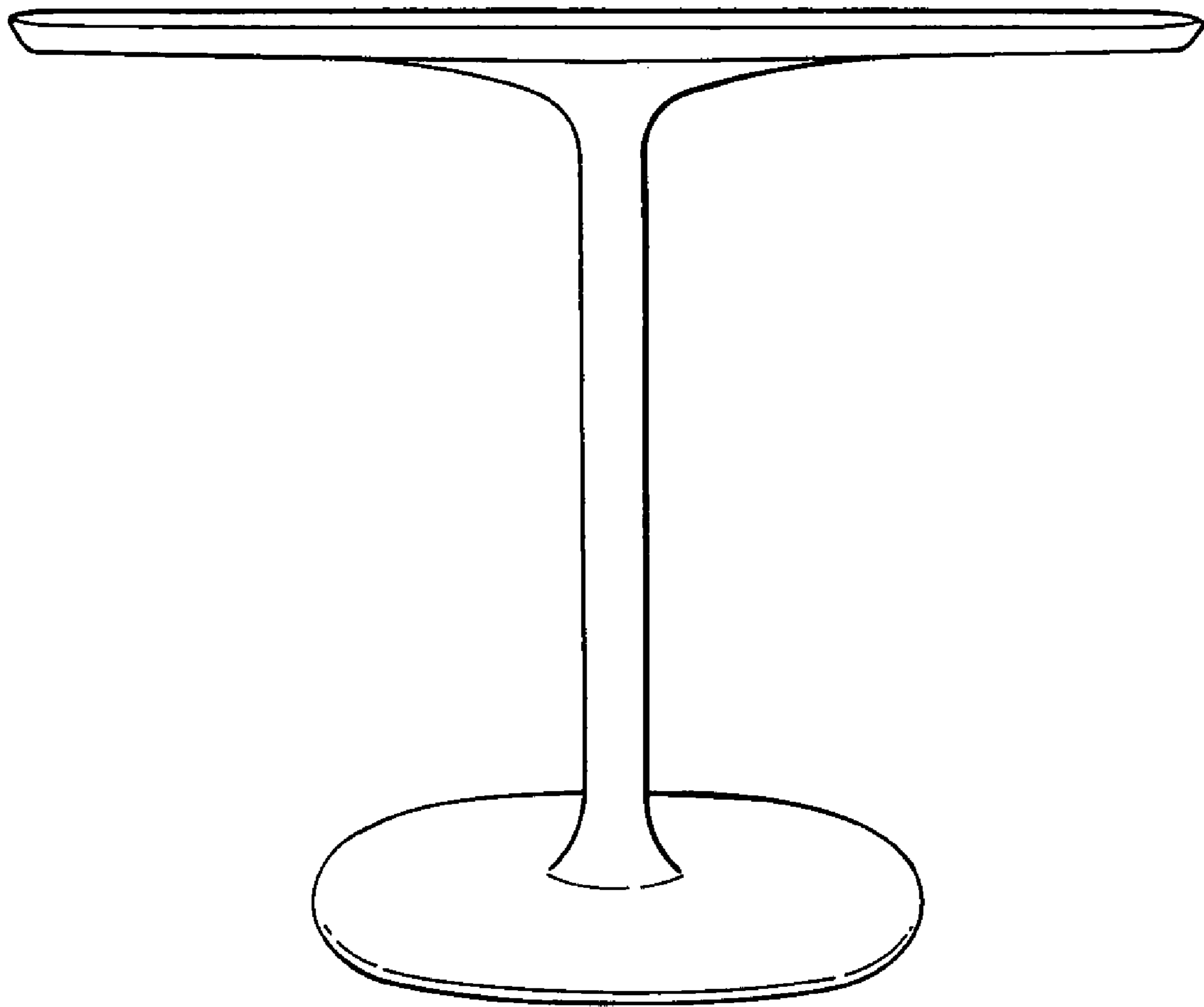
*FIG. 2*



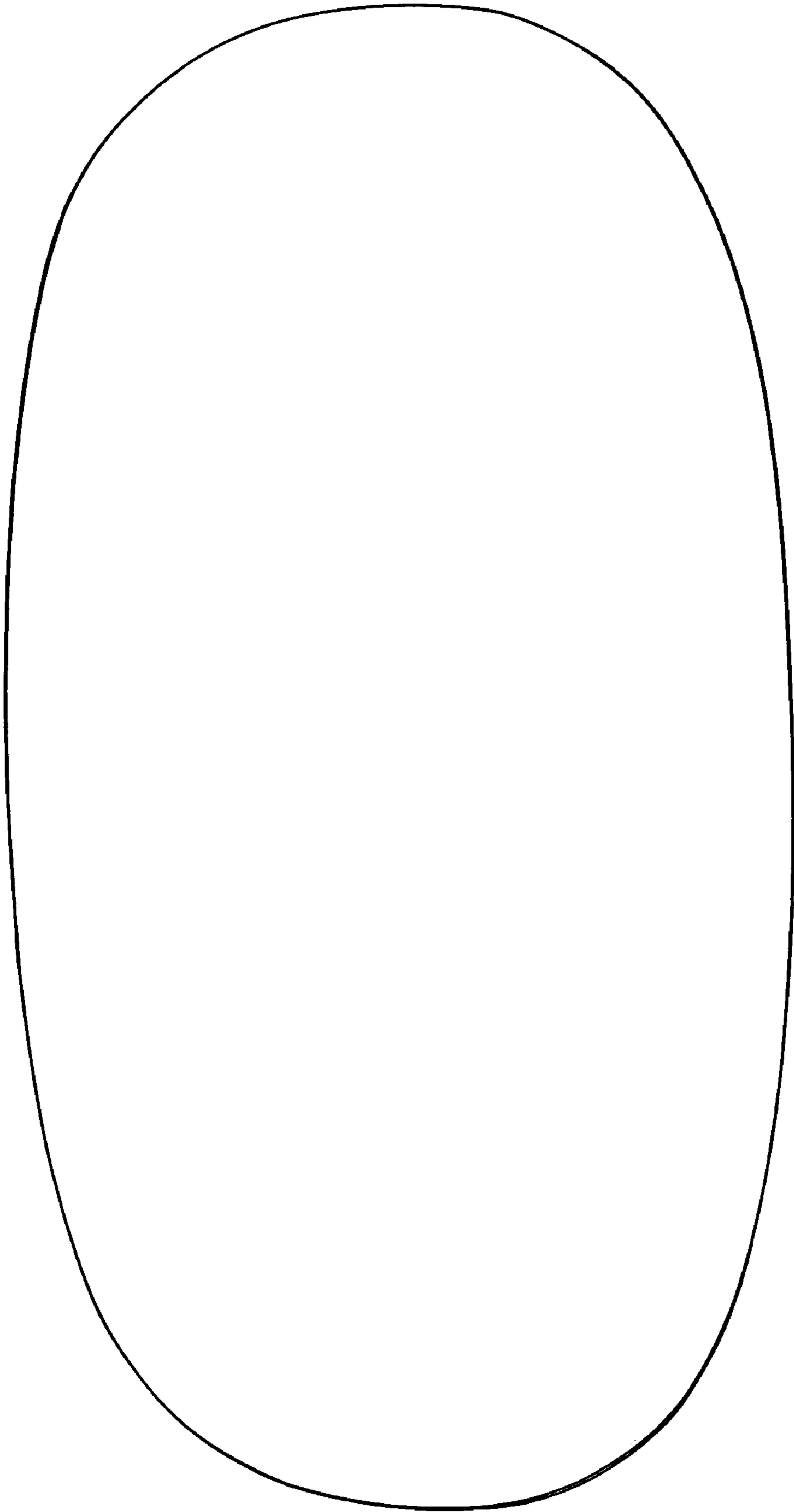
*FIG. 3*



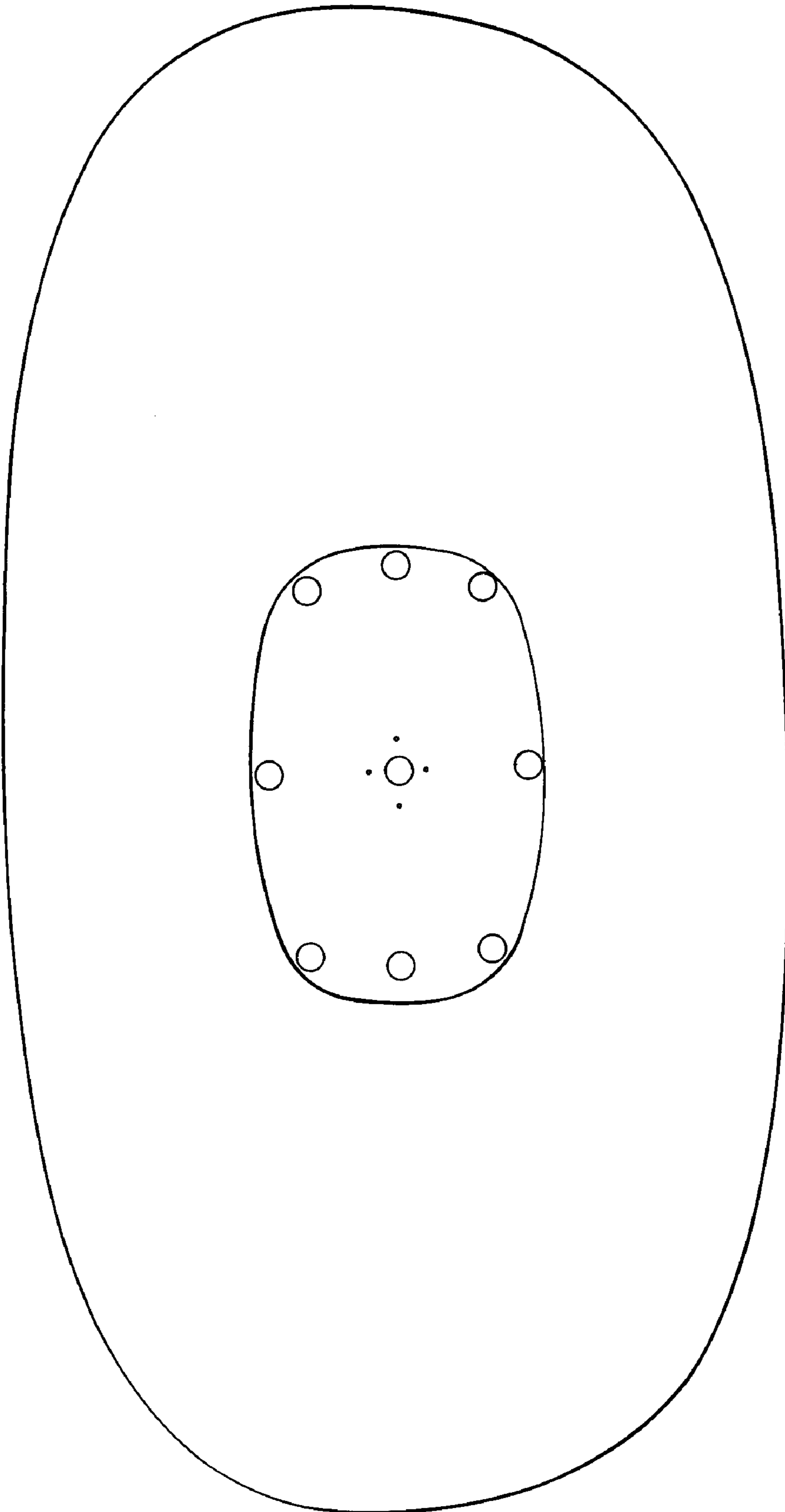
*FIG. 4*



*FIG. 5*



*FIG. 6*



*FIG. 7*