

US00D561491S

(12) **United States Design Patent**
Niu

(10) **Patent No.:** **US D561,491 S**

(45) **Date of Patent:** **** *Feb. 12, 2008**

(54) **ENTERTAINMENT CENTER**

D491,750 S * 6/2004 Bertoncini D6/474
D505,573 S * 5/2005 Malizia D6/474

(75) Inventor: **Nolen Patrick Niu**, Hollywood, CA
(US)

* cited by examiner

(73) Assignee: **Elite Manufacturing Corporation**,
Santa Fe Springs, CA (US)

Primary Examiner—Cathron C. Brooks
(74) *Attorney, Agent, or Firm*—Socal IP Law Group LLP;
Marvin E. Jacobs

(*) Notice: This patent is subject to a terminal dis-
claimer.

(57) **CLAIM**

(**) Term: **14 Years**

The ornamental design for entertainment center, as shown
and described.

(21) Appl. No.: **29/228,892**

DESCRIPTION

(22) Filed: **Apr. 28, 2005**

(51) **LOC (8) Cl.** **06-04**

(52) **U.S. Cl.** **D6/474**

(58) **Field of Classification Search** D6/460,
D6/461, 468, 474, 477-479; 312/7.2, 9.1;
108/59, 91, 92, 96; 211/40, 41.12, 42, 49.1,
211/50, 85.2, 90.04, 187, 190, 119.003, 134.153,
211/87.01, 71.01; D14/129

See application file for complete search history.

FIG. 1 is a perspective view of the entertainment center of
the invention (broken lines are for illustrative purposes only
and forms no part of the claimed design);

FIG. 2 is a front elevational view of the entertainment center
of FIG. 1;

FIG. 3 is a left side elevational view of the entertainment
center (right side is a mirror image thereof) of FIG. 1;

FIG. 4 is a rear elevational view of the entertainment center
of FIG. 1;

FIG. 5 is a top plan view of the entertainment center of FIG.
1; and,

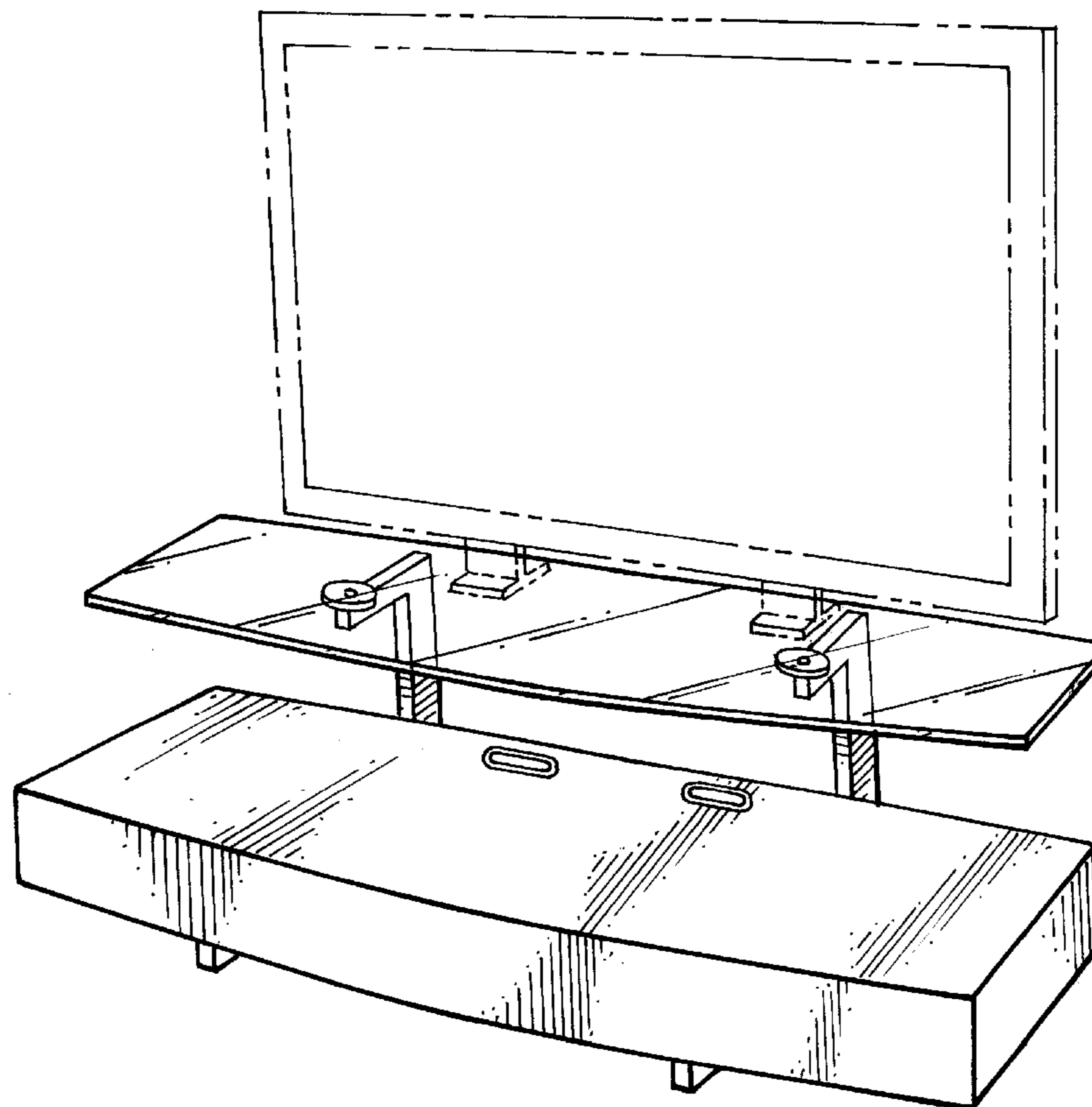
FIG. 6 is a bottom plan view of the entertainment center of
FIG. 1.

(56) **References Cited**

U.S. PATENT DOCUMENTS

D465,356 S * 11/2002 Muller D6/477

1 Claim, 2 Drawing Sheets



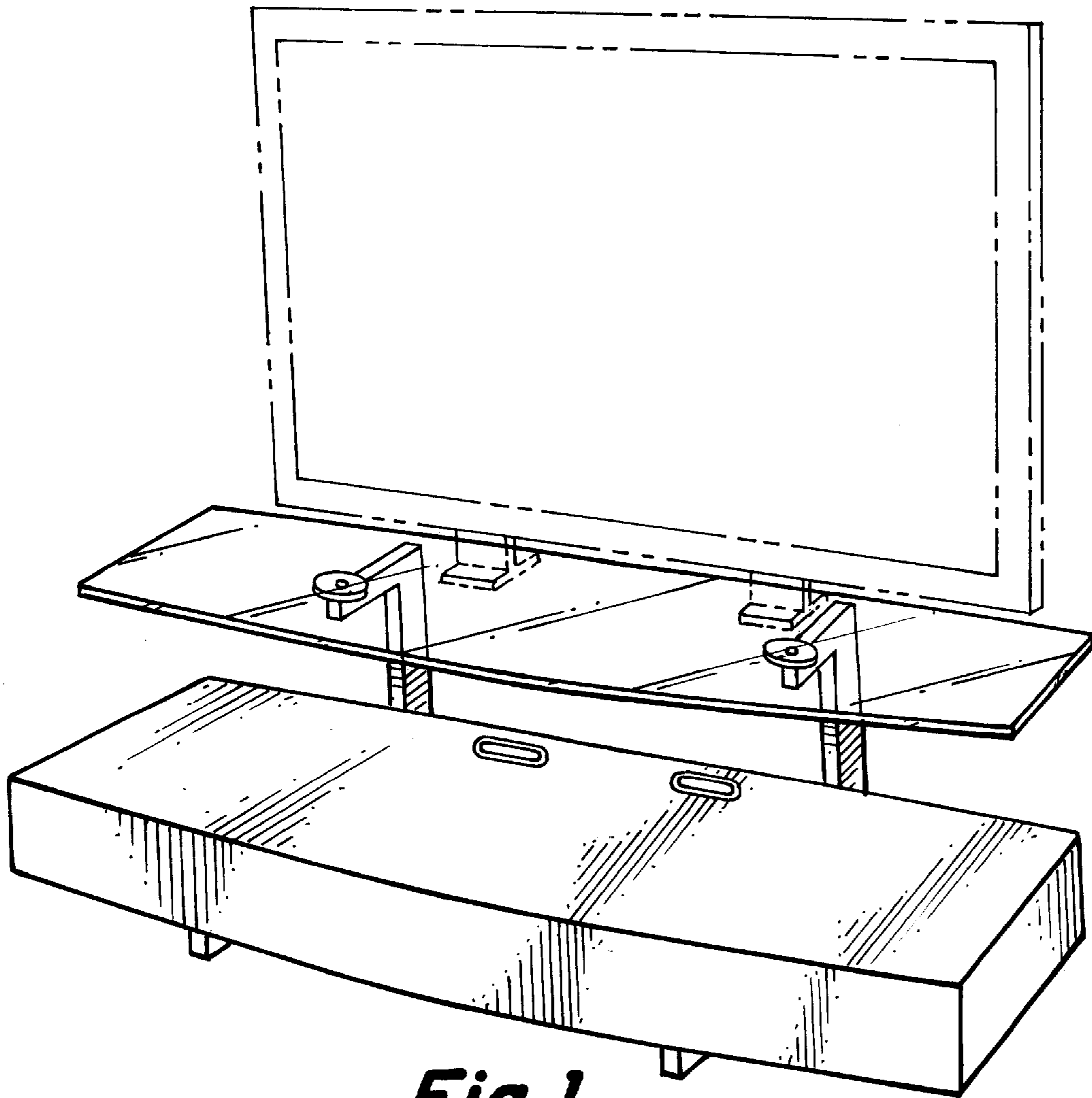


Fig. 1.

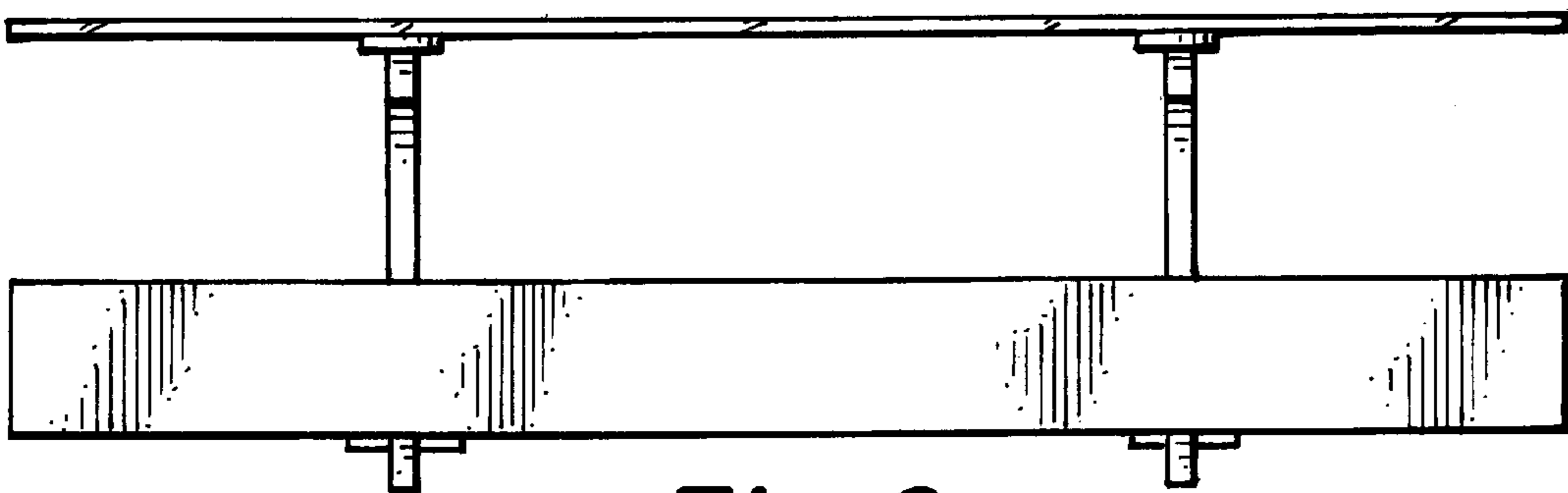


Fig. 2.

