

US00D561490S

(12) **United States Design Patent**
Traun et al.

(10) **Patent No.:** **US D561,490 S**

(45) **Date of Patent:** **** Feb. 12, 2008**

(54) **LECTERN**

(75) Inventors: **Lisa Traun**, Minneapolis, MN (US);
Neil Amundsen, Chanhassen, MN (US)

(73) Assignee: **Safco Products Co.**, Minneapolis, MN (US)

(**) Term: **14 Years**

(21) Appl. No.: **29/247,296**

(22) Filed: **Jun. 9, 2006**

(51) **LOC (8) Cl.** **06-06**

(52) **U.S. Cl.** **D6/419**

(58) **Field of Classification Search** D6/419-420;
248/441.1; 108/6, 8
See application file for complete search history.

(56) **References Cited**

U.S. PATENT DOCUMENTS

- D41,863 S * 10/1911 Strauss D6/419
- D148,838 S * 3/1948 Anderson D6/420
- D161,724 S * 1/1951 Anderson D6/420

- D179,633 S * 2/1957 Fox D6/397
- D286,831 S * 11/1986 Matyear D6/419
- D296,275 S * 6/1988 Fisher et al. D6/419
- D416,708 S * 11/1999 Walker D6/429

* cited by examiner

Primary Examiner—Janice E. Seeger

Assistant Examiner—Zenia I. Bennett

(74) *Attorney, Agent, or Firm*—Patterson, Thunte, Skaar & Christensen, P.A.

(57) **CLAIM**

The ornamental design for a lectern, as shown and described.

DESCRIPTION

FIG. 1 is a perspective view of a lectern.

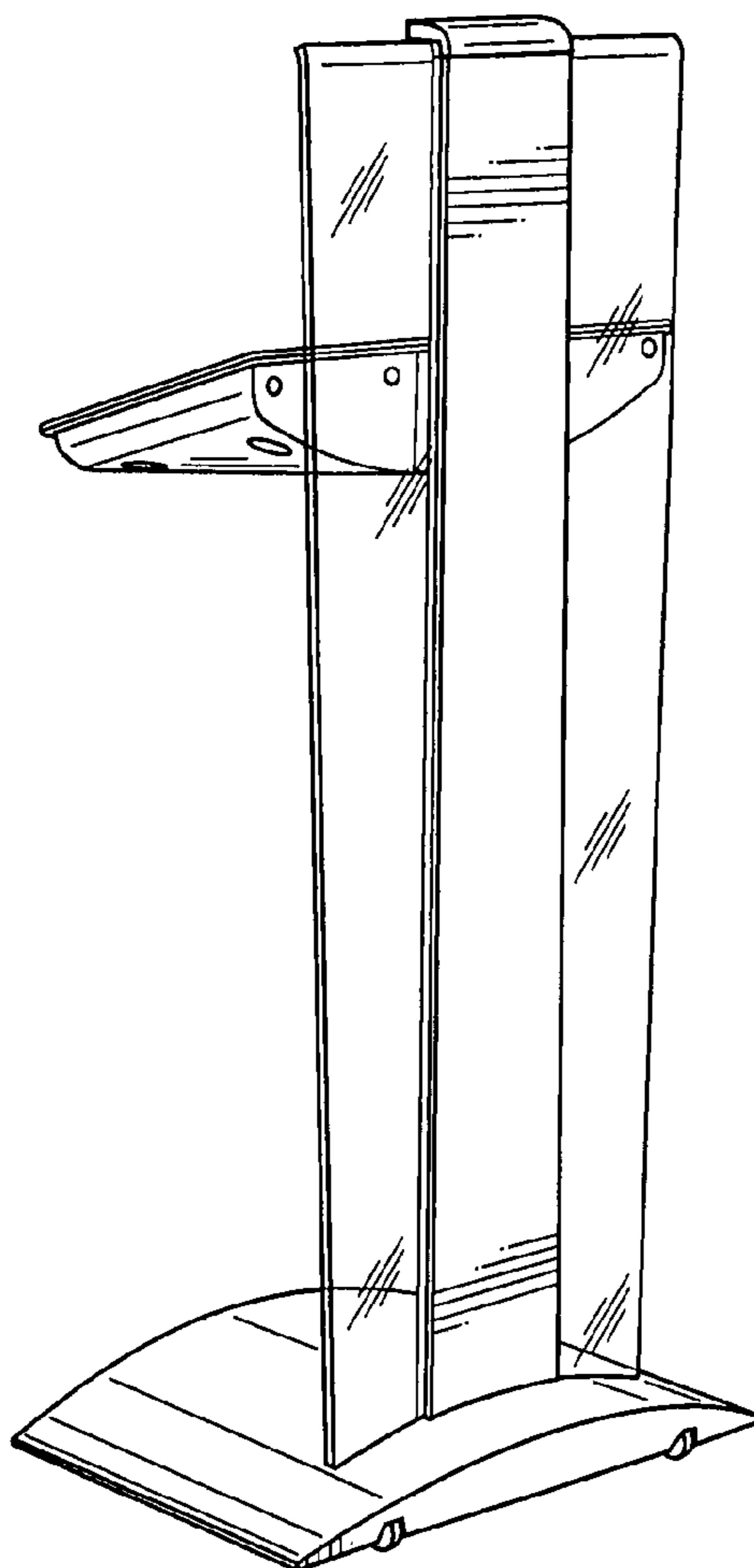
FIG. 2 is a front view of the lectern.

FIG. 3 is a back view of the lectern.

FIG. 4 is a first side view of the lectern; and,

FIG. 5 is a second side view of the lectern.

1 Claim, 5 Drawing Sheets



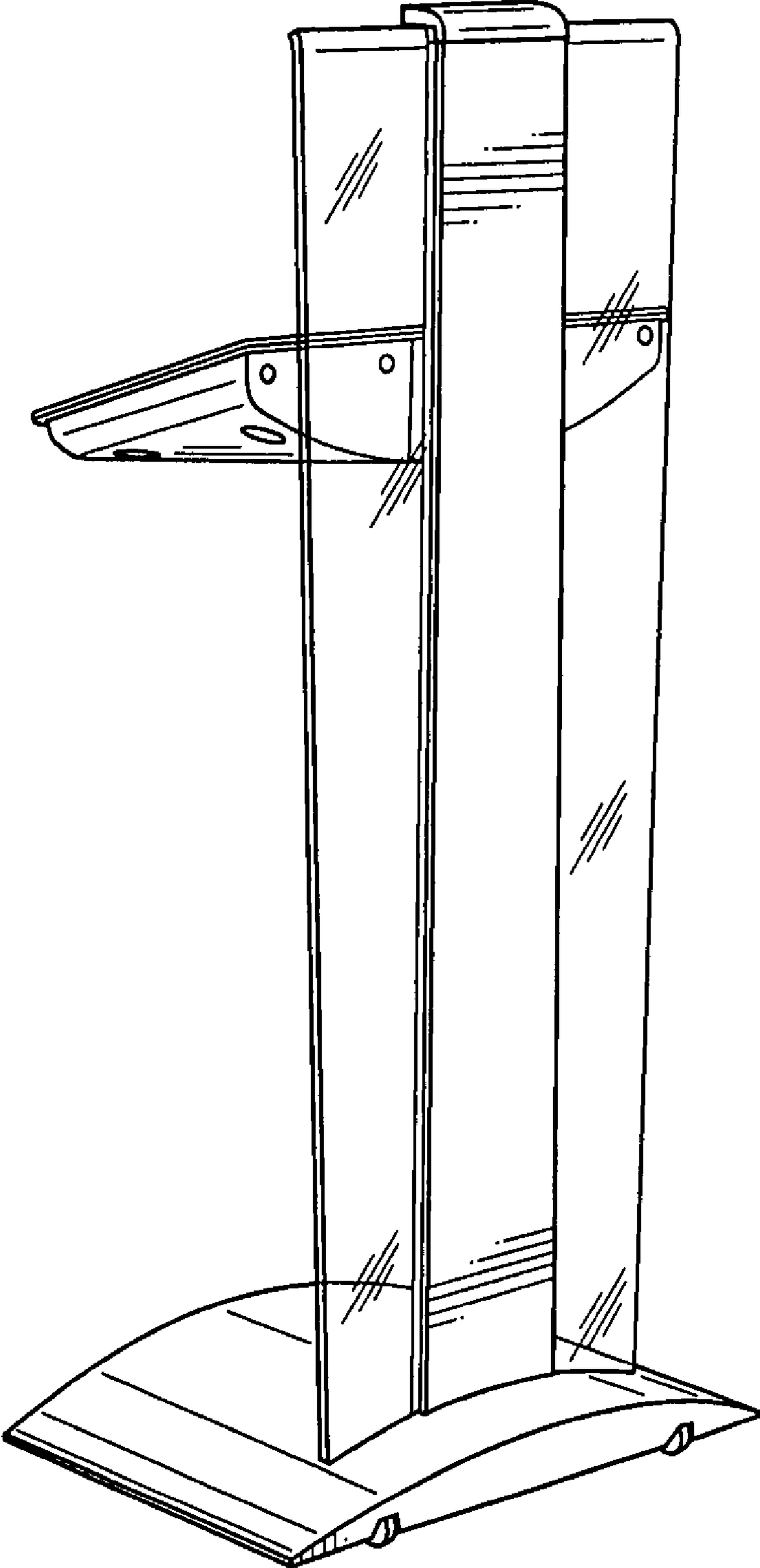


Fig. 1

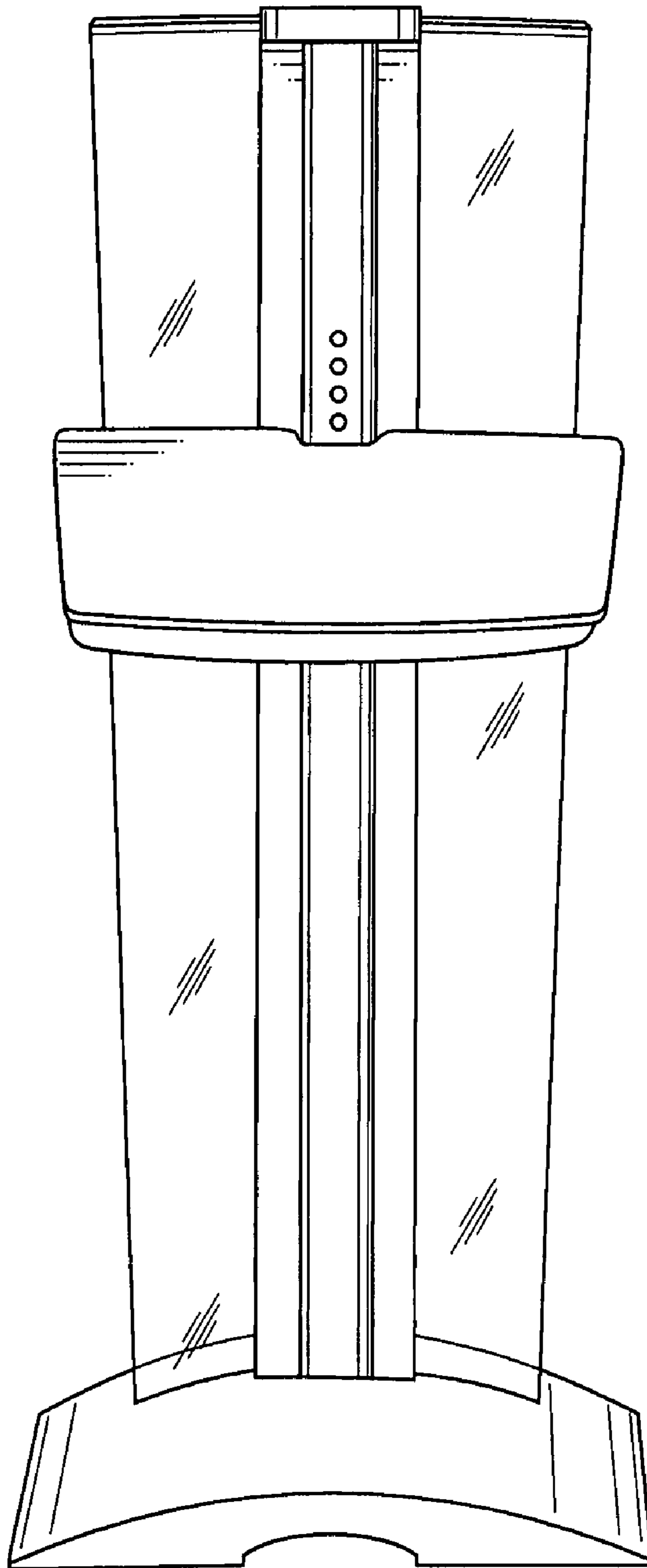


Fig. 2

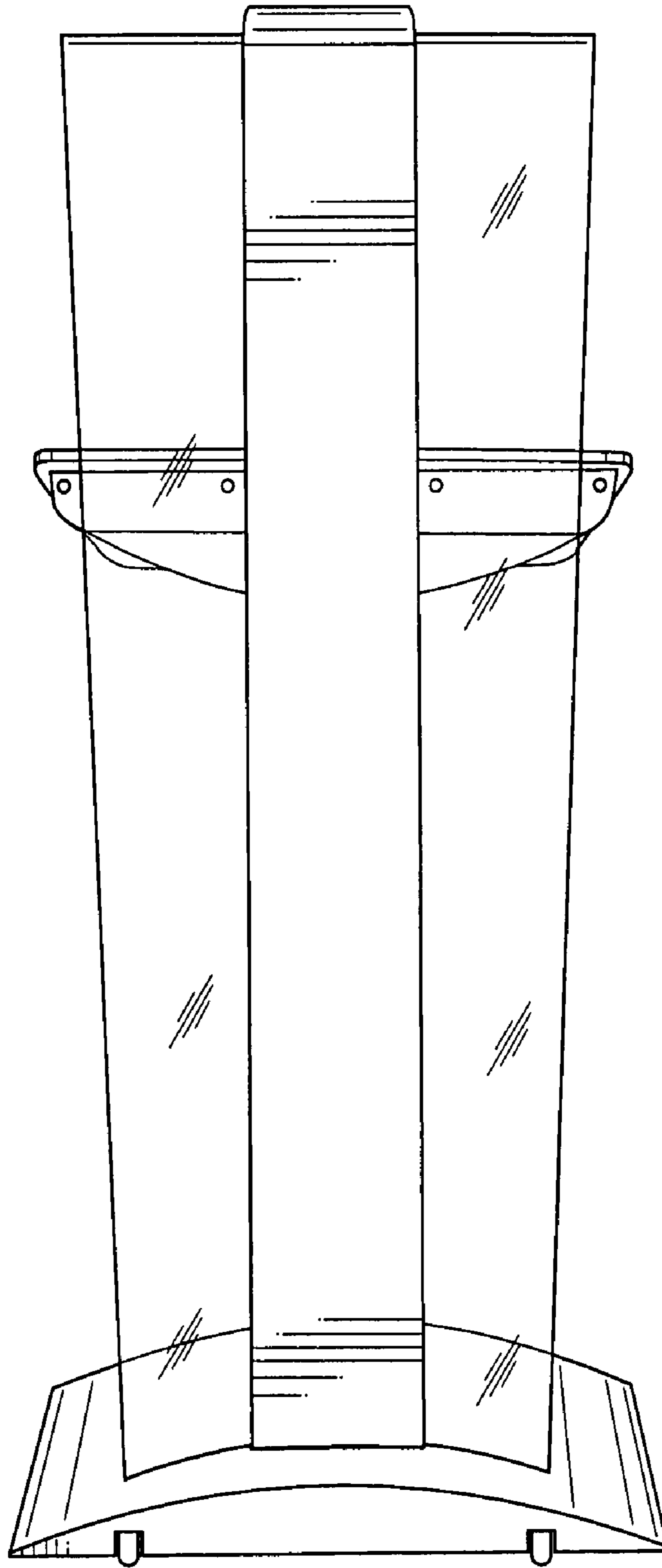


Fig. 3

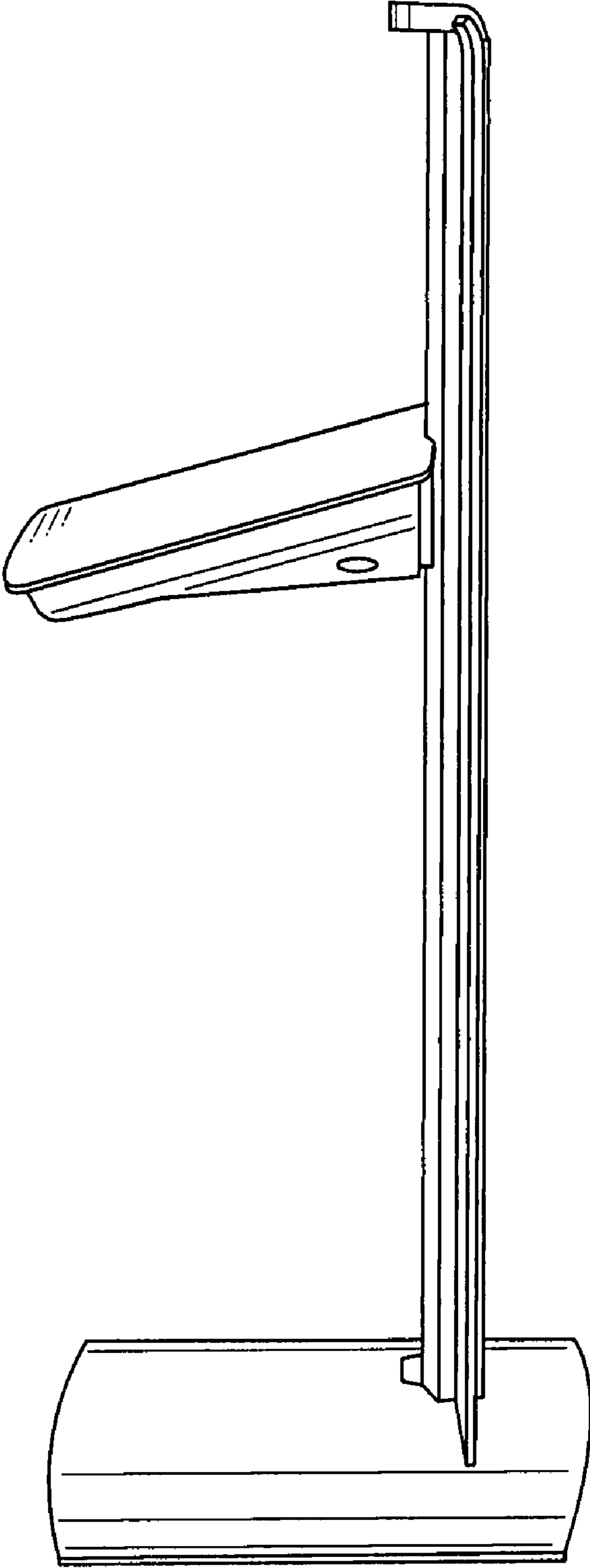


Fig. 4

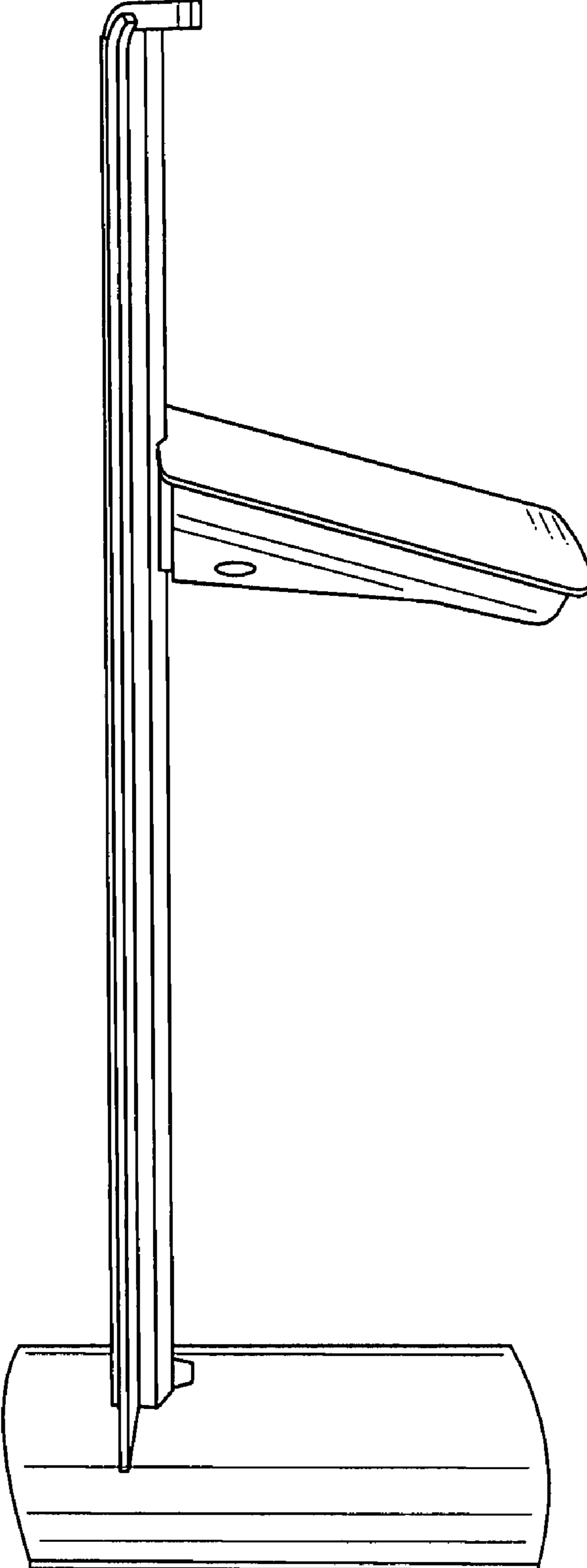


Fig. 5