



US00D561489S

(12) **United States Design Patent** (10) **Patent No.:** **US D561,489 S**
Domack et al. (45) **Date of Patent:** **** Feb. 12, 2008**

(54) **POSTER BED**

(75) Inventors: **Randy D. Domack**, Trempealeau, WI (US); **Terry A. Everson**, Blair, WI (US)

(73) Assignee: **Ashley Furniture Industries, Inc.**, Arcadia, WI (US)

(**) Term: **14 Years**

(21) Appl. No.: **29/266,299**

(22) Filed: **Sep. 18, 2006**

(51) **LOC (8) Cl.** **06-01**

(52) **U.S. Cl.** **D6/389; D6/393**

(58) **Field of Classification Search** D6/382-384, D6/388, 389, 393-395, 505-508; 5/53.1, 5/279.1, 280, 281, 310, 414, 907

See application file for complete search history.

(56) **References Cited**

U.S. PATENT DOCUMENTS

- D293,048 S * 12/1987 Mann D6/505
- D435,357 S * 12/2000 Craig D6/389
- D485,696 S * 1/2004 Risdon et al. D6/393
- D514,350 S * 2/2006 Berry et al. D6/393

OTHER PUBLICATIONS

A.R.T. Furniture, photograph of poster bed, prior to Sep. 17, 2006 (Reference1.pdf).

Masten Furniture, photograph of poster bed, prior to Sep. 17, 2006 (Reference2.pdf).

BFG Furniture, photograph of poster bed, prior to Sep. 17, 2006 (Reference3.pdf).

Bassett 05, photograph of poster bed, prior to Sep. 17, 2006 (Reference4.pdf).

Bassett 01, photograph of poster bed, prior to Sep. 17, 2006 (Reference5.pdf).

Bassett 03, photograph of poster bed, prior to Sep. 17, 2006 (Reference6.pdf).

* cited by examiner

Primary Examiner—Janice E. Seeger

(74) *Attorney, Agent, or Firm*—Patterson, Thuente, Skaar & Christensen, P.A.

(57) **CLAIM**

The ornamental design for a poster bed, as shown and described.

DESCRIPTION

FIG. 1 is a perspective view of a poster bed, showing our new design;

FIG. 2 is a front perspective view thereof;

FIG. 3 is a side perspective view, the opposite side being a mirror image thereof;

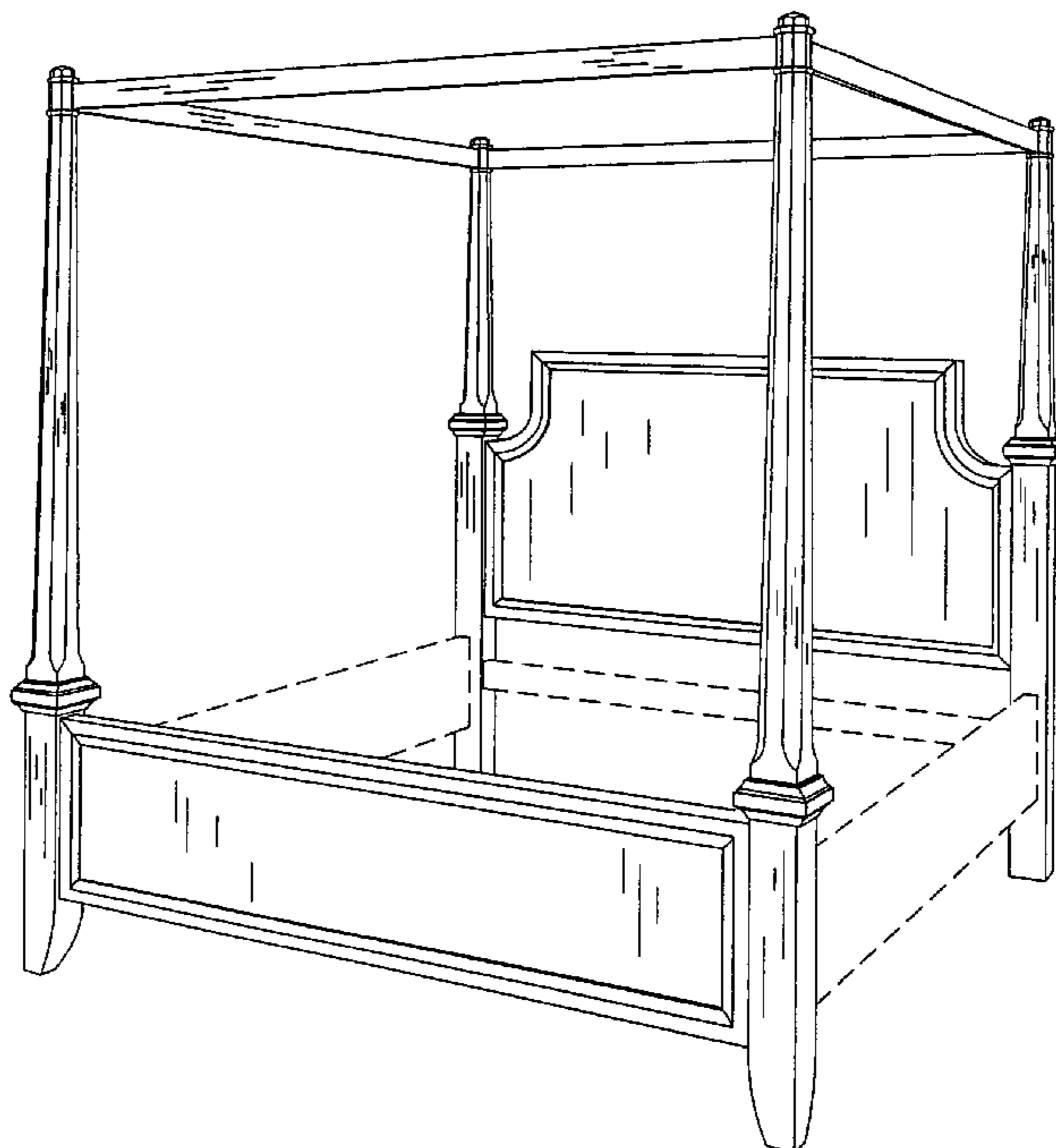
FIG. 4 is a perspective view of a poster bed, showing a second embodiment of our new design;

FIG. 5 is a front perspective view thereof; and,

FIG. 6 is a side elevational view the opposite side being a mirror image thereof.

The dashed lines showing the bed frame are for illustrative purposes only, and form no part of the claimed design.

1 Claim, 6 Drawing Sheets



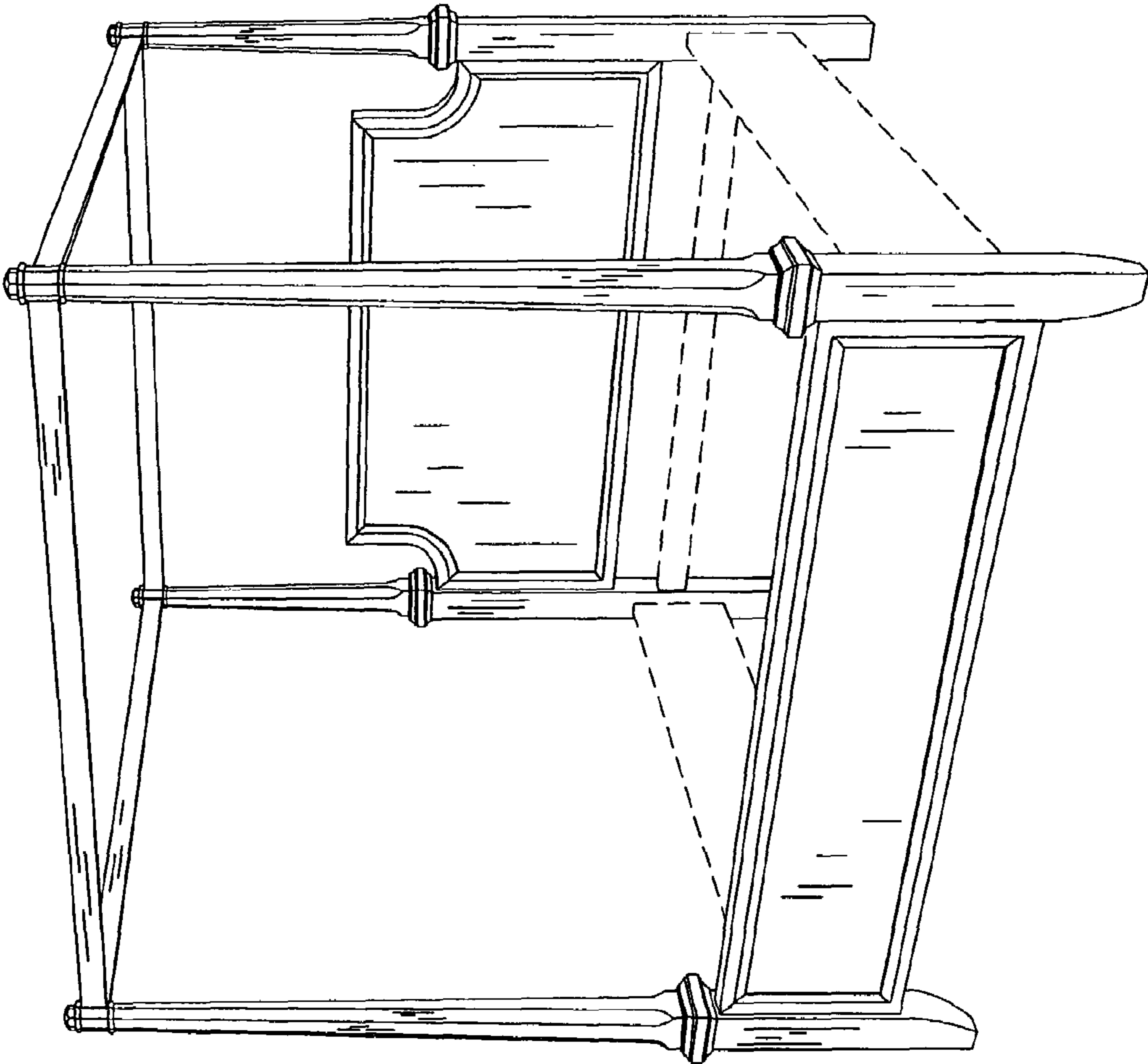


FIG. 1

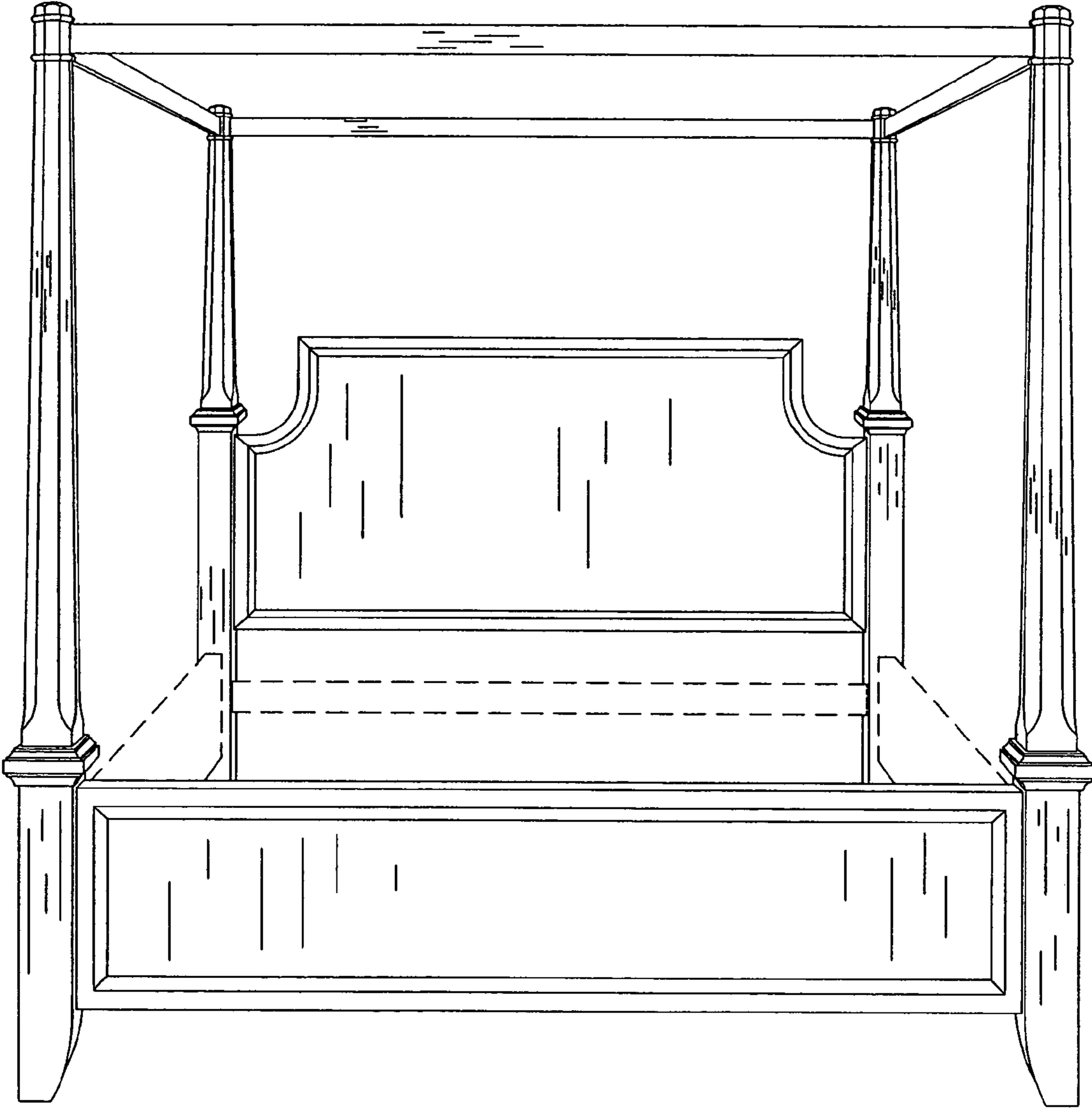


FIG. 2

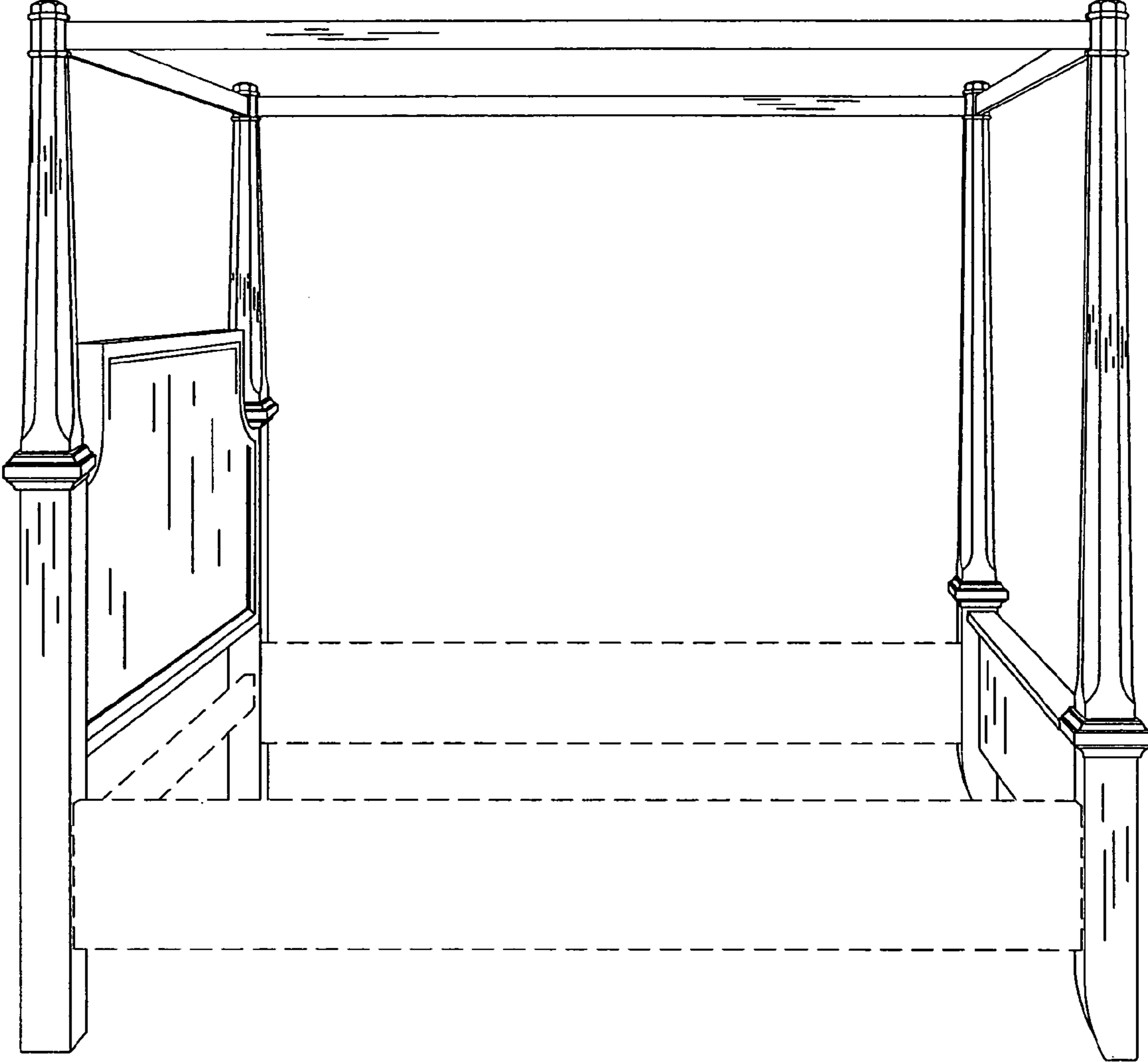


FIG. 3

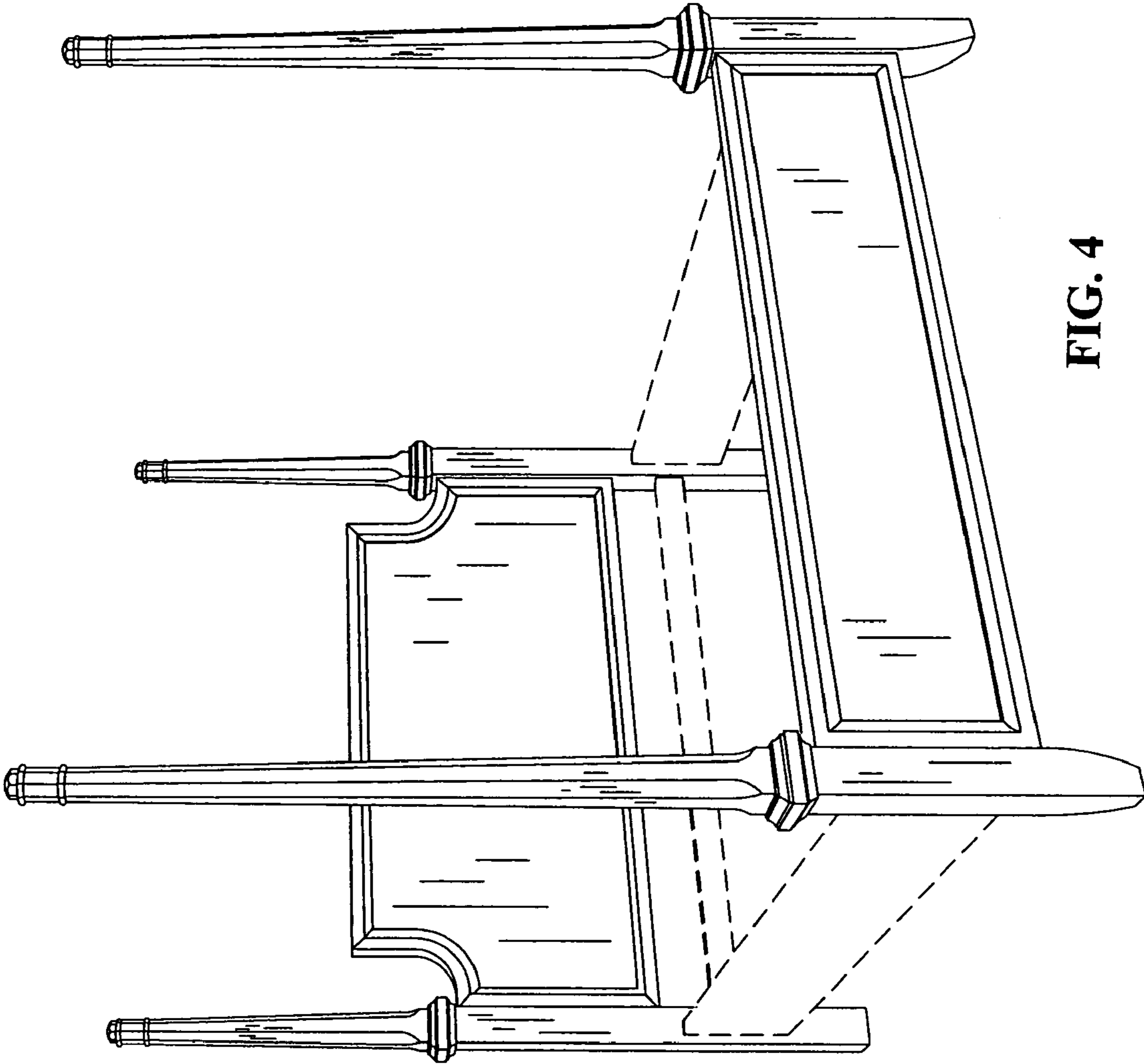


FIG. 4

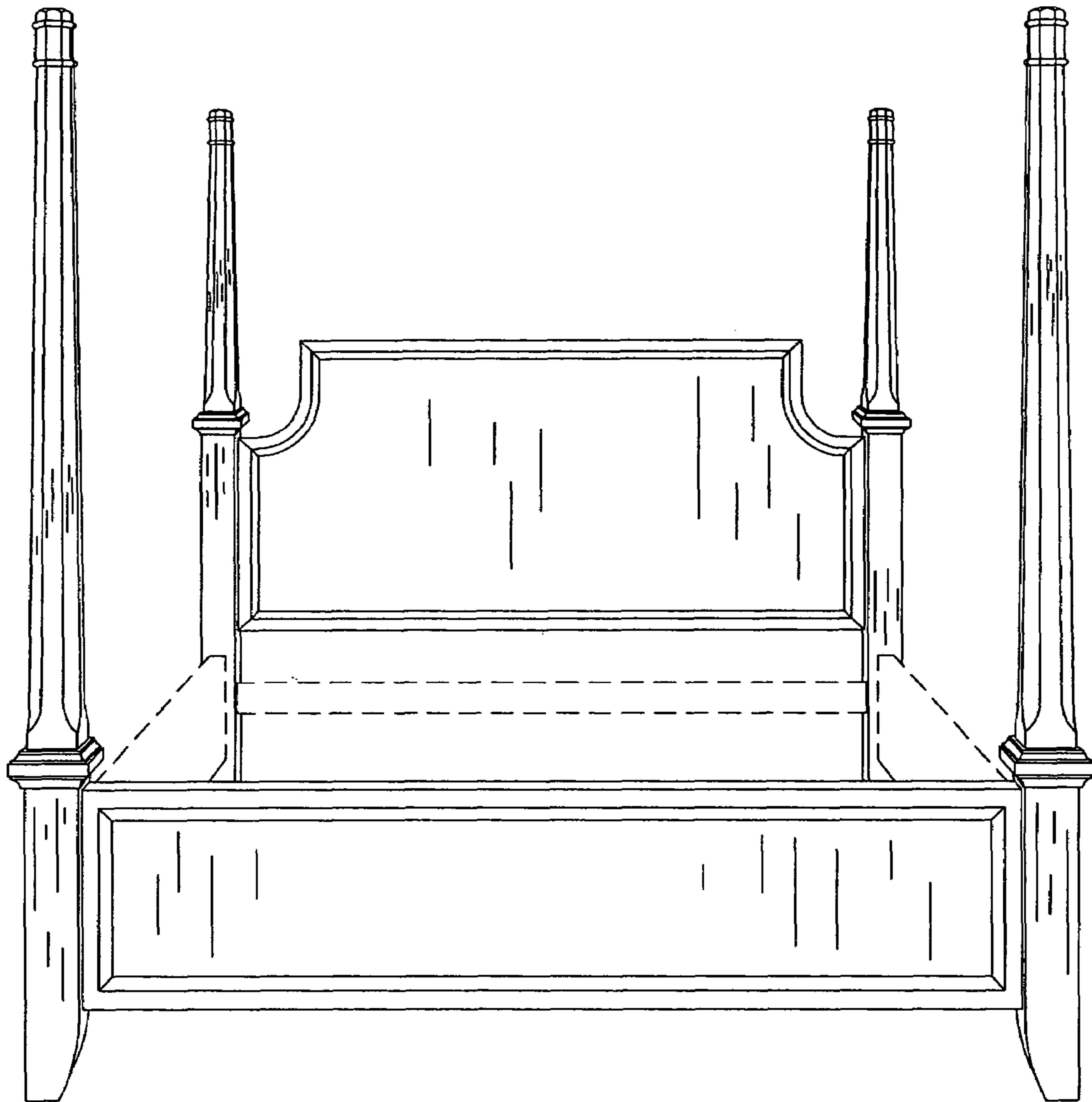


FIG. 5

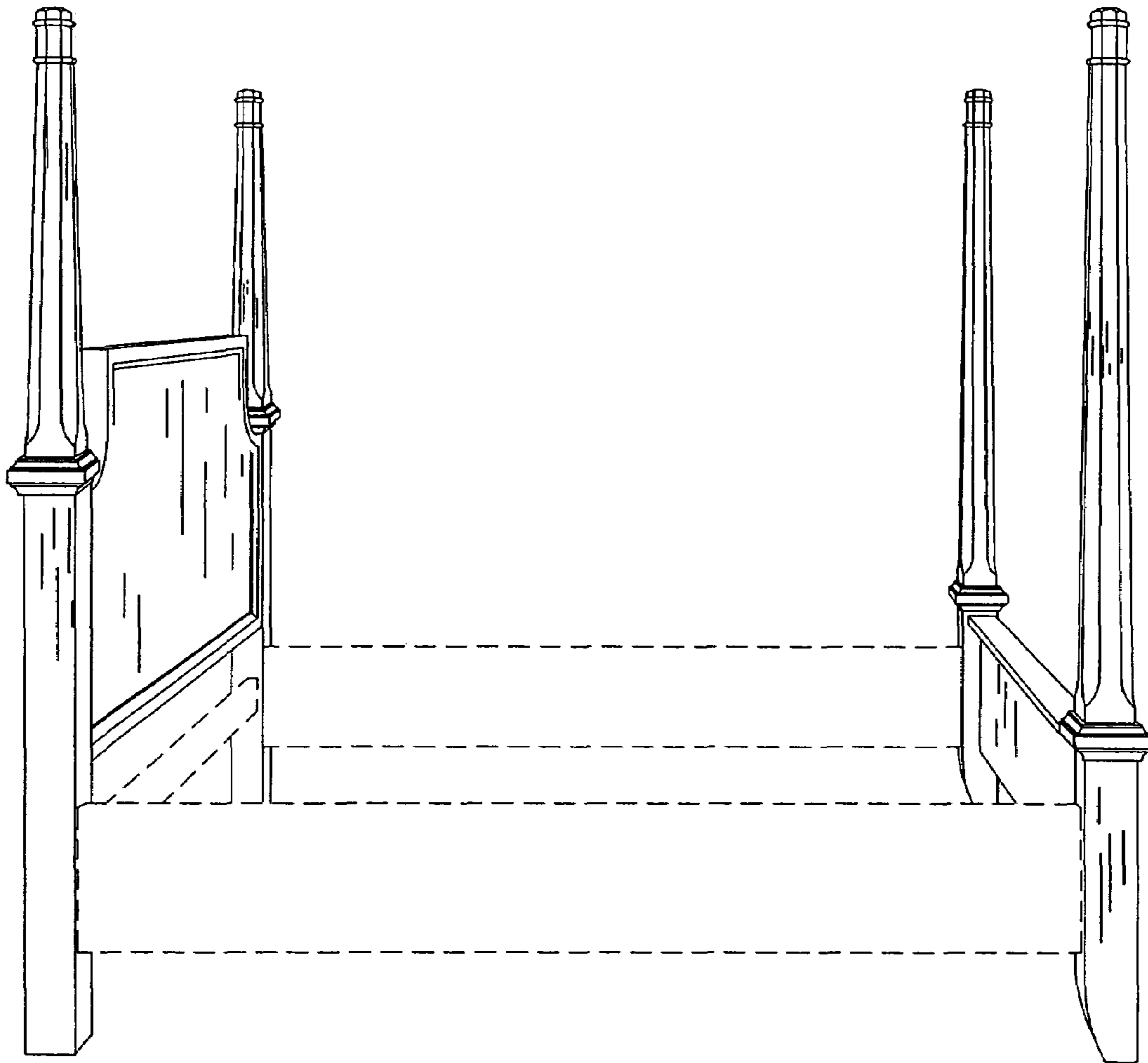


FIG. 6