

US00D561473S

(12) **United States Design Patent**
Phillips et al.

(10) **Patent No.:** **US D561,473 S**
(45) **Date of Patent:** **** Feb. 12, 2008**

(54) **DIVIDED STORAGE TUB**

(75) Inventors: **James J. Phillips**, Arthur (CA); **Aldo F. Balatti**, Greeley (CA)

(73) Assignee: **Copernicus Educational Products Inc.**, Ontario (CA)

(**) Term: **14 Years**

(21) Appl. No.: **29/275,617**

(22) Filed: **Jan. 1, 2007**

(51) **LOC (8) Cl.** **03-01**

(52) **U.S. Cl.** **D3/304**

(58) **Field of Classification Search** D3/304-315,
D3/318, 901, 905; D6/516; D7/314, 601;
D9/427, 432; D32/37; 206/557-566, 513,
206/505-506, 508, 510, 511; 220/486-495,
220/752, 760, 762, 764, 768-769, 771, 773,
220/570, 571, 575, 656-659, 675, DIG. 12,
220/DIG. 14; D19/75, 90

See application file for complete search history.

(56) **References Cited**

U.S. PATENT DOCUMENTS

D232,508 S *	8/1974	Wright	D6/510
D326,341 S *	5/1992	Frauhiger	D34/1
5,287,991 A *	2/1994	Koda et al.	220/769
D367,760 S *	3/1996	Zimmerman	D3/314
D370,346 S *	6/1996	Zimmerman	D3/314
D372,123 S *	7/1996	Kobilarcik et al.	D3/312
D387,558 S *	12/1997	Mann et al.	D3/312

D489,096 S *	4/2004	Chen	D19/90
D504,702 S *	5/2005	Stravitz	D19/90
D549,454 S *	8/2007	Åhman	D3/304

* cited by examiner

Primary Examiner—Stella M. Reid

Assistant Examiner—Eric L Goodman

(74) *Attorney, Agent, or Firm*—Rolf Fasth; Fasth Law Offices

(57) **CLAIM**

The ornamental design for a divided storage tub, as shown and described.

DESCRIPTION

FIG. 1 is a front perspective of the divided storage tub to which the design has been applied;

FIG. 2 is a rear perspective of the divided storage tub of FIG. 1.

FIG. 3 is a bottom perspective of the divided storage tub of FIG. 1.

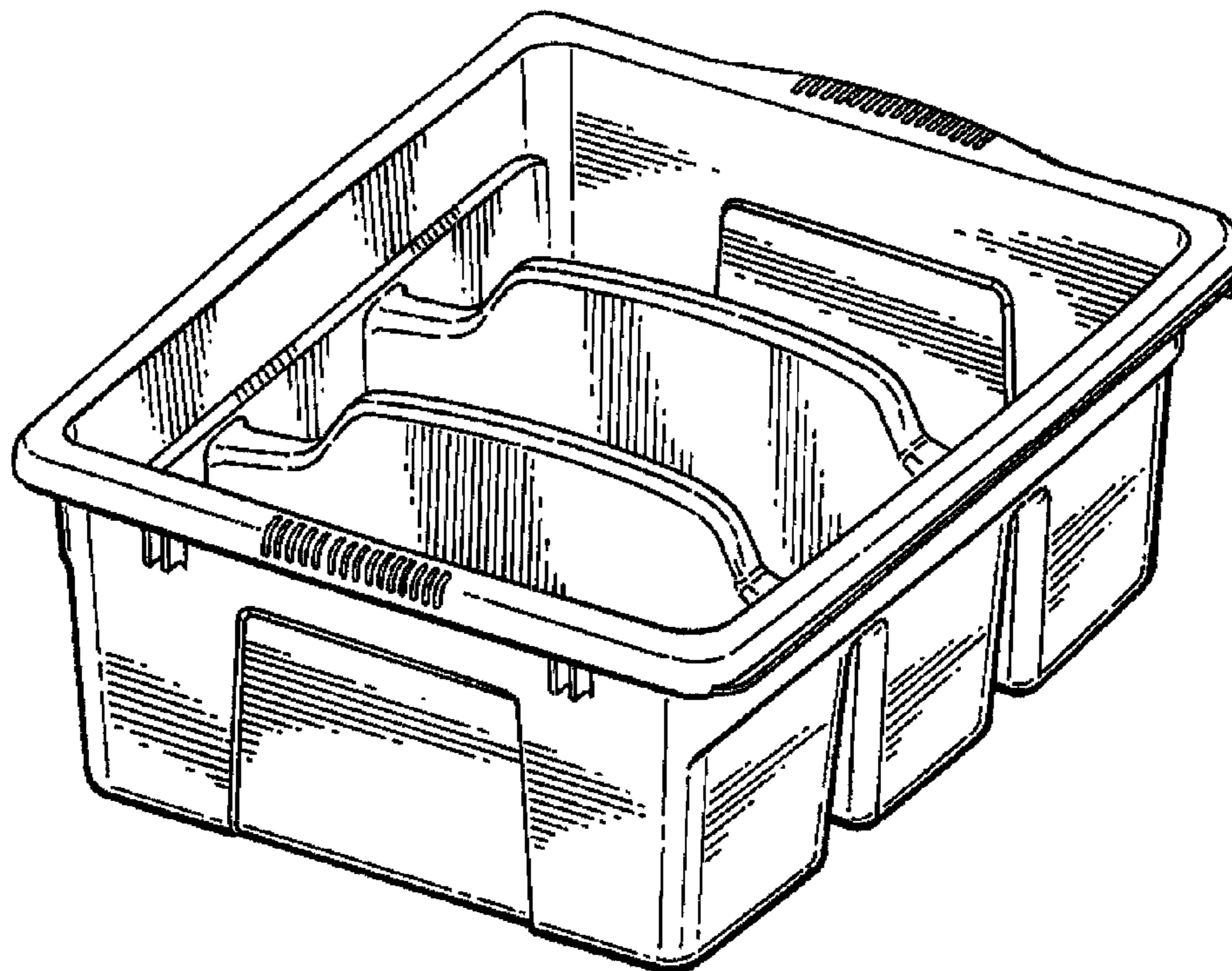
FIG. 4 is a top view of the divided storage tub of FIG. 1.

FIG. 5 is a bottom view of the divided storage tub of FIG. 1.

FIG. 6 is a right side view of the divided storage tub of FIG. 1. The left side view is a mirror image of the right side view; and,

FIG. 7 is a front view of the divided storage tub of FIG. 1. The rear view is identical to the front view.

1 Claim, 3 Drawing Sheets



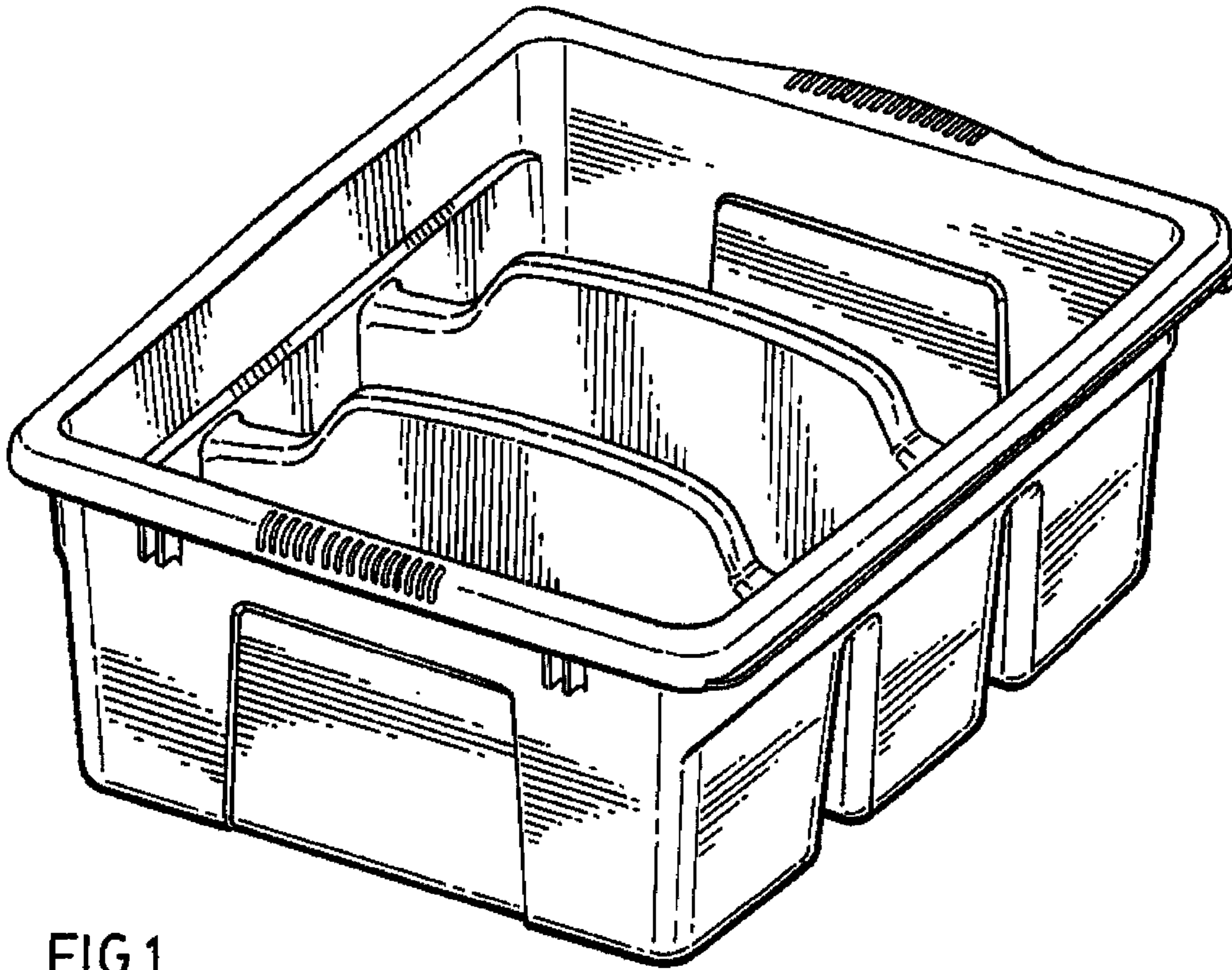


FIG. 1.

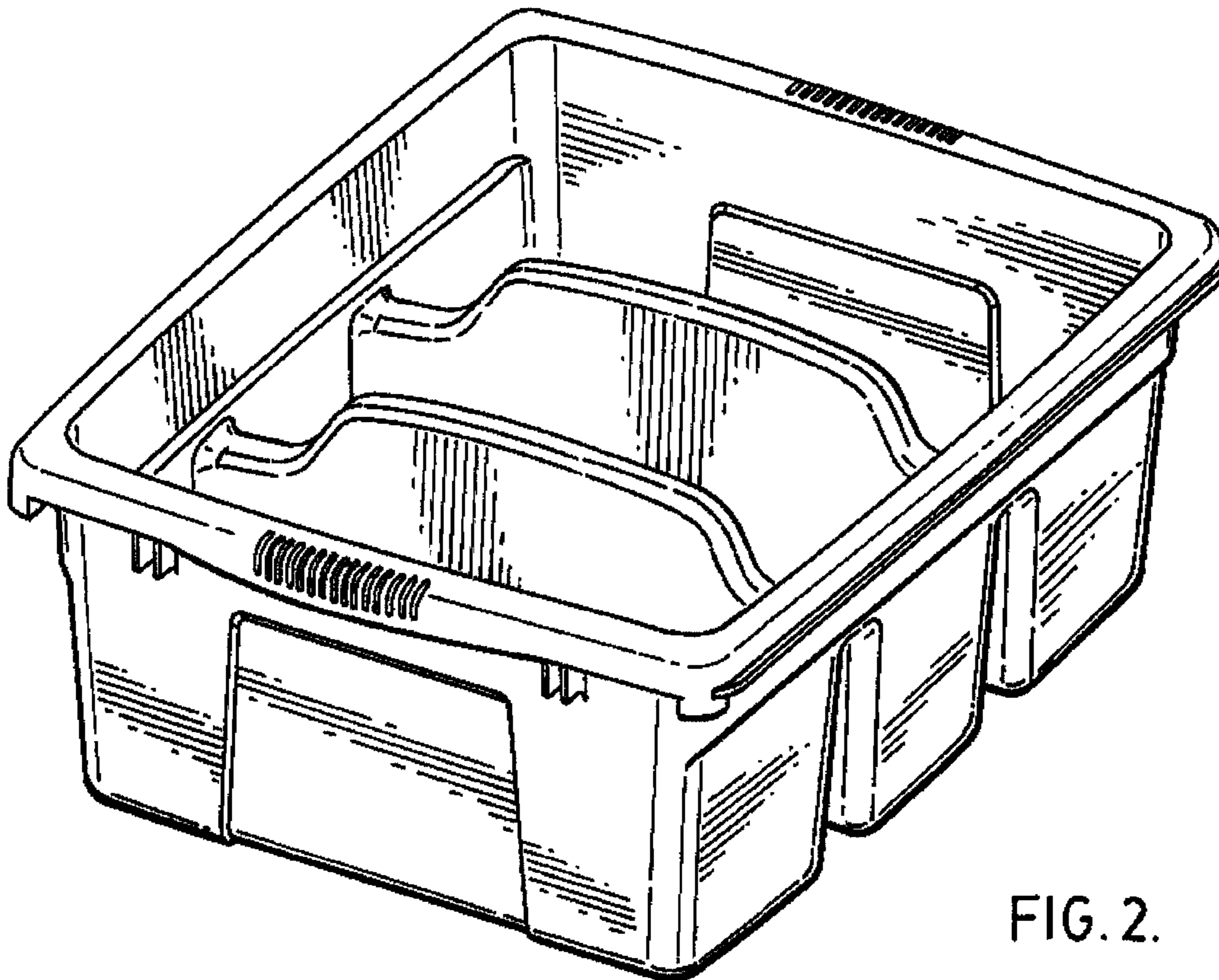


FIG. 2.

FIG. 3.

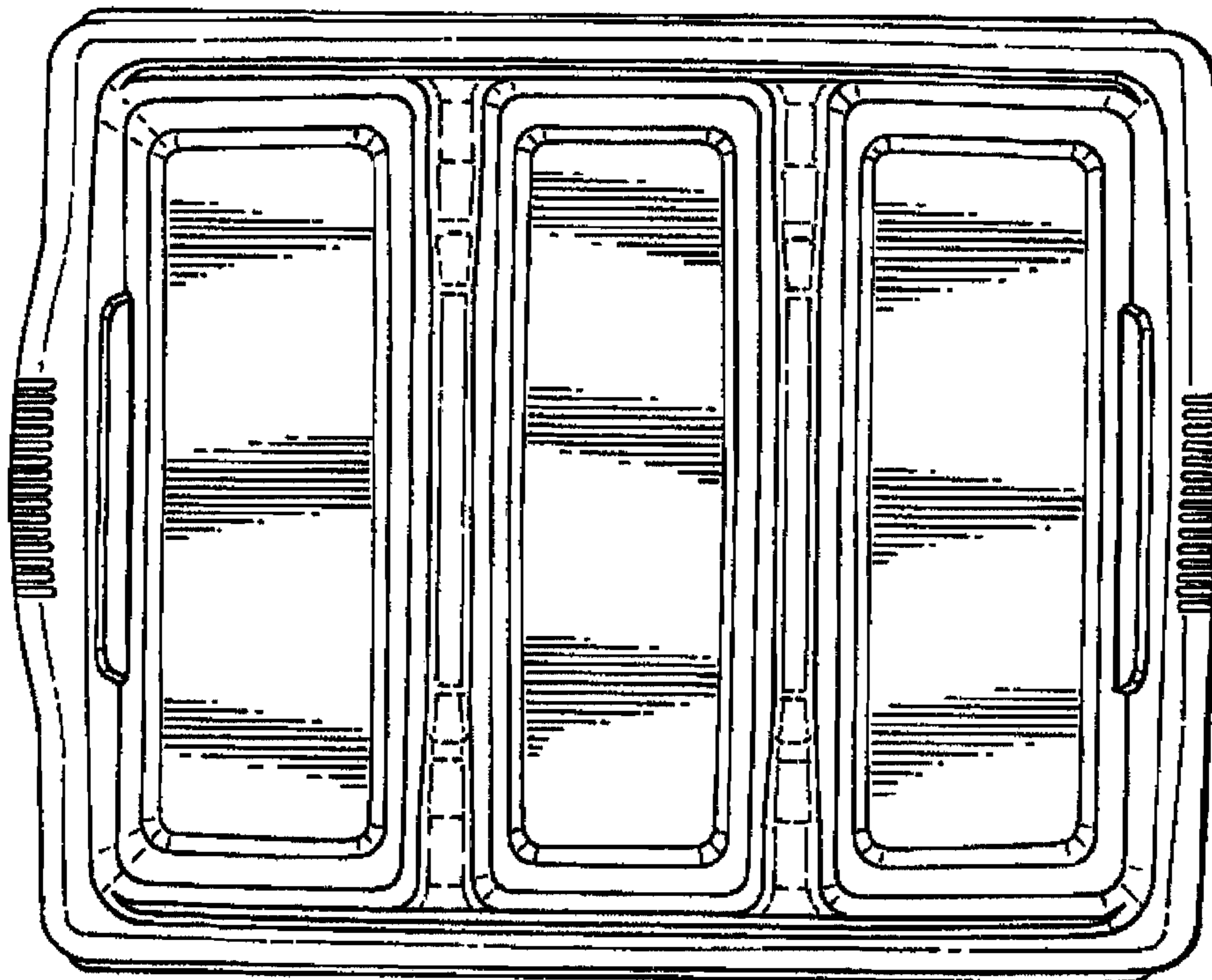
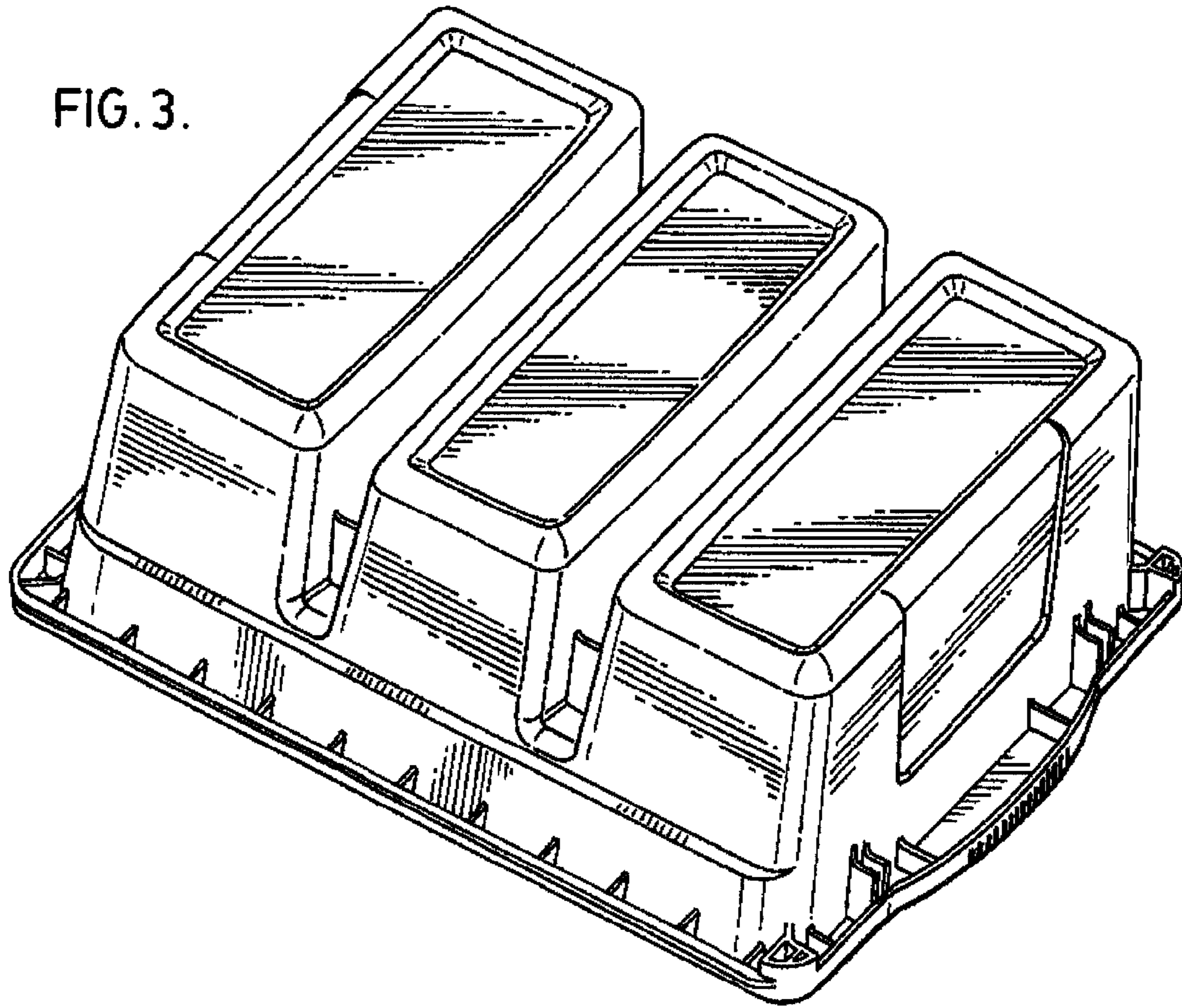


FIG. 4.

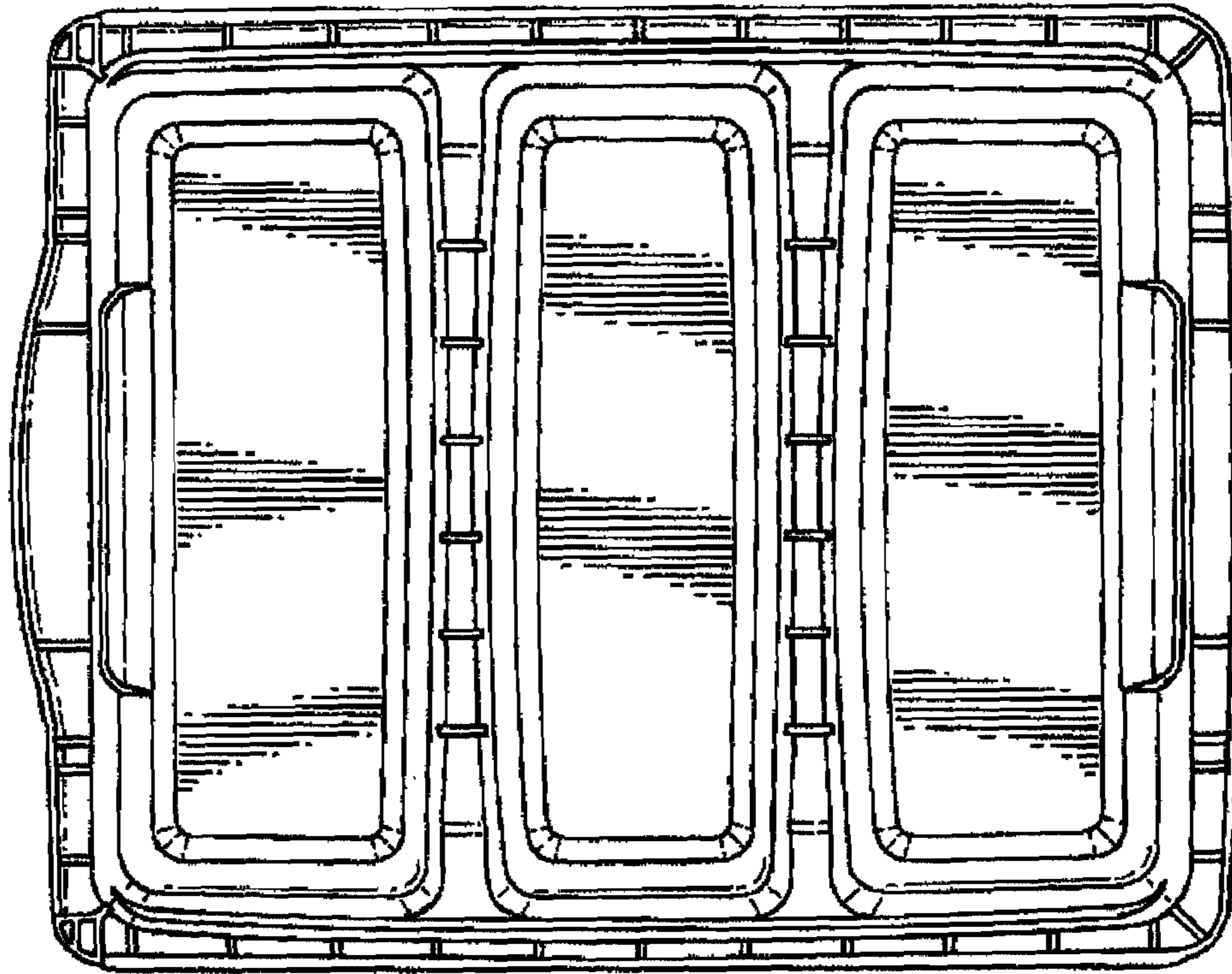


FIG. 5.

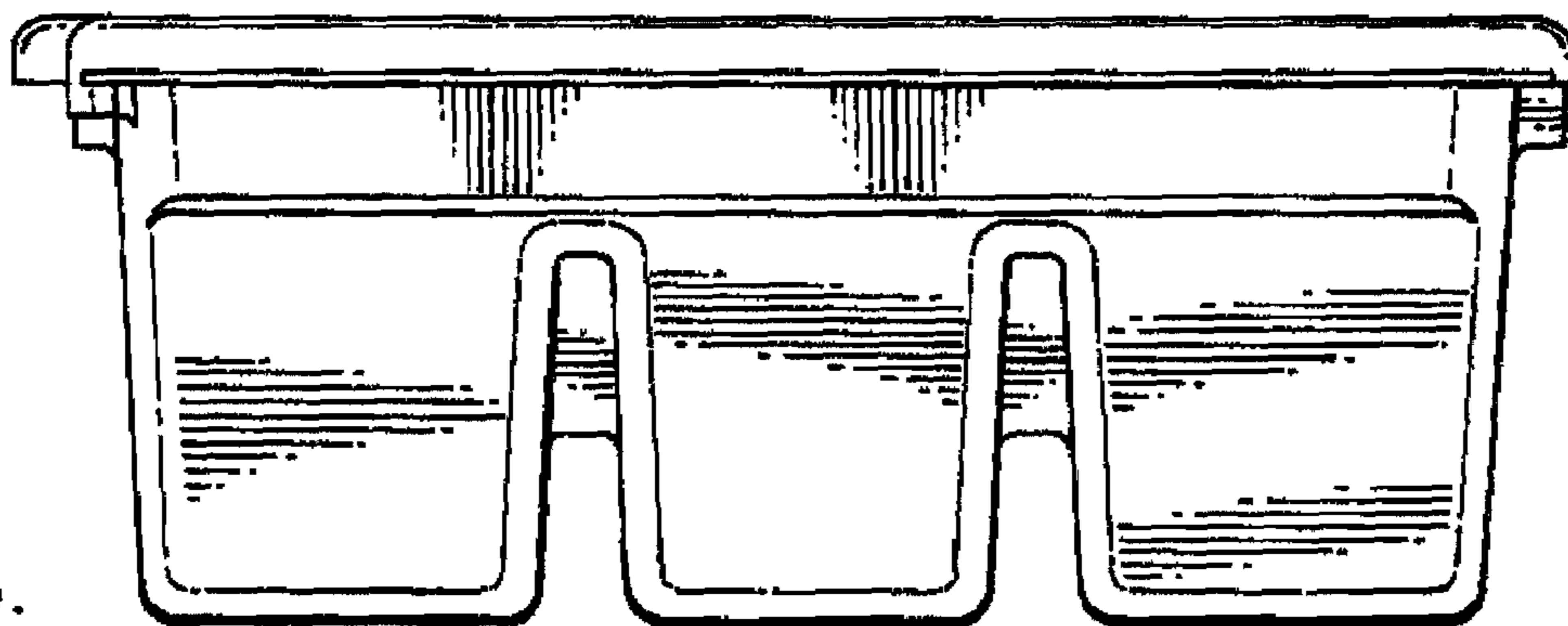


FIG. 6.

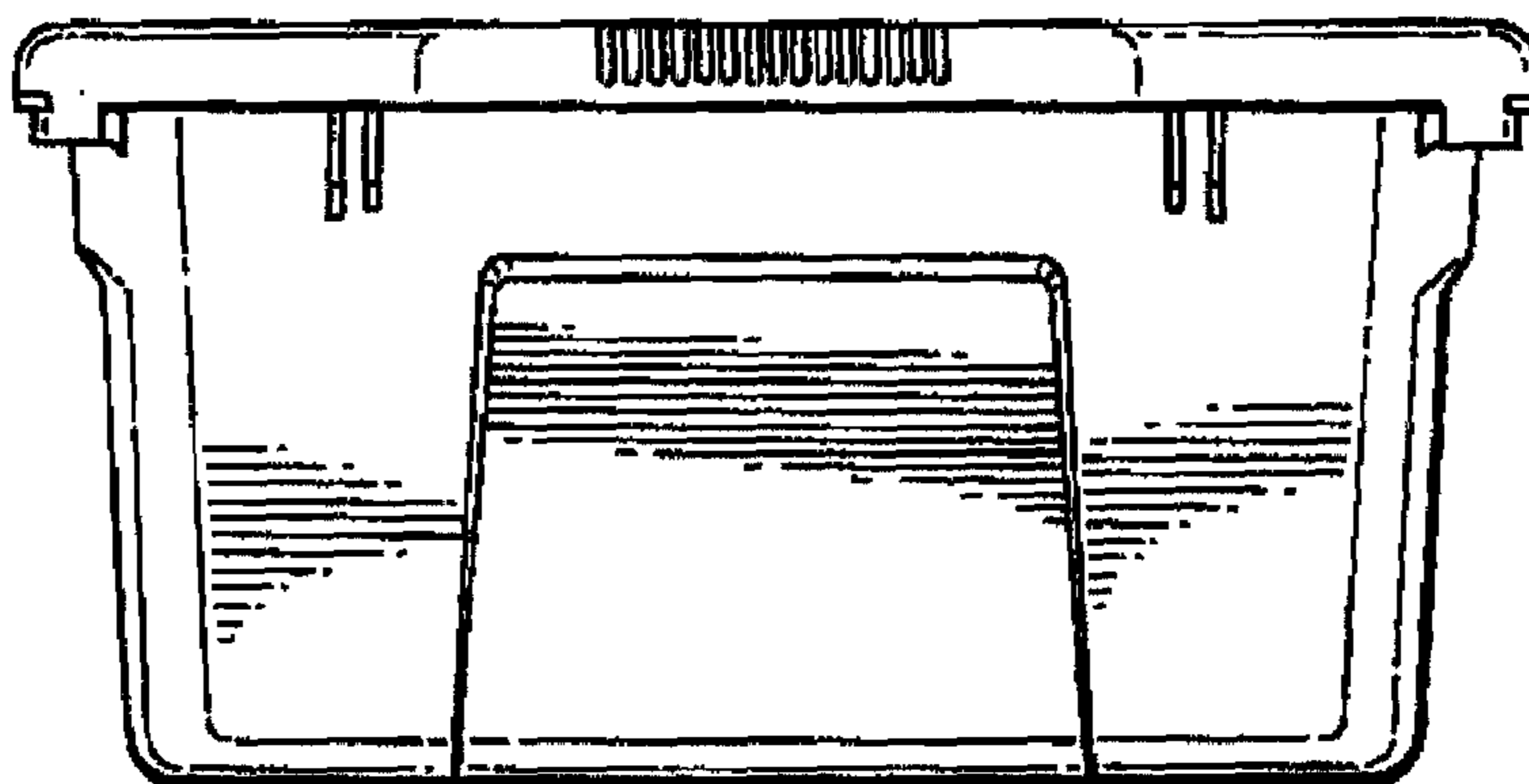


FIG. 7.