

US00D561472S

(12) **United States Design Patent**  
**Nakamura**

(10) **Patent No.:** **US D561,472 S**

(45) **Date of Patent:** **\*\* Feb. 12, 2008**

(54) **CASE FOR ELECTRONIC DEVICE**

(75) Inventor: **Takatoshi Nakamura**, Tokyo (JP)

(73) Assignee: **Sony Computer Entertainment Inc.**,  
Tokyo (JP)

(\*\*) Term: **14 Years**

(21) Appl. No.: **29/268,487**

(22) Filed: **Nov. 8, 2006**

(30) **Foreign Application Priority Data**

May 8, 2006 (JP) ..... D2006-011633

(51) **LOC (8) Cl.** ..... **03-01**

(52) **U.S. Cl.** ..... **D3/294**

(58) **Field of Classification Search** ..... D3/201,  
D3/203.1, 203.6, 205, 273, 294–295, 318,  
D3/903, 905; D9/414, 422, 424, 430, 432,  
D9/434; D14/356, 432, 435–436; D21/333;  
D27/183, 186.7, 189; 206/307, 307.1, 308.2,  
206/387.1, 387.11

See application file for complete search history.

(56) **References Cited**

**U.S. PATENT DOCUMENTS**

D168,287 S *	12/1952	Burgess	.....	D3/294
D229,116 S *	11/1973	Ishii	.....	D28/61
D258,705 S *	3/1981	Wheeler	.....	D3/295
4,271,961 A *	6/1981	Blankenmeister	.....	206/216
D260,202 S *	8/1981	Middleton, Jr.	.....	D3/269
4,469,225 A *	9/1984	Takahashi	.....	206/387.1
D294,197 S *	2/1988	Abbott	.....	D3/295
4,913,287 A *	4/1990	Kagano	.....	206/387.1
D309,431 S *	7/1990	Sheehan	.....	D9/424
D310,102 S *	8/1990	Rittenhouse	.....	D19/67
D354,848 S *	1/1995	Lovell	.....	D3/205

D360,525 S *	7/1995	Entwistle	.....	D3/273
D466,296 S *	12/2002	Hellenberg-Hubar	.....	D3/295
D478,689 S *	8/2003	Thorpe	.....	D28/83
D498,925 S *	11/2004	Chen	.....	D3/294
D506,065 S *	6/2005	Sugino et al.	.....	D3/294
D527,182 S *	8/2006	Ham	.....	D3/294
D529,288 S *	10/2006	Ham	.....	D3/294
D541,045 S *	4/2007	Peart et al.	.....	D3/291
D542,529 S *	5/2007	Peart et al.	.....	D3/276

\* cited by examiner

*Primary Examiner*—Philip S. Hyder

*Assistant Examiner*—RoseLynne (Ulm) Cody

(74) *Attorney, Agent, or Firm*—Rader, Fishman & Grauer,  
PLLC

(57) **CLAIM**

The ornamental design for a case for electronic device, as shown and described.

**DESCRIPTION**

FIG. 1 is a front elevational view of a case for electronic device showing my new design;

FIG. 2 is a rear elevational view thereof;

FIG. 3 is a right side elevational view thereof, a left side elevational view thereof being a mirror image;

FIG. 4 is a top plan view thereof;

FIG. 5 is a bottom plan view thereof;

FIG. 6 is a top, right perspective view thereof;

FIG. 7 is a bottom, left perspective view thereof;

FIG. 8 is a cross-sectional view thereof taken along the line VIII—VIII shown in FIG. 1; and,

FIG. 9 is a cross-sectional view thereof taken along the line IX—IX shown in FIG. 1.

**1 Claim, 9 Drawing Sheets**

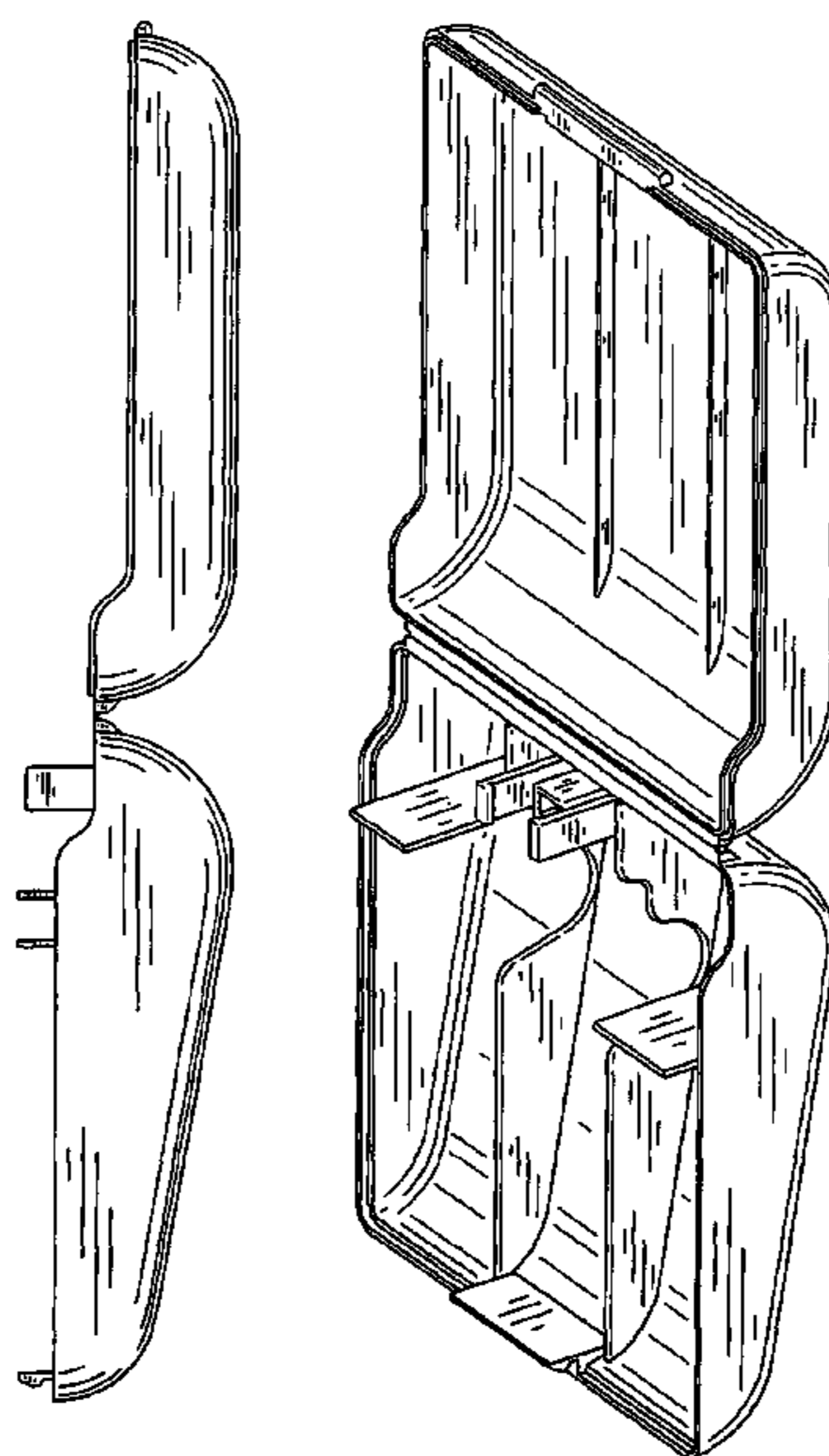


Fig. 1

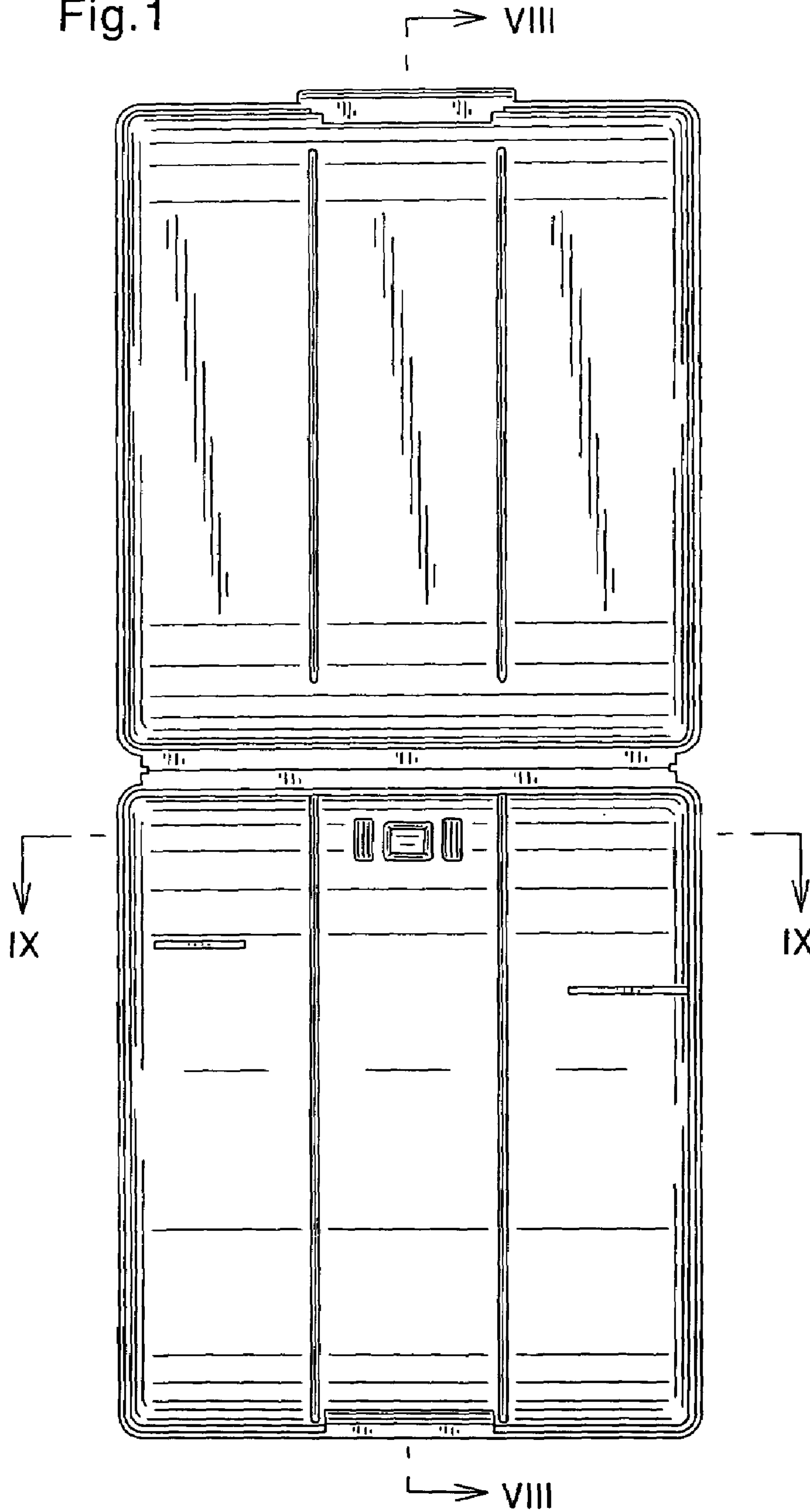


Fig.2

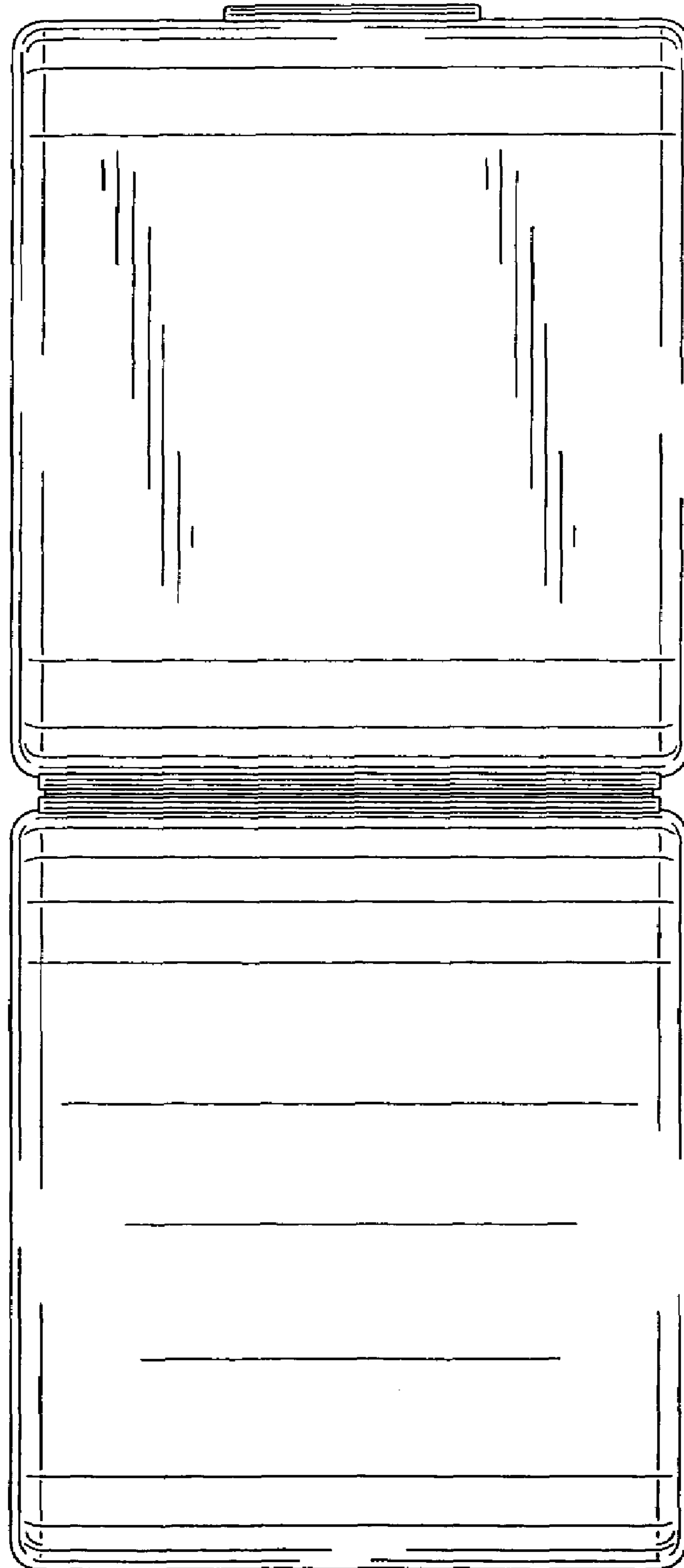


Fig.3

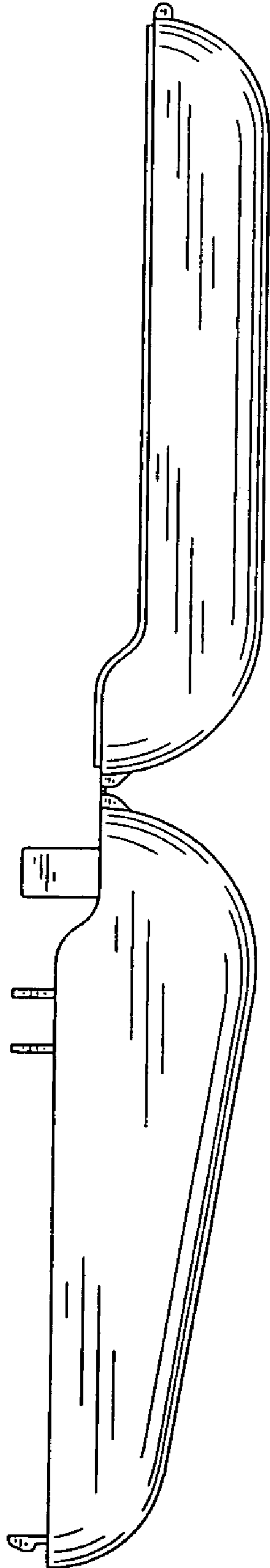


Fig.4

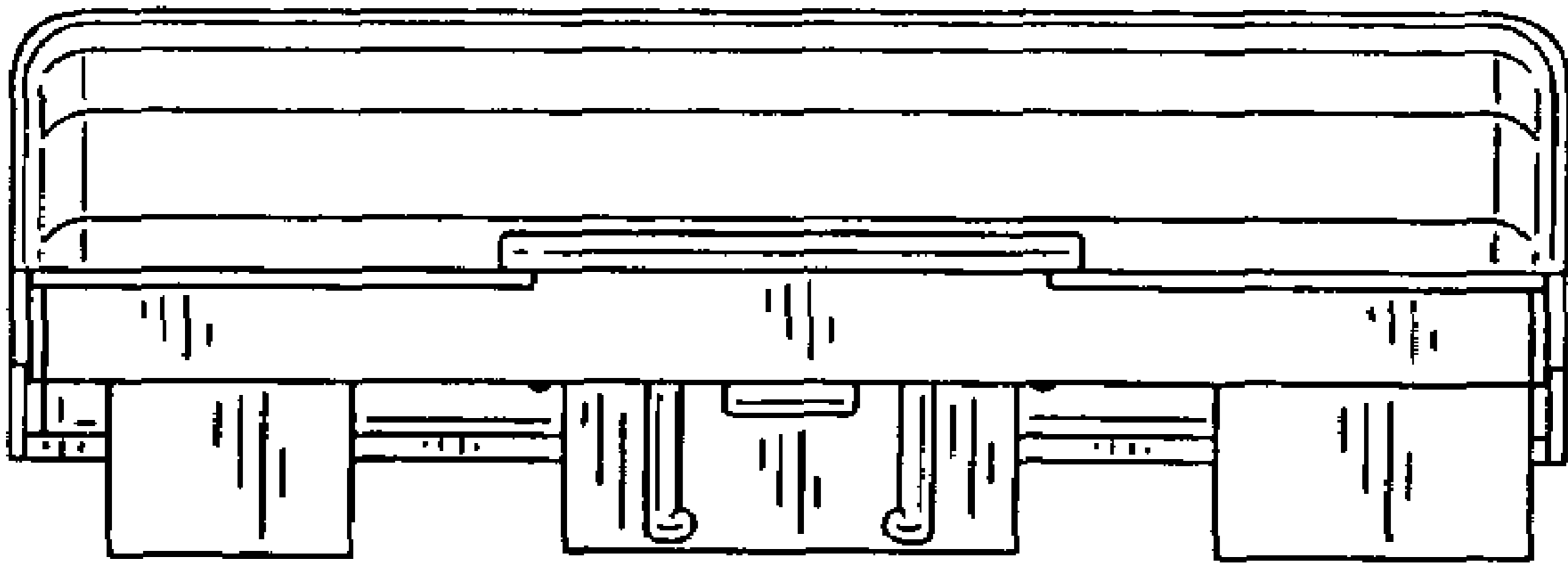


Fig. 5

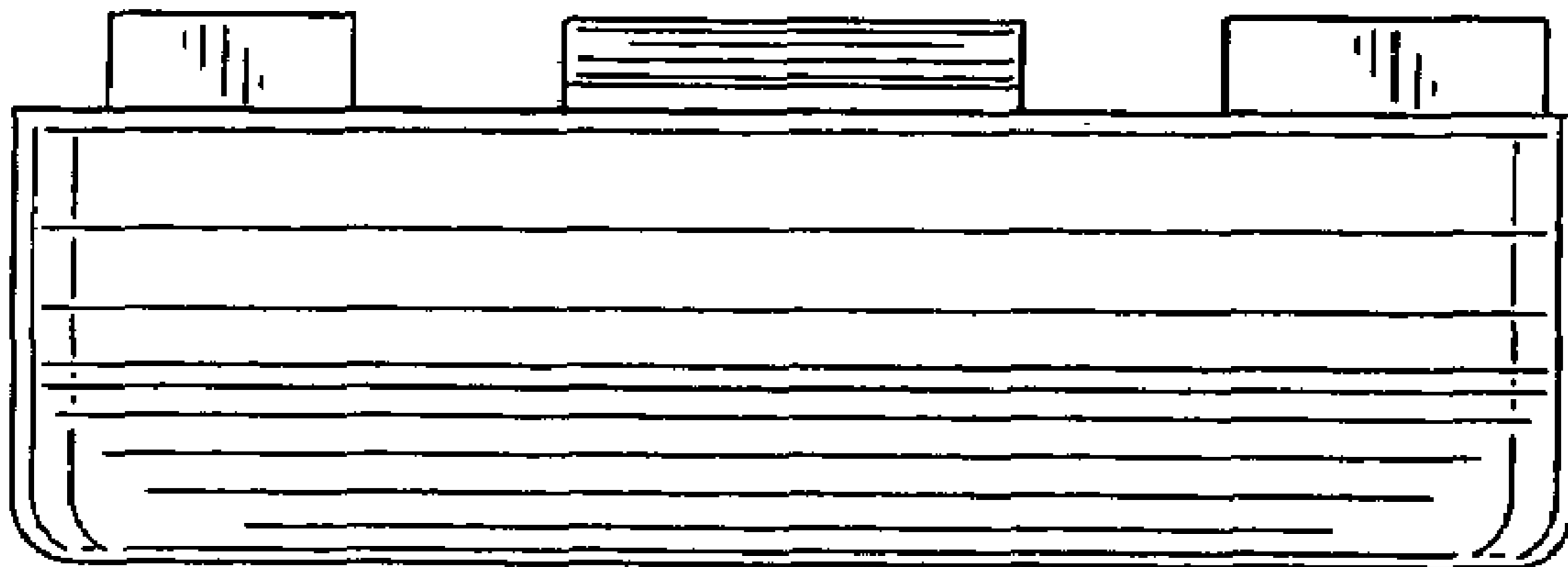


Fig.6

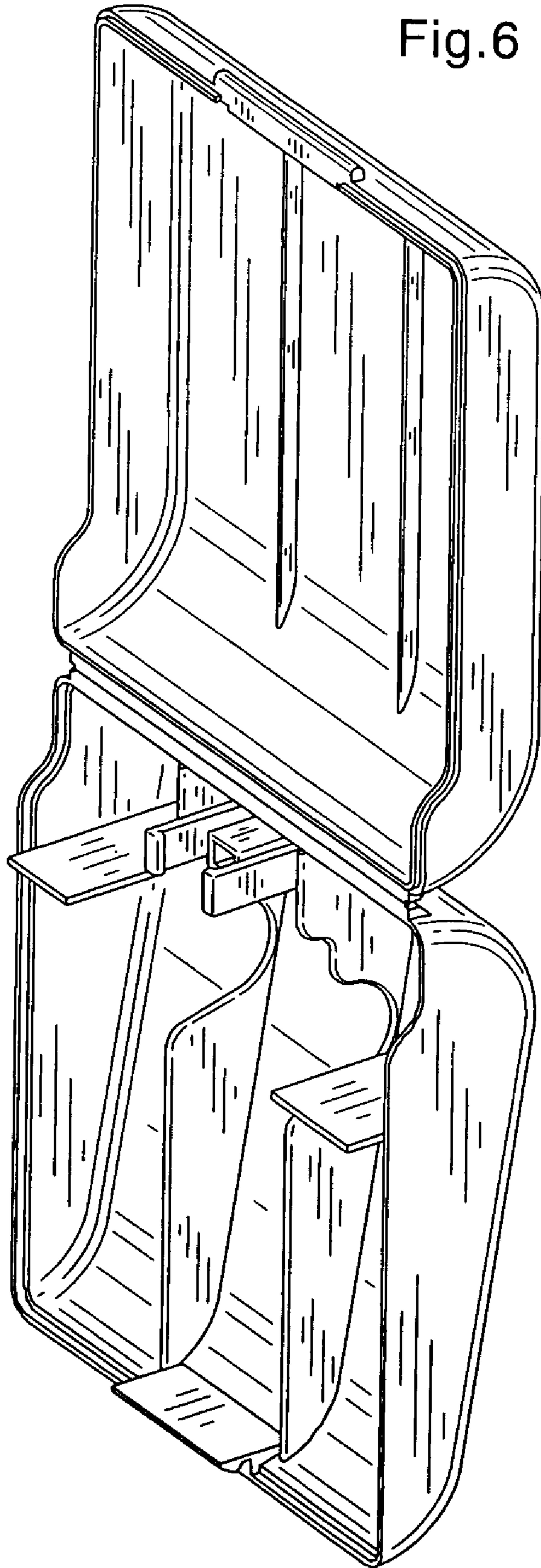


Fig.7

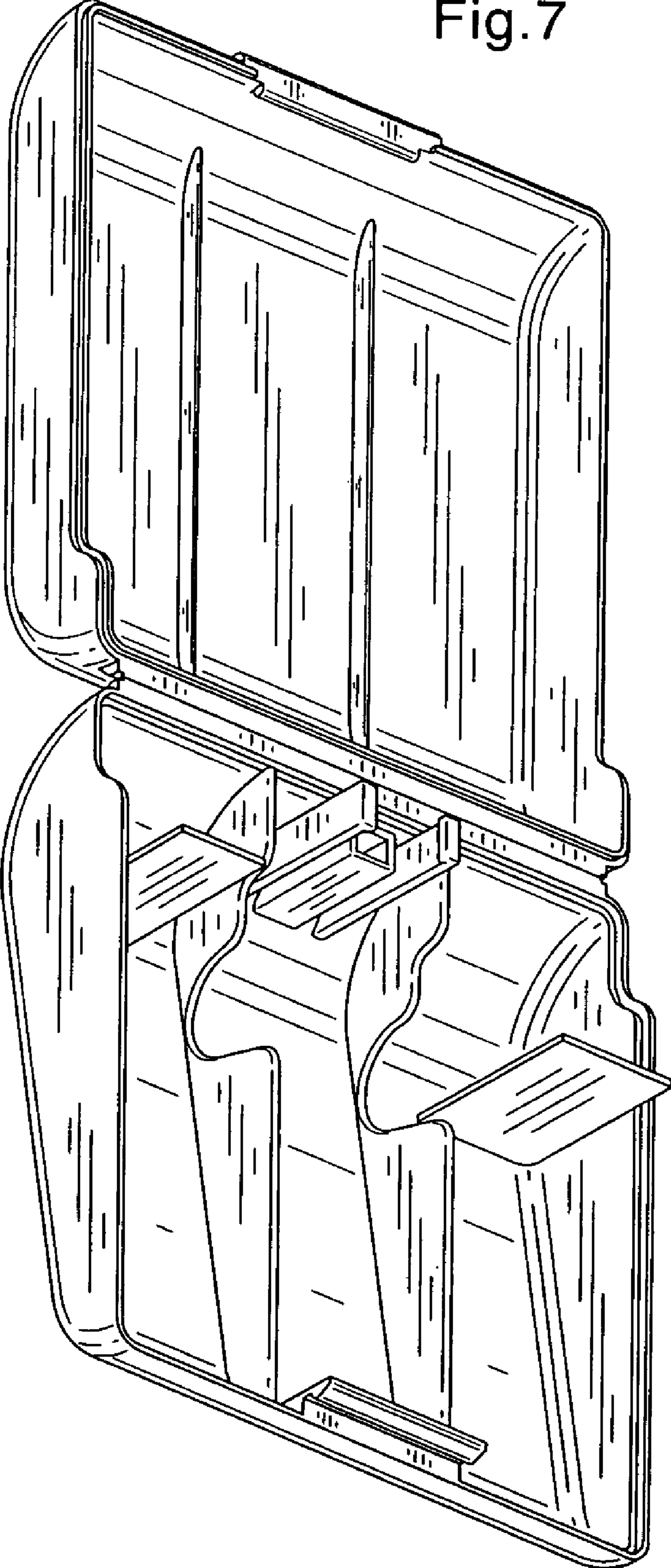




Fig.8

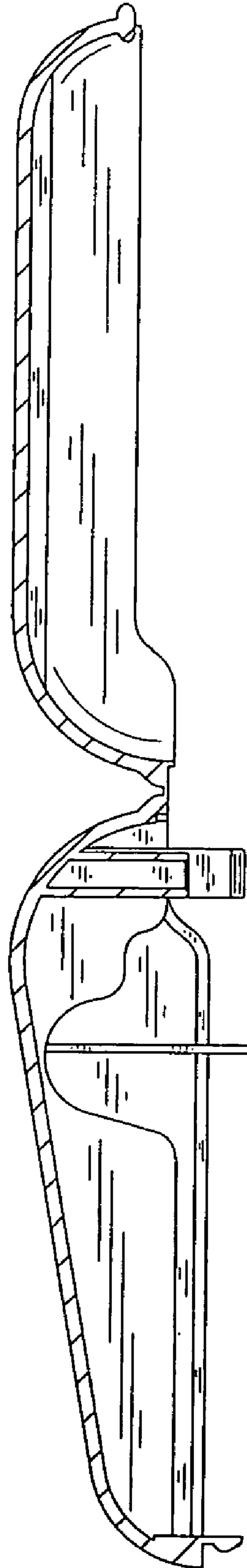


Fig. 9

