



US00D561471S

(12) **United States Design Patent**  
**Nakamura**

(10) **Patent No.:** **US D561,471 S**

(45) **Date of Patent:** **\*\* Feb. 12, 2008**

(54) **CASE FOR ELECTRONIC DEVICE**

(75) Inventor: **Takatoshi Nakamura**, Tokyo (JP)

(73) Assignee: **Sony Computer Entertainment Inc.**,  
Tokyo (JP)

(\*\*) Term: **14 Years**

(21) Appl. No.: **29/268,486**

(22) Filed: **Nov. 8, 2006**

(30) **Foreign Application Priority Data**

May 8, 2006 (JP) ..... D2006-011632

(51) **LOC (8) Cl.** ..... **03-01**

(52) **U.S. Cl.** ..... **D3/294**

(58) **Field of Classification Search** ..... D3/201,  
D3/203.1, 203.6, 205, 273, 294–295, 318,  
D3/903, 905; D9/414, 422, 424, 430, 432,  
D9/434; D14/356, 432, 435–436; D21/333;  
D27/183, 186.7, 189; 206/307, 307.1, 308.2,  
206/387.1, 387.11

See application file for complete search history.

(56) **References Cited**

**U.S. PATENT DOCUMENTS**

D168,287 S \* 12/1952 Burgess ..... D3/294  
D229,116 S \* 11/1973 Ishii ..... D28/61  
D258,705 S \* 3/1981 Wheeler ..... D3/295  
4,271,961 A \* 6/1981 Blankenmeister ..... 206/216  
D260,202 S \* 8/1981 Middleton, Jr. .... D3/269  
4,469,225 A \* 9/1984 Takahashi ..... 206/387.1  
D294,197 S \* 2/1988 Abbott ..... D3/295  
4,913,287 A \* 4/1990 Kagano ..... 206/387.1  
D309,431 S \* 7/1990 Sheehan ..... D9/424  
D310,102 S \* 8/1990 Rittenhouse ..... D19/67  
D354,848 S \* 1/1995 Lovell ..... D3/205

D360,525 S \* 7/1995 Entwistle ..... D3/273  
D466,296 S \* 12/2002 Hellenberg-Hubar ..... D3/295  
D478,689 S \* 8/2003 Thorpe ..... D28/83  
D498,925 S \* 11/2004 Chen ..... D3/294  
D506,065 S \* 6/2005 Sugino et al. .... D3/294  
D527,182 S \* 8/2006 Ham ..... D3/294  
D529,288 S \* 10/2006 Ham ..... D3/294  
D541,045 S \* 4/2007 Peart et al. .... D3/291  
D542,529 S \* 5/2007 Peart et al. .... D3/276

\* cited by examiner

*Primary Examiner*—Philip S. Hyder

*Assistant Examiner*—R. L. (Ulm) Cody

(74) *Attorney, Agent, or Firm*—Radar, Fishman & Grauer,  
PLLC

(57) **CLAIM**

The ornamental design for a case for electronic device, as shown and described.

**DESCRIPTION**

FIG. 1 is a front elevational view of a case for electronic device showing my new design;

FIG. 2 is a rear elevational view thereof;

FIG. 3 is a right side elevational view thereof, a left side elevational view thereof being a mirror image;

FIG. 4 is a top plan view thereof;

FIG. 5 is a bottom plan view thereof;

FIG. 6 is a top, right perspective view thereof;

FIG. 7 is a bottom, left perspective view thereof;

FIG. 8 is a cross-sectional view thereof taken along the line VIII—VIII shown in FIG. 1; and,

FIG. 9 is a cross-sectional view thereof taken along the line IX—IX shown in FIG. 1.

**1 Claim, 9 Drawing Sheets**

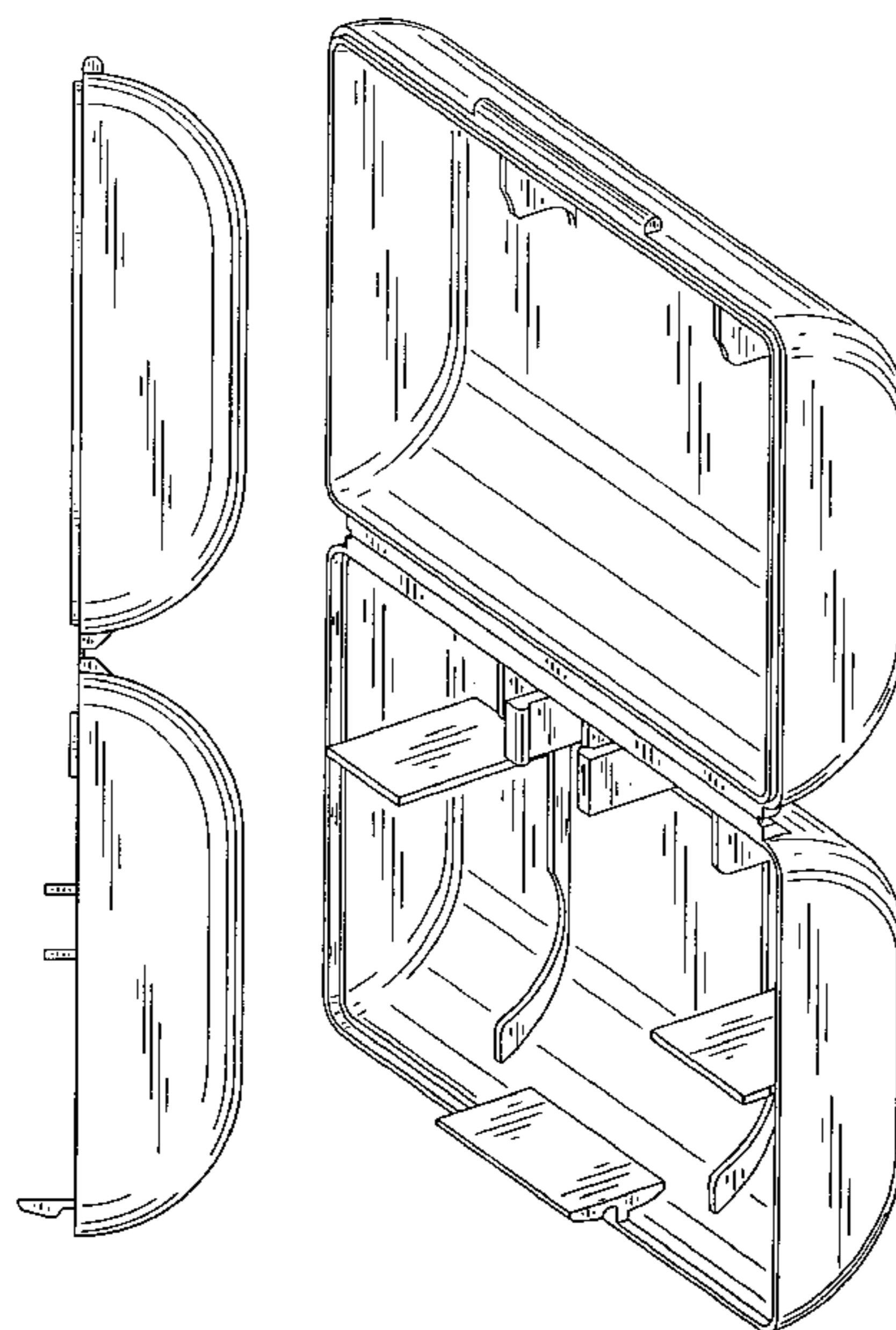


Fig. 1

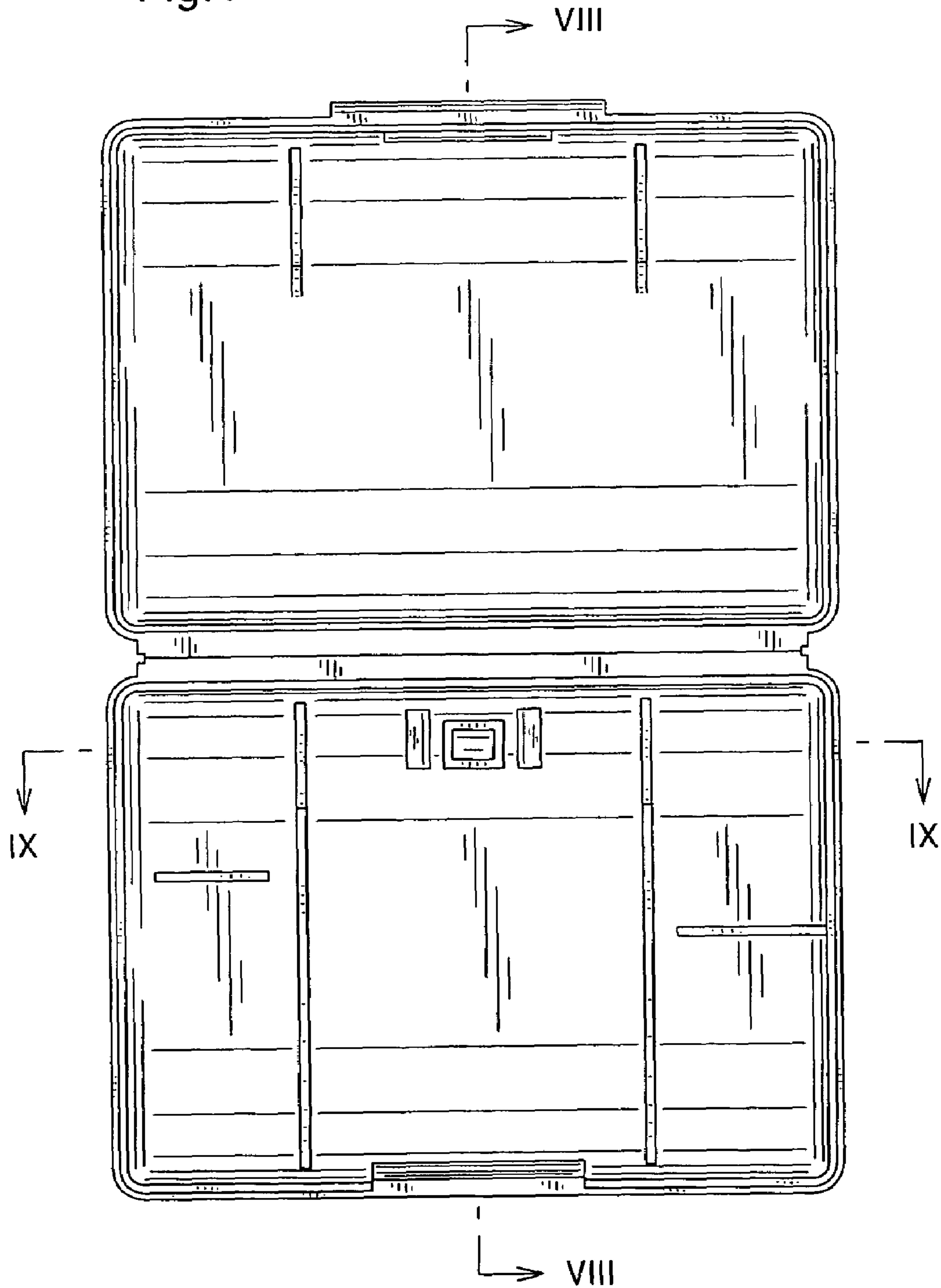


Fig.2

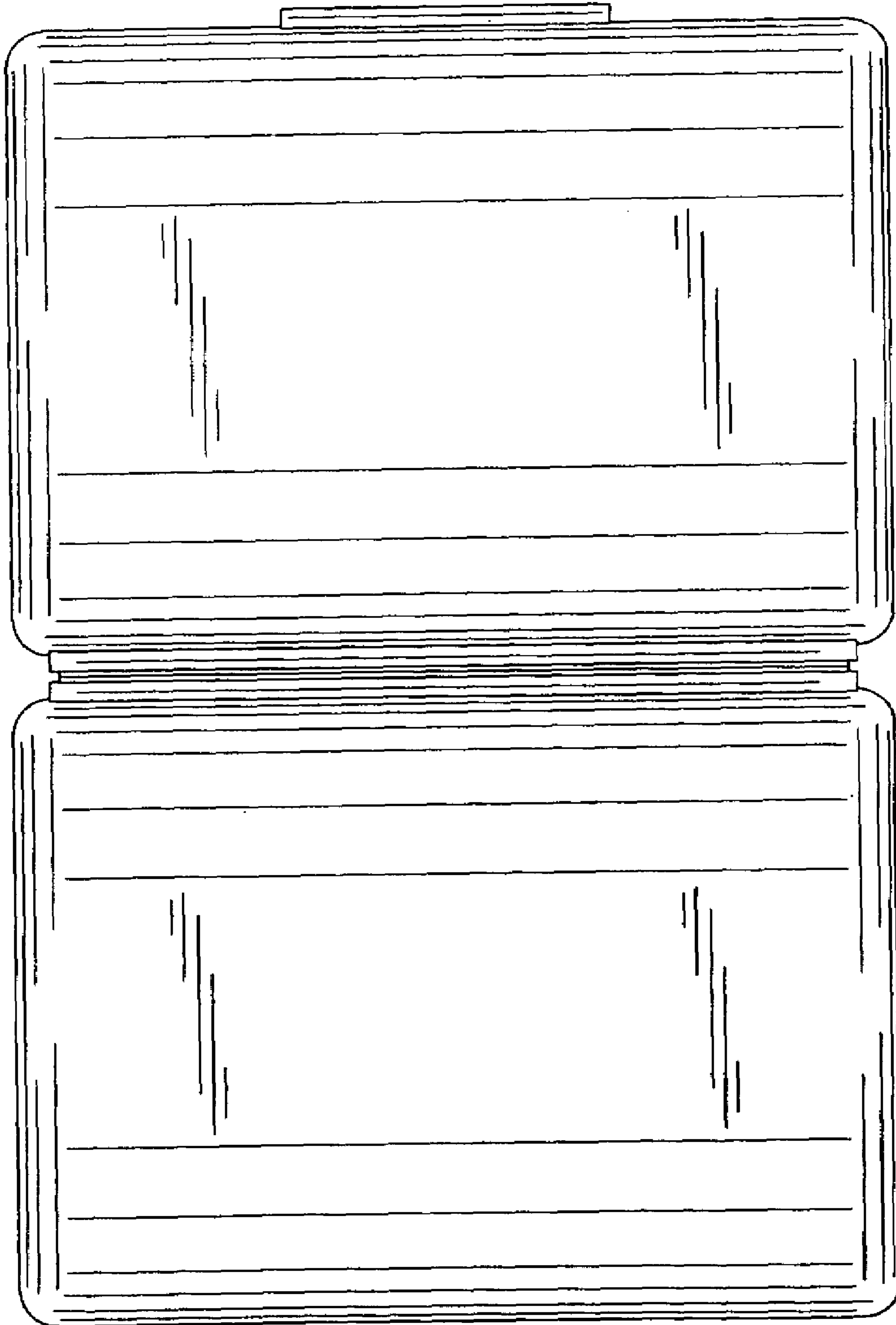


Fig.3

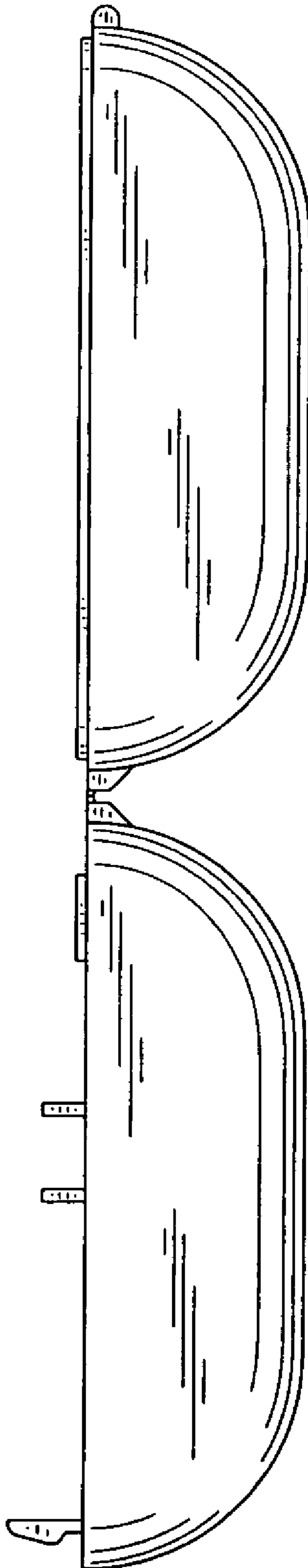


Fig.4

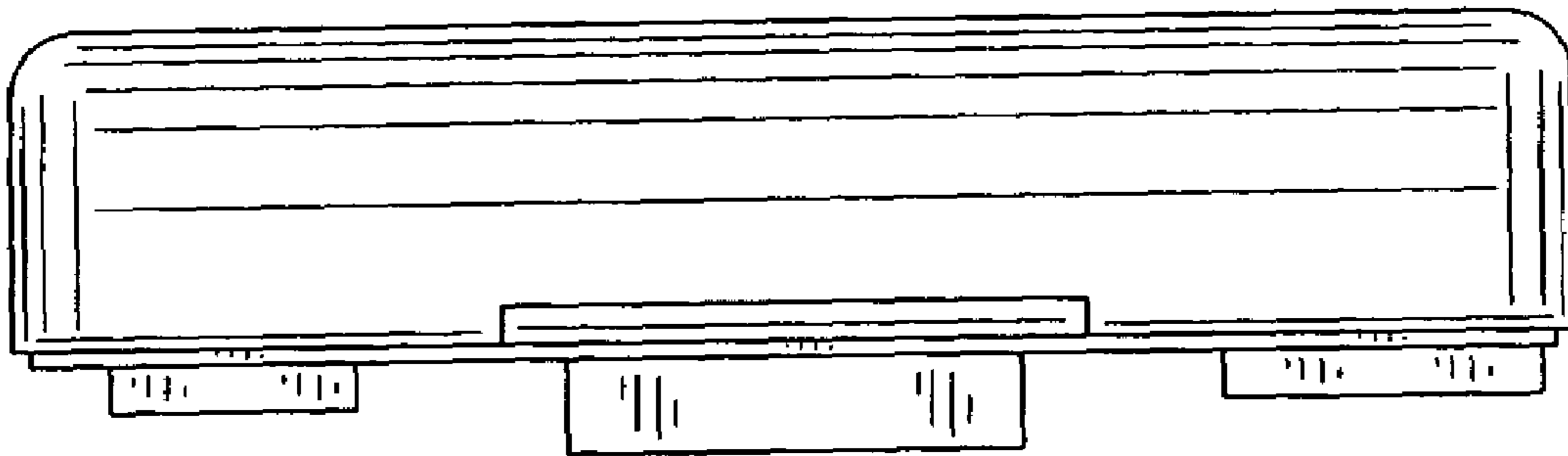


Fig.5

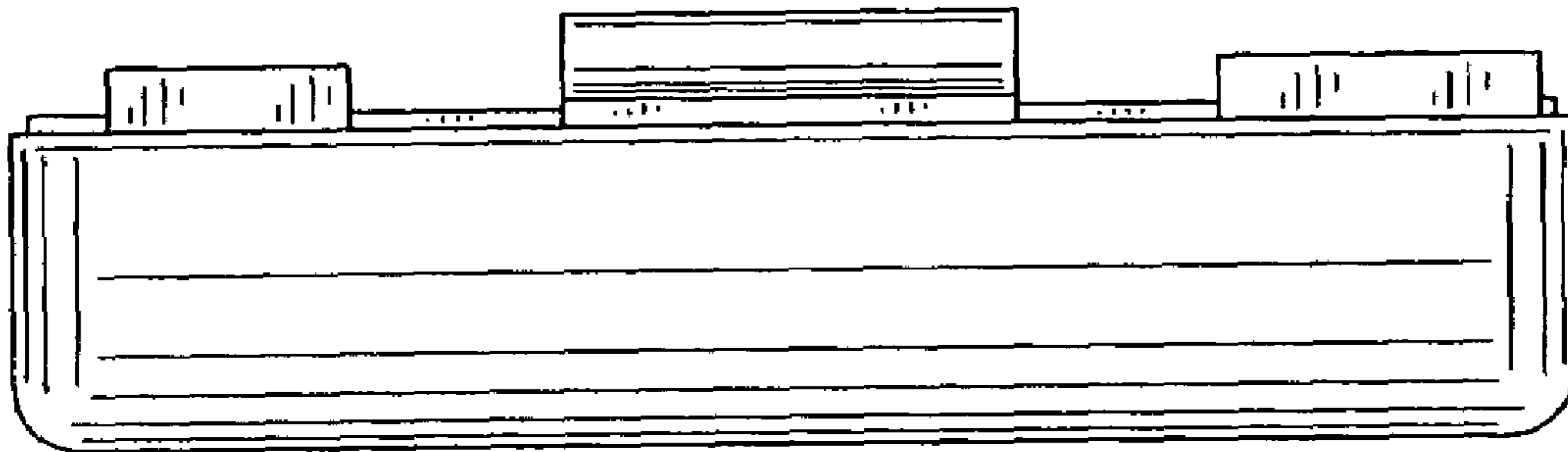


Fig.6

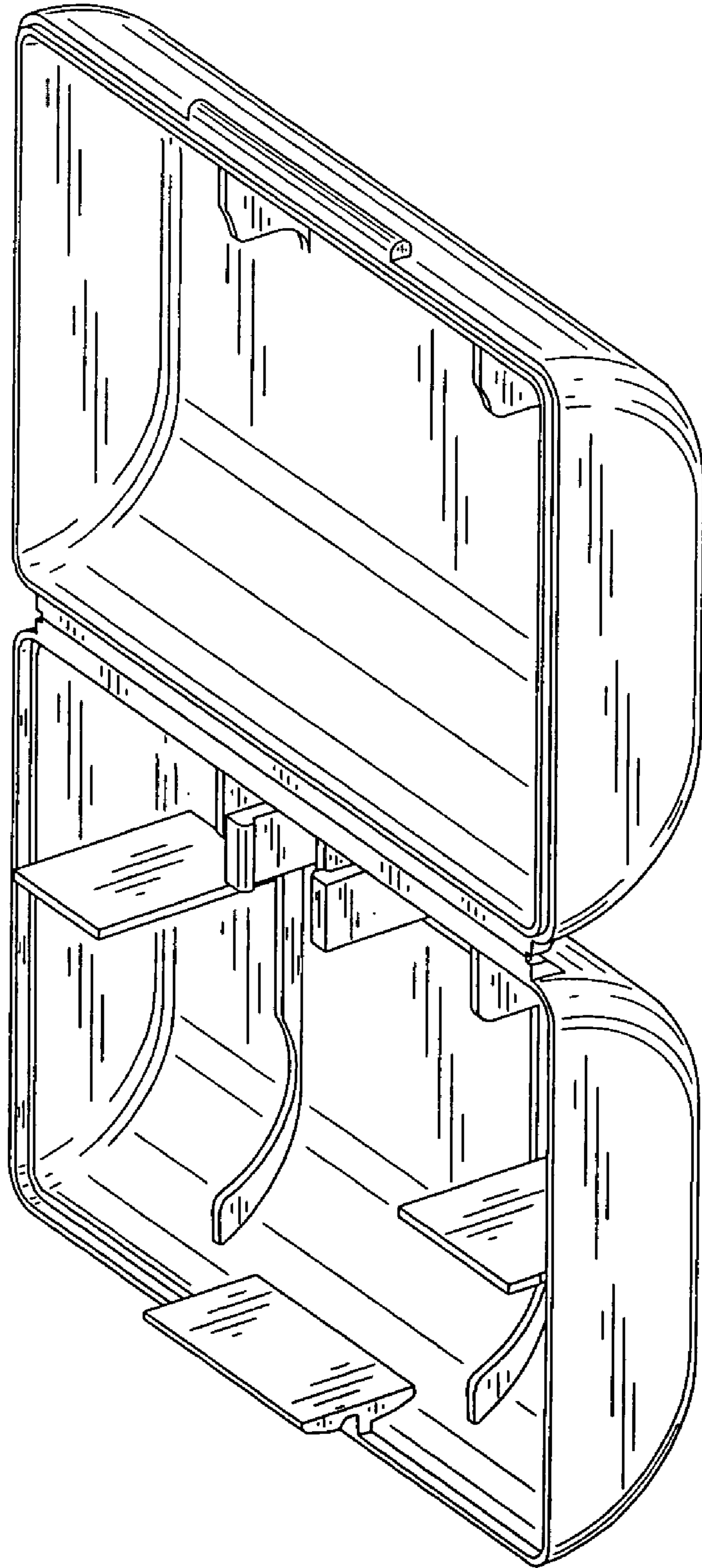


Fig.7

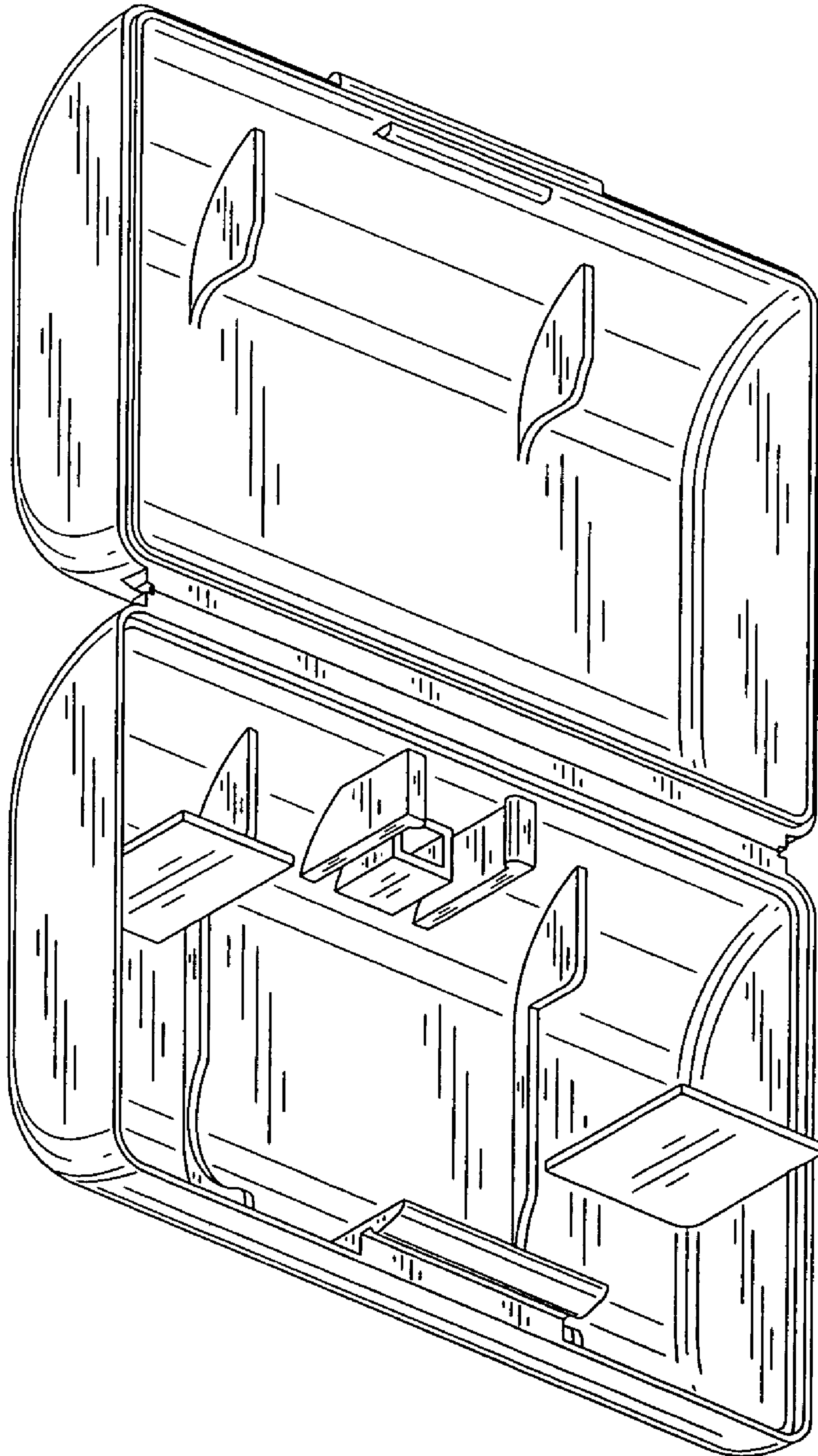




Fig. 8

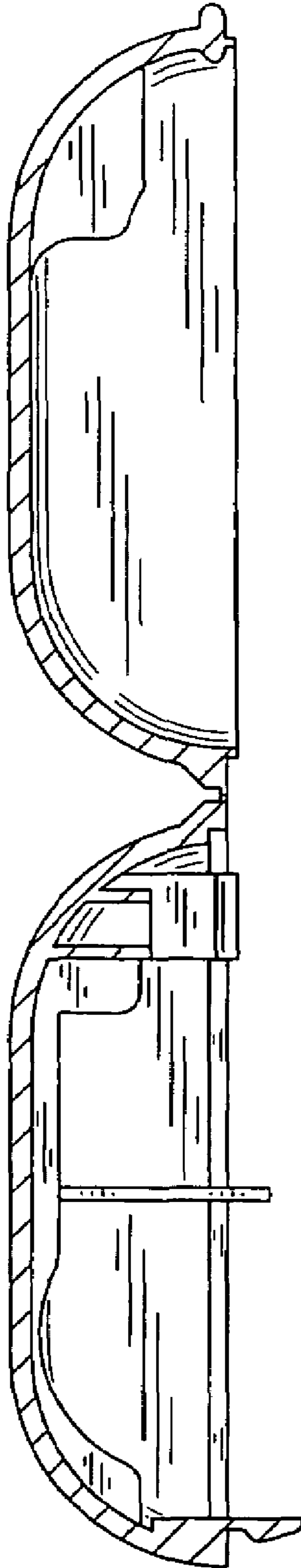


Fig.9

