



US00D561470S

(12) **United States Design Patent**
Jalet

(10) **Patent No.:** **US D561,470 S**

(45) **Date of Patent:** **** Feb. 12, 2008**

(54) **HINGED CONTAINER**

(75) Inventor: **Vincent Jalet**, Brussels (BE)

(73) Assignee: **Dart Industries Inc.**, Orlando, FL (US)

(**) Term: **14 Years**

(21) Appl. No.: **29/236,627**

(22) Filed: **Aug. 19, 2005**

(51) **LOC (8) Cl.** **03-01**

(52) **U.S. Cl.** **D3/294; D9/428**

(58) **Field of Classification Search** D3/201,
D3/203.2, 273, 294, 301; D9/428; D28/82;
220/810, 825, 833, 834, 835

See application file for complete search history.

(56) **References Cited**

U.S. PATENT DOCUMENTS

3,043,354 A	7/1962	Fitzgerald	
D238,756 S *	2/1976	Swett	D9/420
D257,790 S *	1/1981	Kesling	D24/227
4,244,470 A	1/1981	Burnham	
D303,584 S *	9/1989	Bakic	D28/91
D307,243 S	4/1990	Baker	
D316,932 S *	5/1991	Escher, Jr.	D3/265
D322,031 S *	12/1991	Fleming	D9/424
5,092,479 A	3/1992	Wells	
D355,072 S	2/1995	Tiramani	
D367,211 S *	2/1996	Cautereels	D7/629
D369,905 S *	5/1996	Hunt	D3/273
D372,862 S	8/1996	Fiori	
5,657,894 A	8/1997	Bowen	

D383,939 S	9/1997	Jeppesen et al.	
D400,011 S *	10/1998	Palmer et al.	D3/294
6,041,957 A	3/2000	Janetos	
D437,685 S	2/2001	Liu	
D458,127 S	6/2002	de Groote	
D468,058 S *	12/2002	Thorpe	D28/82
D476,572 S *	7/2003	Merritt	D9/504
D512,872 S	12/2005	McMahon, III et al.	

* cited by examiner

Primary Examiner—Philip S. Hyder

(74) *Attorney, Agent, or Firm*—John A. Doninger

(57) **CLAIM**

The ornamental design for a hinged container, as shown and described.

DESCRIPTION

FIG. 1 is a top, front perspective view of the hinged container showing the new design;

FIG. 2 is a top plan view thereof;

FIG. 3 is a bottom plan view thereof;

FIG. 4 is a front elevation view thereof;

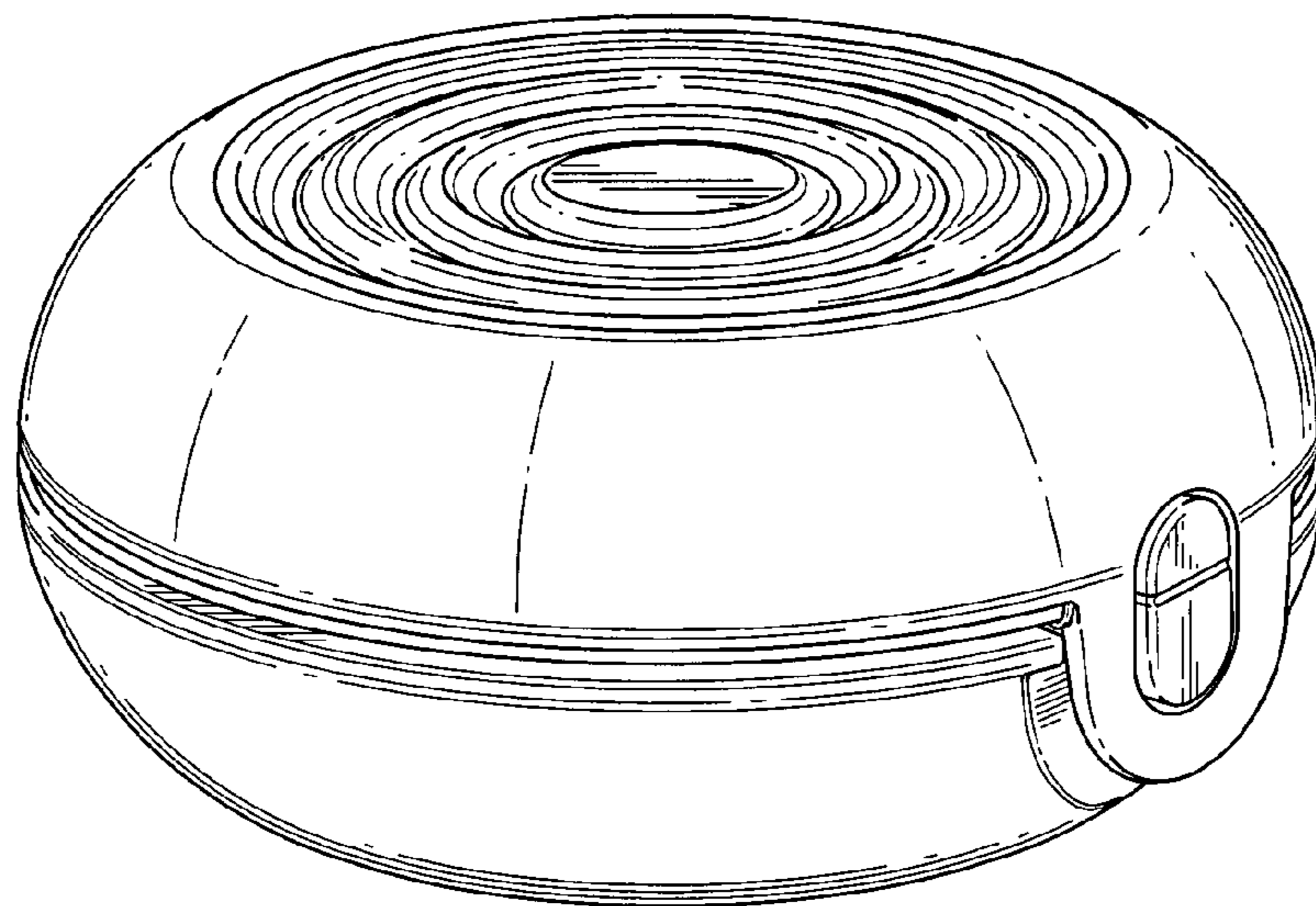
FIG. 5 is a rear elevation view thereof;

FIG. 6 is a right side elevation view thereof; and,

FIG. 7 is a left side elevation view thereof.

The broken line portions of FIG. 3 are included for the purpose of illustrating unclaimed structure and form no part of the claimed design.

1 Claim, 3 Drawing Sheets



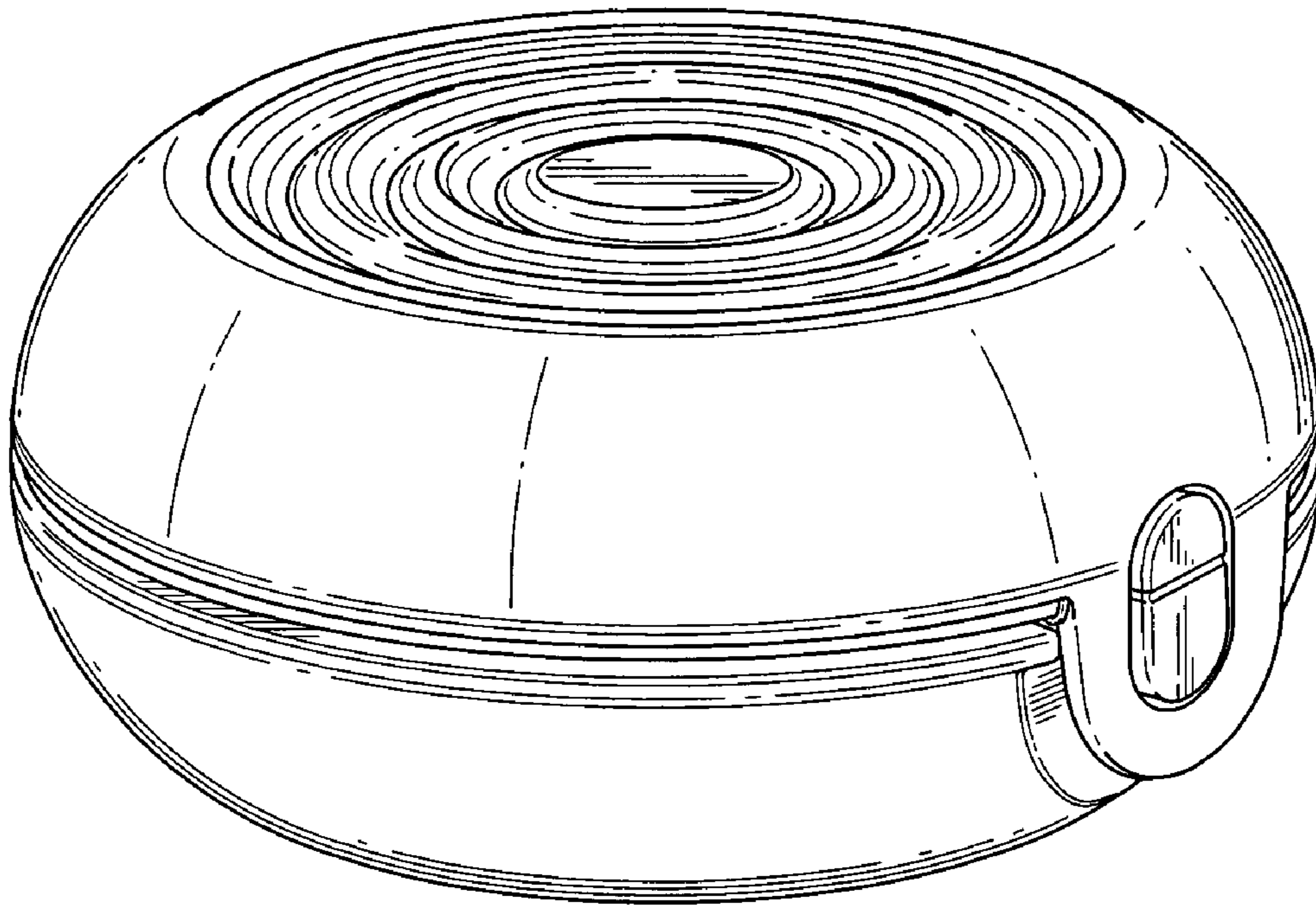


FIG. 1

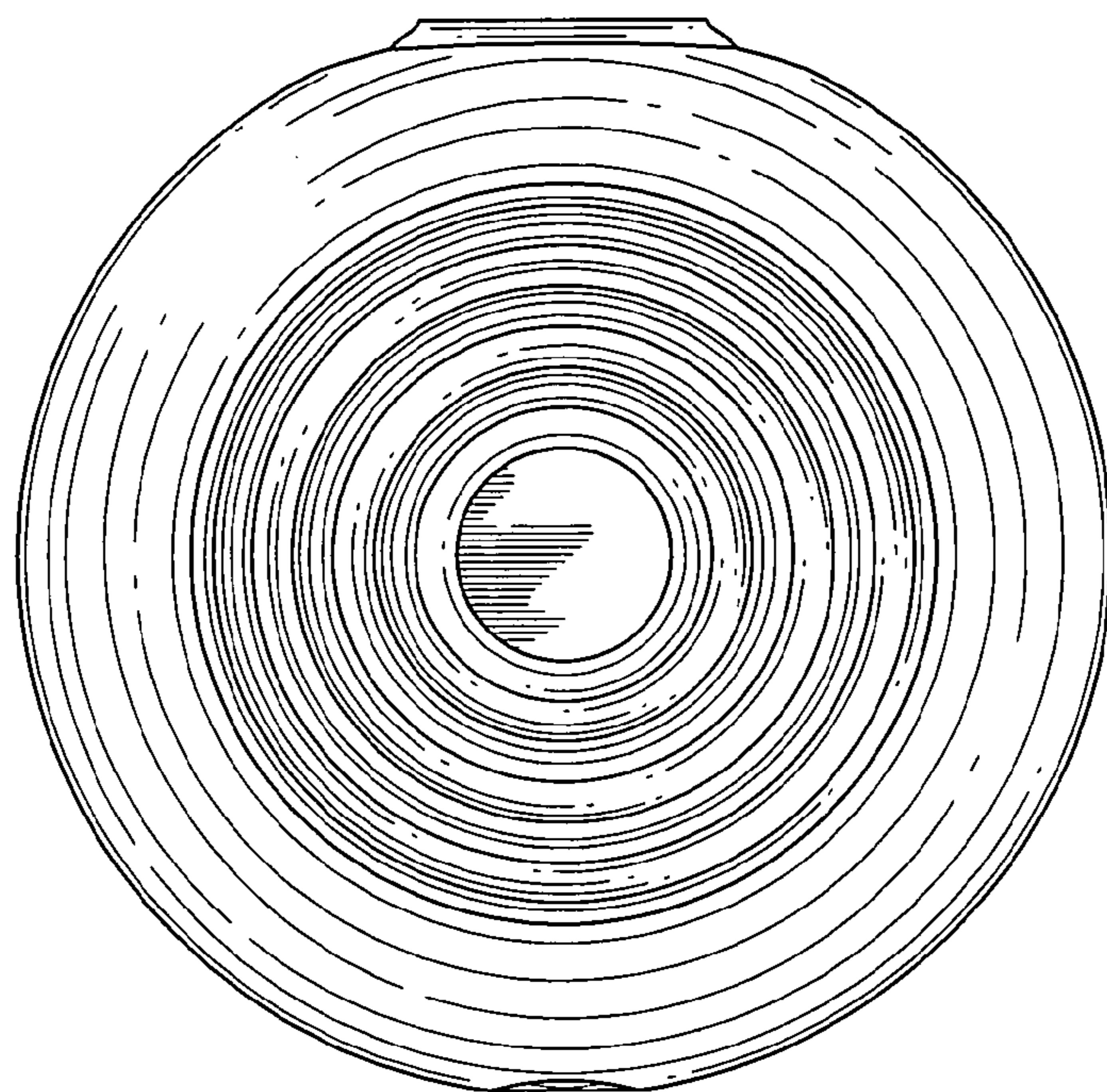


FIG. 2

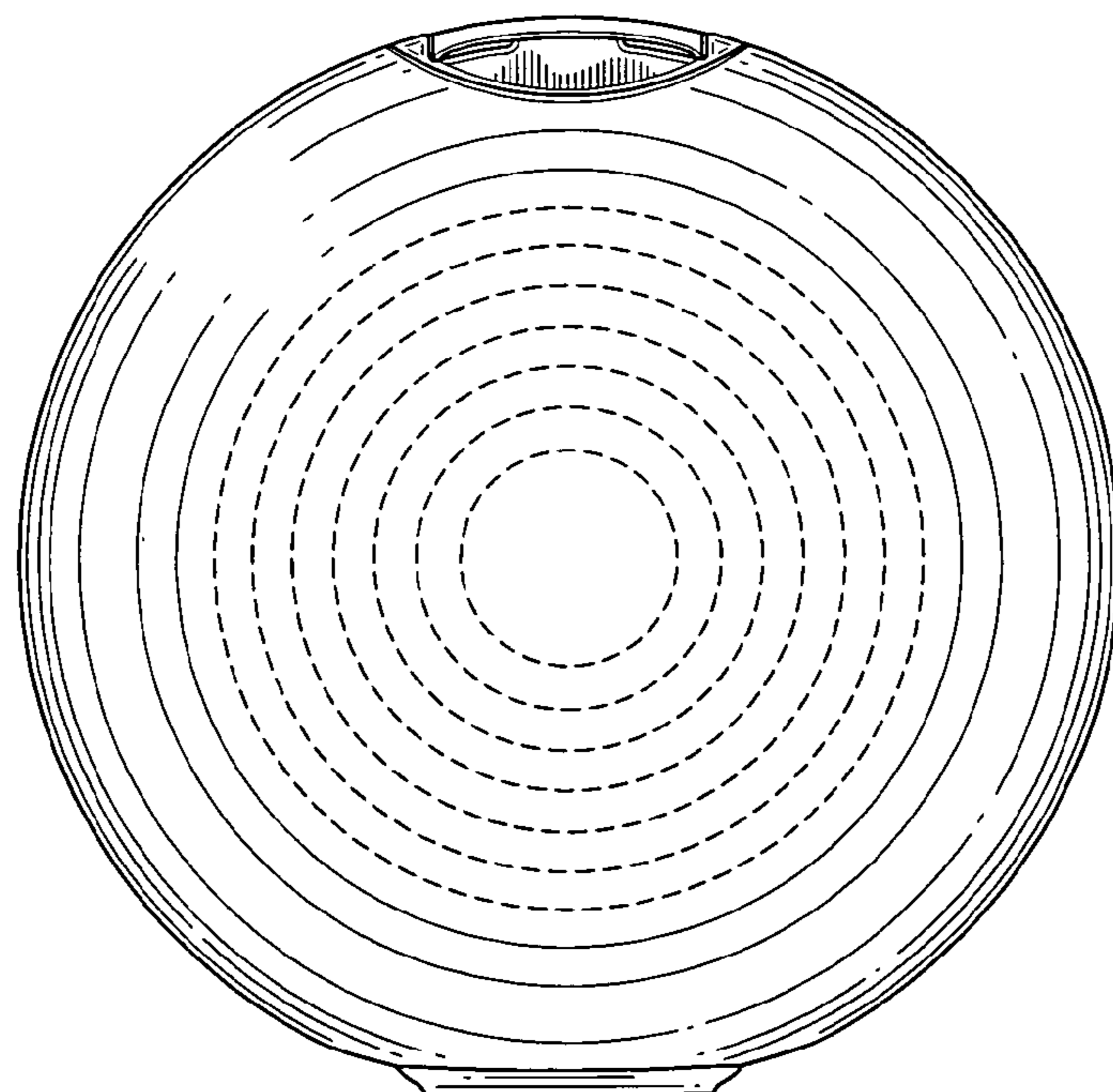


FIG. 3

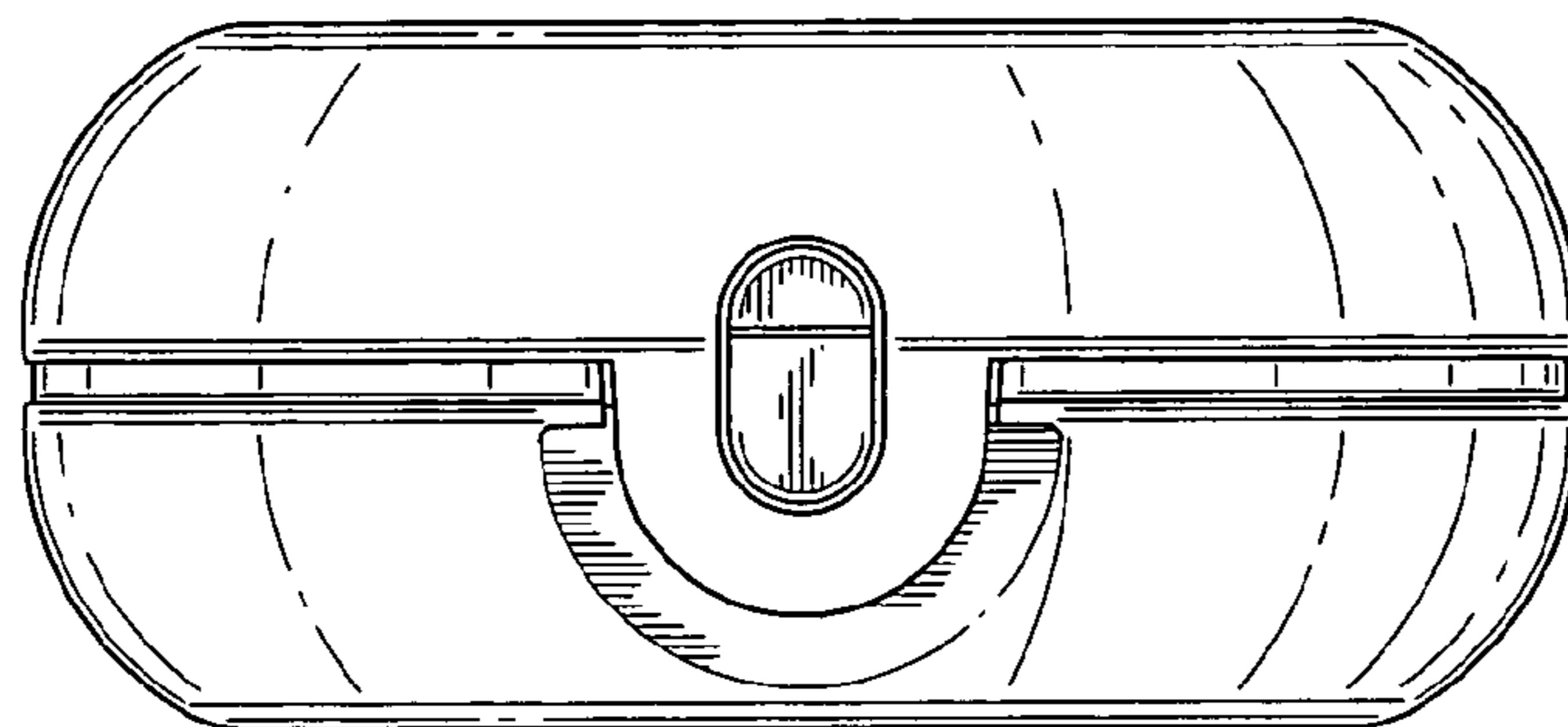


FIG. 4

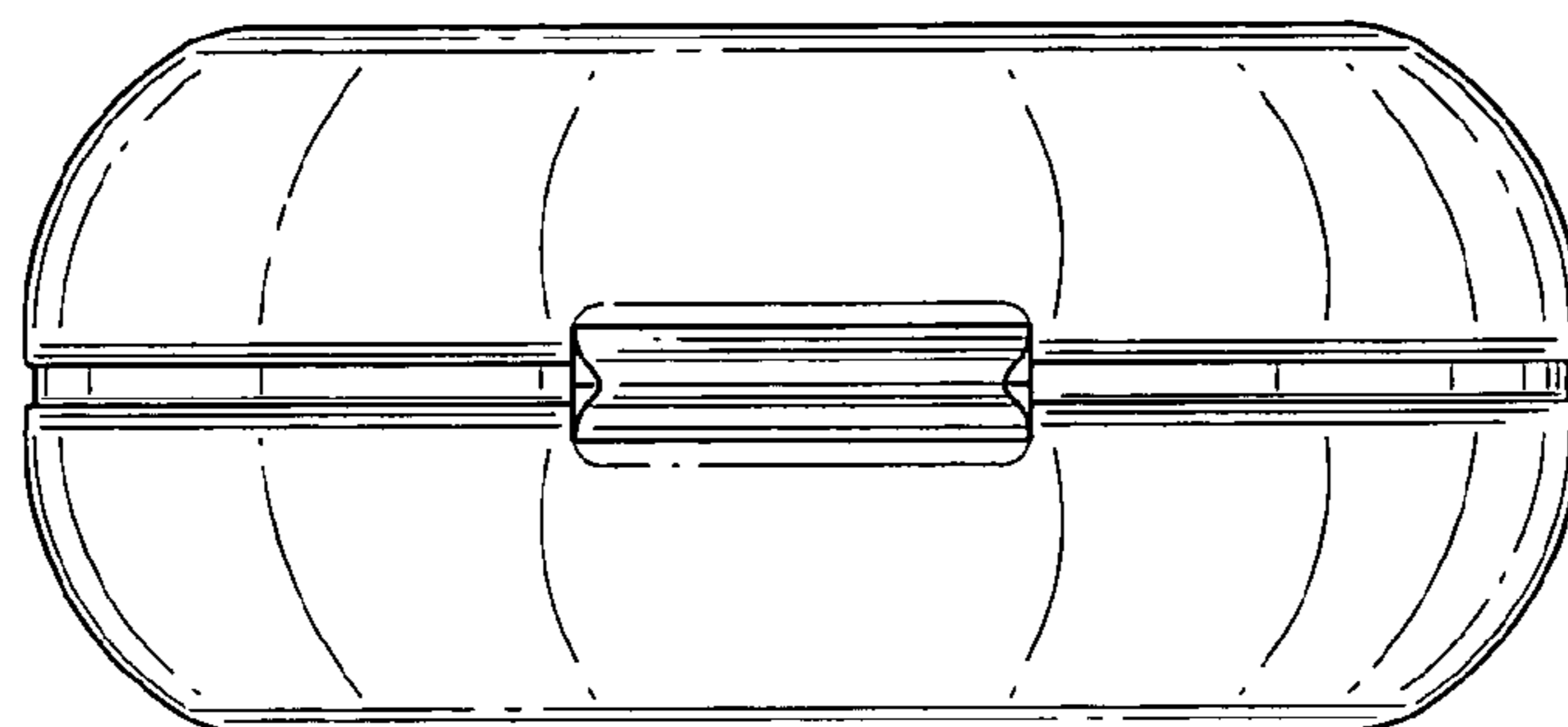


FIG. 5

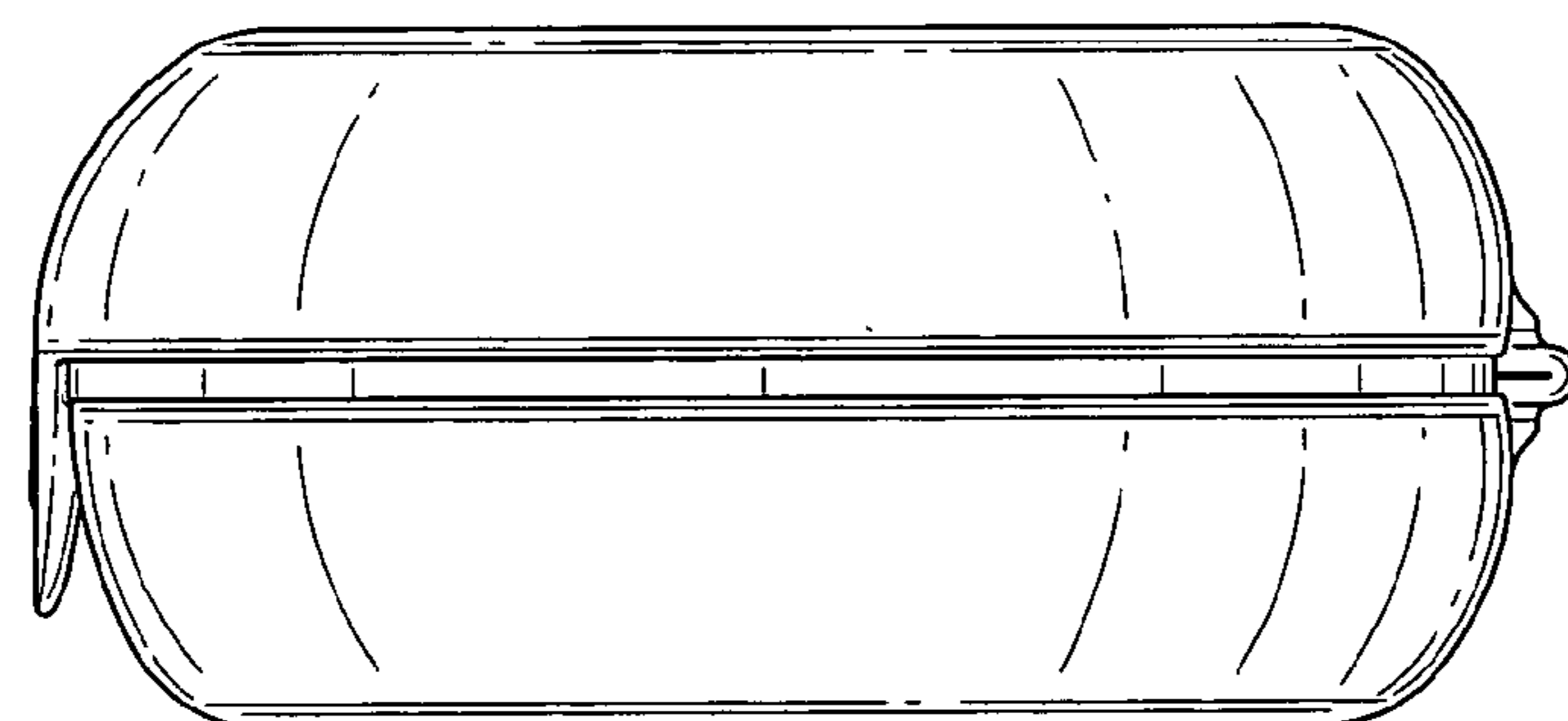


FIG. 6

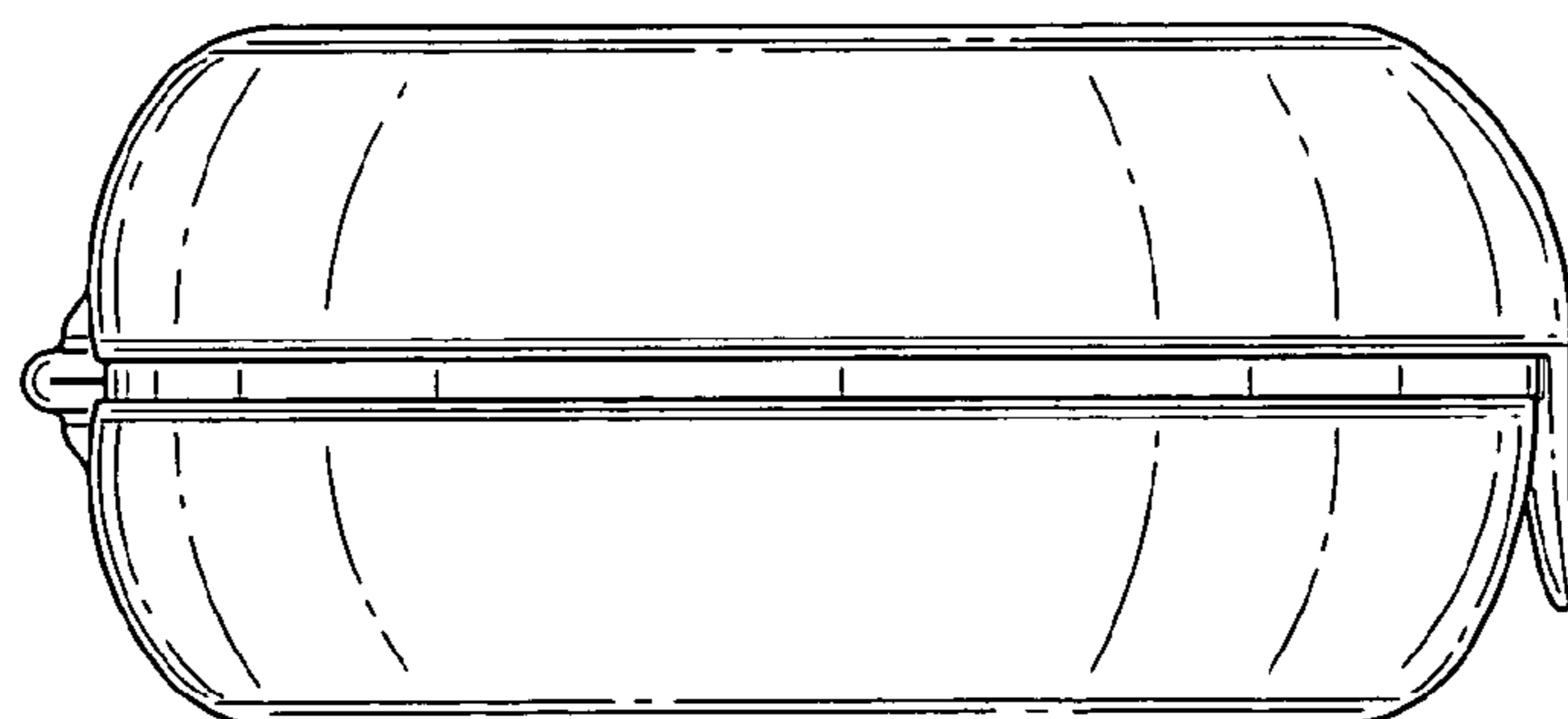


FIG. 7