

US00D561462S

(12) **United States Design Patent**  
**Perella et al.**

(10) **Patent No.: US D561,462 S**  
(45) **Date of Patent: \*\* Feb. 12, 2008**

(54) **STORAGE CONTAINER**

(75) Inventors: **Daniel Perella**, Hudson, OH (US);  
**Anthony DeCarlo**, Bay Village, OH  
(US); **Vincent Thomson**, Avon Lake,  
OH (US)

(73) Assignee: **Ideastream Consumer Products LLC**,  
Parma, OH (US)

(\*\*) Term: **14 Years**

(21) Appl. No.: **29/216,845**

(22) Filed: **Nov. 10, 2004**

(51) **LOC (8) Cl.** ..... **03-01**

(52) **U.S. Cl.** ..... **D3/206**

(58) **Field of Classification Search** ..... D3/201,  
D3/205, 206, 215, 219, 226, 265, 266, 272,  
D3/294, 299, 318, 319, 321, 322; 190/109,  
190/119, 903; D19/35, 41, 59, 75, 77, 82,  
D19/83, 85; D21/483, 596; 206/1.7, 37, 38,  
206/45.2, 214, 215, 216, 223, 224, 252, 371,  
206/379, 425, 457, 523, 575, 746; 211/69.1,  
211/69.5, 168; 220/528, 816, 836; 224/230;  
248/454, 456

See application file for complete search history.

(56) **References Cited**

**U.S. PATENT DOCUMENTS**

792,731 A \* 6/1905 Romunder ..... D3/272  
1,068,189 A \* 7/1913 Waldschmitt ..... D3/321  
D45,251 S \* 2/1914 Chodorkow et al. .... D3/272

(Continued)

*Primary Examiner*—Gary D. Watson

*Assistant Examiner*—Monica A Weingart

(74) *Attorney, Agent, or Firm*—Pillsbury Winthrop Shaw  
Pittman LLP

(57) **CLAIM**

The ornamental design for a storage container for writing  
implements, as shown and described.

**DESCRIPTION**

FIG. 1 is a perspective view of a storage container embody-  
ing one aspect of our new design;

FIG. 2 is a front elevational view of the storage container of  
FIG. 1;

FIG. 3 is a rear elevational view of the storage container of  
FIG. 1;

FIG. 4 is a left side profile view of the storage container of  
FIG. 1;

FIG. 5 is a right side profile view of the storage container of  
FIG. 1;

FIG. 6 is a top plan view of the storage container of FIG. 1;

FIG. 7 is a bottom plan view of the storage container of FIG.  
1;

FIG. 8 is a perspective view of a storage container embody-  
ing another aspect of our new design;

FIG. 9 is a front elevational view of the storage container of  
FIG. 8;

FIG. 10 is a rear elevational view of the storage container of  
FIG. 8;

FIG. 11 is a left side profile view of the storage container of  
FIG. 8;

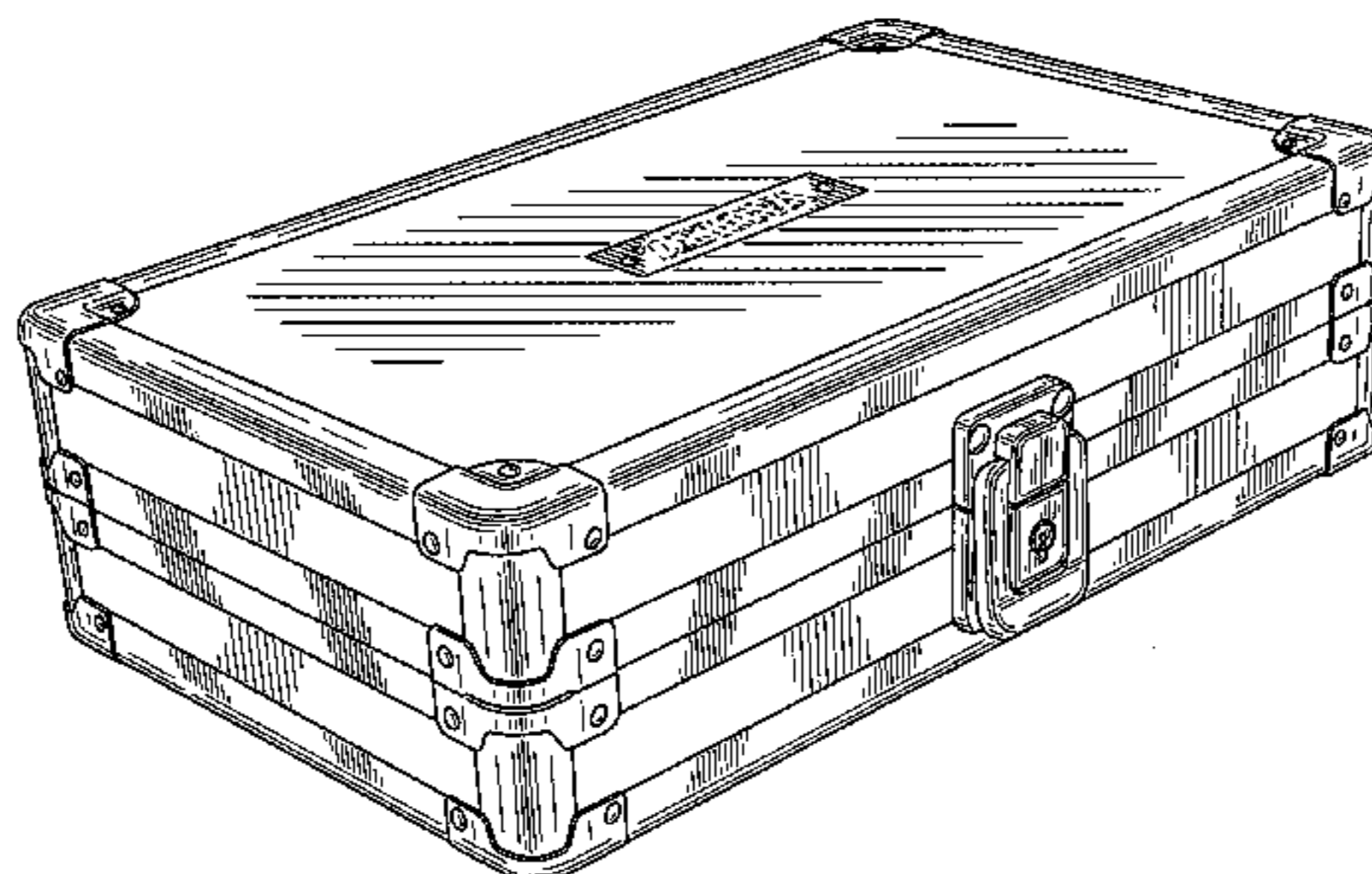
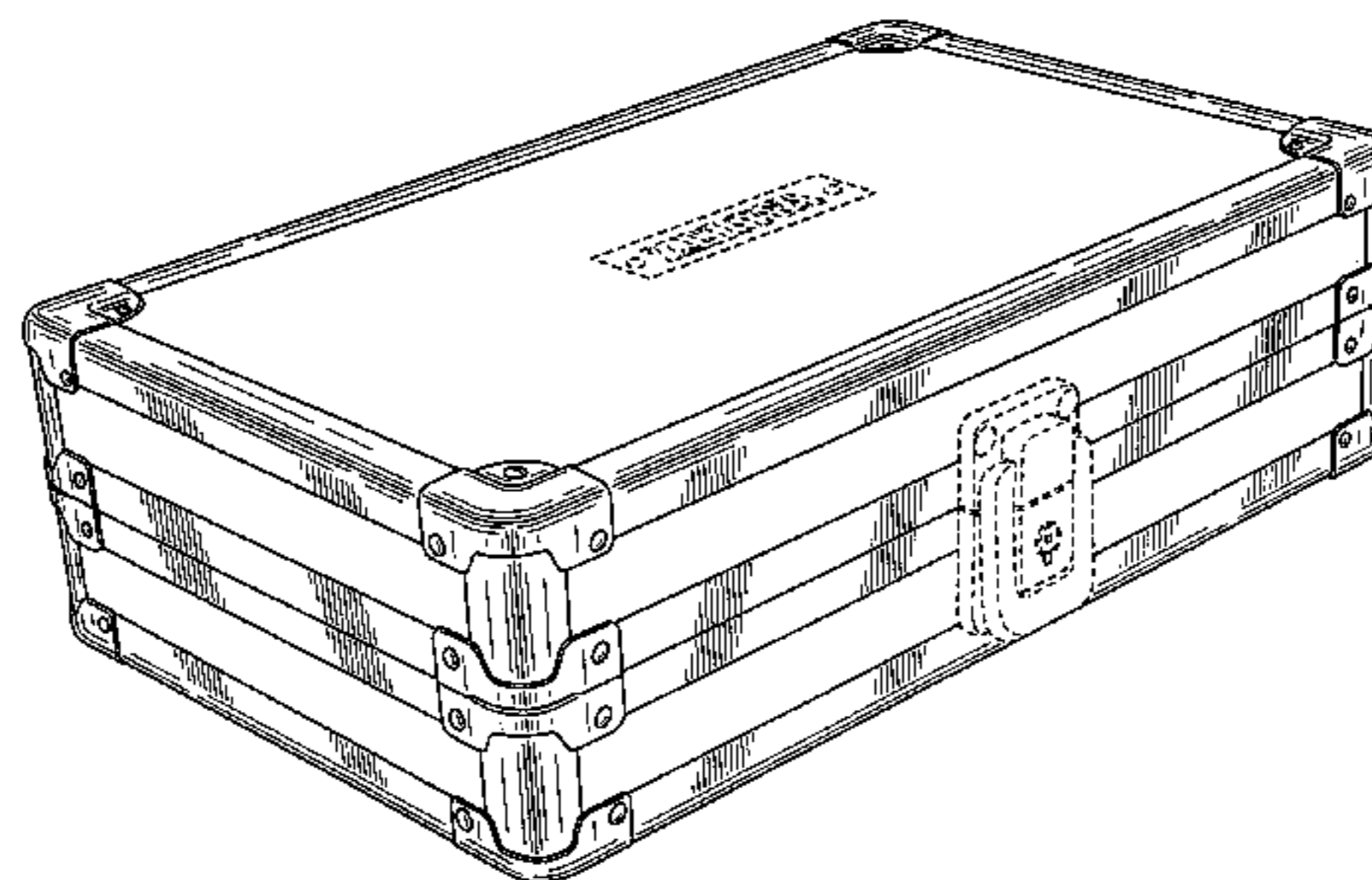
FIG. 12 is a right side profile view of the storage container  
of FIG. 8;

FIG. 13 is a top plan view of the storage container of FIG.  
8; and,

FIG. 14 is a bottom plan view of the storage container of  
FIG. 8.

Subject matter shown in broken lines forms no part of the  
claimed invention.

**1 Claim, 10 Drawing Sheets**



# US D561,462 S

Page 2

## U.S. PATENT DOCUMENTS

1,093,484 A	*	4/1914	Schwarzrock .....	D3/321			
D67,730 S		6/1925	Wheary			5,513,066 A	4/1996 Berman
D71,465 S		11/1926	Langmuir			5,528,453 A	6/1996 Berman et al.
1,767,143 A		6/1930	Laduke			D378,164 S	2/1997 Lee
D82,782 S	*	12/1930	Apter .....	D3/272		D386,614 S	11/1997 Smith
D108,941 S		3/1938	Goldberg			D388,251 S	12/1997 Smith
D129,108 S		8/1941	Sprague			D393,526 S	4/1998 Robey et al.
D152,482 S		1/1949	Kendall et al.			D401,408 S	11/1998 Sun et al.
2,511,949 A		6/1950	Simon			D410,351 S	6/1999 Magnusson et al.
D160,949 S		11/1950	Knell			D414,037 S	9/1999 Akaike et al.
2,558,839 A		7/1951	Goldberg			D414,646 S	10/1999 Ouguerouz
2,626,025 A		1/1953	Sherman			D415,614 S	10/1999 Akaike et al.
2,631,725 A		3/1953	Miller			D419,766 S	2/2000 Rekuc
D170,965 S		12/1953	Claus			6,021,891 A	* 2/2000 Anderson ..... 206/214
D202,160 S		8/1965	Territo et al.			D431,392 S	10/2000 Felsenthal
D232,782 S		9/1974	Kryter			6,193,340 B1	2/2001 Schenker et al.
D247,993 S		5/1978	Calzone, III			D439,044 S	3/2001 Cheng
D256,737 S		9/1980	Woodhall			D454,750 S	3/2002 Bieda
D268,380 S		3/1983	Thiele			D460,878 S	7/2002 Keller
4,509,622 A		4/1985	Morszeck			D461,339 S	8/2002 Keller
D285,626 S		9/1986	Yen			D467,078 S	12/2002 Snider
D287,429 S		12/1986	Esslinger			D467,428 S	12/2002 Wolf
D288,751 S		3/1987	Fuss et al.			6,513,889 B1	2/2003 Park
D288,753 S		3/1987	Fuss et al.			D471,382 S	3/2003 Jackson
D288,863 S		3/1987	Vuitton			D482,210 S	11/2003 Bishop
4,669,587 A		6/1987	Zitt			D484,352 S	12/2003 Palmer
D296,153 S		6/1988	Reichow			D488,321 S	4/2004 Perella
D297,385 S		8/1988	Bennett			D490,206 S	5/2004 Perella et al.
4,782,972 A		11/1988	Wenkman et al.			D493,303 S	7/2004 Perella
D308,137 S		5/1990	Grecchi			D493,936 S	8/2004 Perella
D314,666 S		2/1991	Lanius			D496,791 S	10/2004 Perella
5,000,301 A		3/1991	Grenier			D497,252 S	10/2004 Perella
D322,884 S		1/1992	Martinez			D498,049 S	11/2004 Perella
D329,134 S		9/1992	Tokuda et al.			D499,883 S	12/2004 Perella
D331,663 S		12/1992	Roncato			D500,922 S	1/2005 Perella
D336,983 S		7/1993	Roberts et al.			D501,083 S	1/2005 Perella
D351,502 S		10/1994	Weir et al.			D501,995 S	2/2005 Perella
D358,055 S		5/1995	Long et al.			D503,024 S	3/2005 Perella
D364,053 S		11/1995	Hayashi et al.			D503,503 S	3/2005 Perella
D365,224 S		12/1995	Pohlman			D504,038 S	4/2005 Perella
D365,225 S		12/1995	Poortvliet et al.			D504,039 S	4/2005 Perella

\* cited by examiner

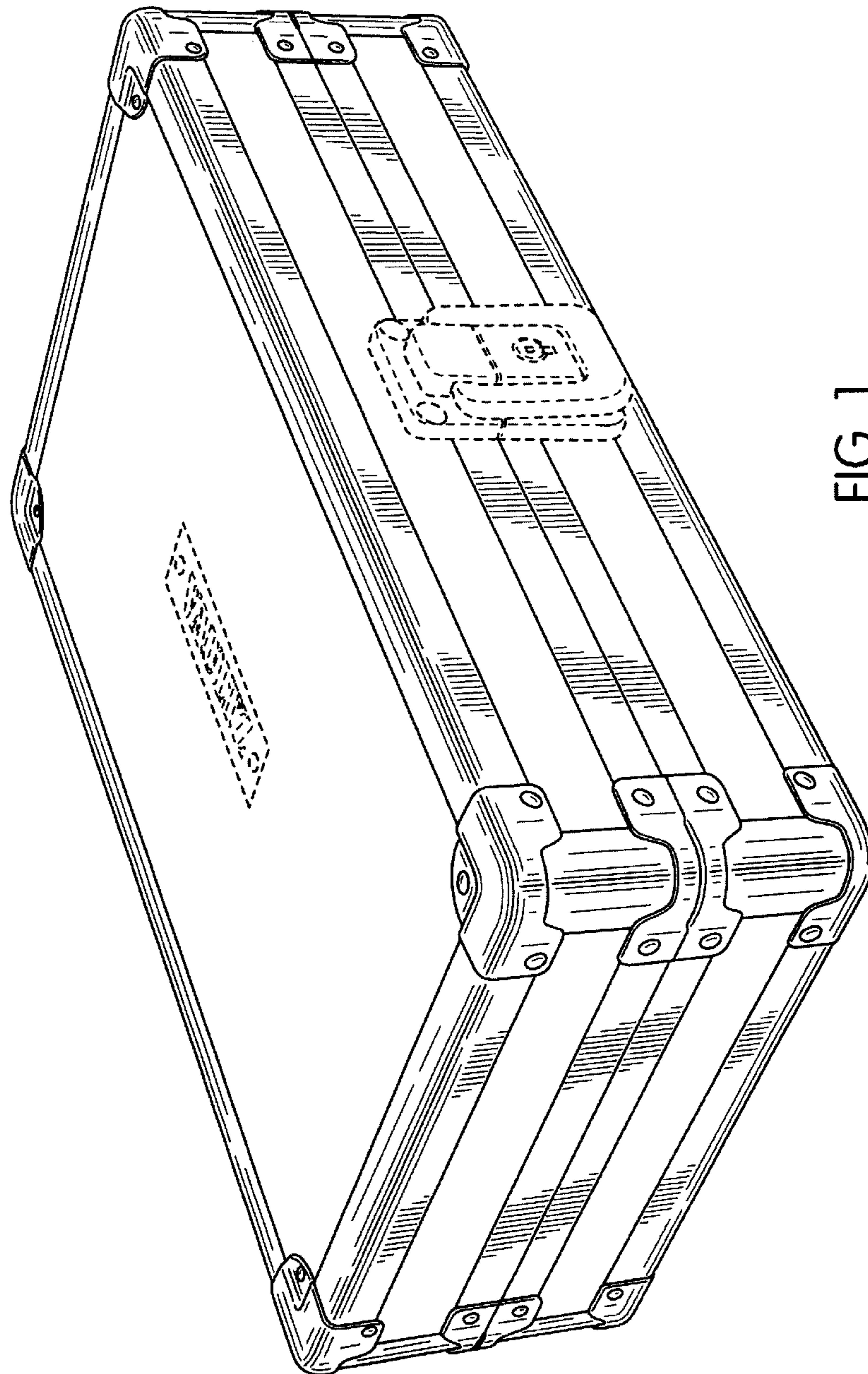


FIG. 1



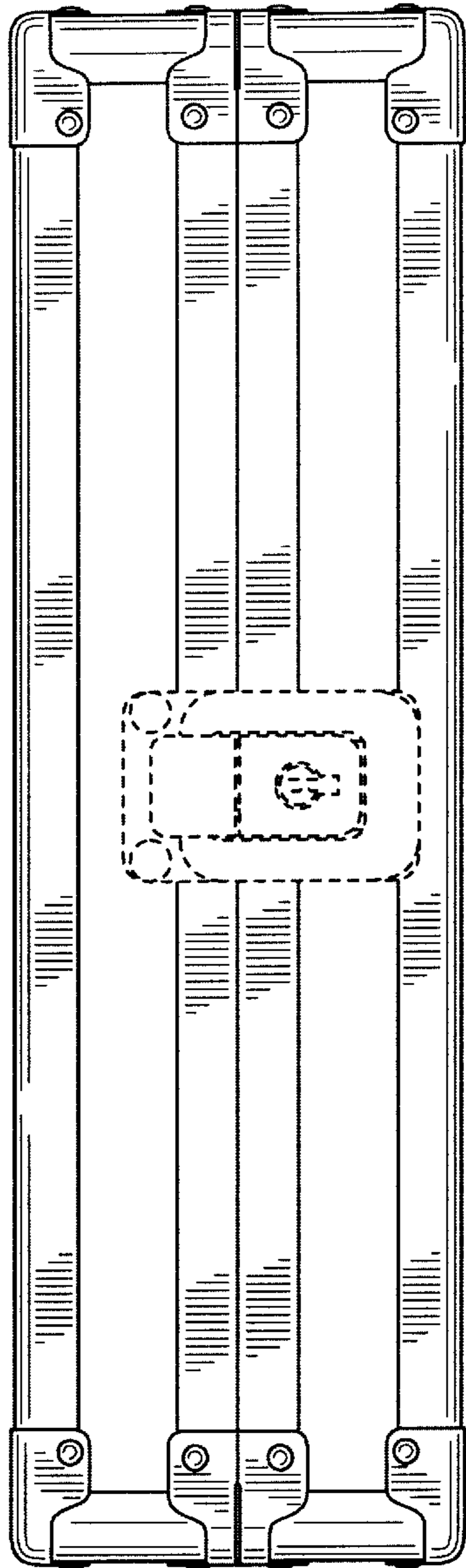


FIG. 2

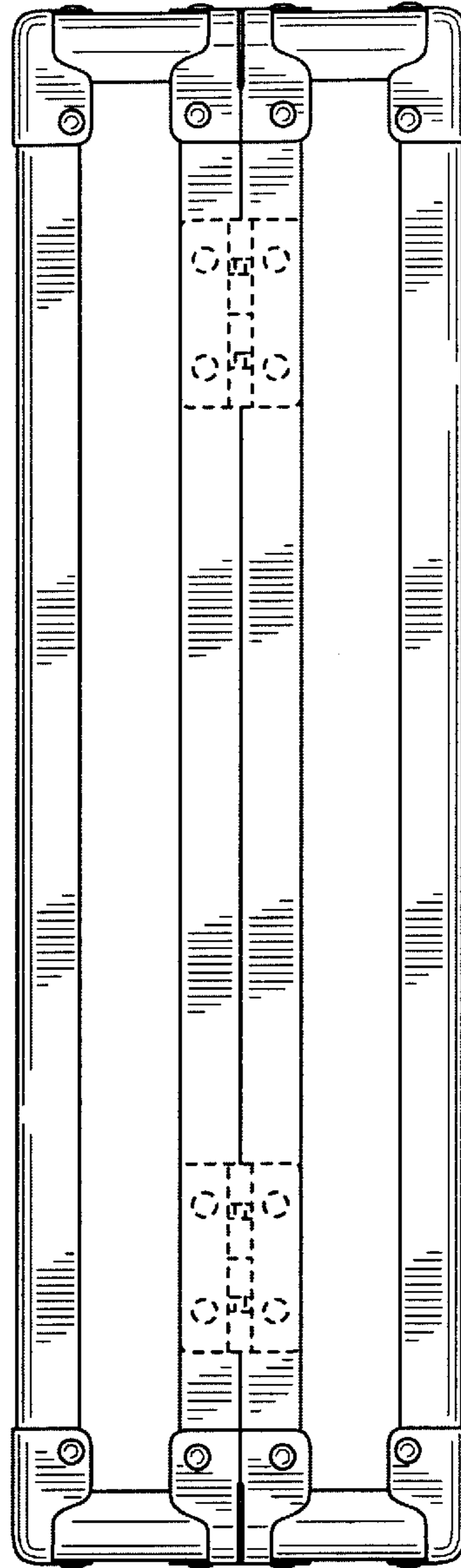


FIG. 3

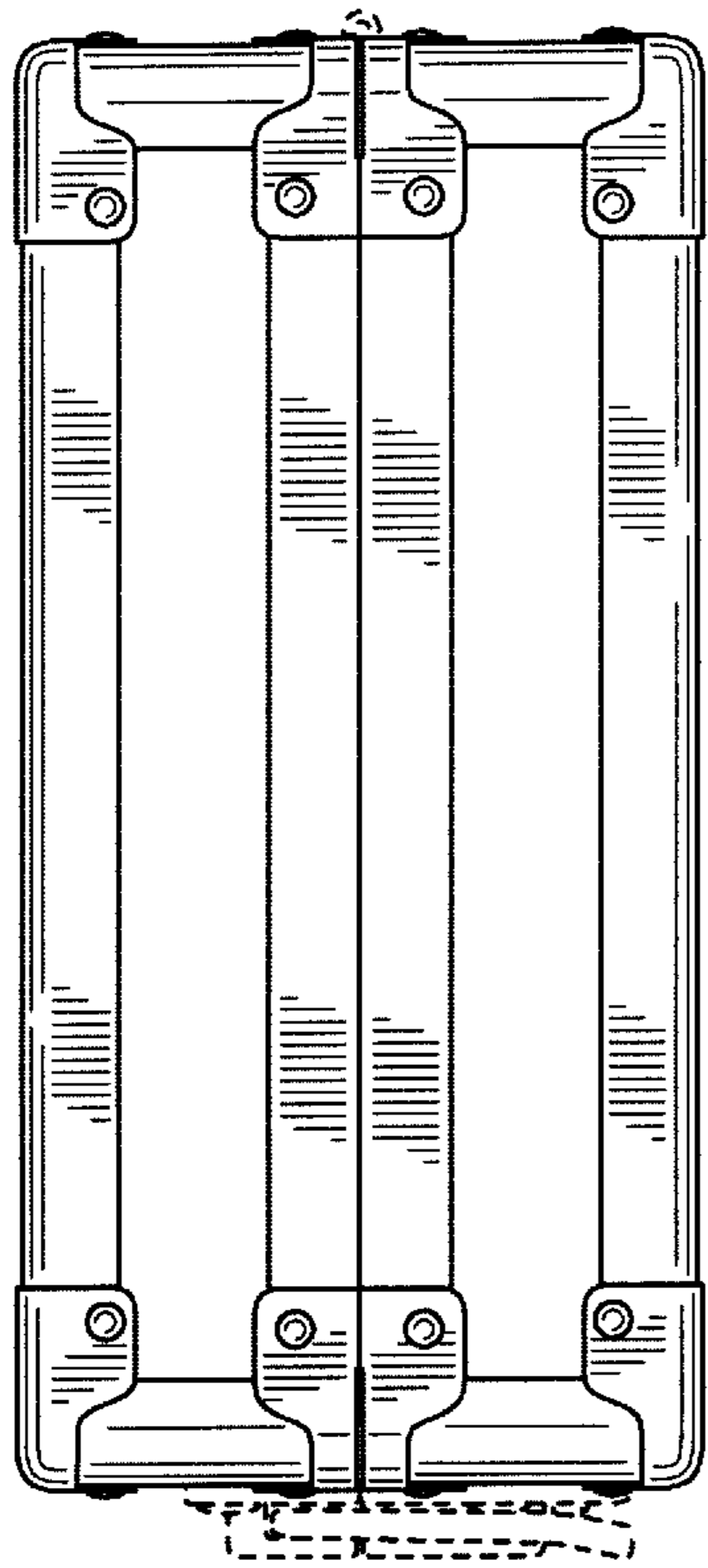


FIG. 4

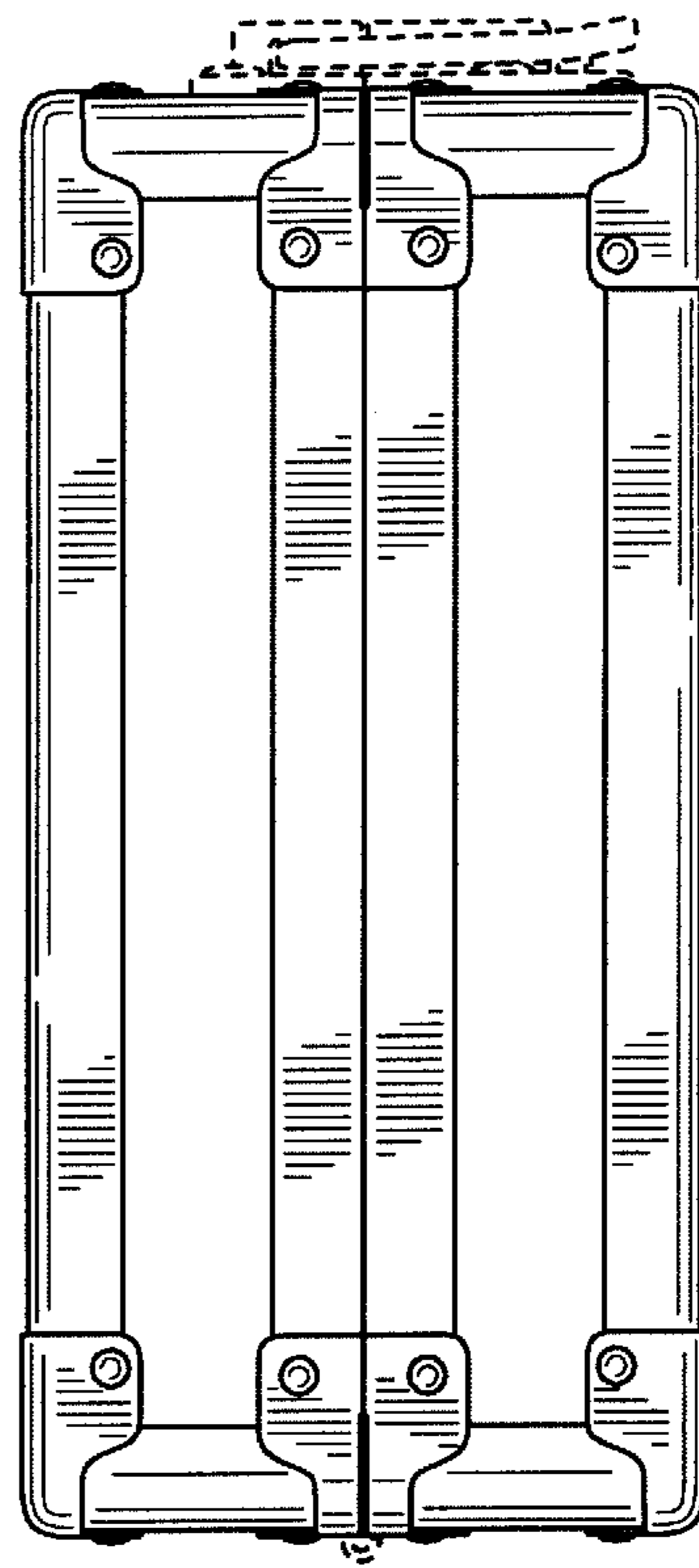


FIG. 5

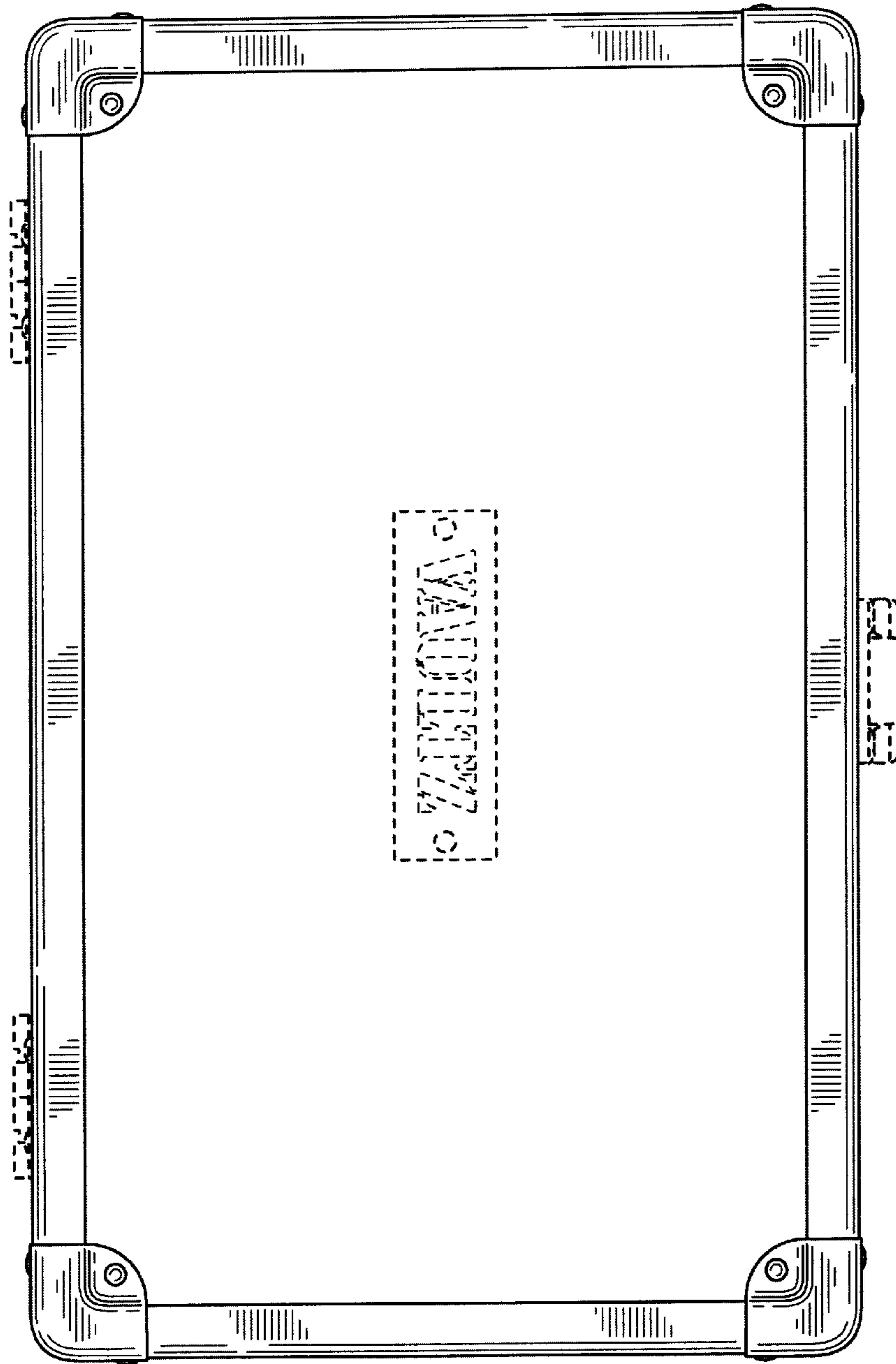


FIG. 6

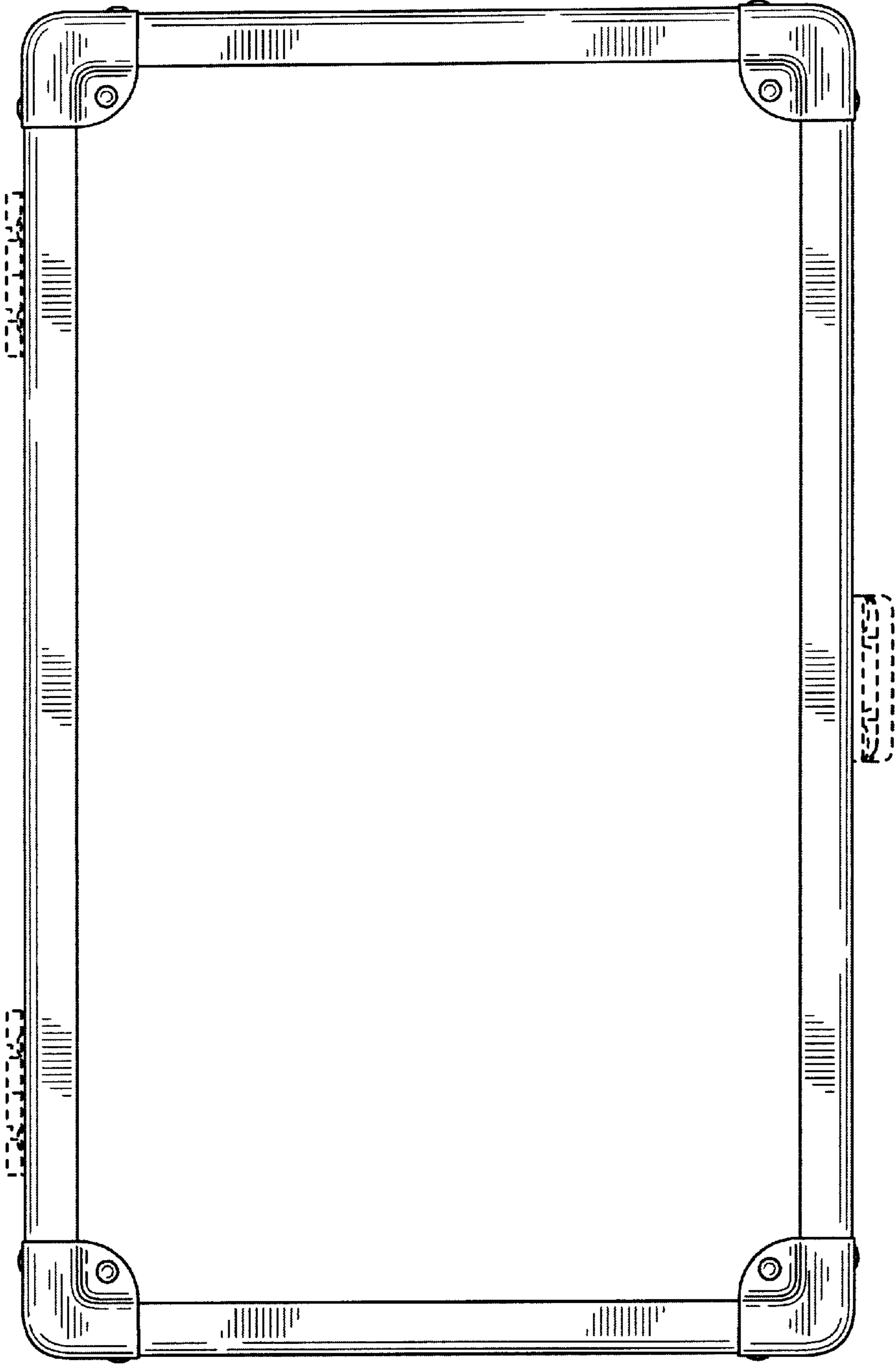


FIG. 7

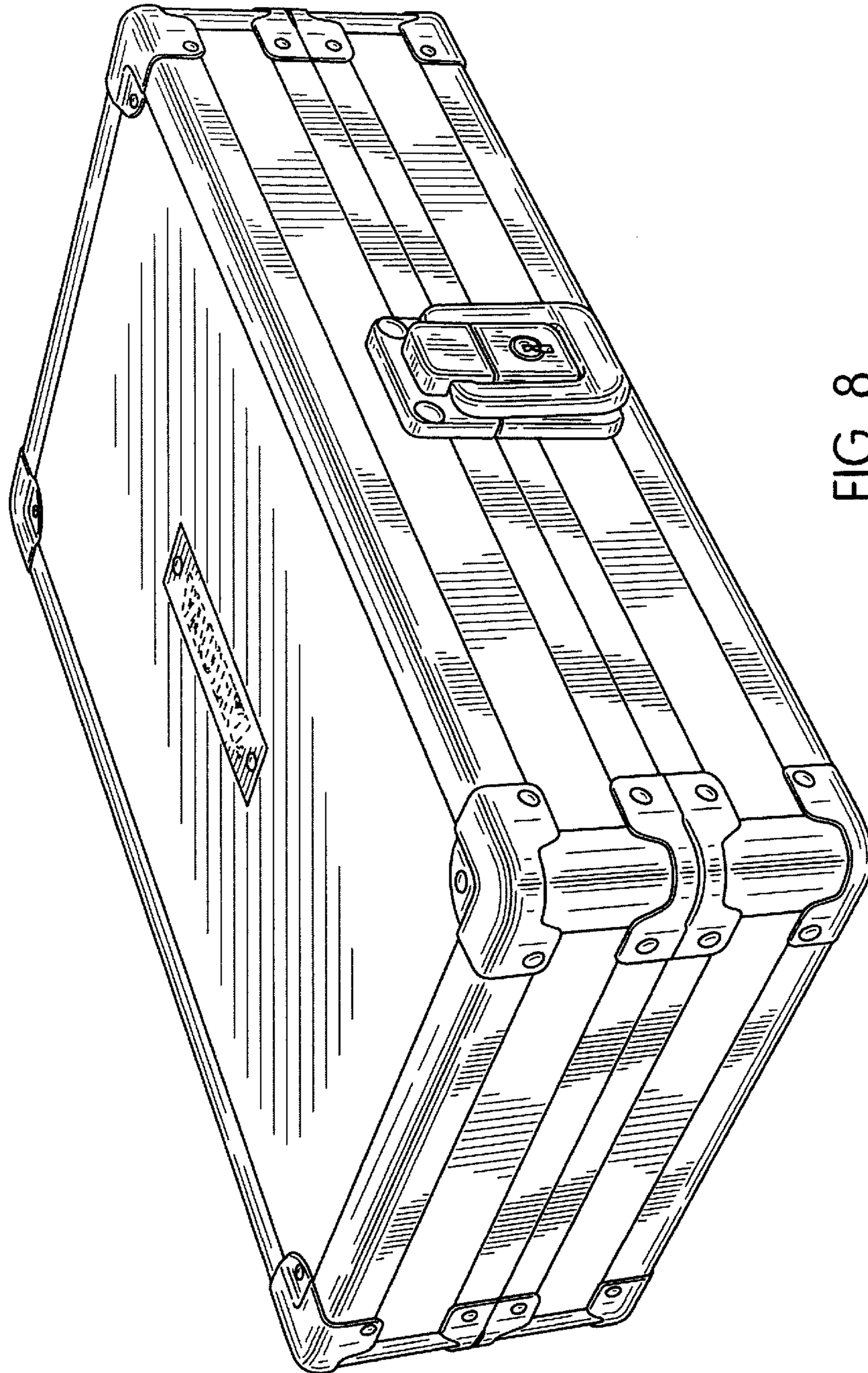


FIG. 8



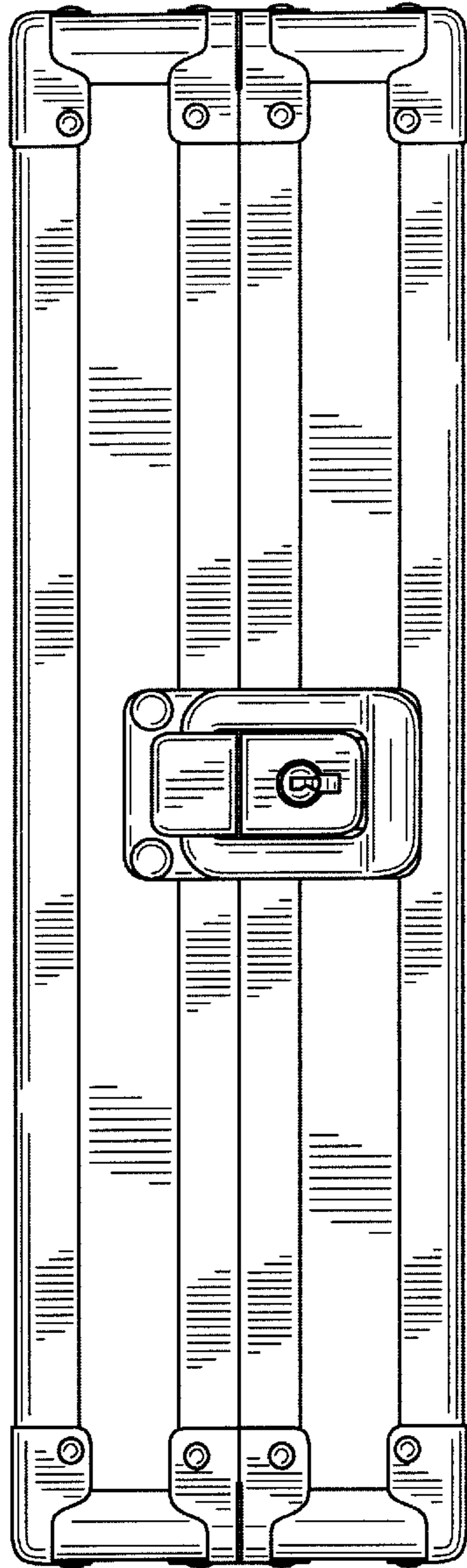


FIG. 9

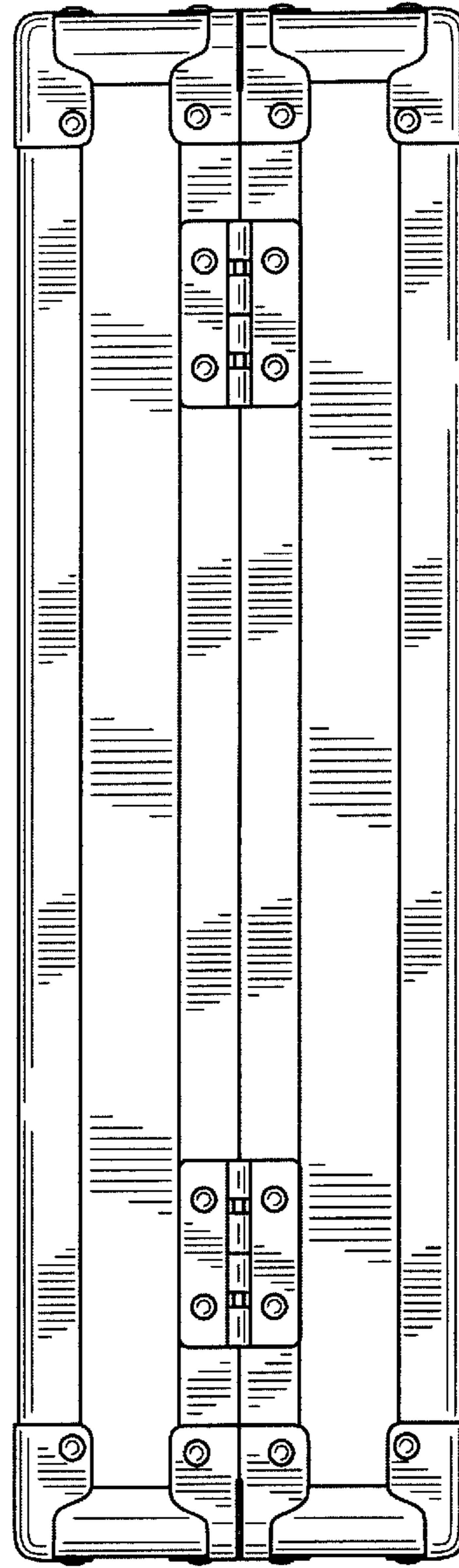


FIG. 10

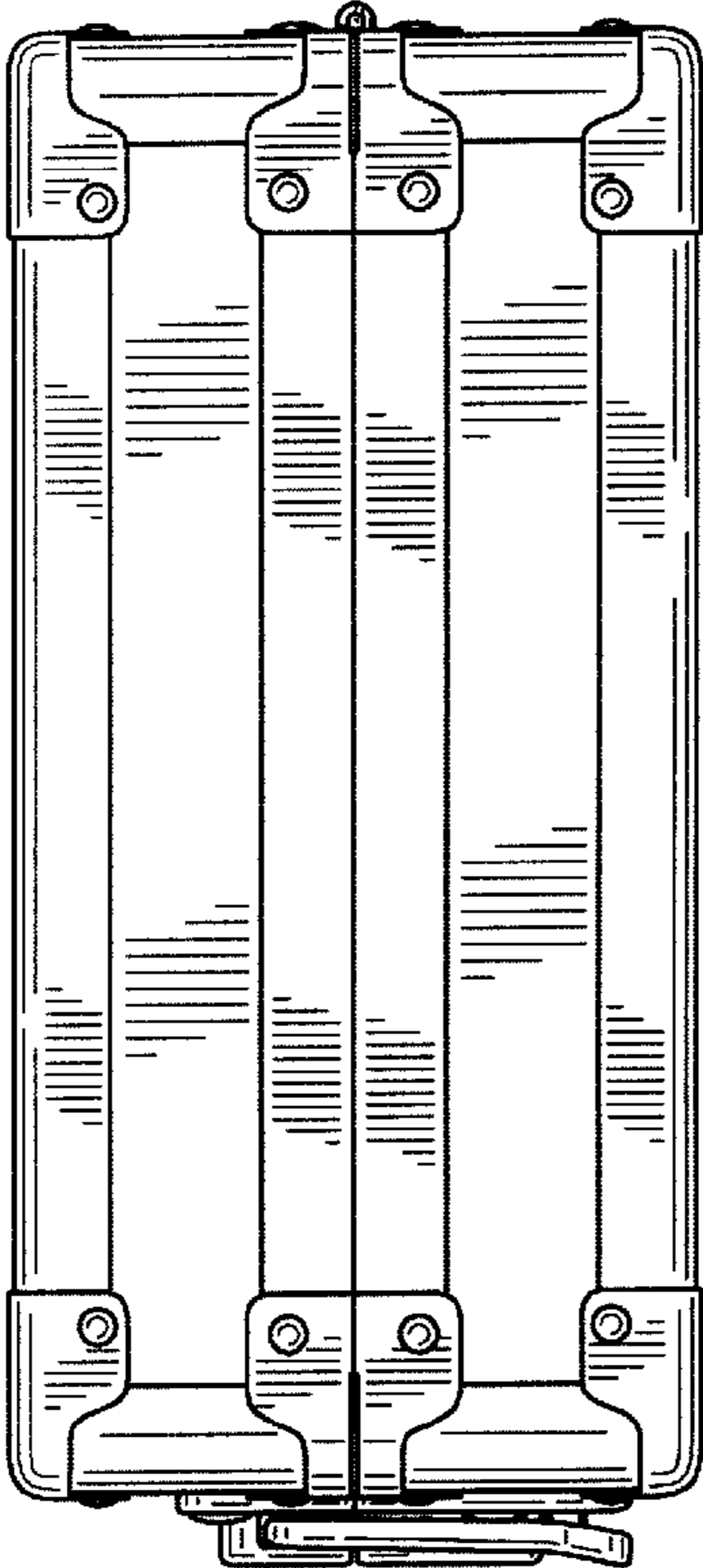


FIG. 11

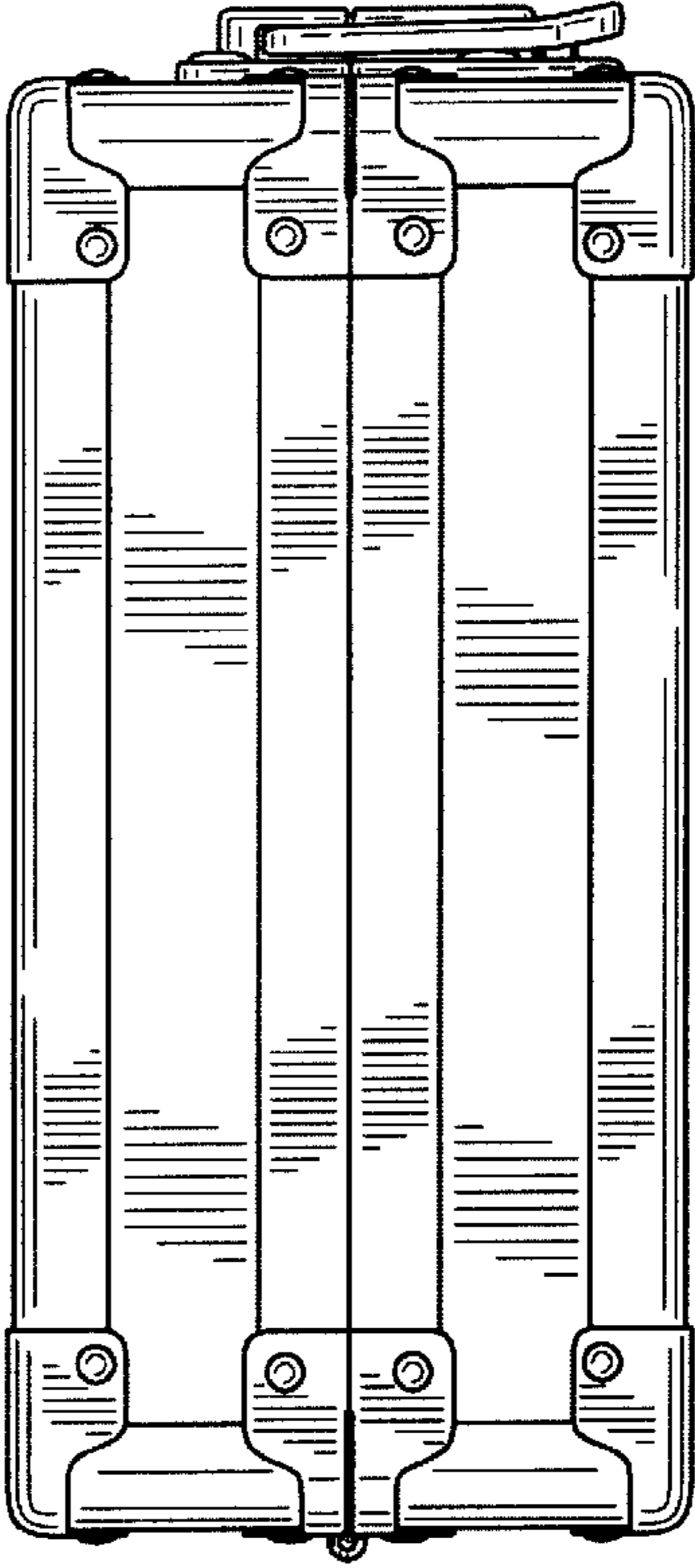


FIG. 12

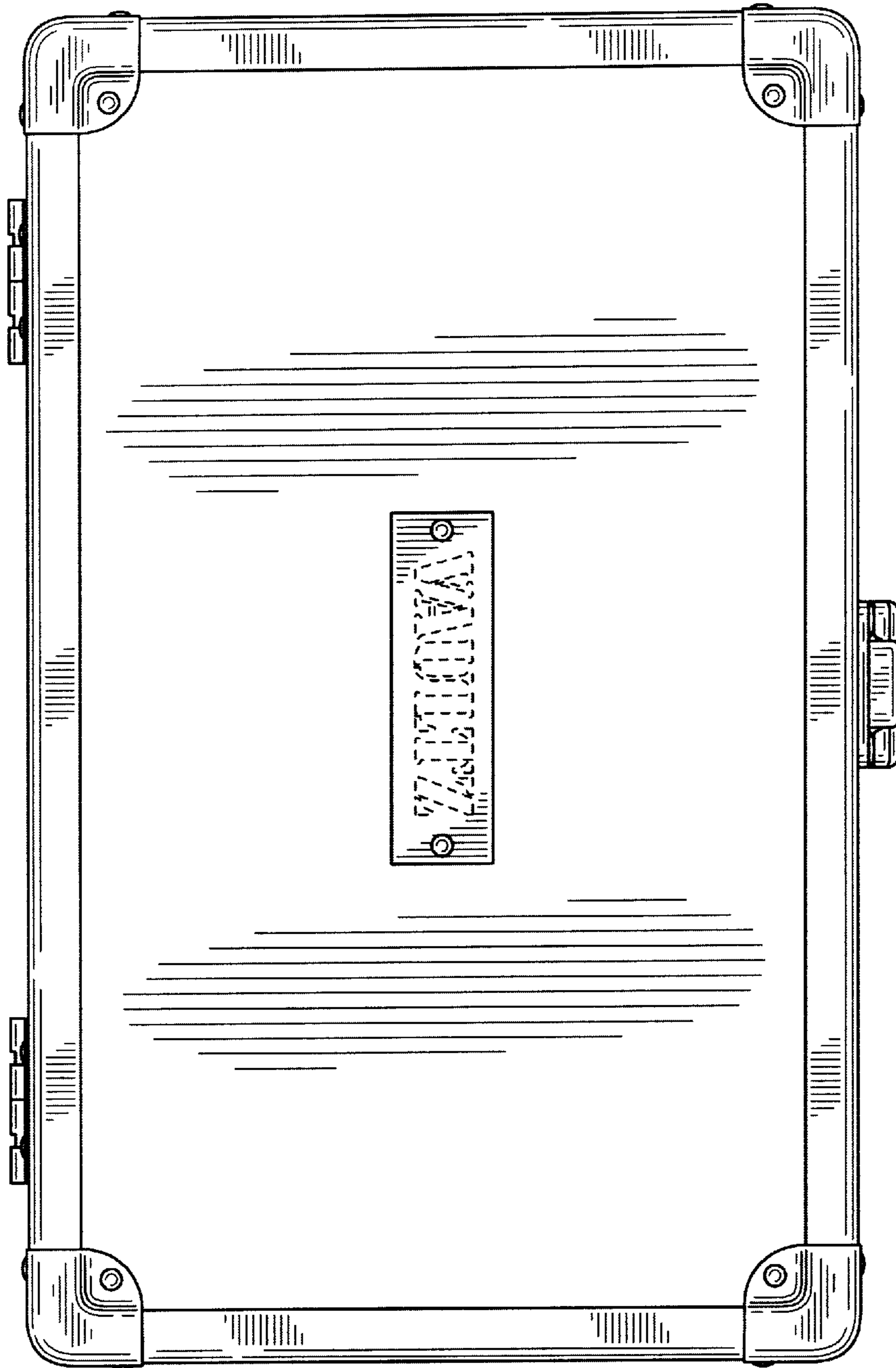


FIG. 13

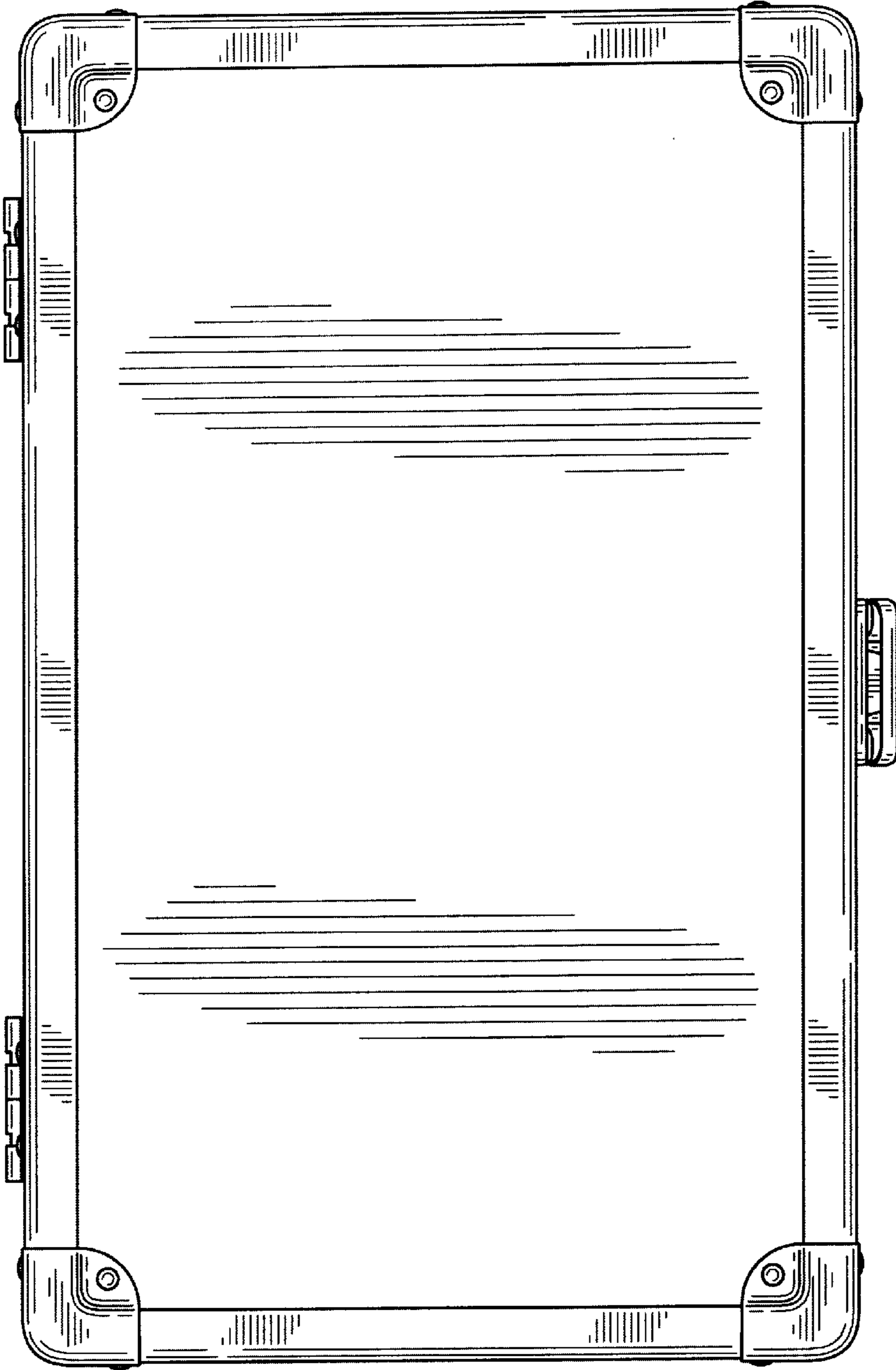


FIG. 14



UNITED STATES PATENT AND TRADEMARK OFFICE  
**CERTIFICATE OF CORRECTION**

PATENT NO. : Des. 561,462 S  
APPLICATION NO. : 29/216845  
DATED : February 12, 2008  
INVENTOR(S) : Daniel V. Perella et al.

Page 1 of 1

It is certified that error appears in the above-identified patent and that said Letters Patent is hereby corrected as shown below:

On the title page, add the following:

Item (56) References Cited

-- 903,668 11/1908 CARL --; and

-- 941,969 11/1909 WILLIAMS --.

Signed and Sealed this

First Day of September, 2009

A handwritten signature in black ink that reads "David J. Kappos". The signature is written in a cursive, slightly slanted style.

David J. Kappos  
*Director of the United States Patent and Trademark Office*