



US00D561432S

(12) **United States Design Patent**
He

(10) **Patent No.:** **US D561,432 S**

(45) **Date of Patent:** **** Feb. 12, 2008**

(54) **BOOT**

(75) Inventor: **Qimei He**, El Monte, CA (US)

(73) Assignee: **Robert L. Goldman**, Beverly Hills, CA (US)

(**) Term: **14 Years**

(21) Appl. No.: **29/280,294**

(22) Filed: **May 23, 2007**

(51) **LOC (8) Cl.** **02-04**

(52) **U.S. Cl.** **D2/911**

(58) **Field of Classification Search** D2/910,
D2/896, 897, 901, 909, 911, 925, 943, 950,
D2/964-966, 969-974; D15/89; 36/45,
36/83, 88, 113, 114, 126-131
See application file for complete search history.

(56) **References Cited**

U.S. PATENT DOCUMENTS

- D10,856 S * 10/1878 Banigan D2/910
- D100,413 S * 7/1936 Clark D2/911
- D101,277 S * 9/1936 Issaly D2/910
- D123,668 S * 11/1940 Donner D2/911

- D403,844 S * 1/1999 Chaigneau D2/910
- D500,583 S * 1/2005 Belley et al. D2/970
- D521,714 S * 5/2006 Kelsey D2/910
- D527,872 S * 9/2006 Choi D2/910

* cited by examiner

Primary Examiner—Stella M. Reid

Assistant Examiner—Rashida C. McCoy

(74) *Attorney, Agent, or Firm*—Fulwider Patton LLP

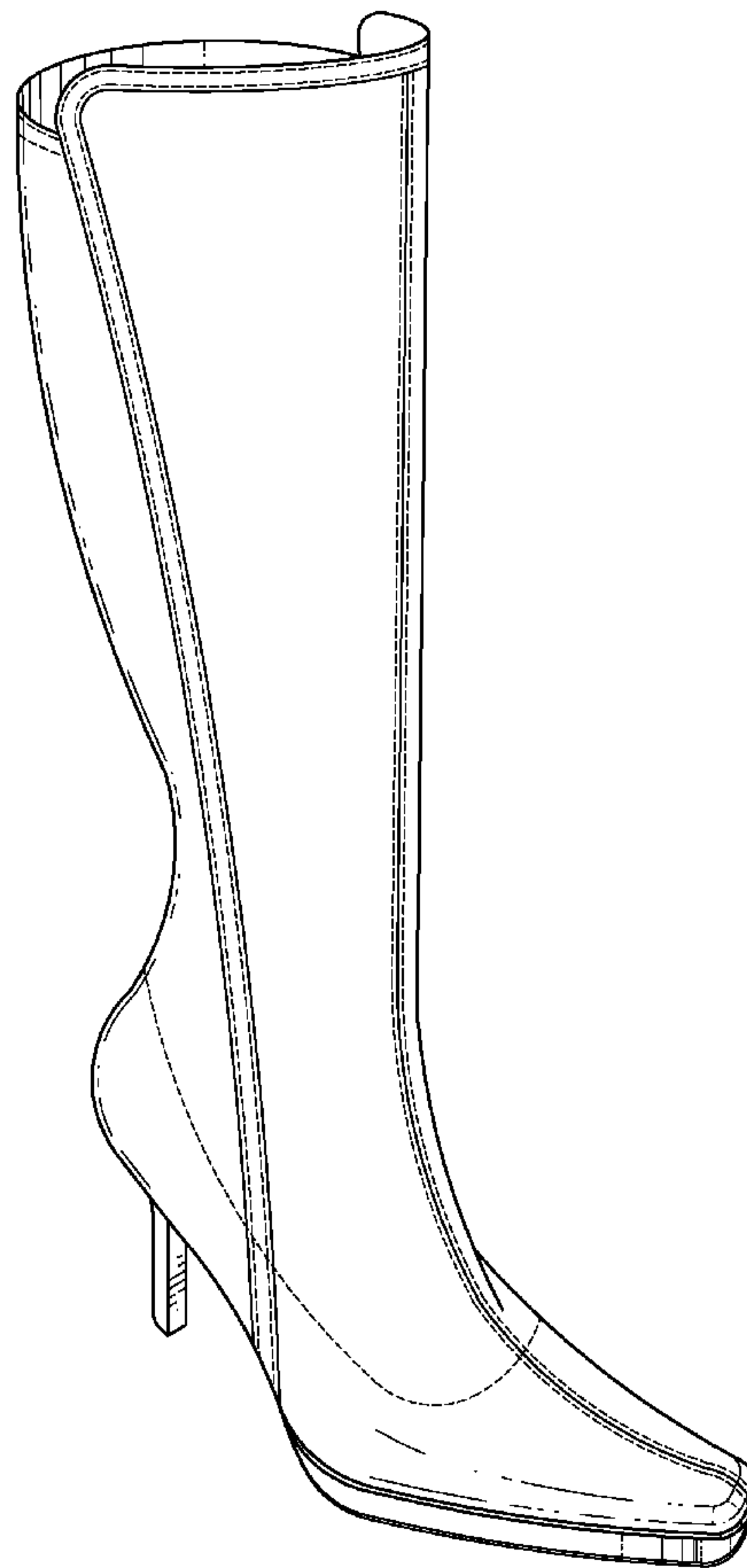
(57) **CLAIM**

The ornamental design for a boot, as shown and described.

DESCRIPTION

FIG. 1 is a perspective view of boot showing my new design;
 FIG. 2 is a rear elevational view thereof;
 FIG. 3 is a front elevational view thereof;
 FIG. 4 is a side elevational view thereof;
 FIG. 5 is a side elevational view thereof opposite that shown
 in FIG. 4.
 FIG. 6 is a top plan view thereof; and,
 FIG. 7 is a bottom plan view thereof.

1 Claim, 4 Drawing Sheets



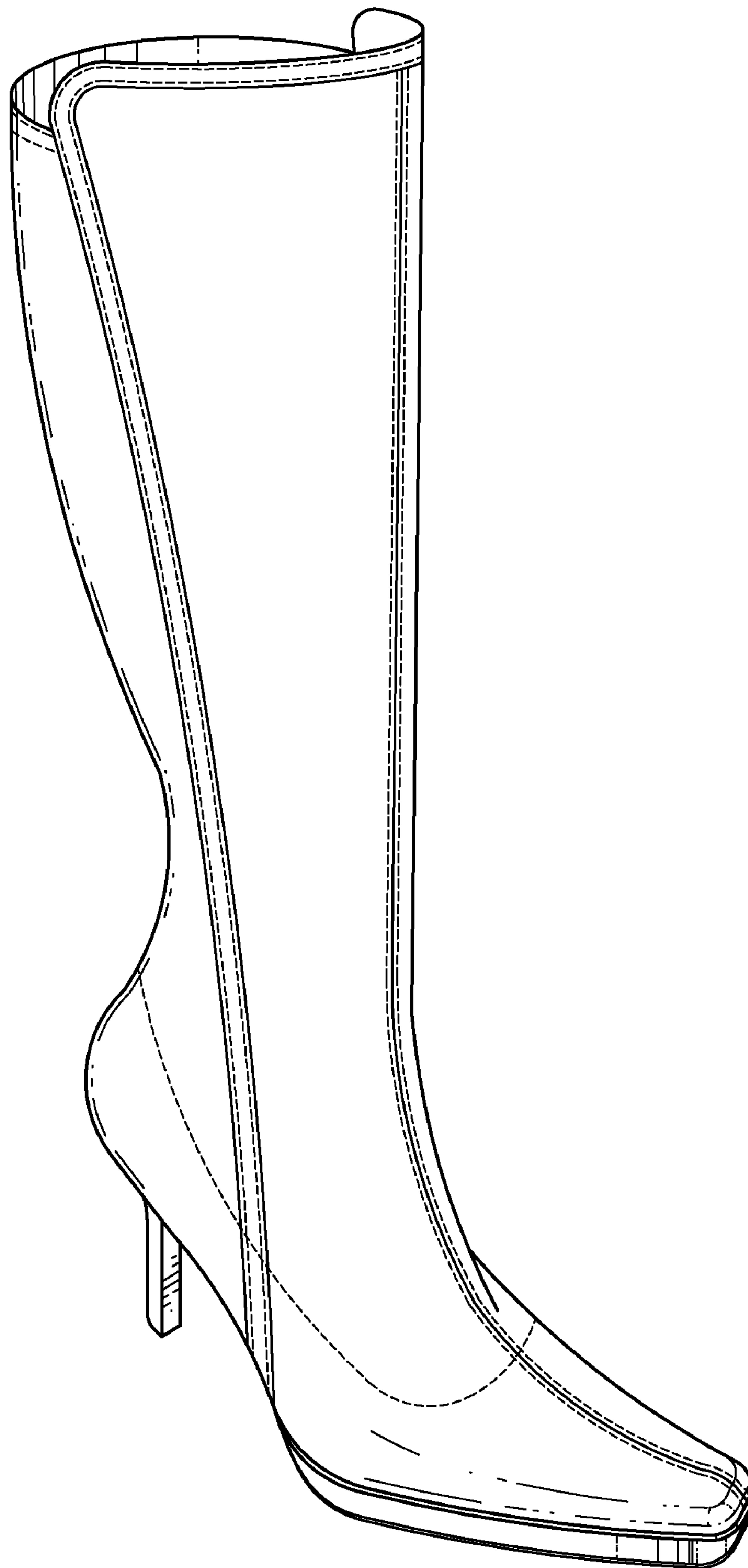


FIG. 1

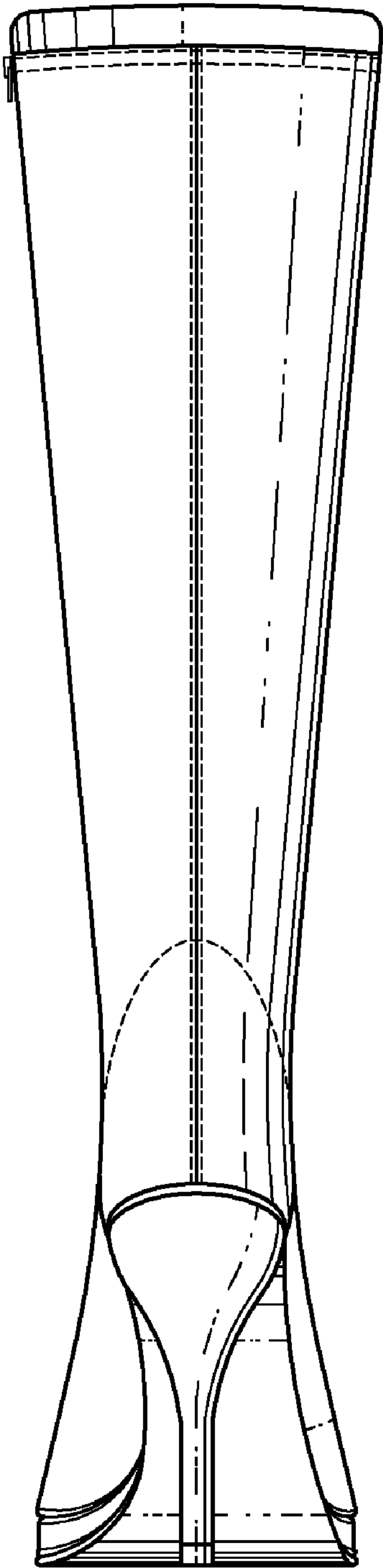


FIG. 2

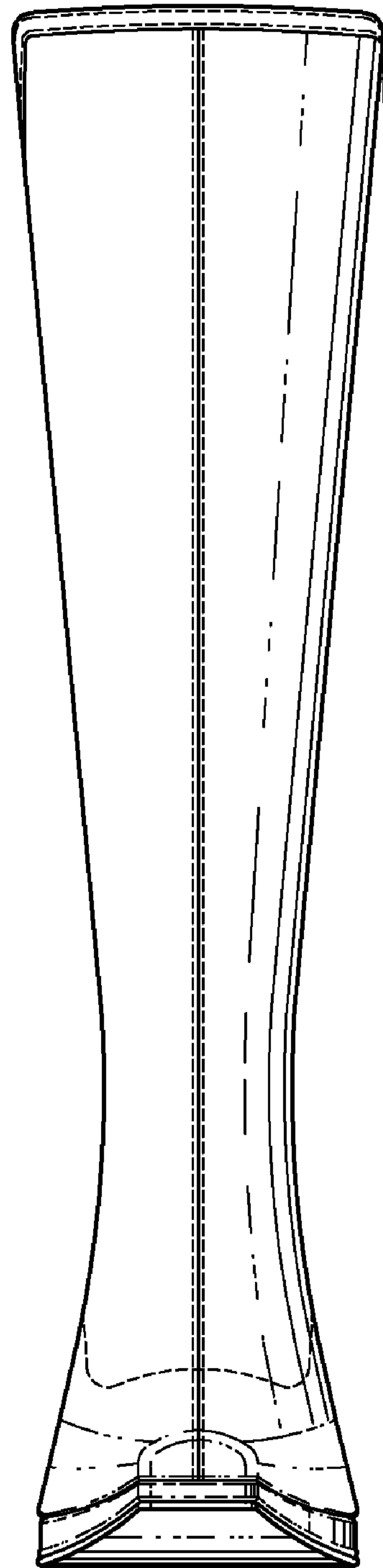


FIG. 3



FIG. 4

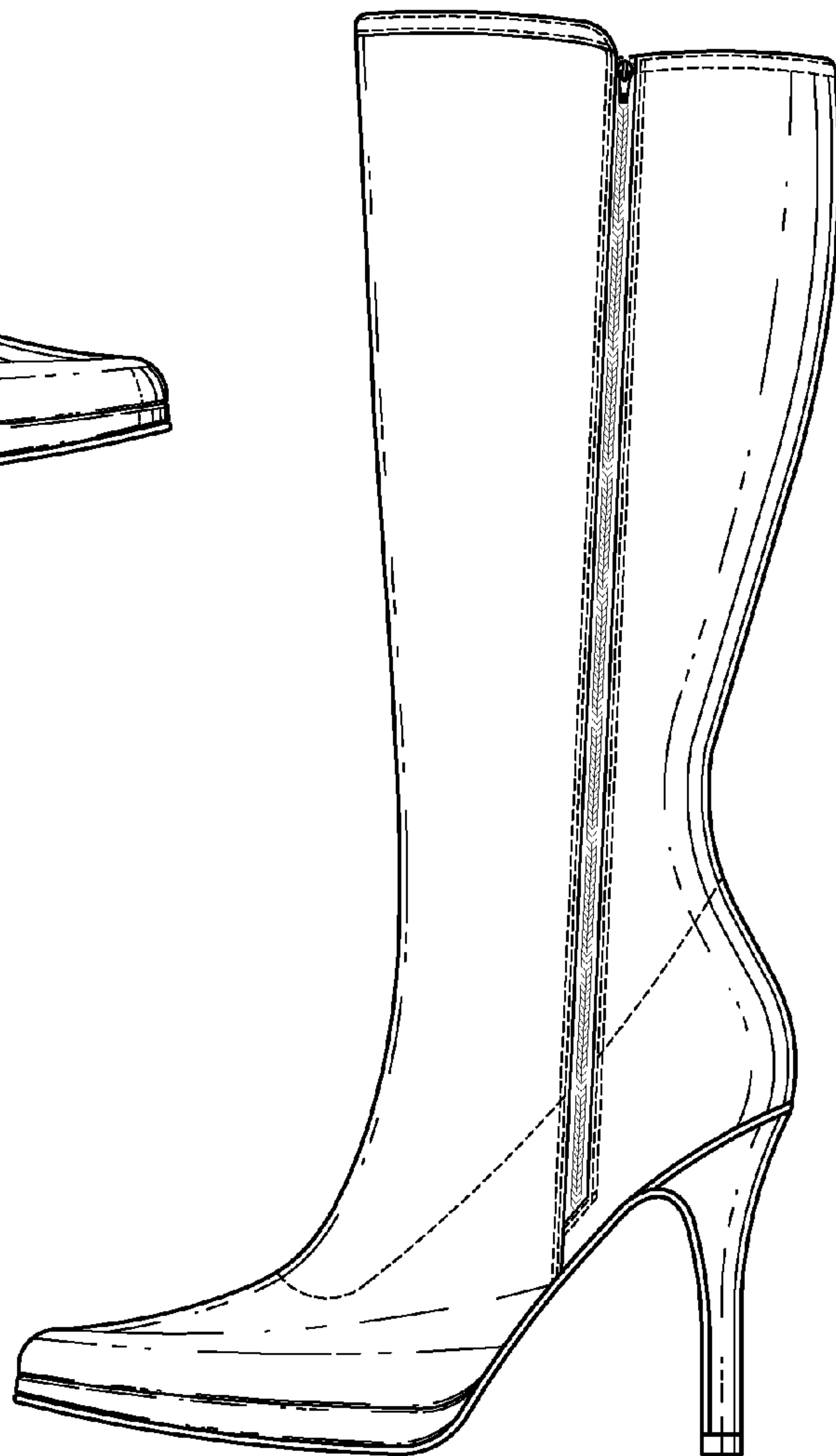


FIG. 5

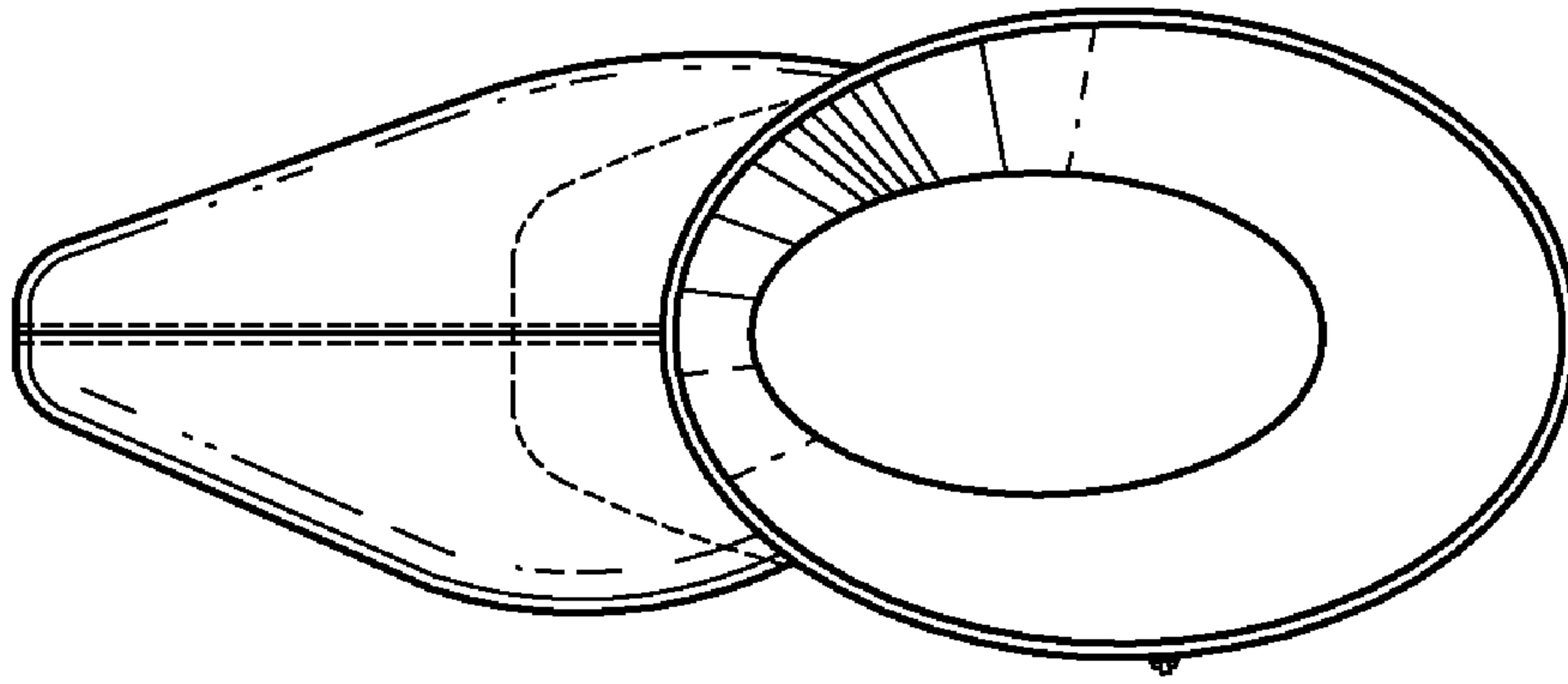


FIG. 6

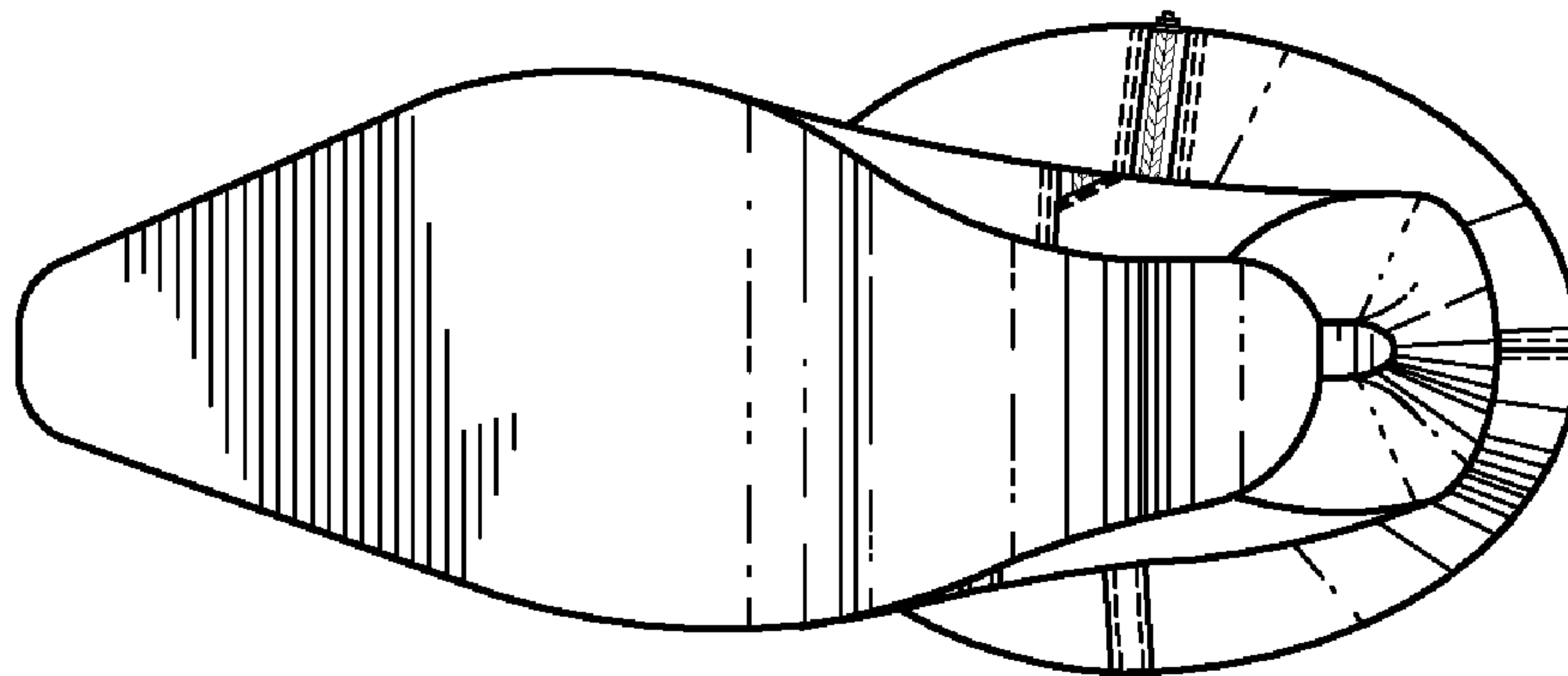


FIG. 7