



US00D561426S

(12) **United States Design Patent**
Eitler et al.

(10) **Patent No.:** **US D561,426 S**
(45) **Date of Patent:** **** Feb. 12, 2008**

(54) **CONFECTIONERY**

(75) Inventors: **Hugo Eitler**, Breitenbrunn (AT); **Bert van Dijk**, Keldonk (NL); **Jan Arts**, Haren (NL); **Tineke Leijdens**, Veghel (NL); **Nathalie Matysiak**, 's-Hertogenbosch (NL)

(73) Assignee: **Mars, Incorporated**, McLean, VA (US)

(**) Term: **14 Years**

(21) Appl. No.: **29/262,762**

(22) Filed: **Jul. 10, 2006**

(30) **Foreign Application Priority Data**

Jan. 10, 2006 (EM) 000462049-0001/0002

(51) **LOC (8) Cl.** **01-01**

(52) **U.S. Cl.** **D1/127; D1/121; D1/125**

(58) **Field of Classification Search** D1/100-1, D1/121, 127-8, 130, 199; 426/76, 103, 122, 426/144, 660, 512, 515; D21/386; D24/101, D24/104; D28/8.1

See application file for complete search history.

(56) **References Cited**

U.S. PATENT DOCUMENTS

- D65,129 S * 7/1924 Matson D1/199
- D88,109 S * 10/1932 Reiche D1/127
- 2,082,312 A * 6/1937 Todd 426/660
- 2,246,770 A * 6/1941 Wessel 426/87
- D131,946 S * 4/1942 Hale D1/102
- D231,417 S * 4/1974 Maiola D1/121

- D266,030 S * 9/1982 Madonia D1/121
- 4,525,373 A * 6/1985 Hosaka 426/634
- D309,520 S * 7/1990 Thomassen et al. D1/121
- 5,160,754 A * 11/1992 Hayashi et al. 426/94
- D404,887 S * 2/1999 Prins D1/129
- D429,053 S * 8/2000 Barkett D1/101
- D429,866 S * 8/2000 Zhang et al. D1/121

OTHER PUBLICATIONS

http://web.archive.org/web/20041125113710/http://www.valgourmand.com/v/c/c_mars_05790.jpg, Nov. 25, 2004.*

* cited by examiner

Primary Examiner—Robin V. Webster

Assistant Examiner—Karen E Kearney

(74) *Attorney, Agent, or Firm*—Arent Fox LLC

(57) **CLAIM**

The ornamental design for a confectionery, substantially as shown and described.

DESCRIPTION

FIG. 1 is a perspective view of a confectionery, showing our new design;

FIG. 2 is a front elevation view thereof;

FIG. 3 is a rear elevation view thereof;

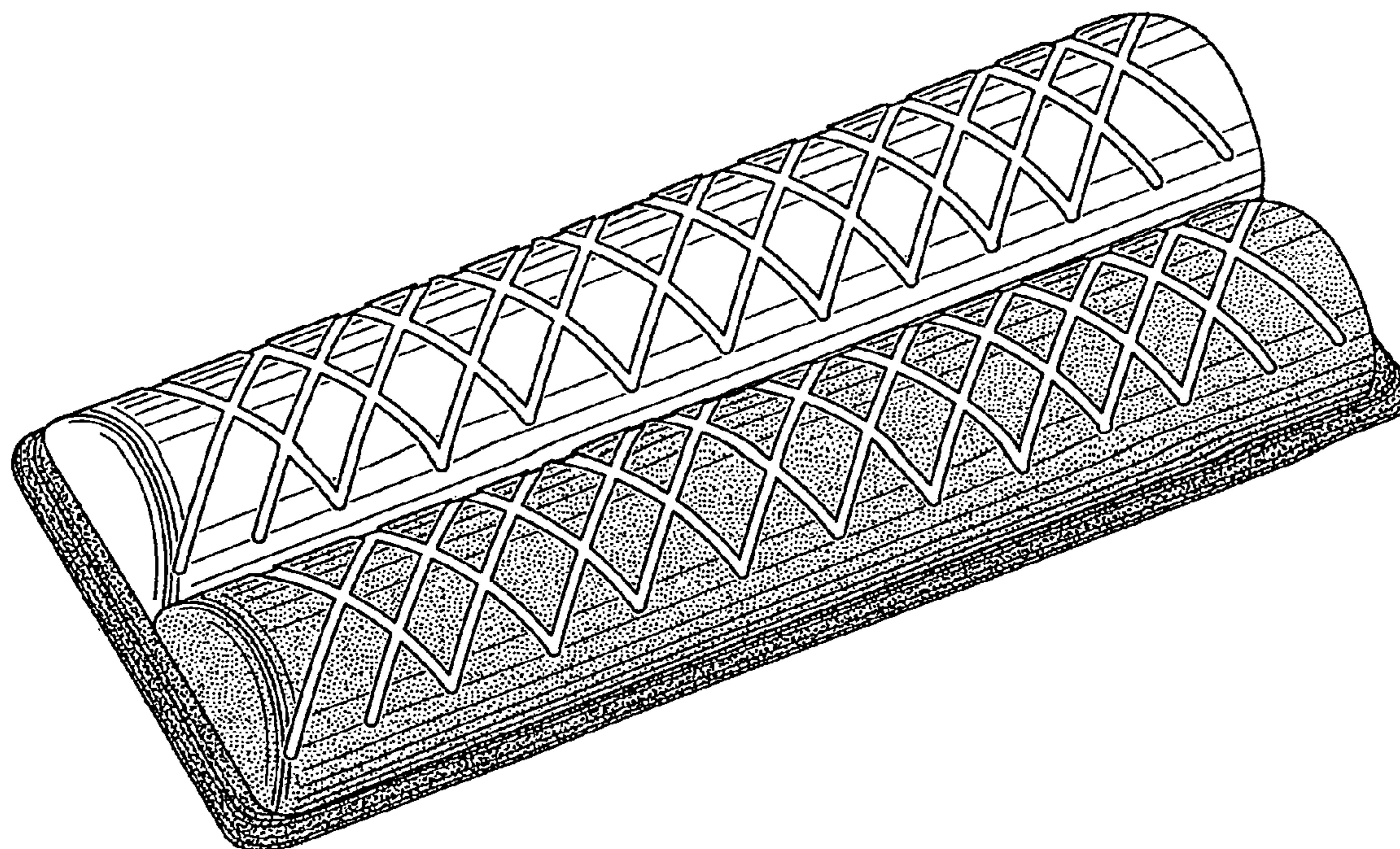
FIG. 4 is a top plan view thereof;

FIG. 5 is a right side elevation view thereof; and,

FIG. 6 is a left side elevation view thereof.

The bottom of the confectionery forms no part of the claimed design.

1 Claim, 3 Drawing Sheets



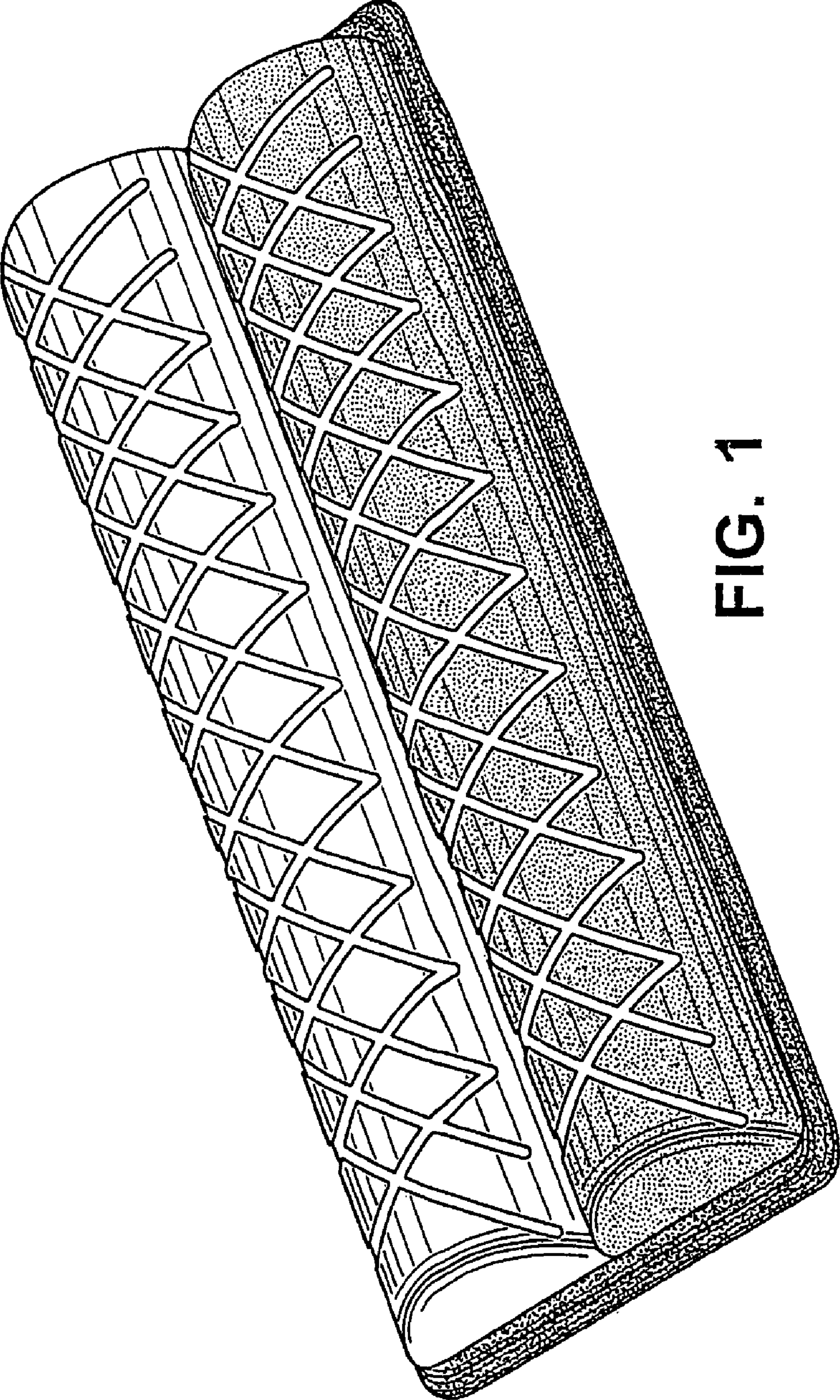


FIG. 1

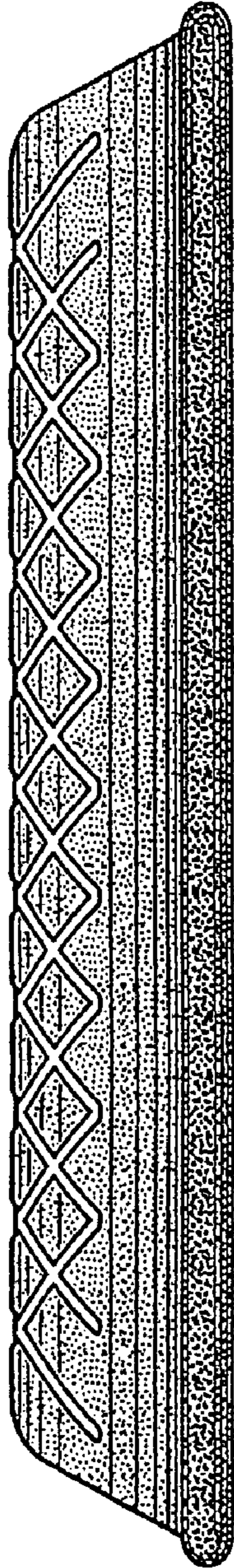


FIG. 2

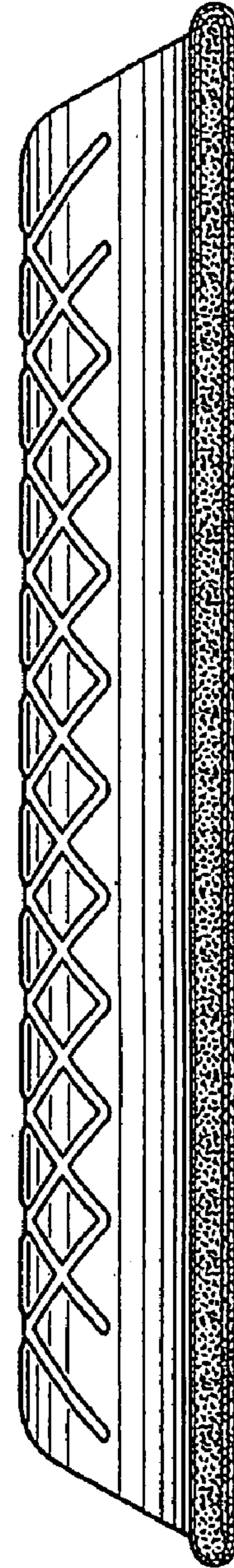


FIG. 3

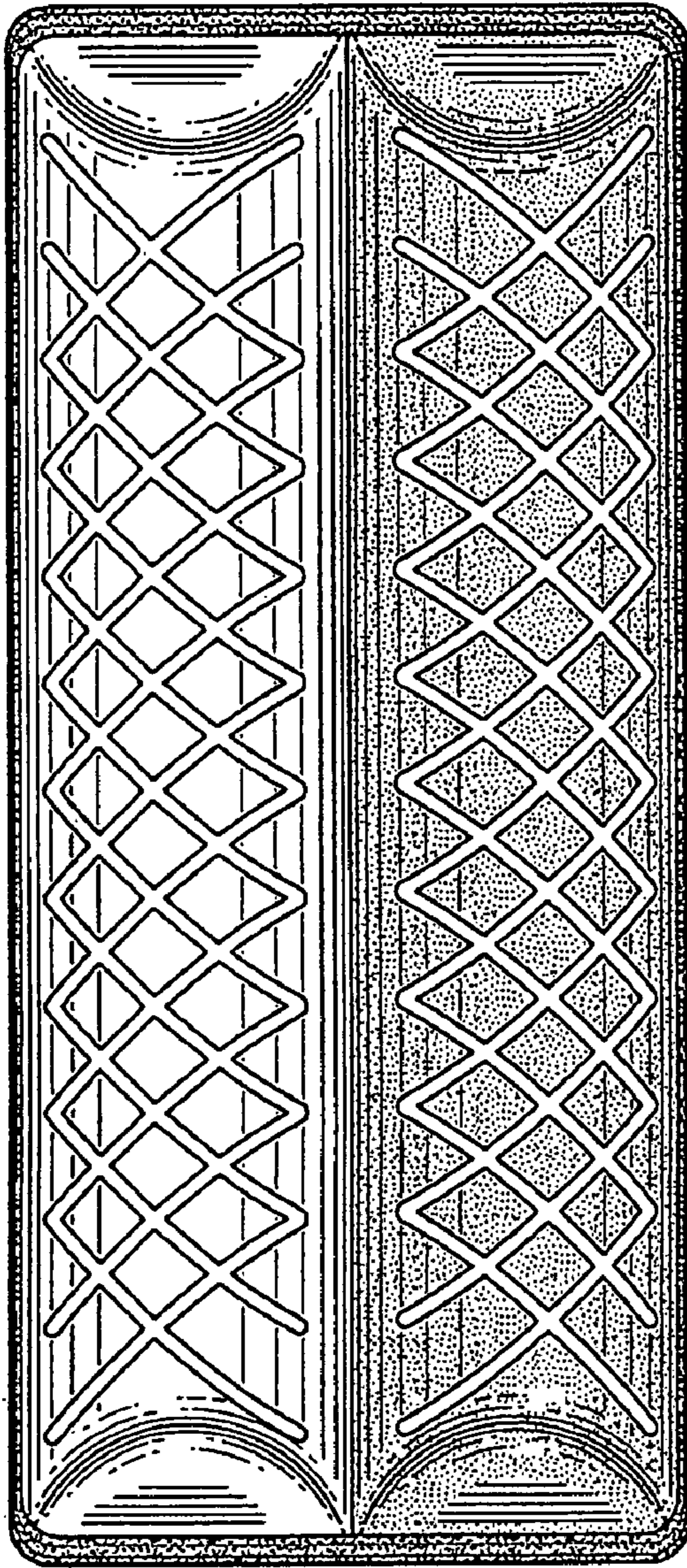


FIG. 4

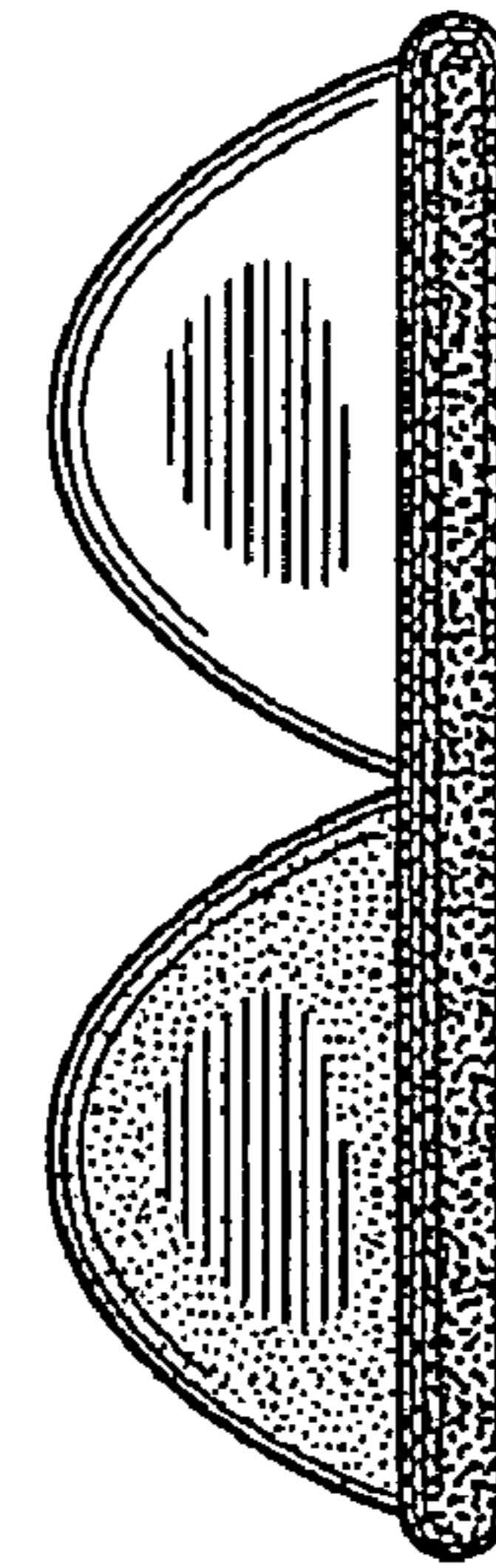


FIG. 5

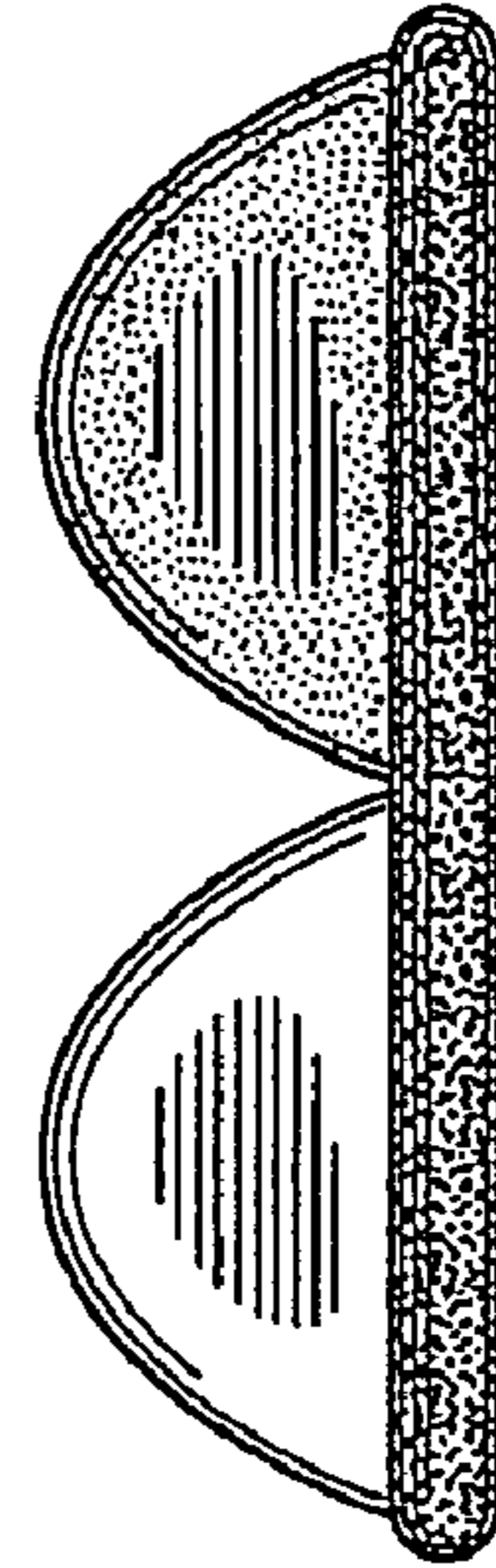


FIG. 6