



US00D561424S

(12) **United States Design Patent**
Drake

(10) **Patent No.:** **US D561,424 S**

(45) **Date of Patent:** **** Feb. 5, 2008**

(54) **POWERED DRIVE FOR JACK**

(75) Inventor: **Frank Drake**, Wausau, WI (US)

(73) Assignee: **Cequent Trailer Products, Inc.**,
Mosinee, WI (US)

(**) Term: **14 Years**

(21) Appl. No.: **29/272,020**

(22) Filed: **Jan. 31, 2007**

(51) **LOC (8) Cl.** **12-05**

(52) **U.S. Cl.** **D34/35; D34/31**

(58) **Field of Classification Search** D34/31,
D34/35; 254/126, 2 R, 93 H, 134, 420, DIG. 1,
254/423, 424, 86 H, 86 R, 11, 12, 13
See application file for complete search history.

(56) **References Cited**

U.S. PATENT DOCUMENTS

| | | | | | |
|--------------|-----|--------|------------------|-------|---------|
| D327,282 | S * | 6/1992 | Garcia | | D15/199 |
| D327,354 | S * | 6/1992 | Inman | | D34/31 |
| D368,568 | S * | 4/1996 | Hartley | | D34/31 |
| 6,099,016 | A * | 8/2000 | Peveler | | 280/475 |
| D447,309 | S * | 8/2001 | Wilson | | D34/31 |
| D476,461 | S * | 6/2003 | Dries | | D34/31 |
| D509,039 | S * | 8/2005 | Peschmann et al. | | D34/31 |
| 2005/0073130 | A1 | 4/2005 | McGlothlin | | |

OTHER PUBLICATIONS

Equalizer Systems Electric and Hydraulic Lifting and Leveling; pp. 1-4; www.equalizersystems.com.
Lunde Lift Systems; Pack More Leisure Into Your Next Adventure; p. 1; www.trailer-solutions.com/hydraulic-big1.htm.
Lunde Life Systems; Pack More Leisure Into Your Next Adventure; pp. 1-2; www.trailer-solutions.com/lunde.htm.

Lunde Life Systems; Pack More Leisure Into Your Next Adventure; p. 1; www.trailer-solutions.com/hydraulic-big2.htm.

Lunde Life Systems; Pack More Leisure Into Your Next Adventure; p. 1; www.trailer-solutions.com/hydraulic-big3.htm.

Lunde Life Systems; Pack More Leisure Into Your Next Adventure; p. 1; www.trailer-solutions.com/hydraulic-big4.htm.

* cited by examiner

Primary Examiner—Cynthia E. Ramirez

(74) *Attorney, Agent, or Firm*—David J. Smith; McDonald Hopkins LLC

(57) **CLAIM**

The ornamental design of a powered drive for jack, as shown and described.

DESCRIPTION

FIG. 1 is a perspective view of an embodiment of a powered drive for jack showing my new design in an assembled state as seen from the top and left sides thereof;

FIG. 2 is a perspective view of the back and right sides thereof;

FIG. 3 is a back side view thereof;

FIG. 4 is a front side view thereof;

FIG. 5 is a top side view thereof;

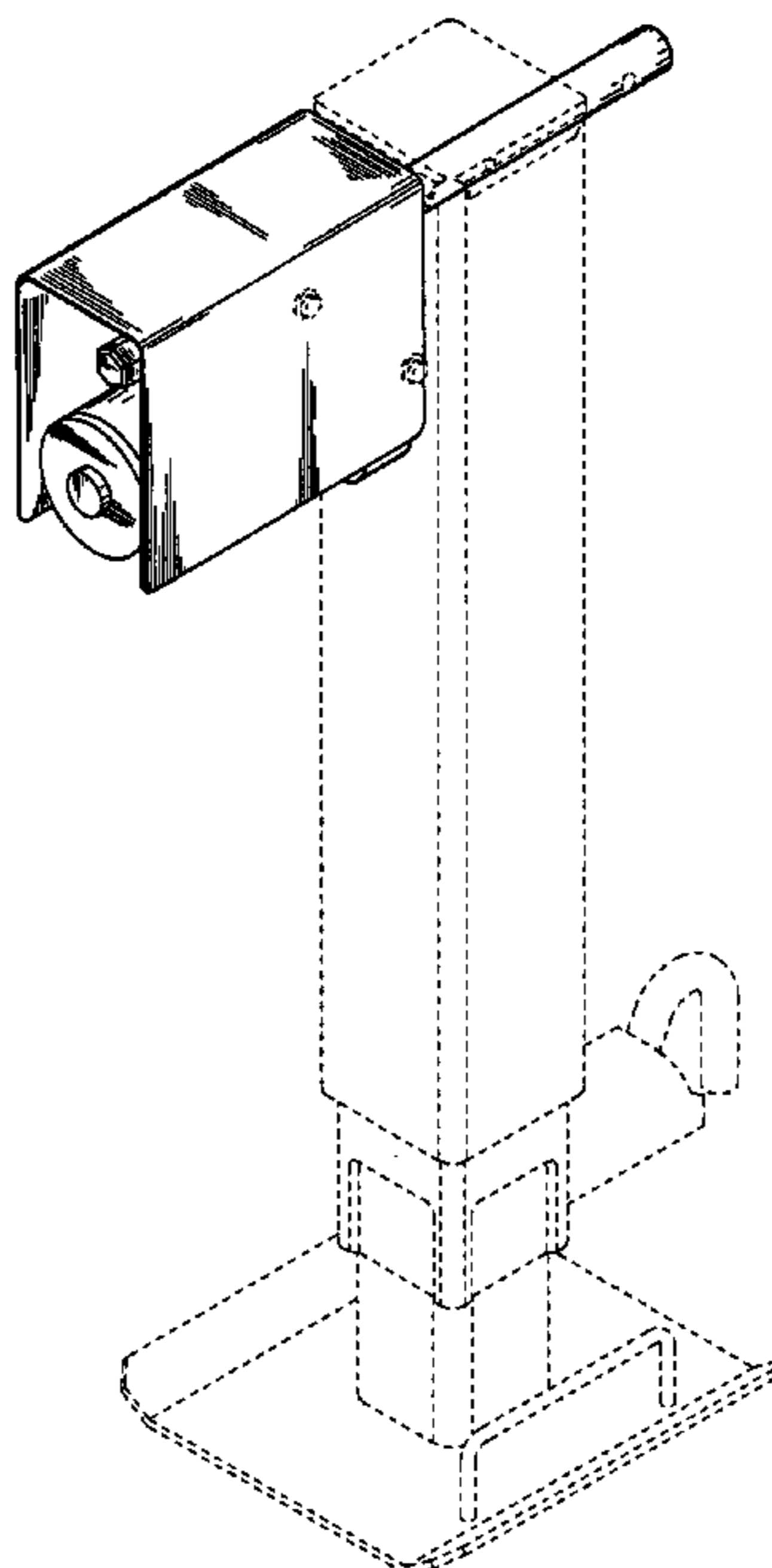
FIG. 6 is a bottom side view thereof;

FIG. 7 is a right side view thereof; and,

FIG. 8 is a left side view thereof.

The broken lines in FIGS. 1 through 4 are used for illustrative purposes only and form no part of the claimed design.

1 Claim, 4 Drawing Sheets



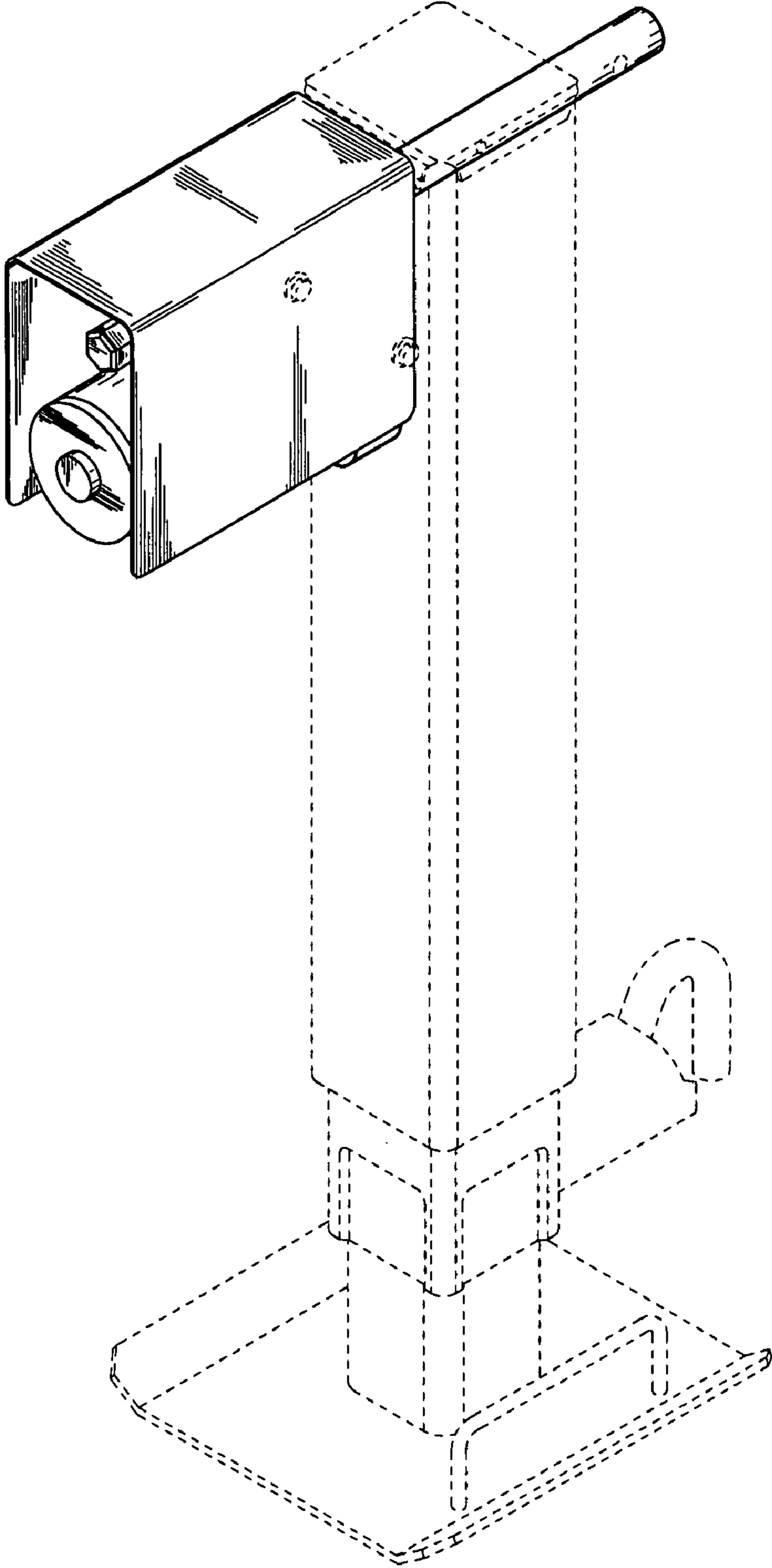


Fig. 1

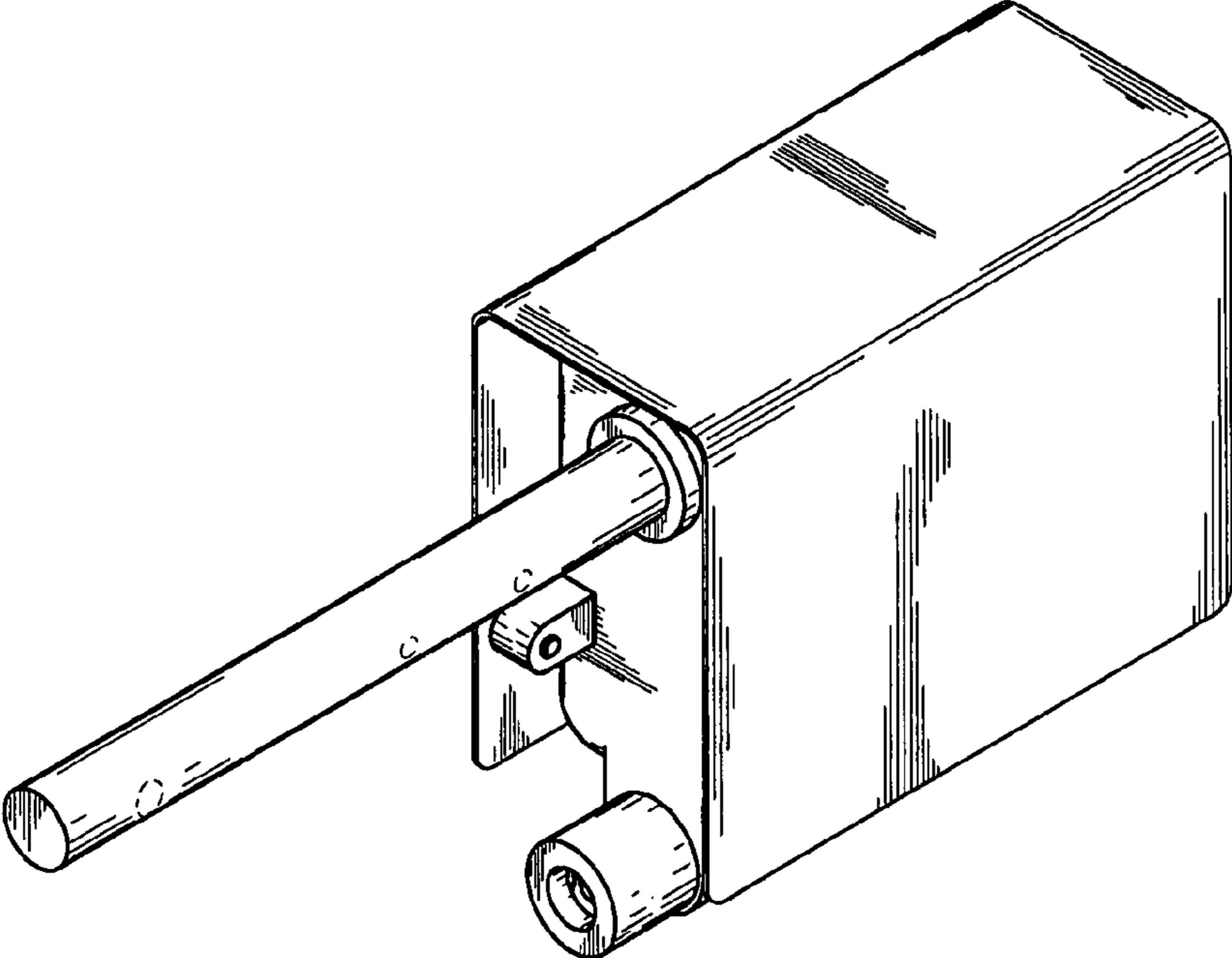


Fig. 2

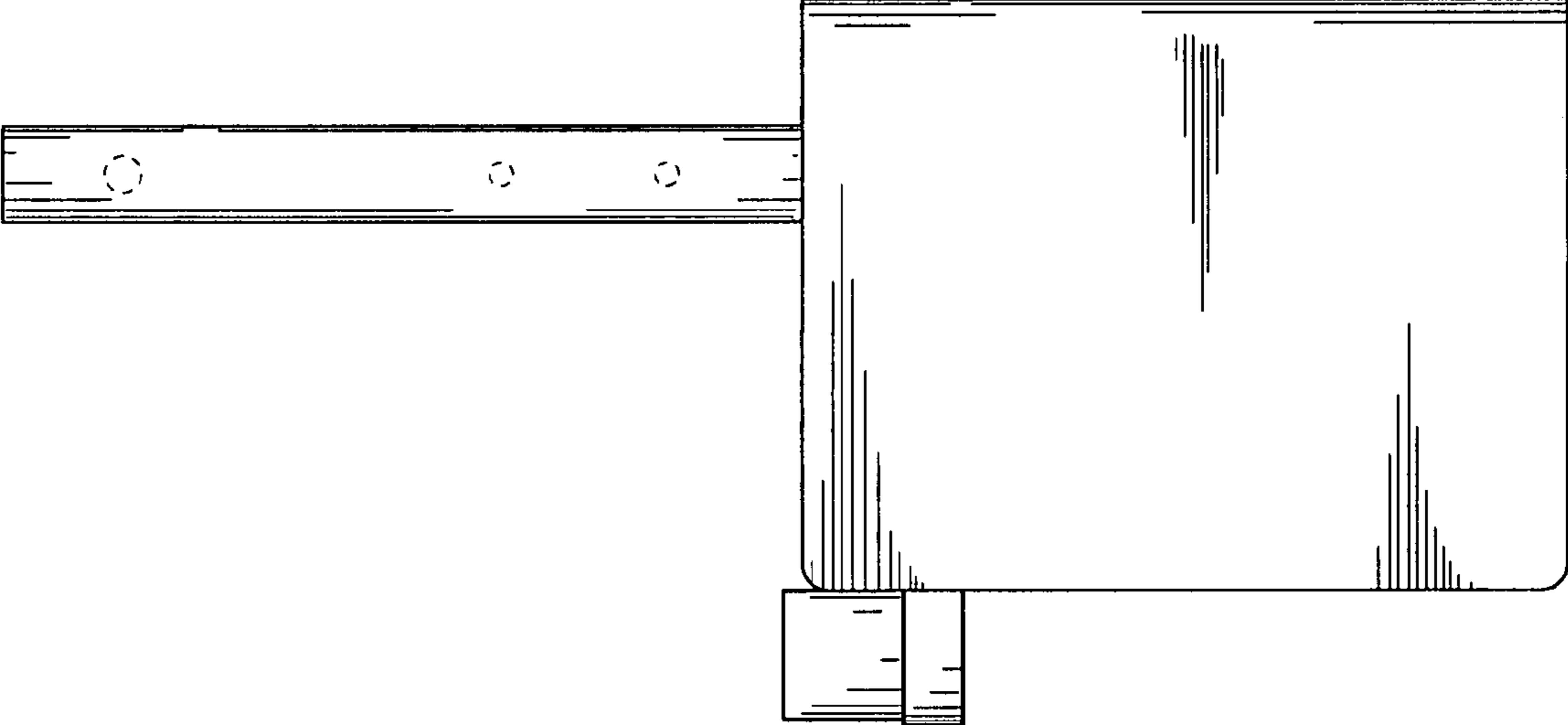
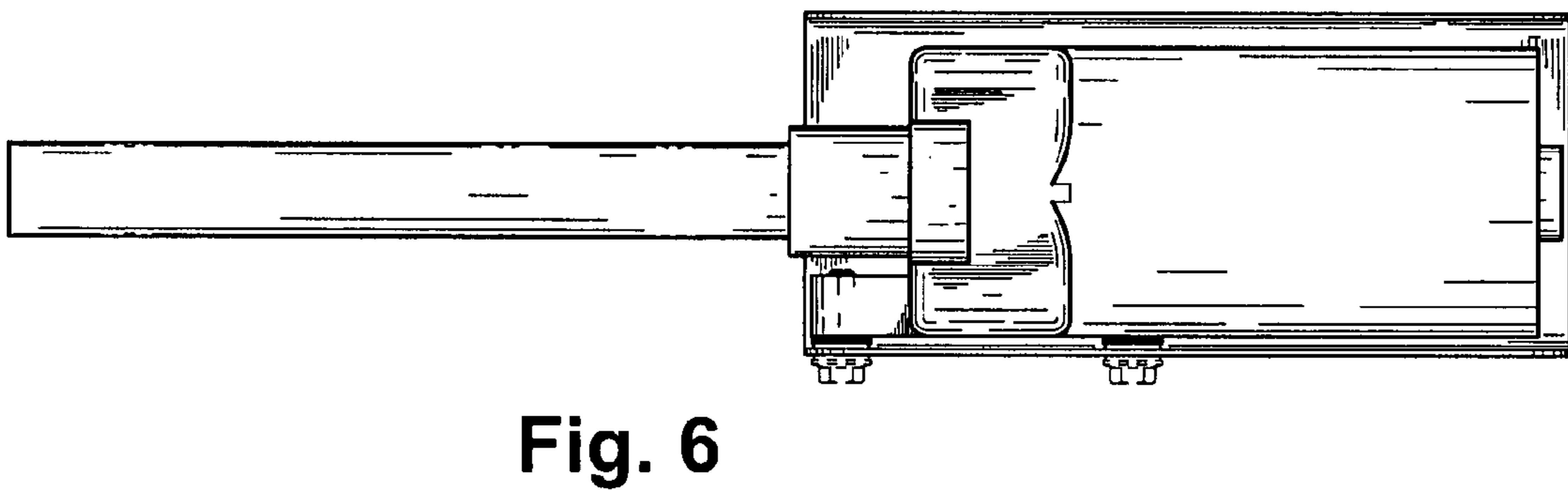
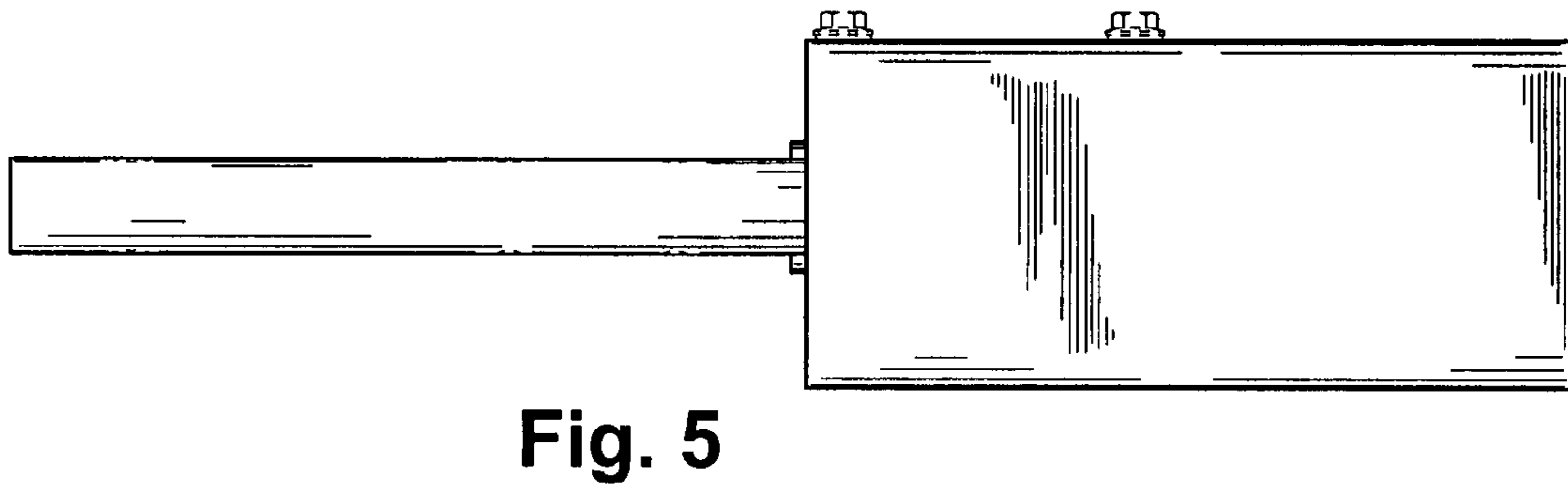
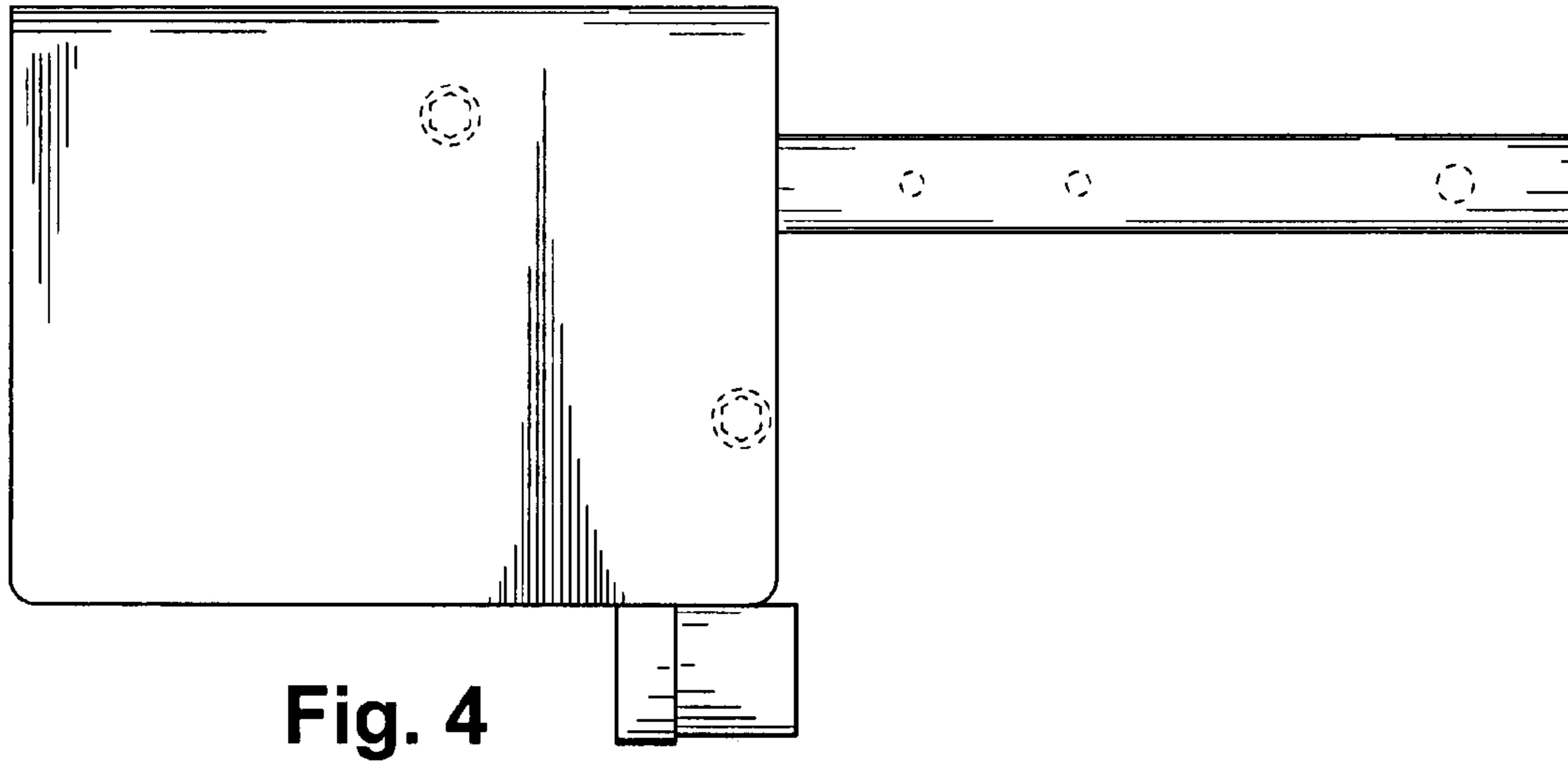


Fig. 3



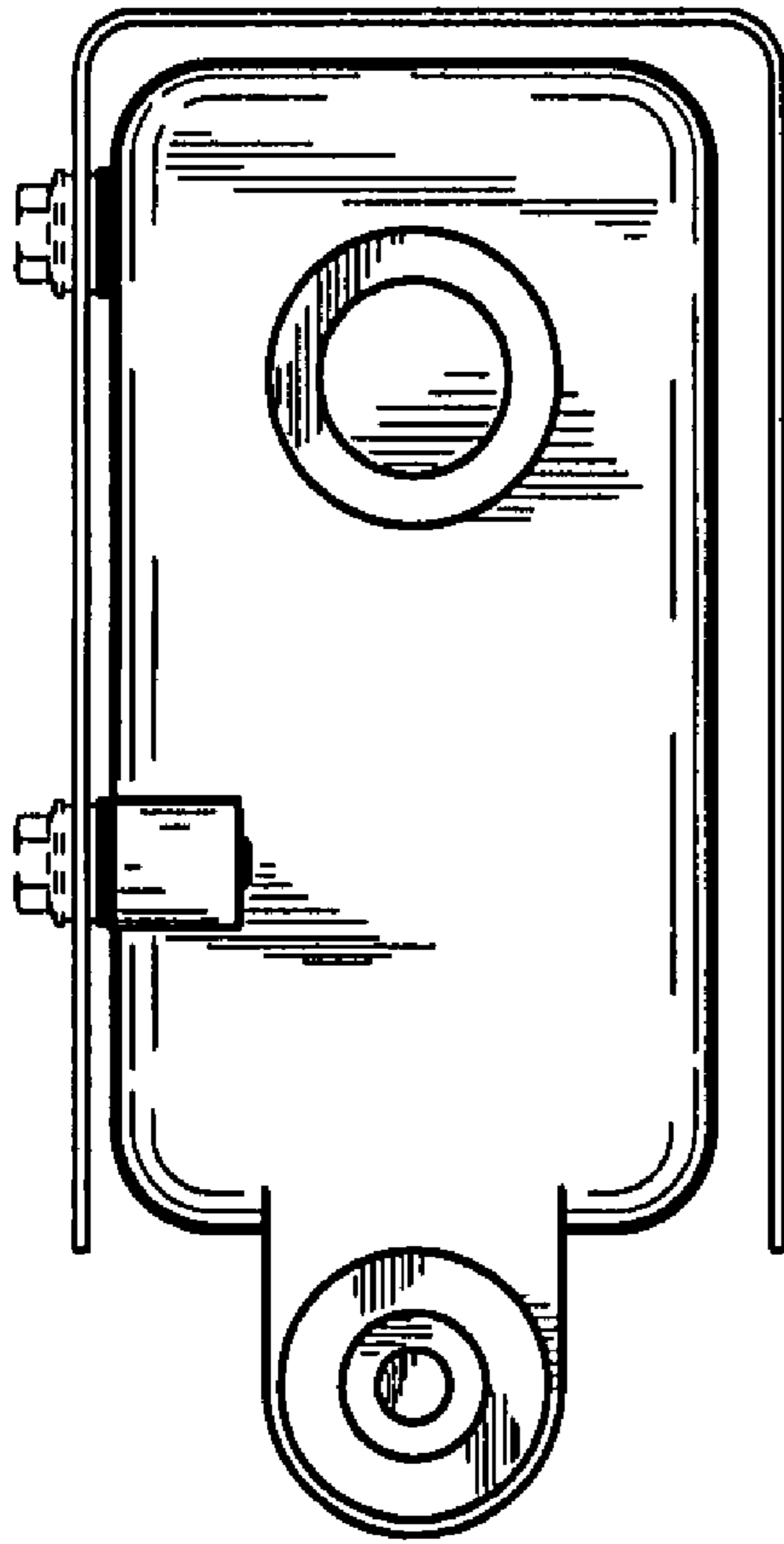


Fig. 7

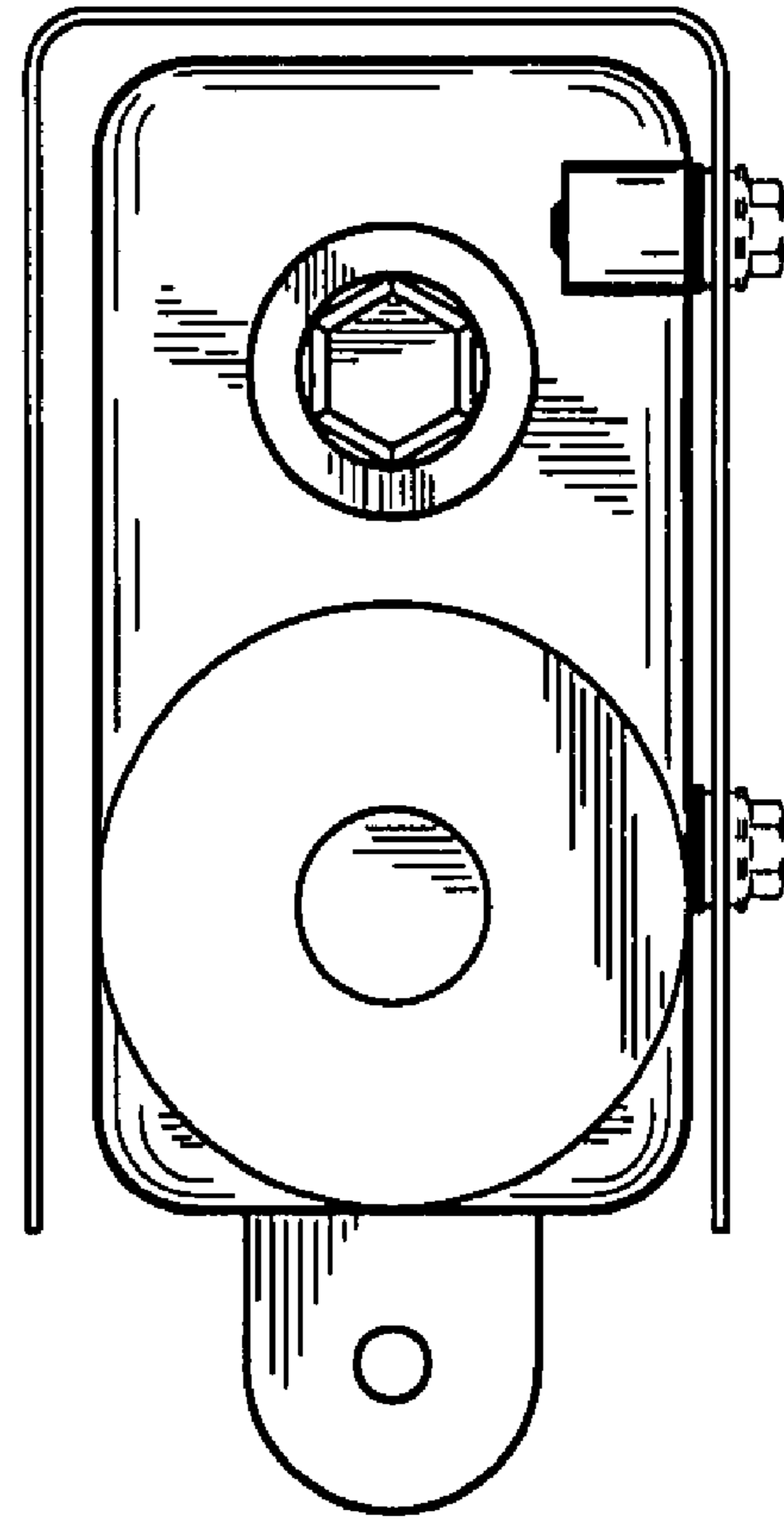


Fig. 8