



US00D561422S

(12) **United States Design Patent** (10) **Patent No.:** **US D561,422 S**  
**Kuen** (45) **Date of Patent:** **\*\* Feb. 5, 2008**

(54) **LOW PROFILE TUBULAR FRAME JACK**

(57) **CLAIM**

(75) Inventor: **Law Kam Kuen**, Kowloon (HK)

The ornamental design for a low profile tubular frame jack, as shown and described.

(73) Assignee: **Shinn Fu Corporation**, Lu Chu Hsiang (TW)

(\*\*) Term: **14 Years**

**DESCRIPTION**

(21) Appl. No.: **29/276,337**

The present document contains material related to the material of copending, cofiled, U.S. Design patent applications Ser. No. 29/276,338, entitled Tubular Frame Jack, and U.S. patent application Ser. No. 11/625,980, entitled: Tubular Frame Lifting Apparatus, the disclosures of which are hereby incorporated herein by reference.

(22) Filed: **Jan. 23, 2007**

(51) **LOC (8) Cl.** ..... **12-05**

(52) **U.S. Cl.** ..... **D34/31**

(58) **Field of Classification Search** ..... D34/28, D34/31; 254/8 B, 9 B, 84, 11, 93 H, 2 B, 254/88, DIG. 3

See application file for complete search history.

FIG. 1 is a front perspective view of the low profile tubular frame jack of the present invention with the lift arm in a retracted position;

(56) **References Cited**

**U.S. PATENT DOCUMENTS**

D263,128 S *	2/1982	Glover et al. ....	D34/31
5,755,099 A	5/1998	Hung	
D398,730 S *	9/1998	Lin .....	D34/31
5,946,912 A	9/1999	Hung	
6,199,379 B1	3/2001	Hung	
D442,345 S *	5/2001	Lee et al. ....	D34/31
D485,039 S *	1/2004	Hussaini et al. ....	D34/31
D538,502 S *	3/2007	Hernandez .....	D34/31

FIG. 2 is a right side view of the low profile tubular frame jack, shown in FIG. 1;

FIG. 3 is a left side view of the low profile tubular frame jack, shown in FIG. 1;

FIG. 4 is a top view of the low profile tubular frame jack, shown in FIG. 1;

FIG. 5 is a rear view of the low profile tubular frame jack, shown in FIG. 1;

FIG. 6 is a front view of the low profile tubular frame jack, shown in FIG. 1;

**OTHER PUBLICATIONS**

Omega® Aluminum Racing Jack, Operating Instructions & Parts Manual, Model No. 26020, OIPM#26020-RJ3, © 2003 (pp. 1-6).  
Pro-Lift® Hydraulic Floor Jack. Operating Instructions & Parts Manual, Model Nos. F-2330, F-2365, F-395 and F-368, No. OIPM#FJ-03, © 2003 (pp. 1-6).

FIG. 7 is a front perspective view of the low profile tubular frame jack, shown in FIG. 1 with the lift arm in an extended position; and,

FIG. 8 is a top plan view of the low profile tubular frame jack, shown in FIG. 1.

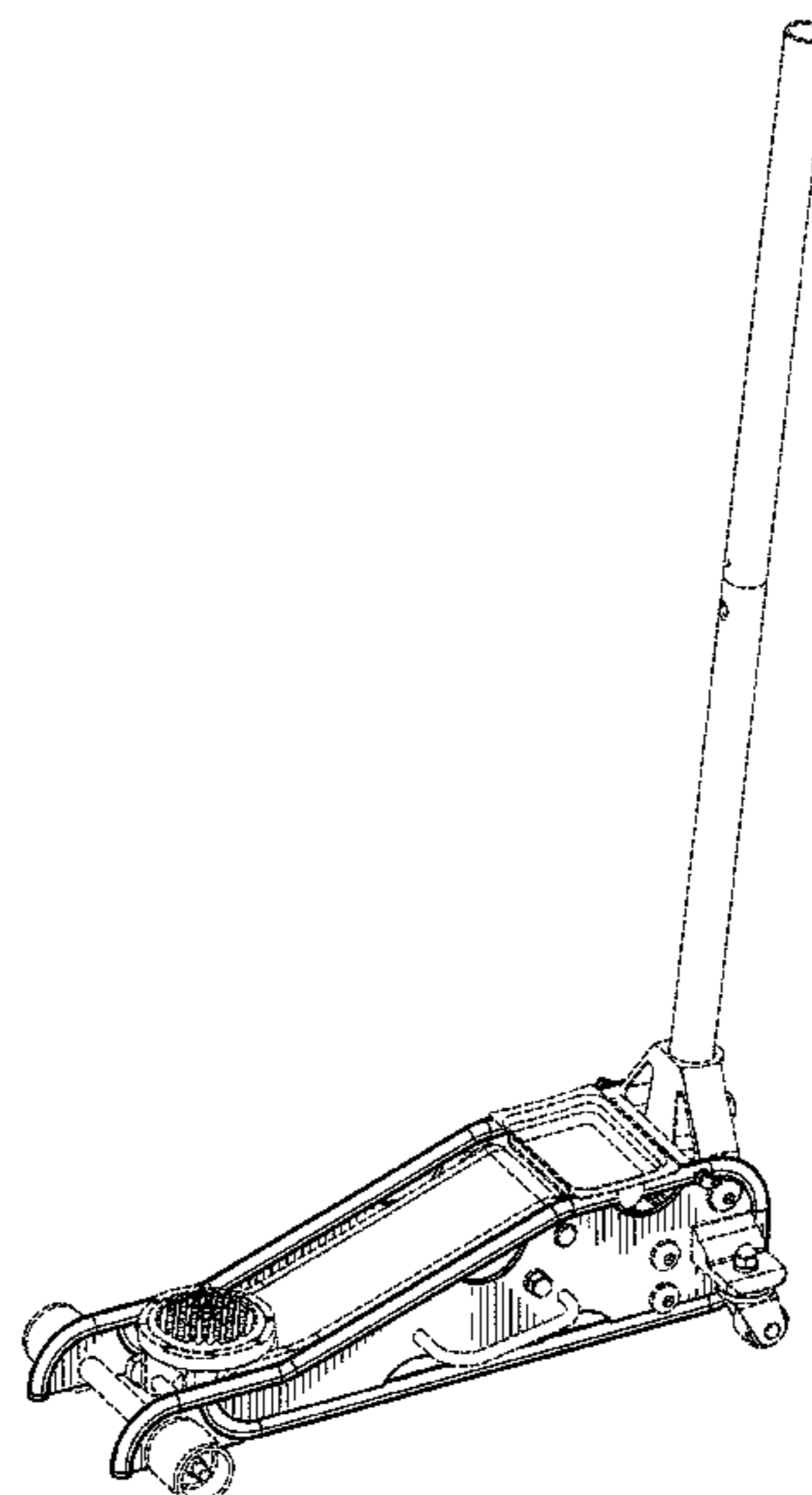
In FIGS. 1-8, the details shown in broken lines are for illustrative purposes only and form no part of the claimed design.

\* cited by examiner

Primary Examiner—Cynthia E. Ramirez

(74) Attorney, Agent, or Firm—Lathrop & Gage LC

**1 Claim, 7 Drawing Sheets**



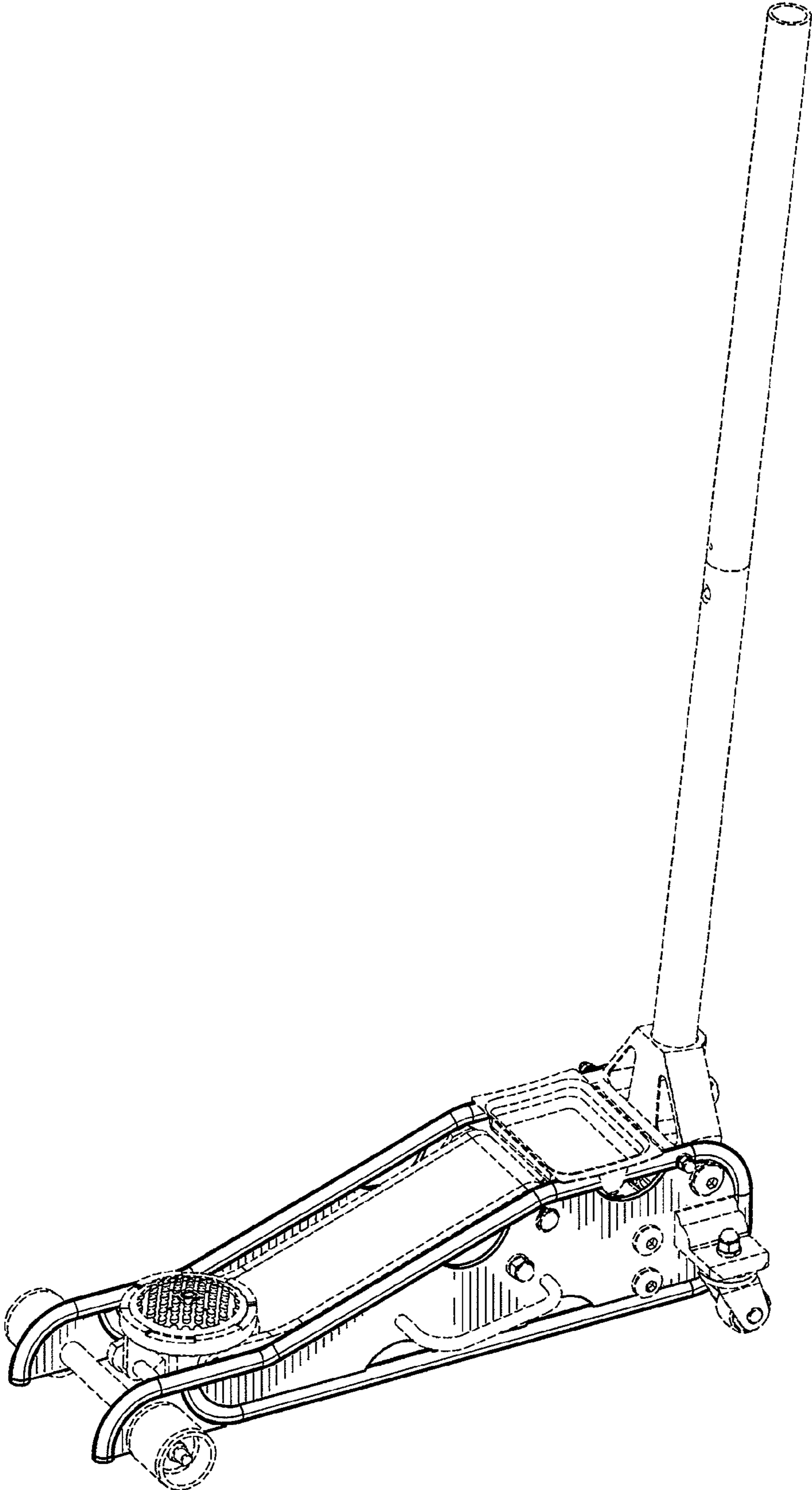


FIG.1

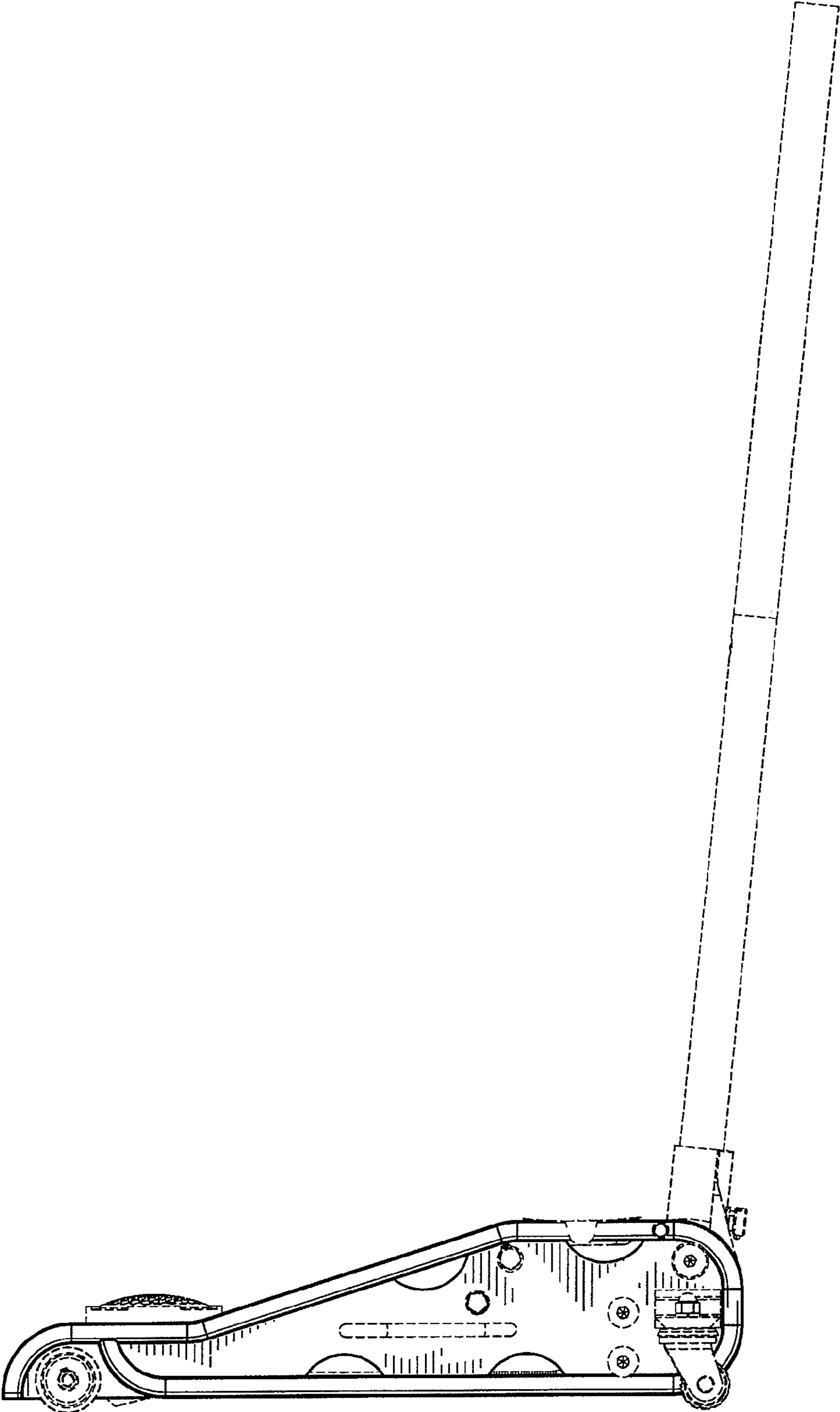


FIG.2

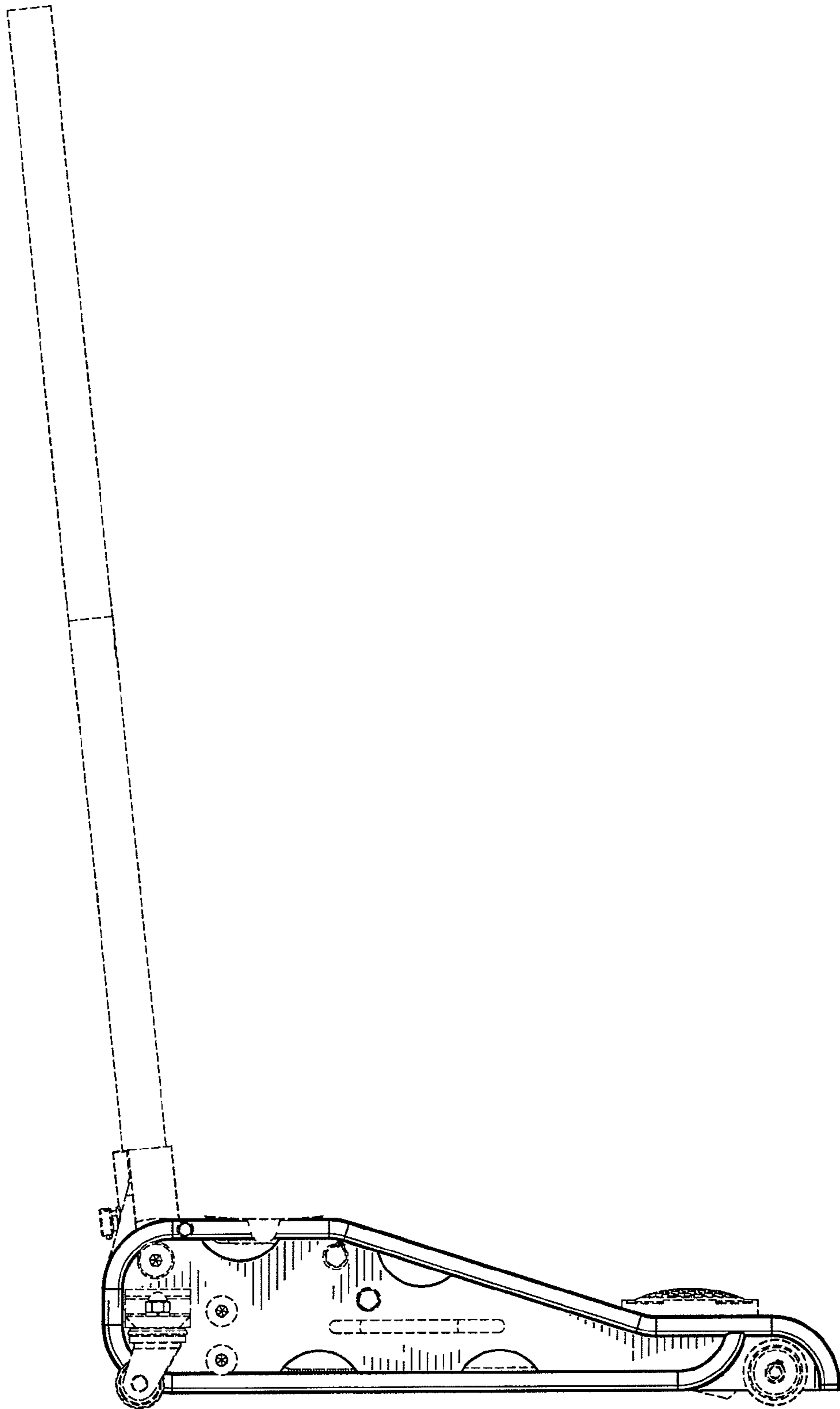


FIG. 3

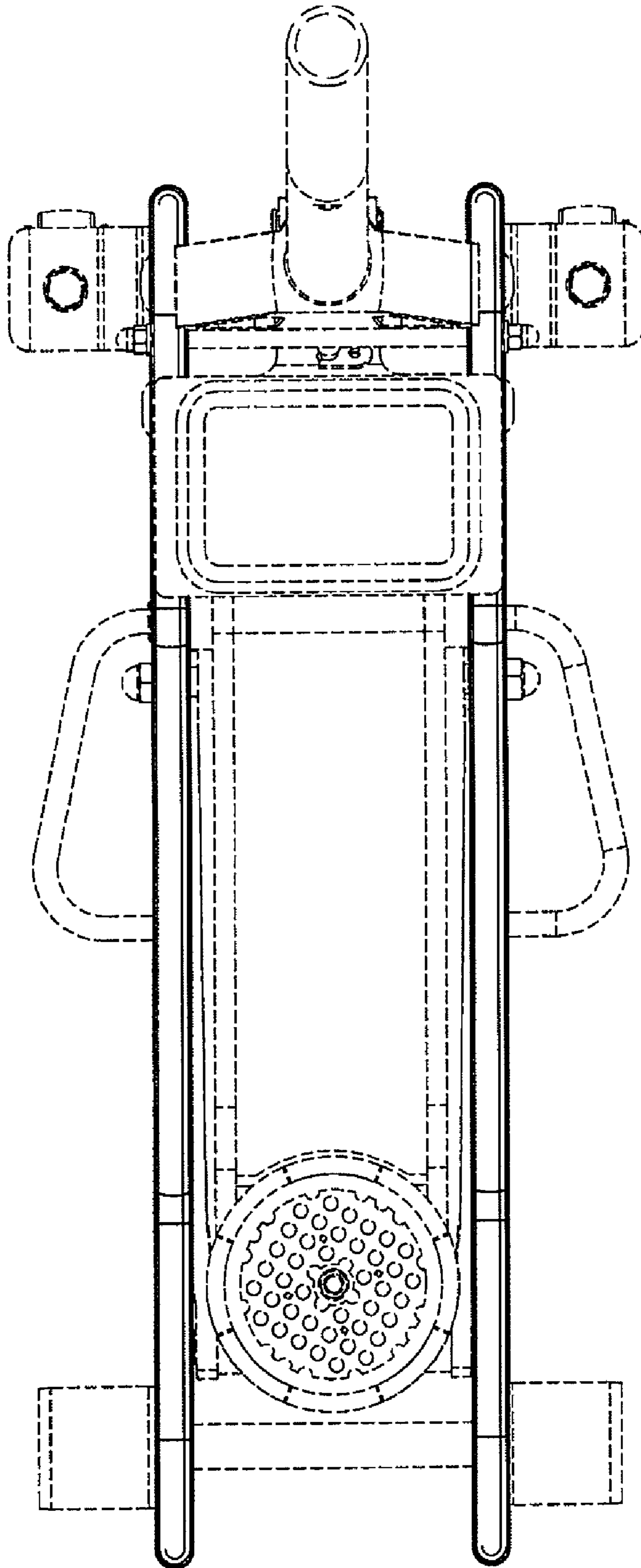


FIG. 4

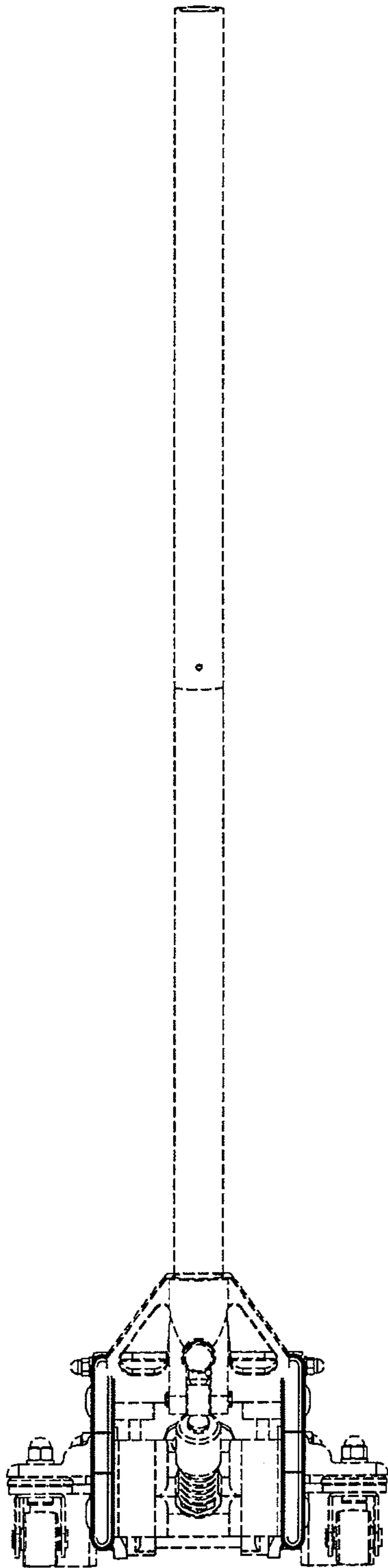


FIG. 5

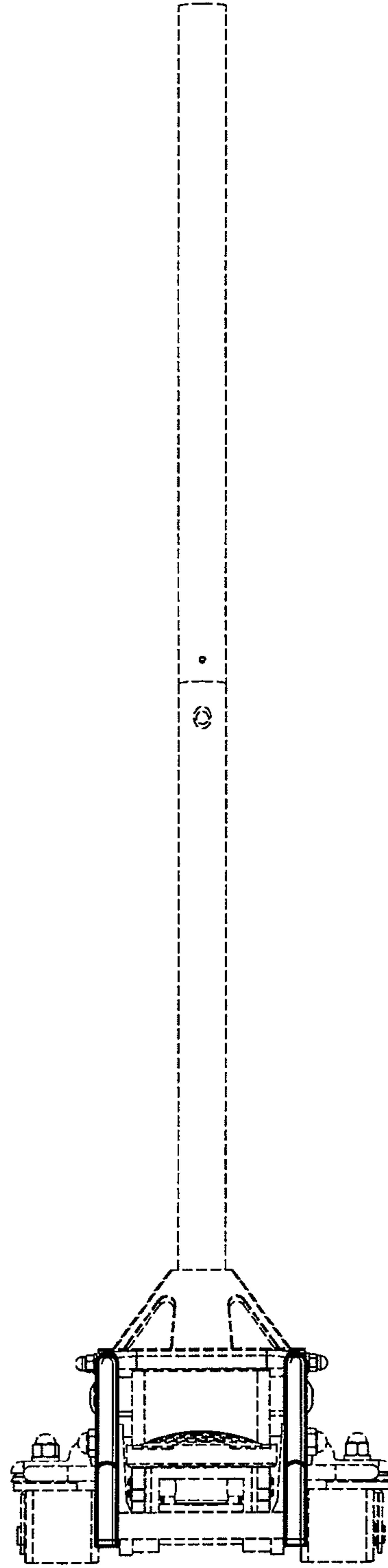


FIG. 6

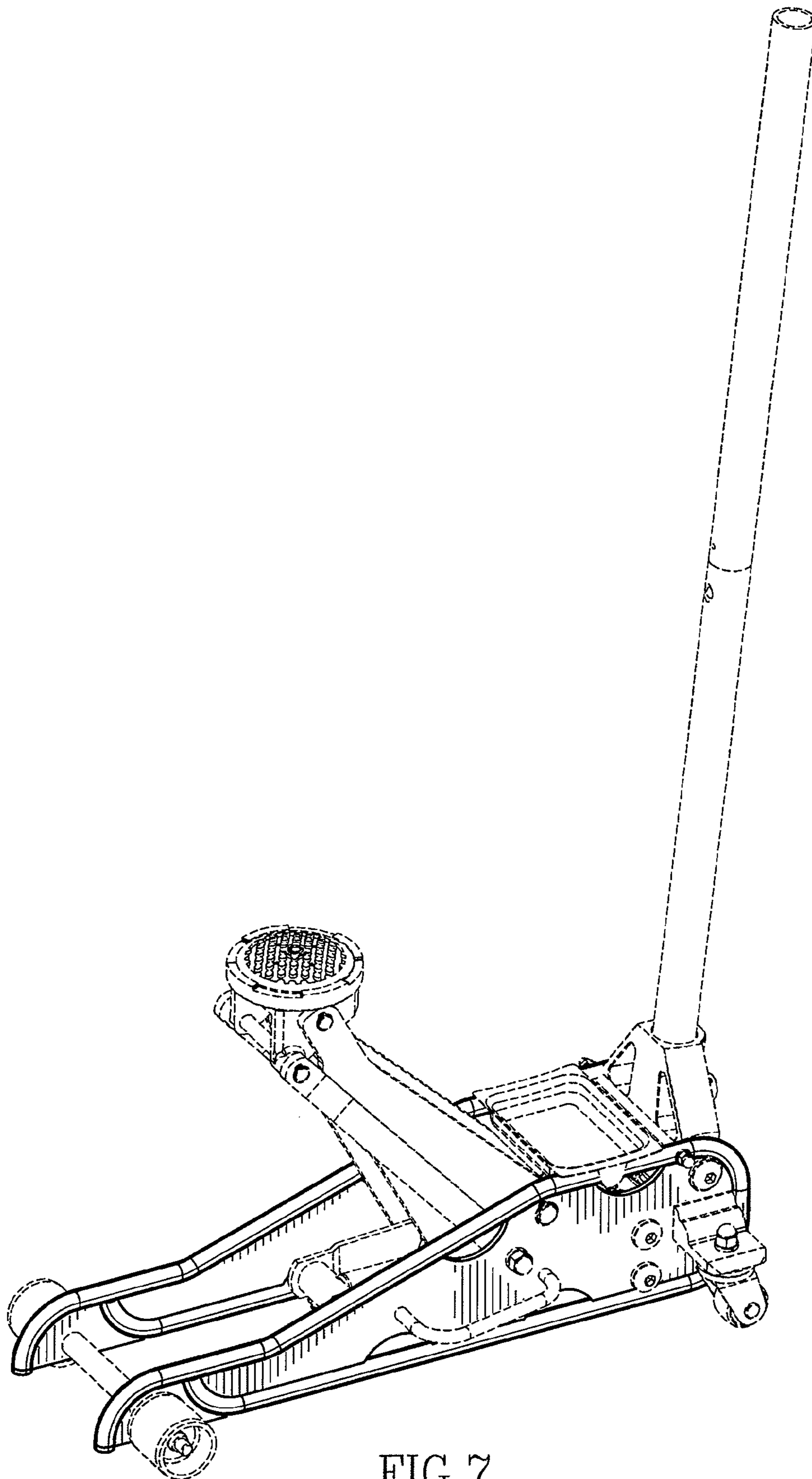


FIG. 7

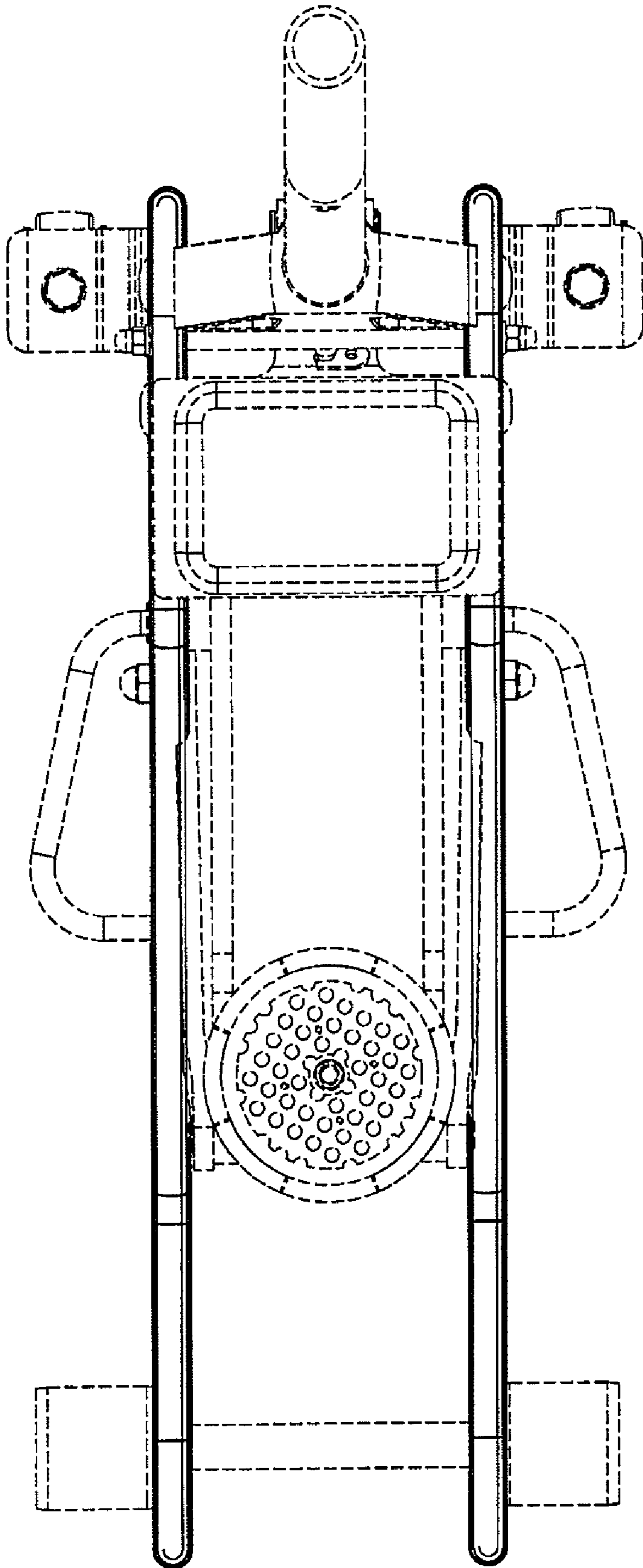


FIG. 8