

US00D561415S

(12) **United States Design Patent**
Tavano

(10) **Patent No.:** **US D561,415 S**

(45) **Date of Patent:** **** Feb. 5, 2008**

(54) **WAND ASSEMBLY FOR A VACUUM CLEANER**

(75) Inventor: **Manuel Tavano**, San Donato Milanese (IT)

(73) Assignee: **Hoover Limited**, Merthyr Tydfil (GB)

(**) Term: **14 Years**

(21) Appl. No.: **29/250,116**

(22) Filed: **Nov. 2, 2006**

(30) **Foreign Application Priority Data**

May 2, 2006 (EP) 000524376

(51) **LOC (8) Cl.** **15-05**

(52) **U.S. Cl.** **D32/34**

(58) **Field of Classification Search** D32/21-22, D32/31, 34; 15/328-329, 320-321, 323, 15/257.01, 347, 350-353, 361, 363, 366, 15/410-412, 414, 415.1-422, 422.1, 335, 15/327.1-327.7

See application file for complete search history.

(56) **References Cited**

U.S. PATENT DOCUMENTS

- D353,917 S * 12/1994 Hoekstra et al. D32/31
- D420,477 S * 2/2000 Saunders et al. D32/34
- D431,335 S * 9/2000 Mehaffey et al. D32/34
- D463,077 S * 9/2002 Kim D32/21
- D485,030 S * 1/2004 Svaldi D32/34

- 7,047,593 B2 * 5/2006 Kitamura et al. 15/353
- D525,755 S * 7/2006 Simmonds D32/34
- 2005/0060838 A1 * 3/2005 Walter et al. 15/414
- 2007/0130720 A1 * 6/2007 Kim et al. 15/320

* cited by examiner

Primary Examiner—Ruth McInroy

(74) *Attorney, Agent, or Firm*—Gordon & Jacobson, PC

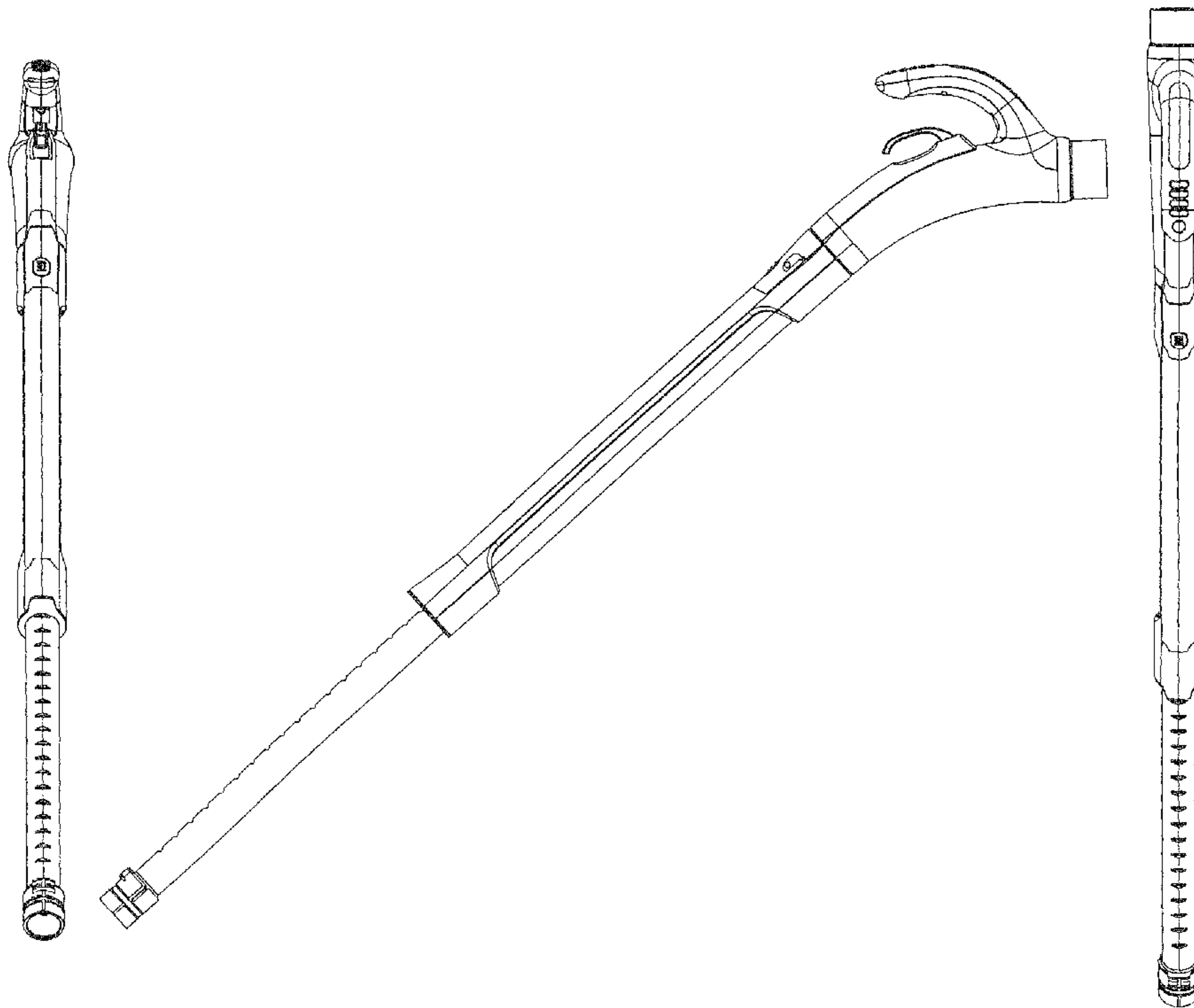
(57) **CLAIM**

The ornamental design for a wand assembly for a vacuum cleaner, as shown and described.

DESCRIPTION

- FIG. 1 is a front view in a closed position;
- FIG. 2 is a rear view in a closed position;
- FIG. 3 is a right side view in a closed position;
- FIG. 4 is a left side view in a closed position;
- FIG. 5 is a top view in a closed position;
- FIG. 6 is a bottom view in a closed position;
- FIG. 7 is a front view in an open position;
- FIG. 8 is a rear view in an open position;
- FIG. 9 is a right side view in an open position;
- FIG. 10 is a left side view in an open position;
- FIG. 11 is a top view in an open position; and,
- FIG. 12 is a bottom view in an open position.

1 Claim, 8 Drawing Sheets



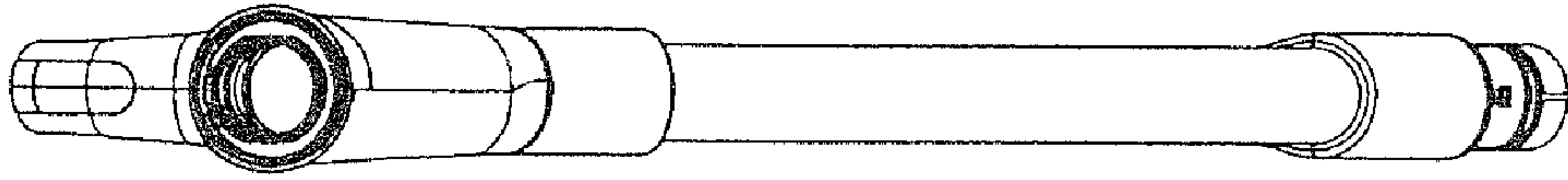


FIG. 2

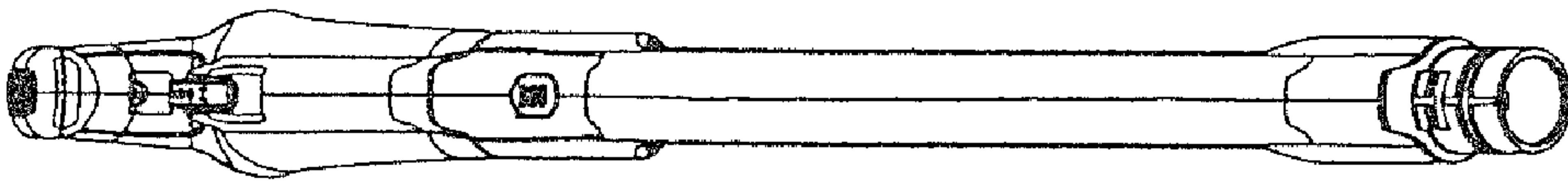


FIG. 1

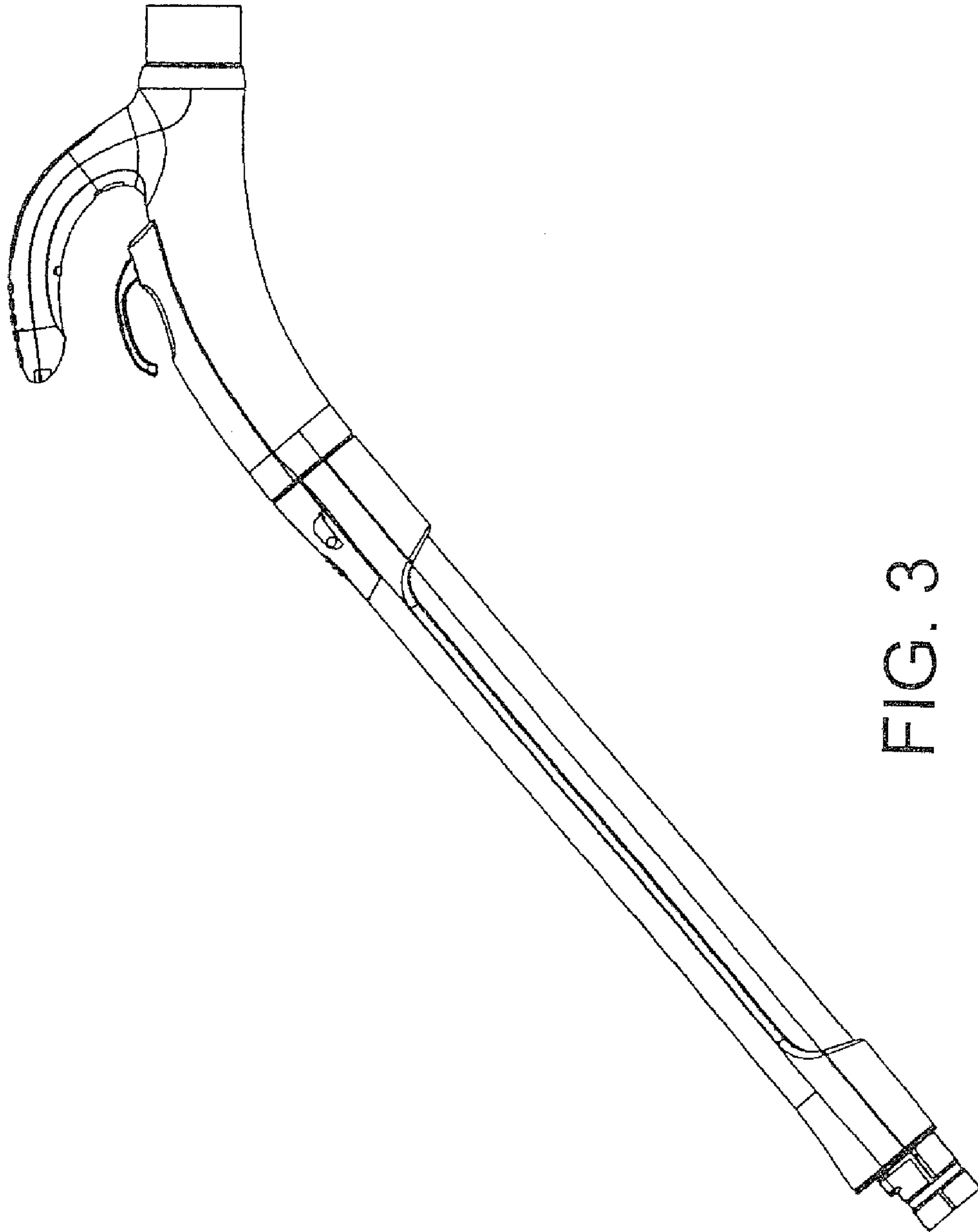


FIG. 3

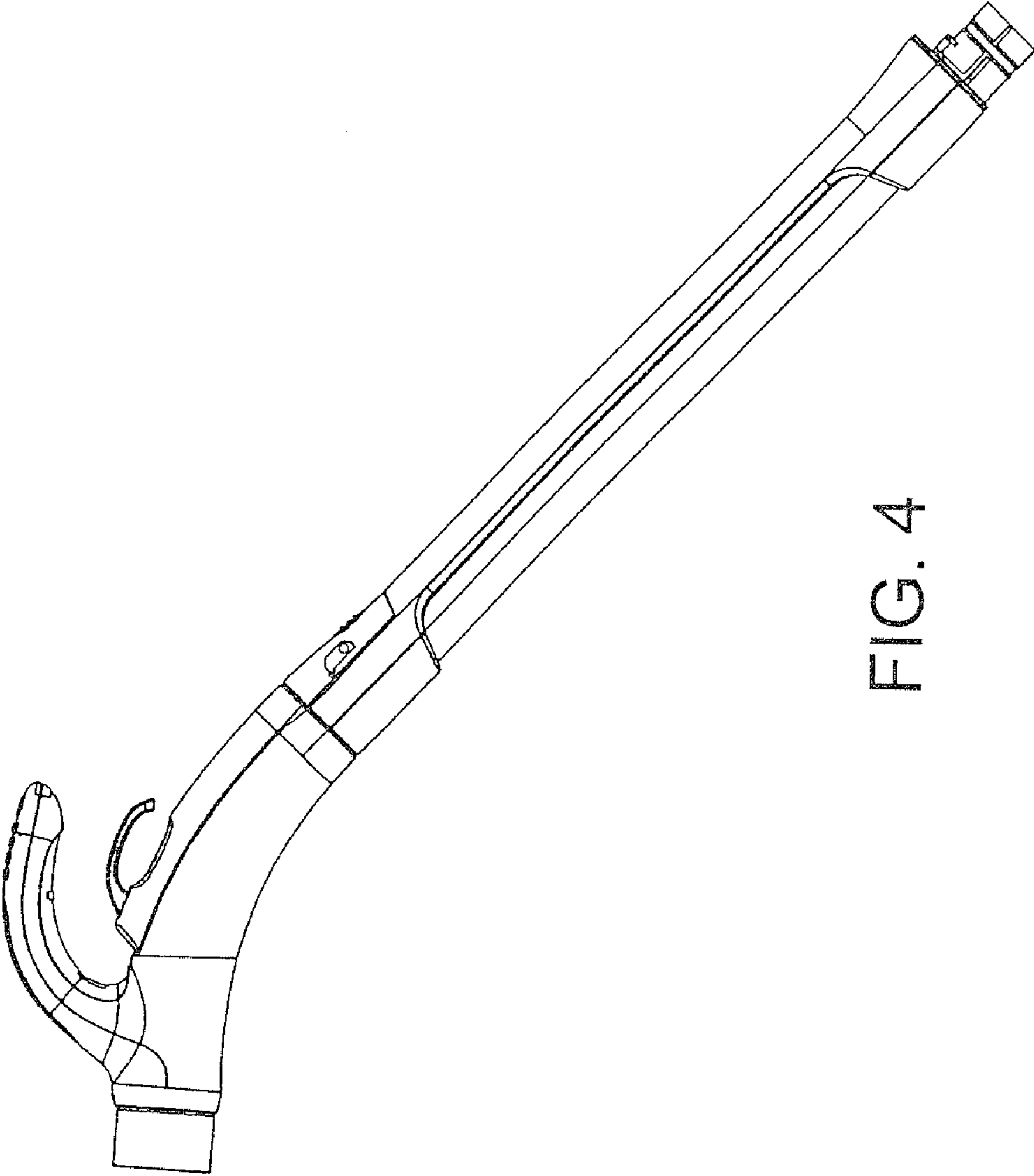


FIG. 4

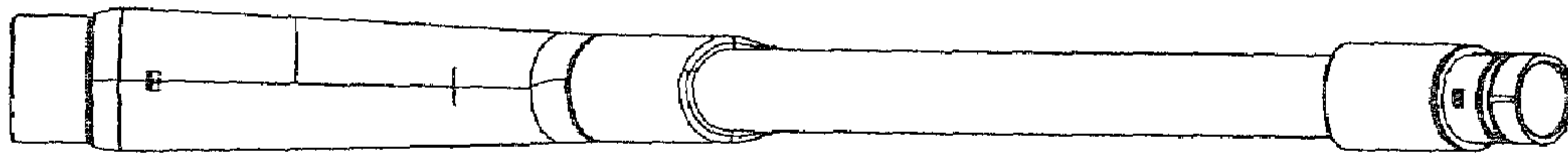


FIG. 6

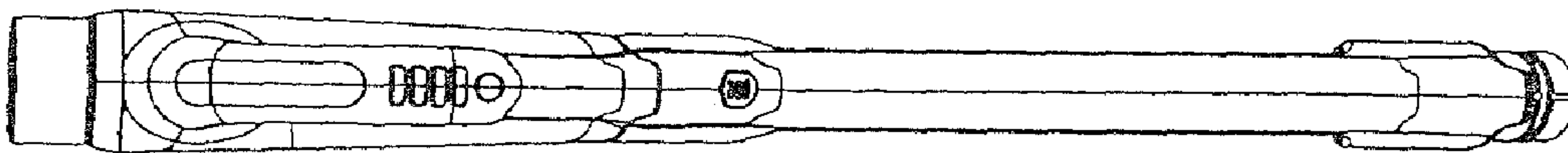


FIG. 5

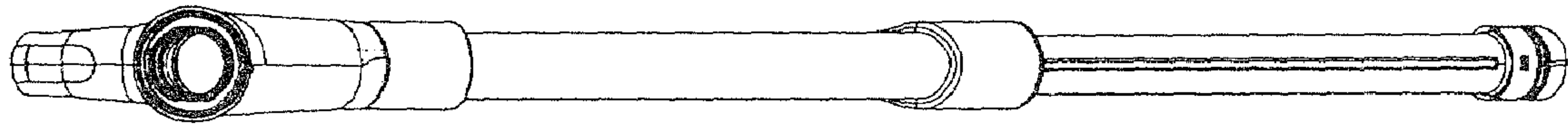


FIG. 8

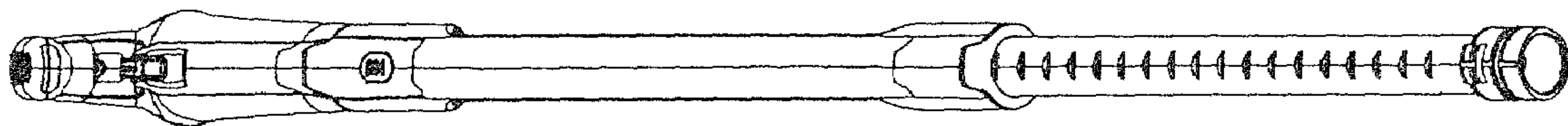


FIG. 7

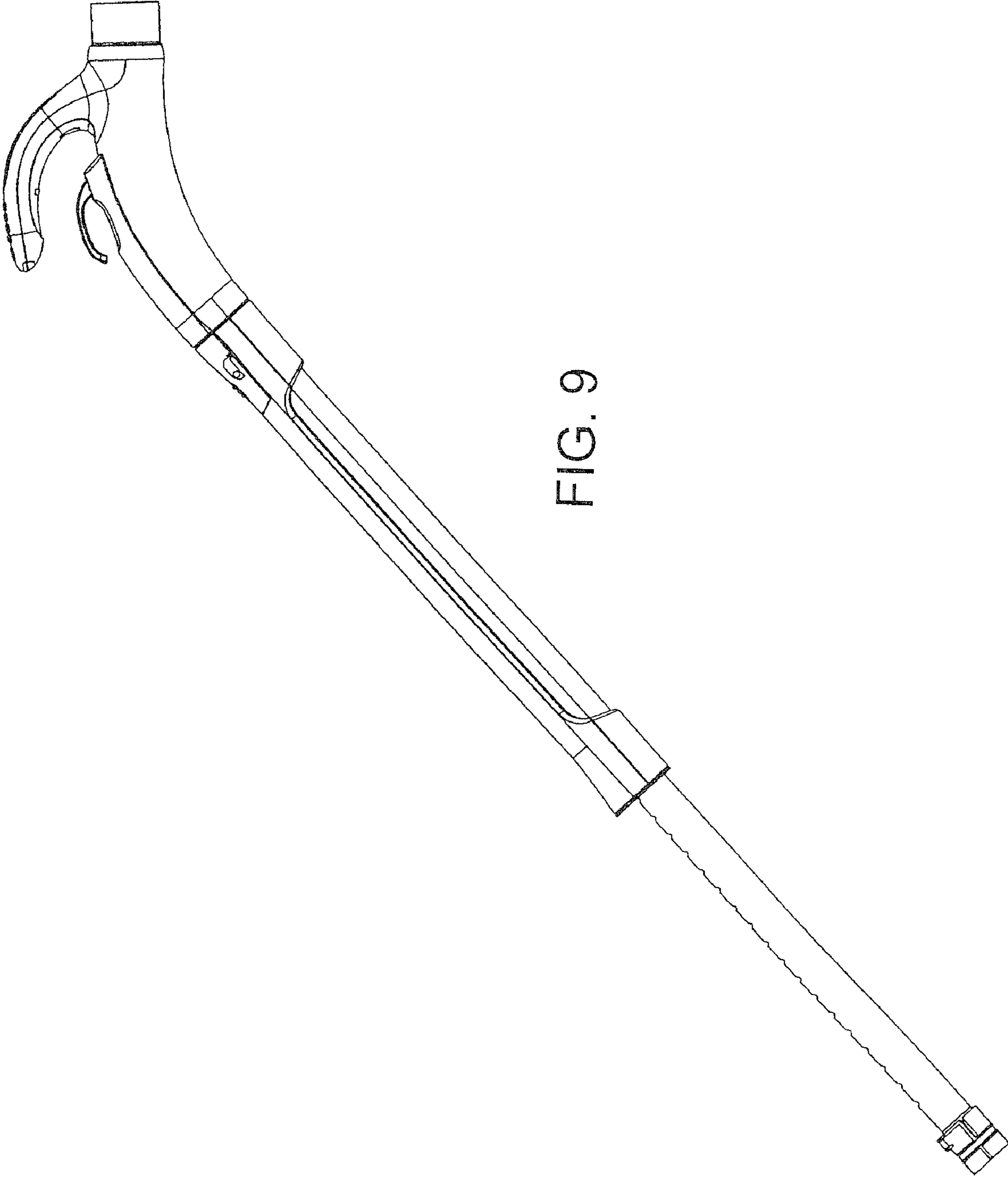


FIG. 9

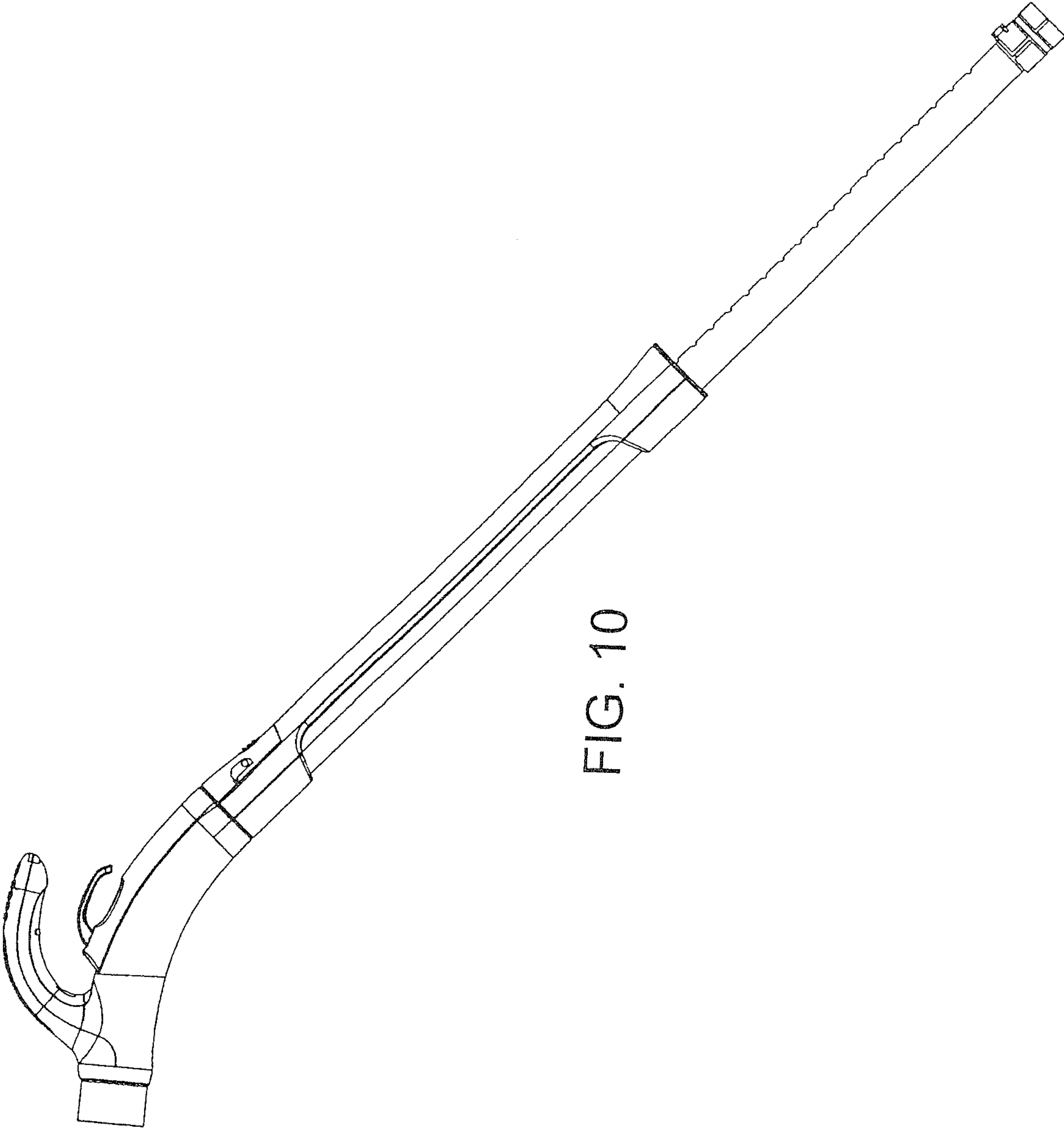


FIG. 10

FIG. 12

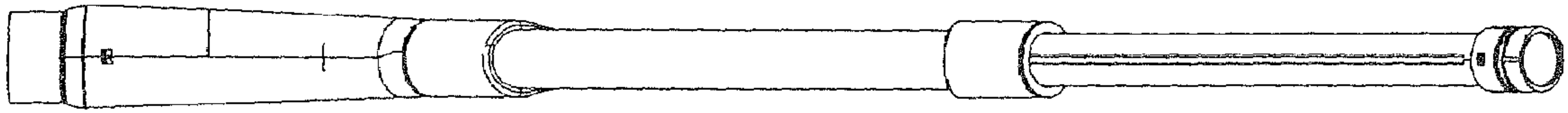


FIG. 11

