



US00D561414S

(12) **United States Design Patent** (10) **Patent No.:** **US D561,414 S**
Cline et al. (45) **Date of Patent:** **** Feb. 5, 2008**

(54) **LAUNDRY APPLIANCE CONSOLE**

(75) Inventors: **Wyatt A. Cline**, Niles, MI (US); **Leah Z. Lader**, St. Joseph, MI (US); **Jeffrey M. Browne**, Benton Harbor, MI (US)

(73) Assignee: **Whirlpool Corporation**, Benton Harbor, MI (US)

(**) Term: **14 Years**

(21) Appl. No.: **29/267,226**

(22) Filed: **Oct. 7, 2006**

(51) **LOC (8) Cl.** **15-05**

(52) **U.S. Cl.** **D32/28**

(58) **Field of Classification Search** D32/1, D32/2, 3, 5, 6, 8, 25, 28; 68/3 R; 312/31; 34/524; 134/57 D, 58 D, 93; D7/340, 406
See application file for complete search history.

(56) **References Cited**

U.S. PATENT DOCUMENTS

- D179,403 S * 12/1956 Wilson D7/406
- D196,806 S * 11/1963 Collins D32/6
- D373,860 S * 9/1996 Manke D32/3
- D380,883 S * 7/1997 Katz et al. D32/25
- D398,102 S * 9/1998 Schober D32/25

* cited by examiner

Primary Examiner—Stella M. Reid

Assistant Examiner—Kathleen Sims

(74) *Attorney, Agent, or Firm*—Michael D. LaFrenz; Tara M. Hartman

(57) **CLAIM**

The ornamental design for a laundry appliance console, as shown and described.

DESCRIPTION

FIG. 1 is a right front perspective view of the laundry appliance console;

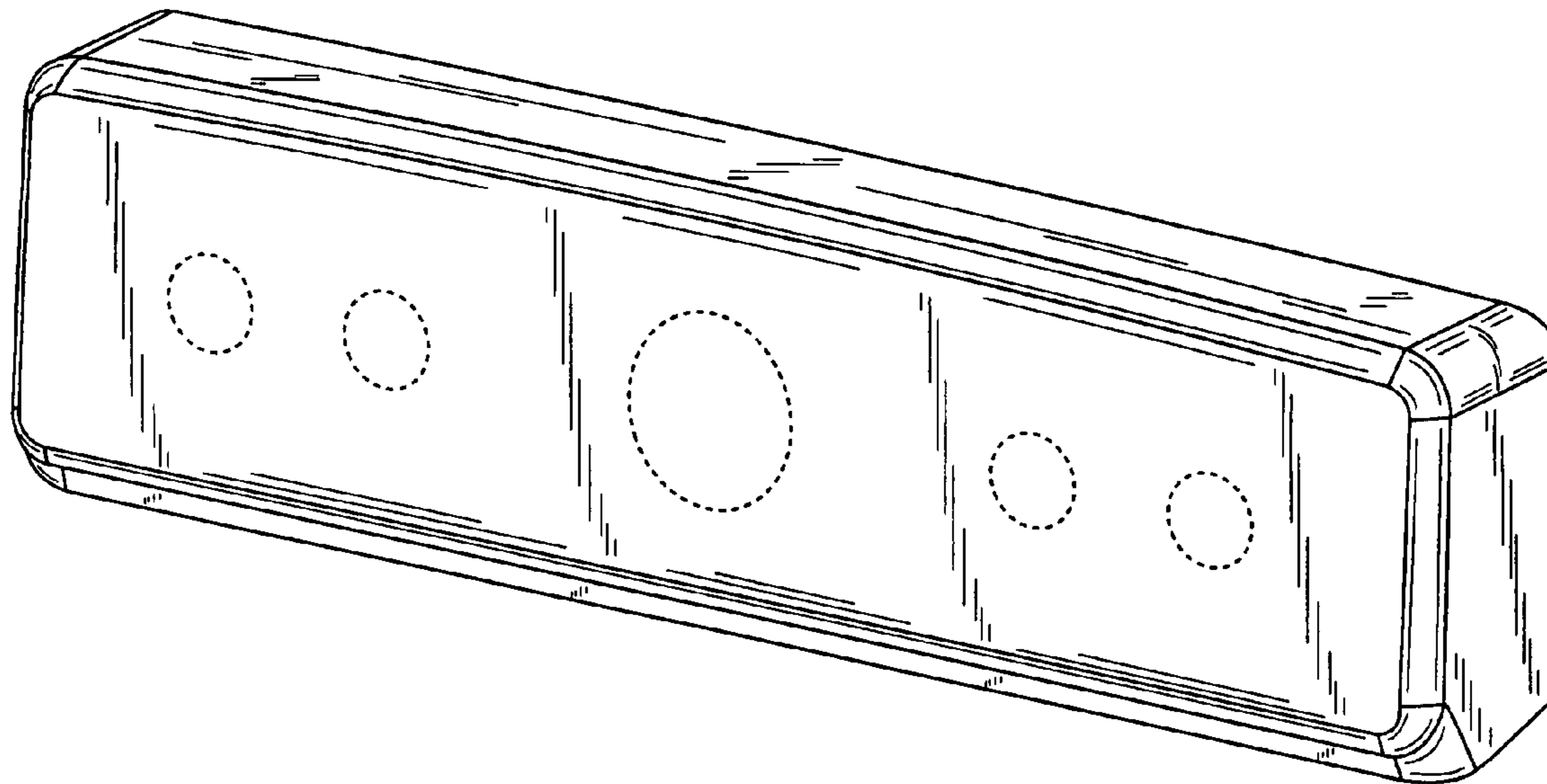
FIG. 2 is a front elevational view thereof. The ornamental design is not visible in a rear view;

FIG. 3 is a right side elevational view thereof, the left side elevational view being a mirror image; and,

FIG. 4 is a top plan view thereof. The ornamental design is not visible in a bottom view.

The broken line showing of mechanical indicators is included for the purpose of illustrating portions of the laundry appliance console and forms no part of the claimed design.

1 Claim, 3 Drawing Sheets



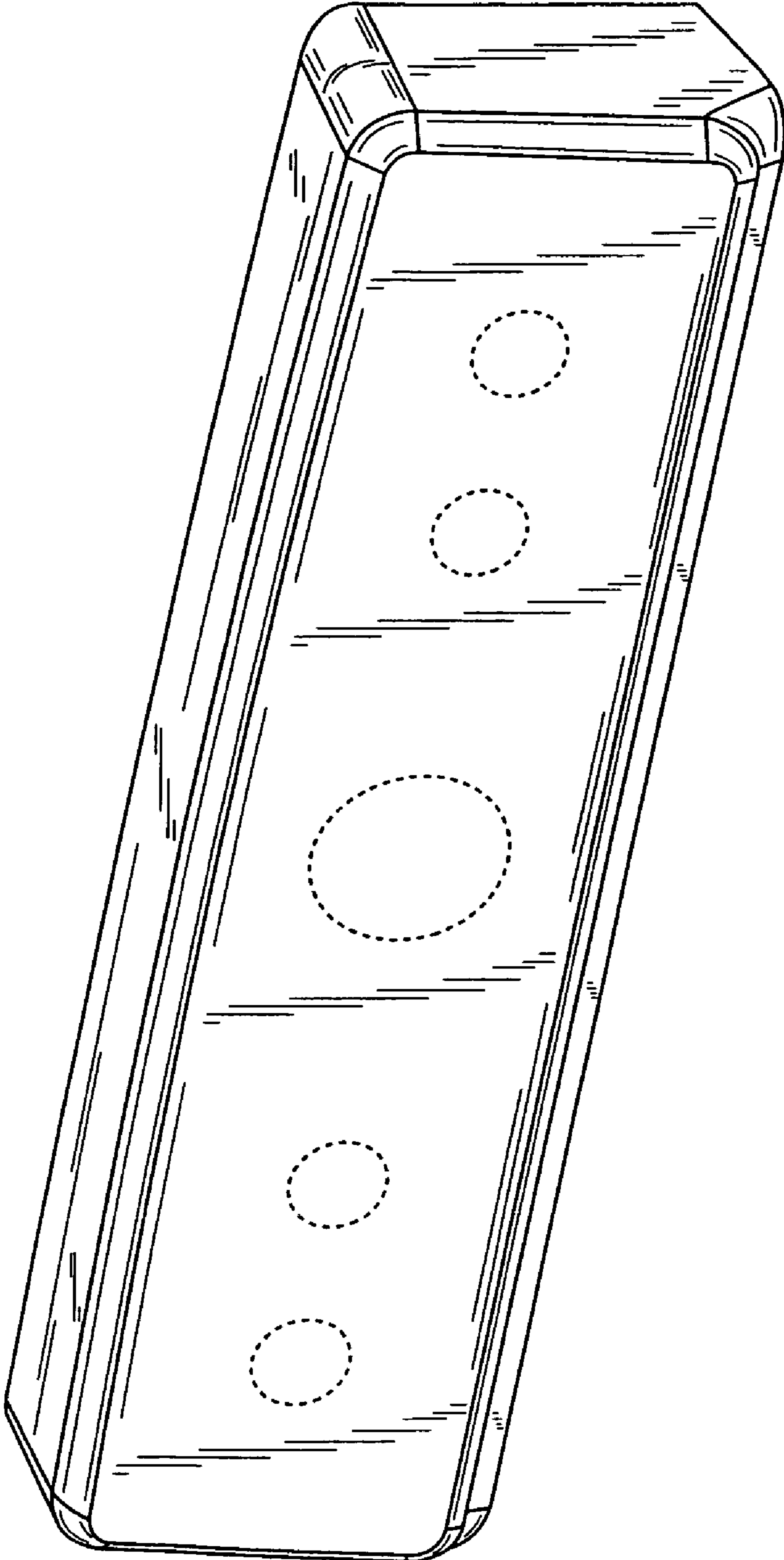


Fig. 1

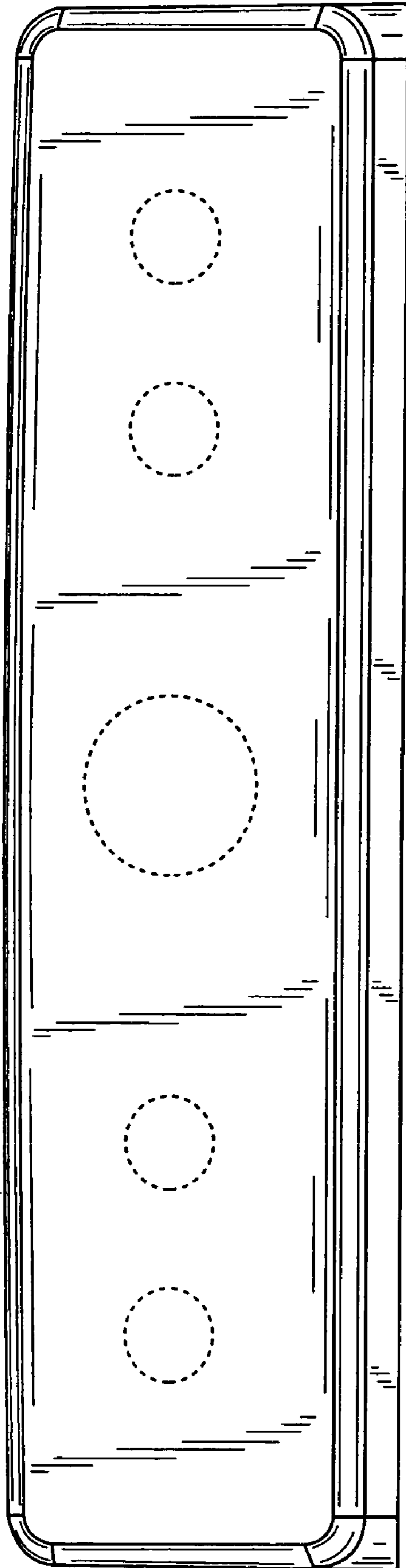


Fig. 2

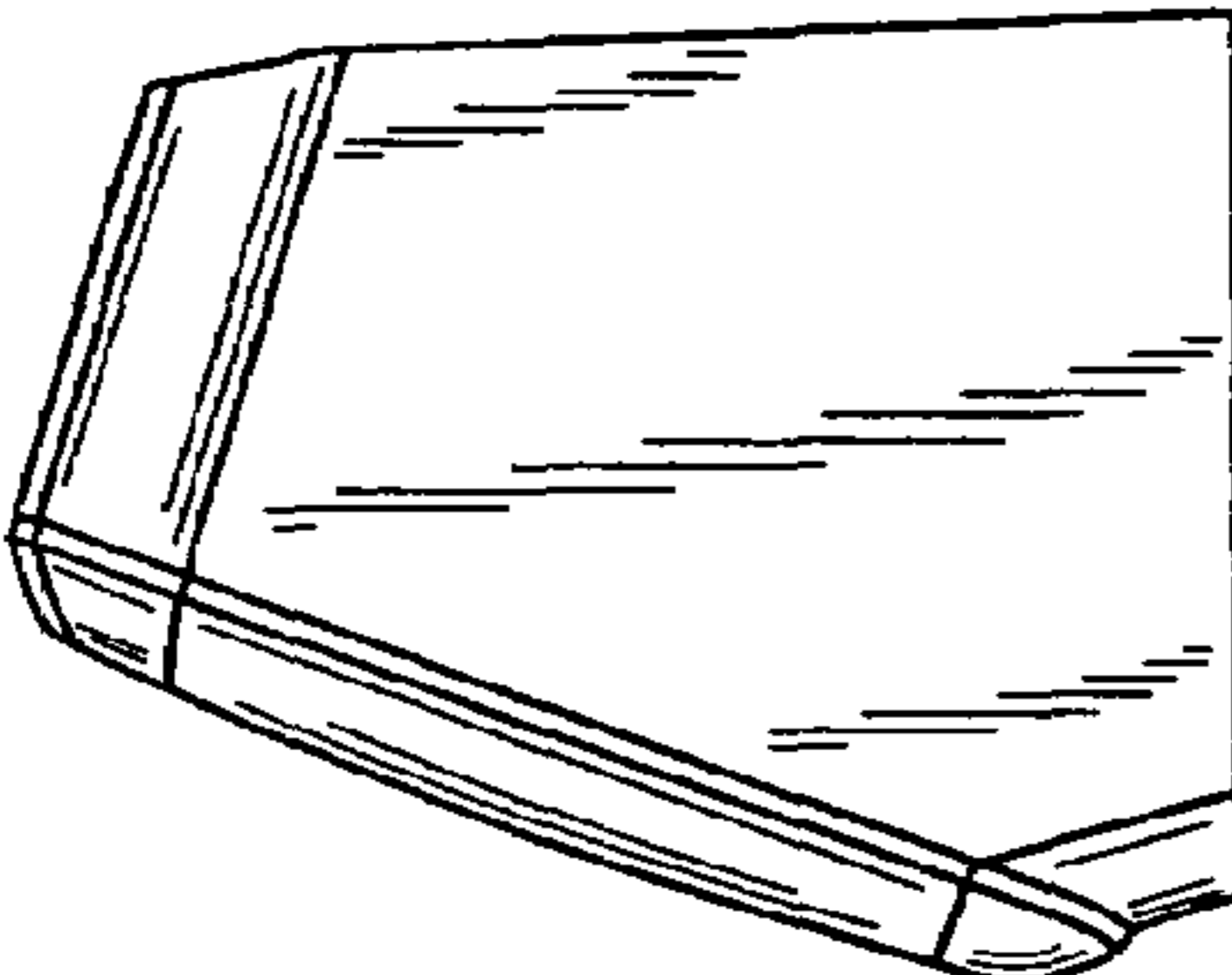


Fig. 3

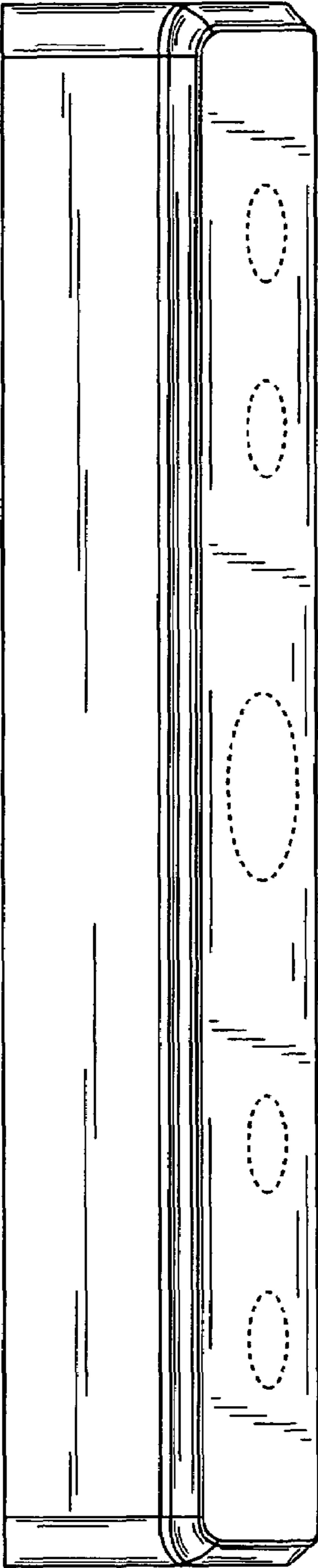


Fig. 4