

US00D561413S

(12) **United States Design Patent**
Song et al.

(10) **Patent No.:** **US D561,413 S**

(45) **Date of Patent:** **** Feb. 5, 2008**

(54) **DISHWASHER DETERGENT CONTAINER**

(75) Inventors: **Seung Hyun Song**, Seoul (KR); **Ha Young Kim**, Goyang-Si (KR)

(73) Assignee: **LG Electronics Inc.**, Seoul (KR)

(**) Term: **14 Years**

(21) Appl. No.: **29/262,883**

(22) Filed: **Jul. 13, 2006**

(30) **Foreign Application Priority Data**

Jan. 13, 2006 (KR) 30-2006-0001456

(51) **LOC (8) Cl.** **15-05**

(52) **U.S. Cl.** **D32/3**

(58) **Field of Classification Search** D32/1,
D32/2, 3, 5, 6, 28, 25, 29.1; 134/184, 200,
134/25.2, 57 D, 58 D, 93, 99.2

See application file for complete search history.

(56) **References Cited**

U.S. PATENT DOCUMENTS

D352,578 S * 11/1994 Mooney et al. D32/3
D393,333 S * 4/1998 Kibler et al. D32/3
D481,178 S * 10/2003 Wendt et al. D32/3
7,047,987 B2 * 5/2006 Cerruti et al. 134/58 D

7,063,092 B2 * 6/2006 Cerruti 134/93
2004/0069325 A1 * 4/2004 Cerruti et al. 134/25.2
2004/0217125 A1 * 11/2004 Marone 222/64
2005/0039778 A1 * 2/2005 Cantave et al. 134/25.2
2005/0103365 A1 * 5/2005 Cerruti 134/93

* cited by examiner

Primary Examiner—Stella M. Reid

Assistant Examiner—Kathleen Sims

(74) *Attorney, Agent, or Firm*—Birch, Stewart, Kolasch & Birch, LLP.

(57) **CLAIM**

The ornamental design for a dishwasher detergent container, as shown.

DESCRIPTION

FIG. 1 is a front, right perspective view of the dishwasher detergent container showing our new design;

FIG. 2 is a front view thereof;

FIG. 3 is a rear view thereof;

FIG. 4 is a left side view thereof;

FIG. 5 is a right side view thereof;

FIG. 6 is a top plan view thereof; and,

FIG. 7 is a bottom plan view thereof.

1 Claim, 4 Drawing Sheets

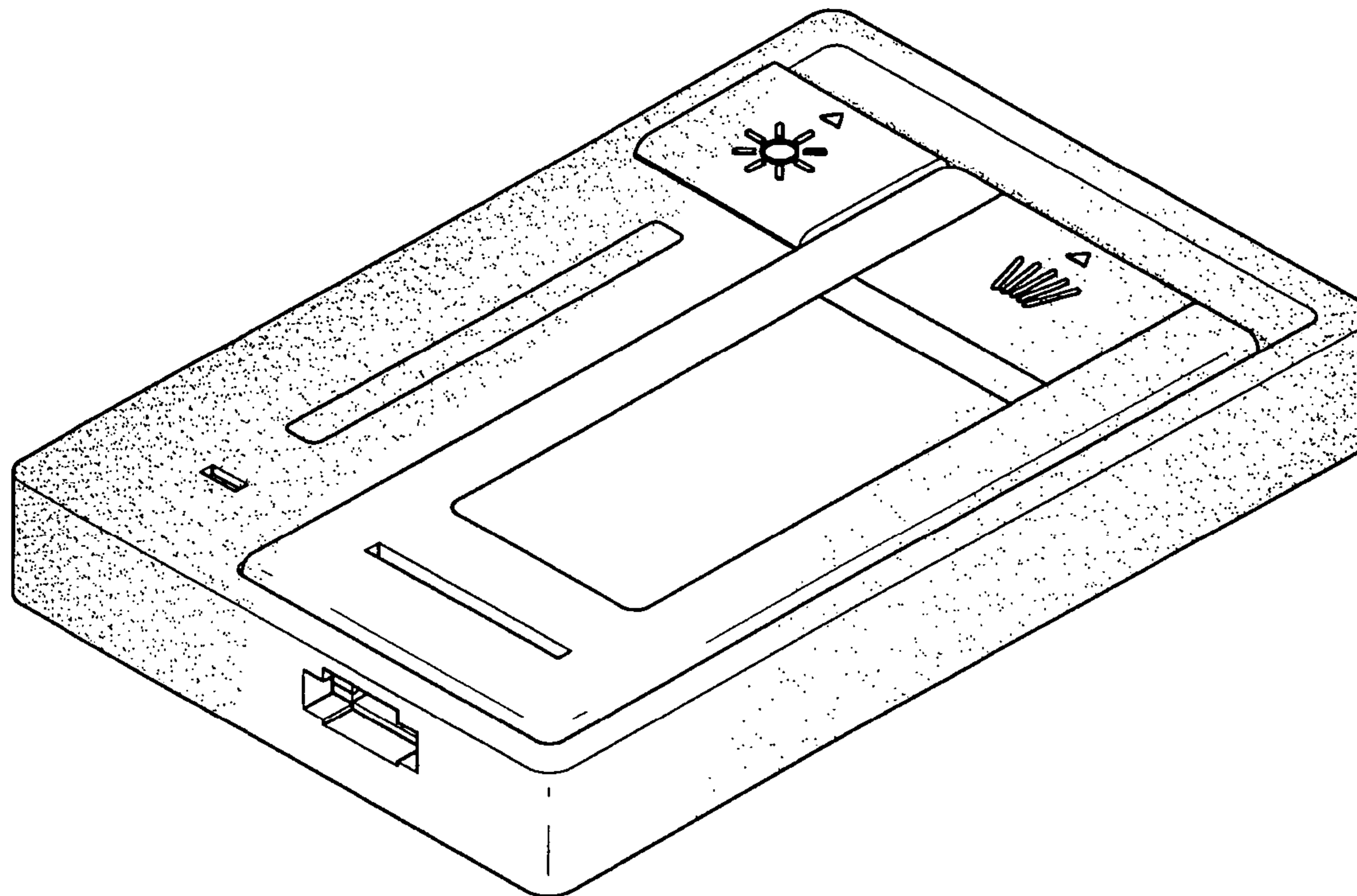


FIG. 1

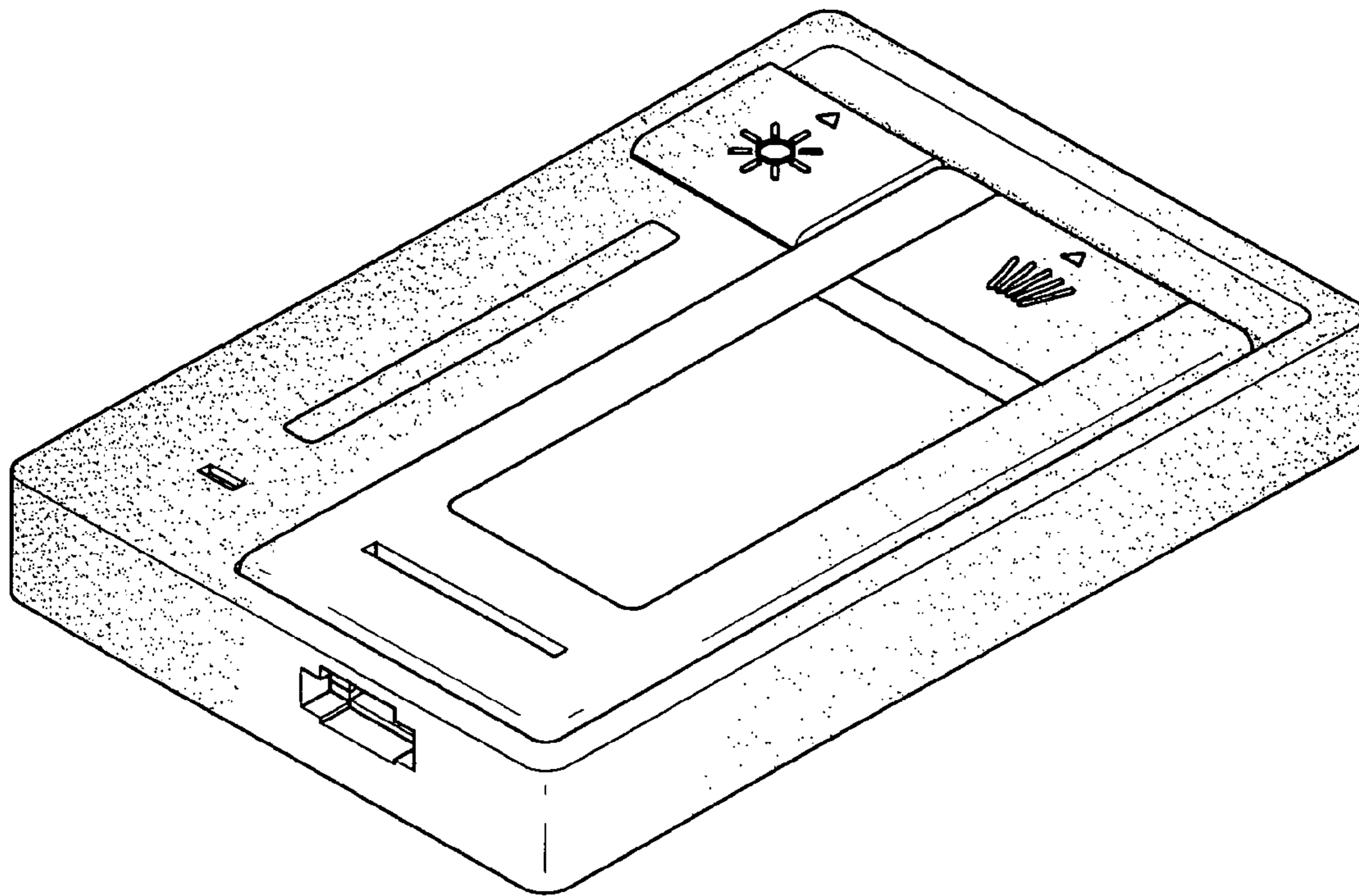


FIG. 2

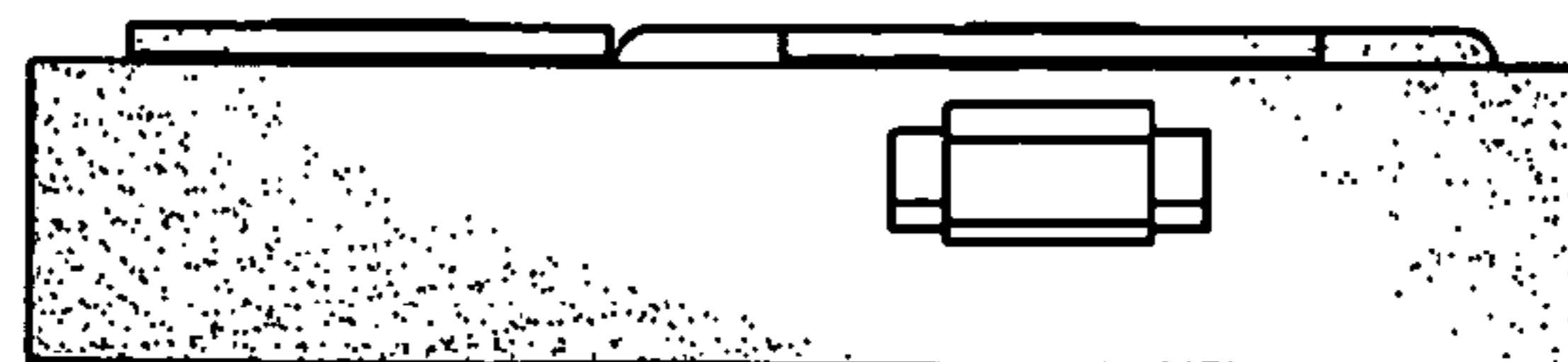


FIG. 3

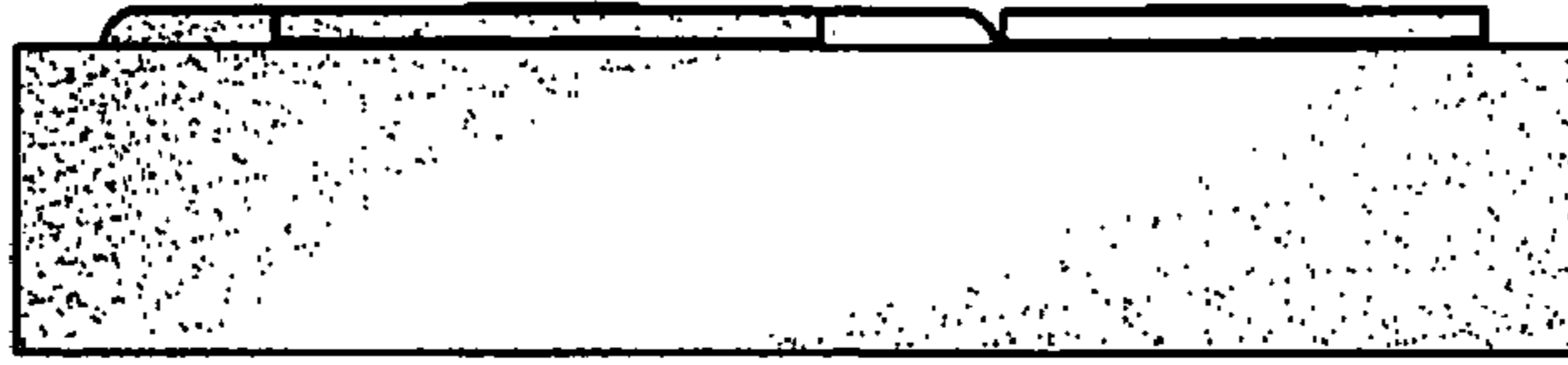


FIG. 4

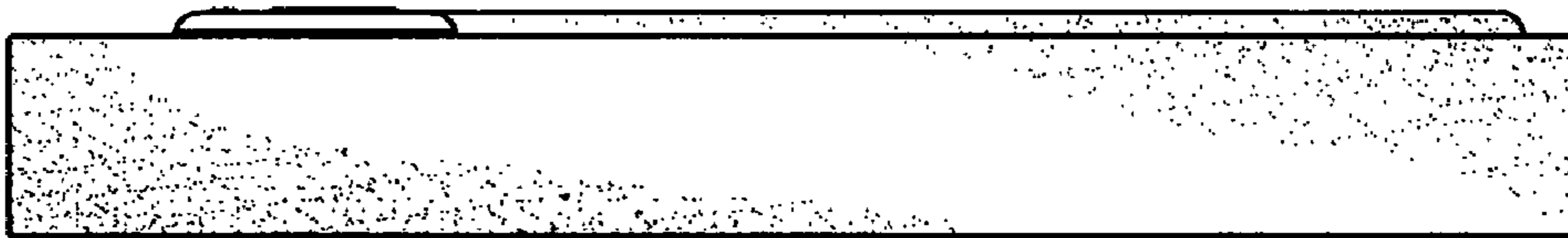


FIG. 5

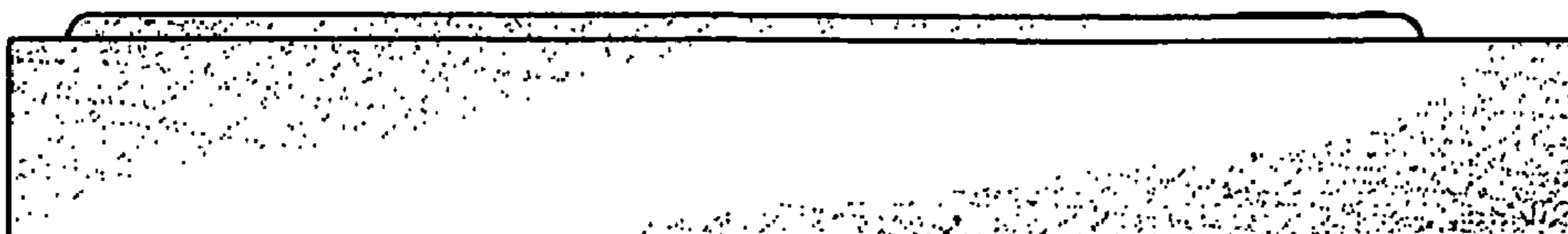


FIG. 6

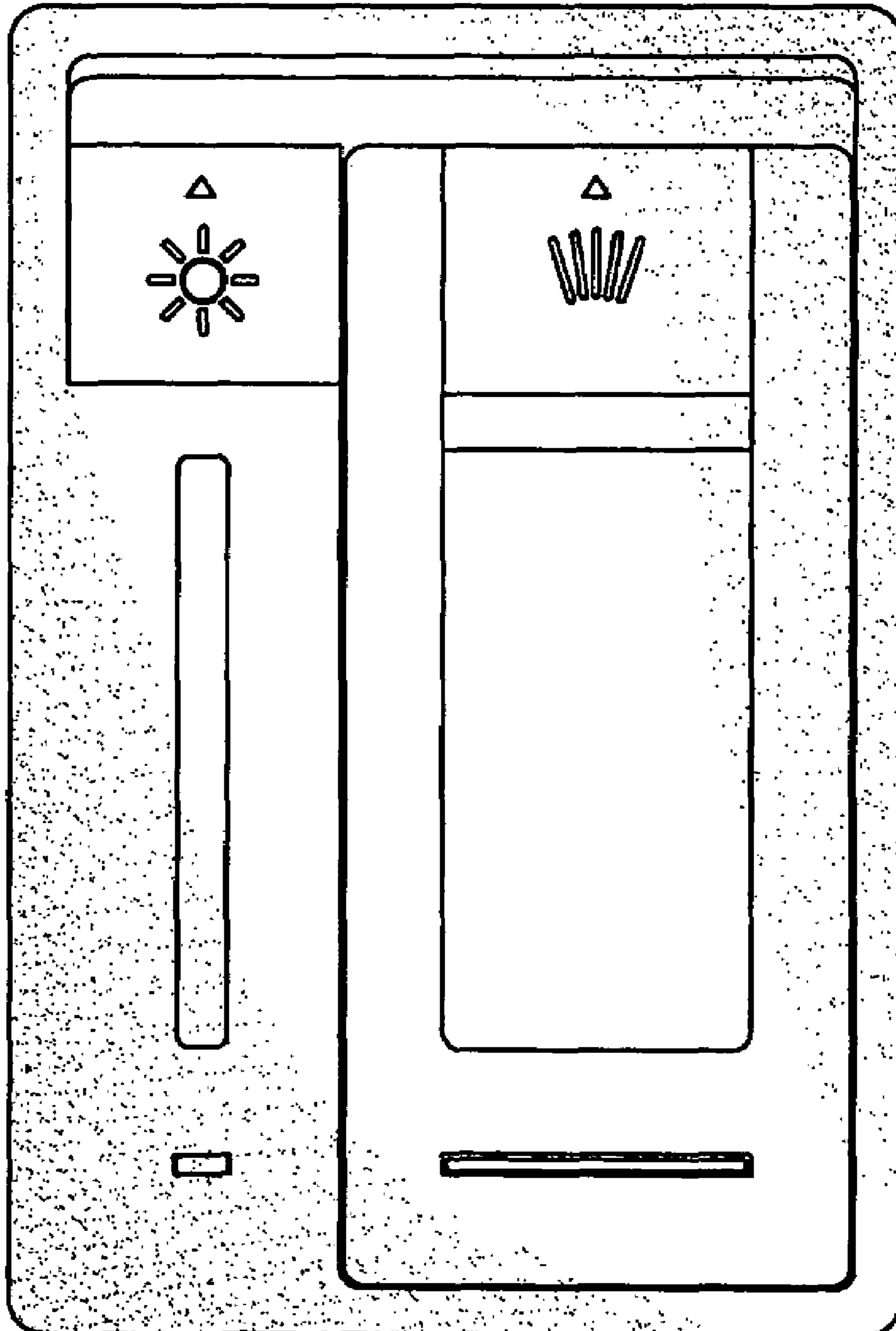


FIG. 7

