

US00D561412S

(12) **United States Design Patent**
Franzino

(10) **Patent No.:** **US D561,412 S**

(45) **Date of Patent:** **** *Feb. 5, 2008**

(54) **TUBE CLEANING MACHINE**

(75) Inventor: **Joseph J Franzino**, Redding, CT (US)

(73) Assignee: **Goodway Technologies Corporation**,
Stamford, CT (US)

(*) Notice: This patent is subject to a terminal disclaimer.

(**) Term: **14 Years**

(21) Appl. No.: **29/245,340**

(22) Filed: **Dec. 21, 2005**

(51) **LOC (8) Cl.** **15-05**

(52) **U.S. Cl.** **D32/1**

(58) **Field of Classification Search** D32/1,
D32/15, 16, 22; 15/320, 321; 417/234,
417/360, 410; 239/146, 147

See application file for complete search history.

(56) **References Cited**

U.S. PATENT DOCUMENTS

- D115,185 S * 6/1939 Clarkson D32/1
- 3,675,851 A * 7/1972 Merfeld et al. 239/318
- 4,224,072 A * 9/1980 Stewart 15/104.095
- D281,632 S * 12/1985 Yang D32/15

- 5,201,638 A * 4/1993 Bieri 417/234
- 5,443,211 A * 8/1995 Young et al. 239/146
- D408,952 S * 4/1999 Page D34/25
- 6,279,838 B1 * 8/2001 Sivells et al. 239/146
- D489,495 S * 5/2004 Franzino D32/1
- D518,607 S * 4/2006 Franzino D32/1
- 7,055,203 B1 * 6/2006 Franzino 15/104.095

* cited by examiner

Primary Examiner—Stella M. Reid

Assistant Examiner—Kathleen Sims

(74) *Attorney, Agent, or Firm*—Patrick J. Walsh

(57) **CLAIM**

I claim the ornamental design for tube cleaning machine, as shown and described.

DESCRIPTION

FIG. 1 is a front elevation view of a tube cleaning machine, showing my new design;

FIG. 2 is a rear elevation view thereof;

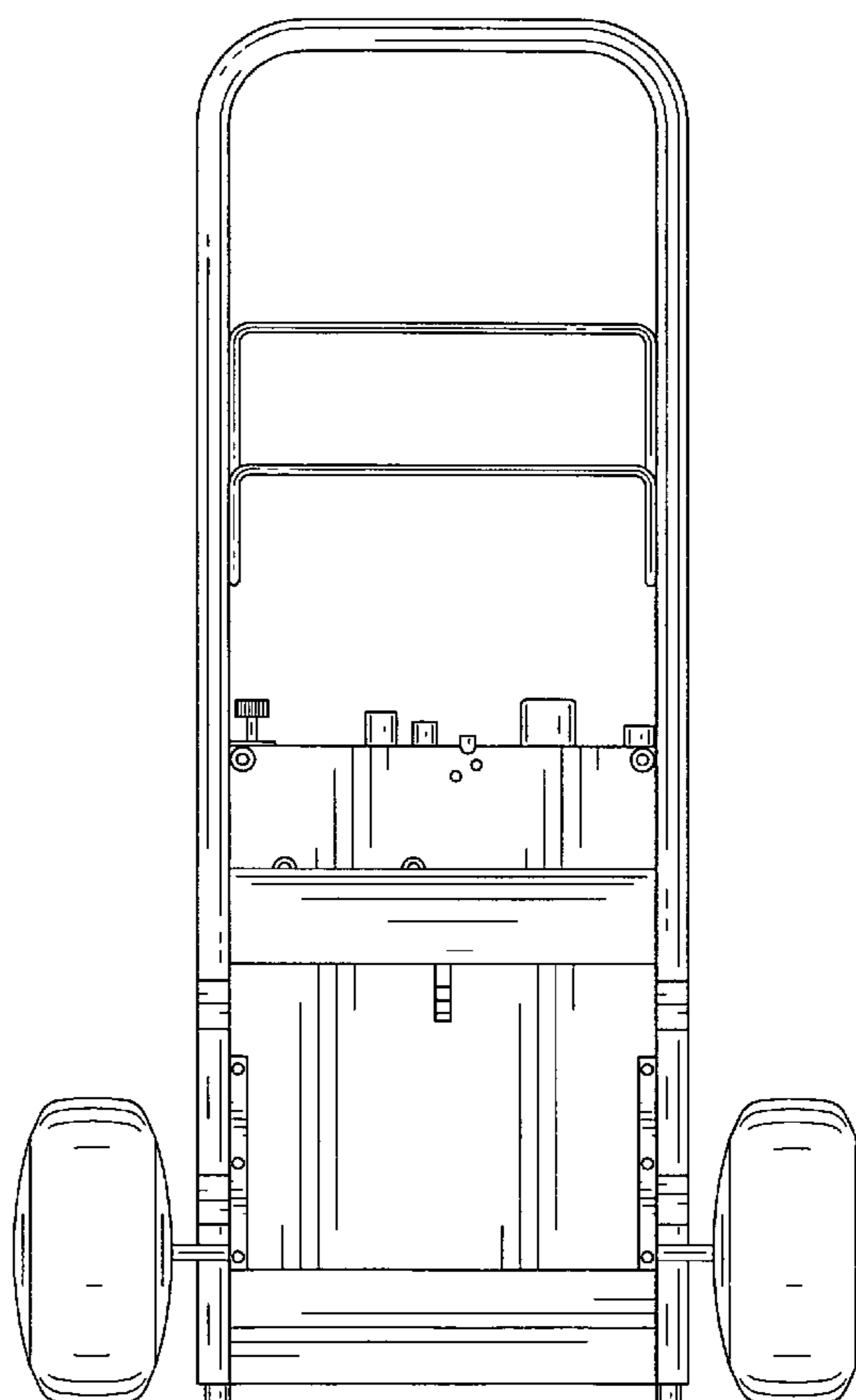
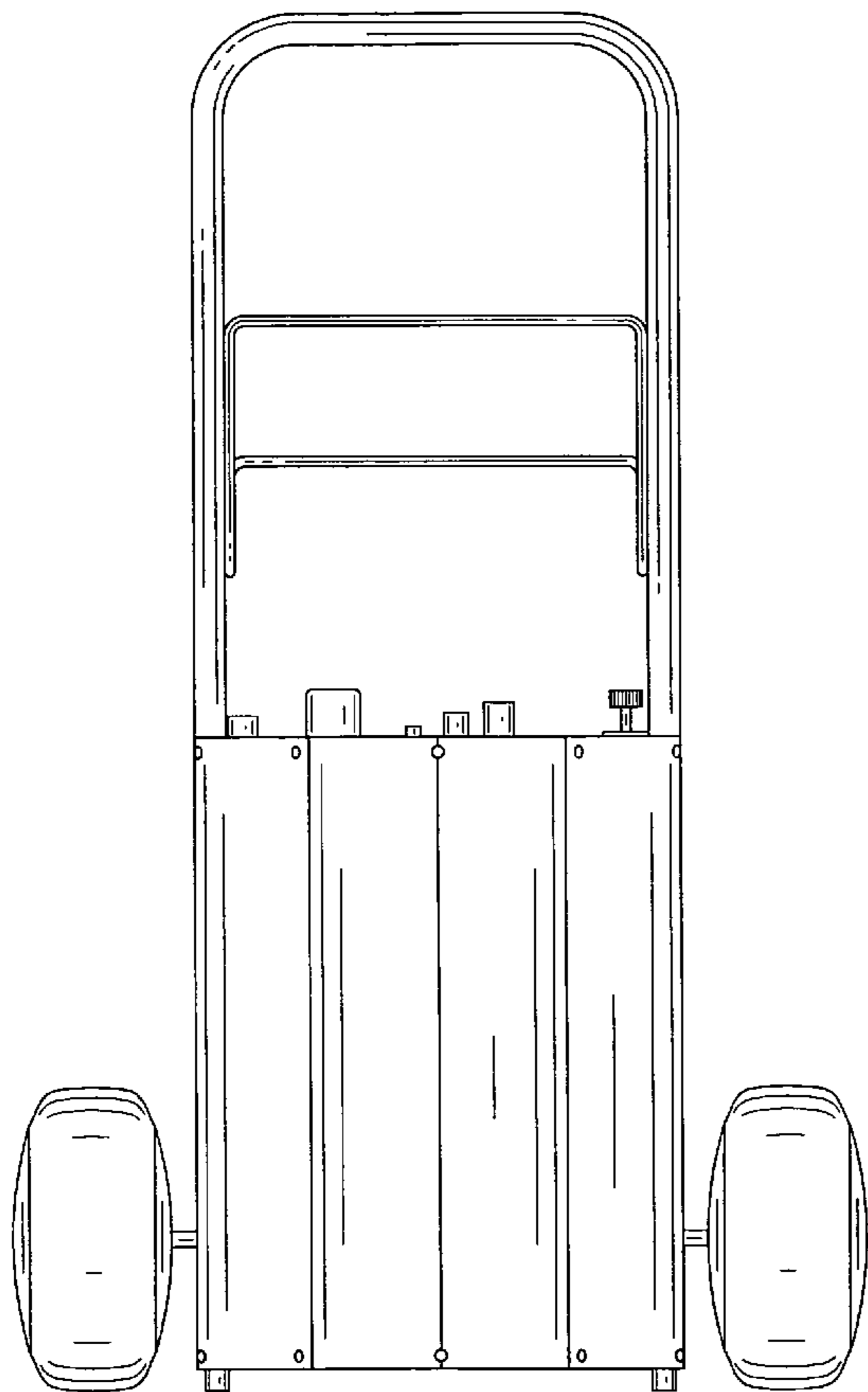
FIG. 3 is a right side elevation view thereof;

FIG. 4 is a left side elevation view thereof;

FIG. 5 is a top view thereof; and,

FIG. 6 is a bottom view thereof.

1 Claim, 4 Drawing Sheets



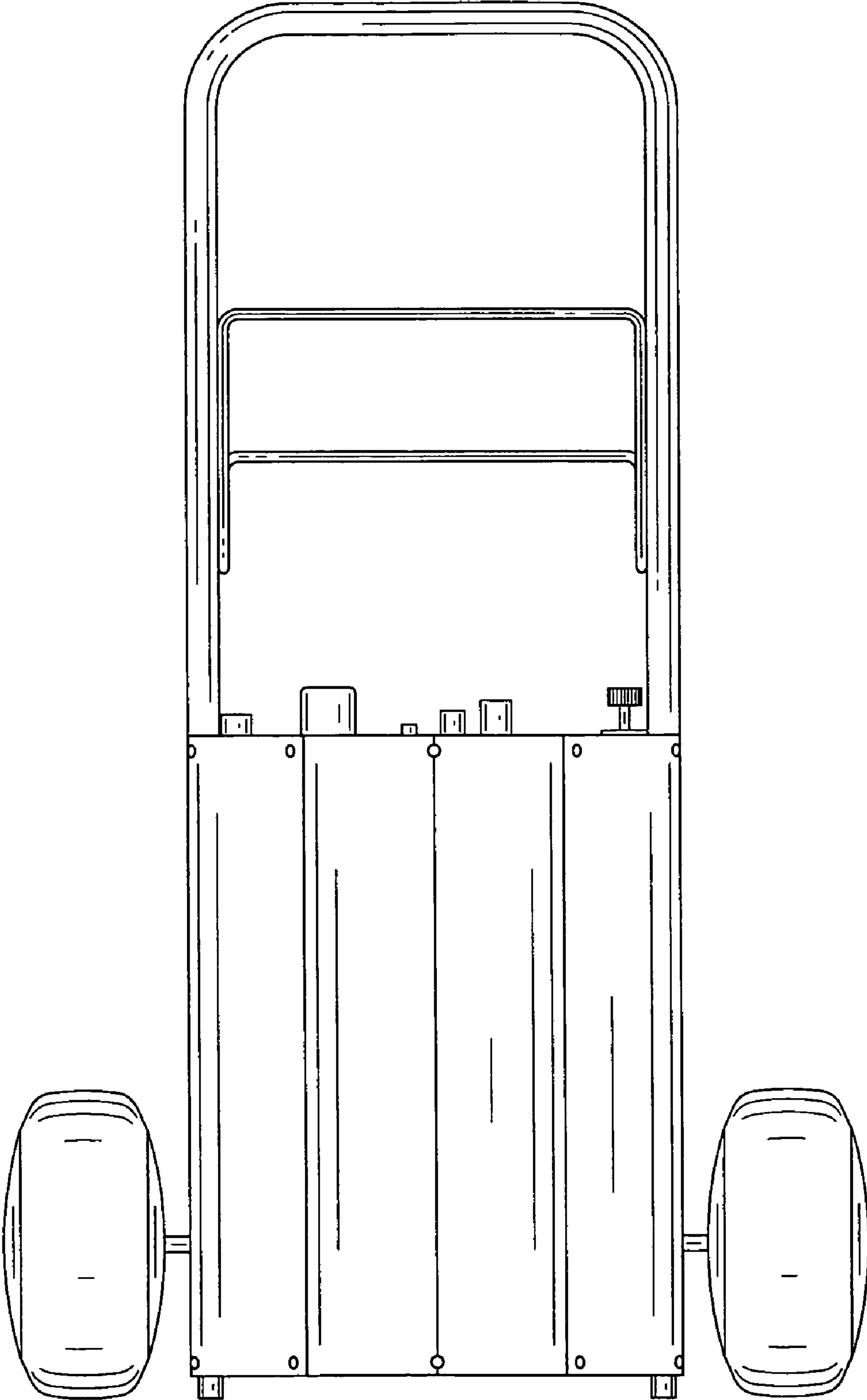


FIG. 1

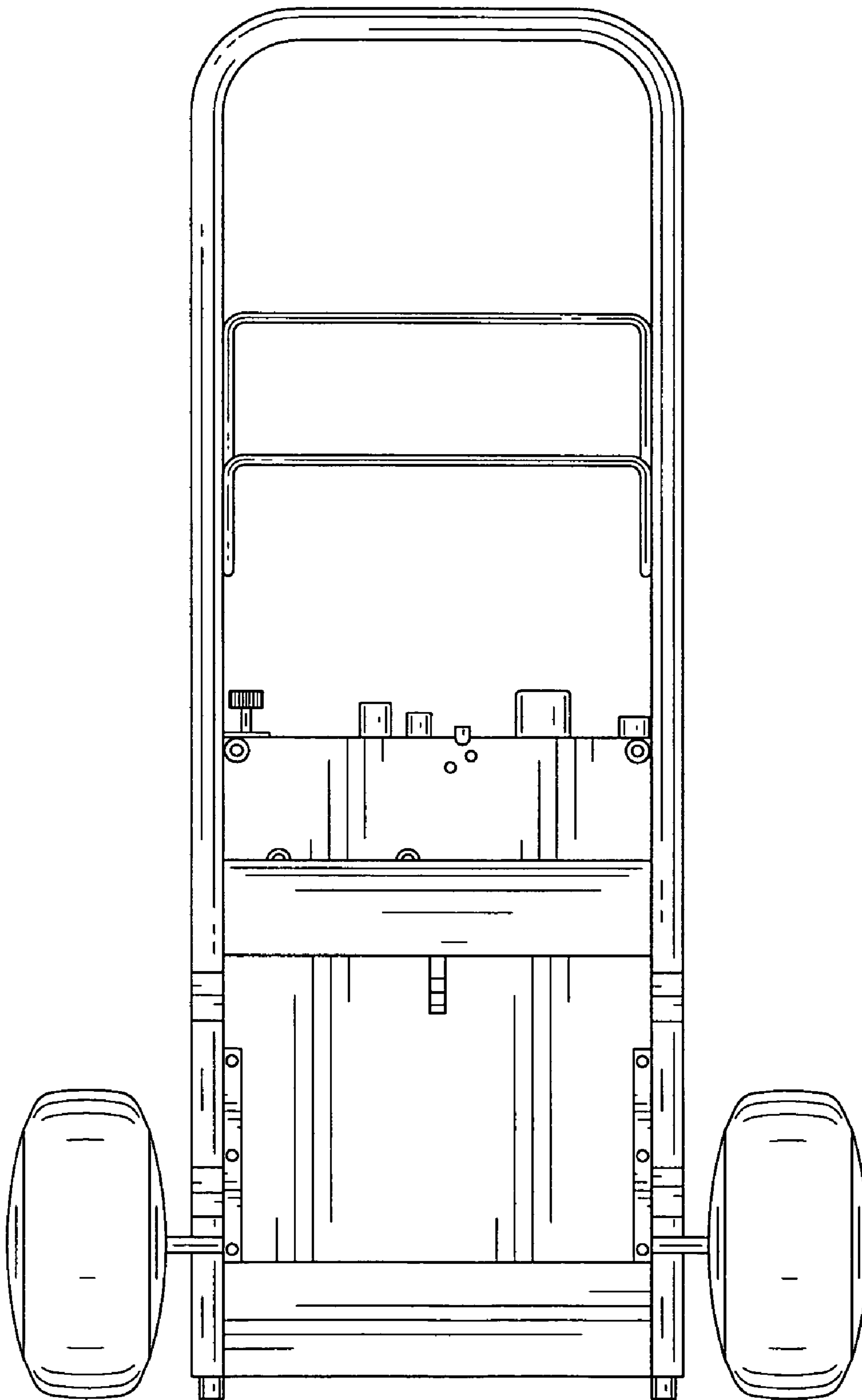


FIG. 2

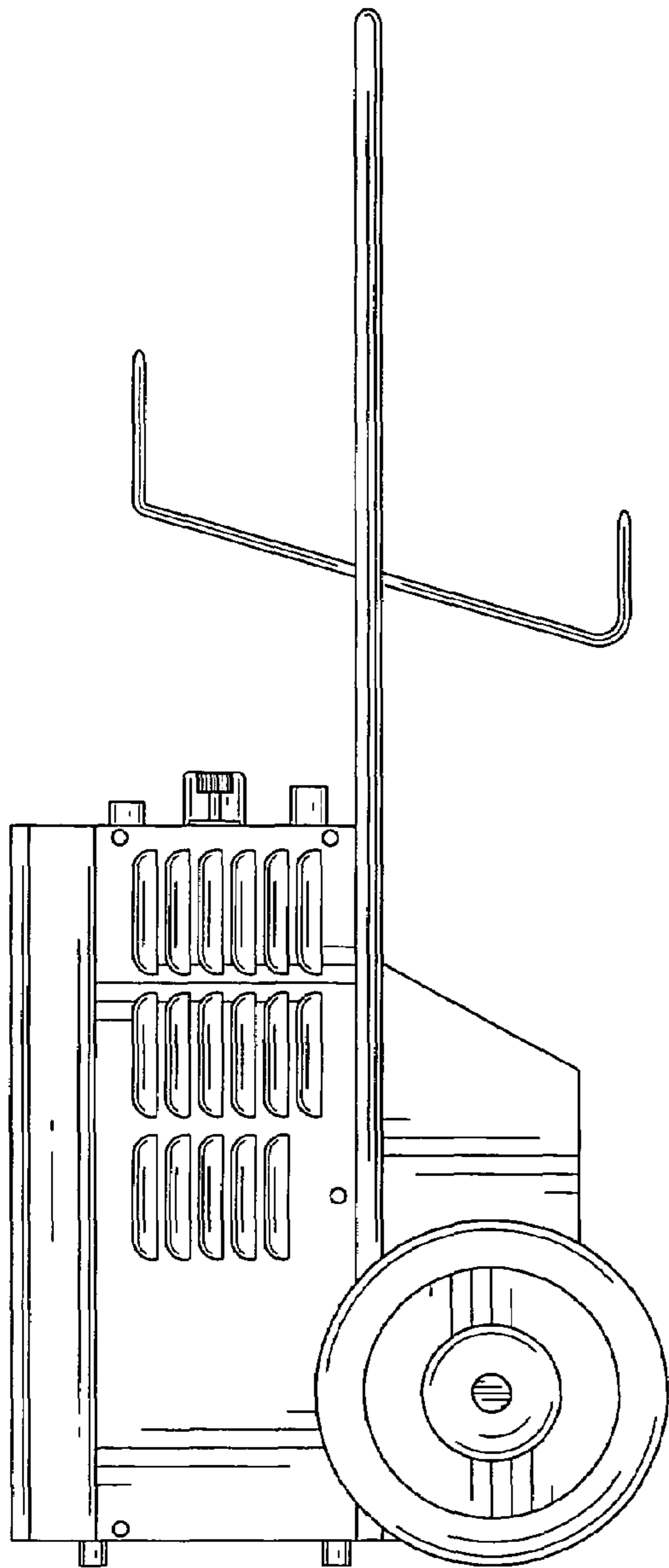


FIG. 3

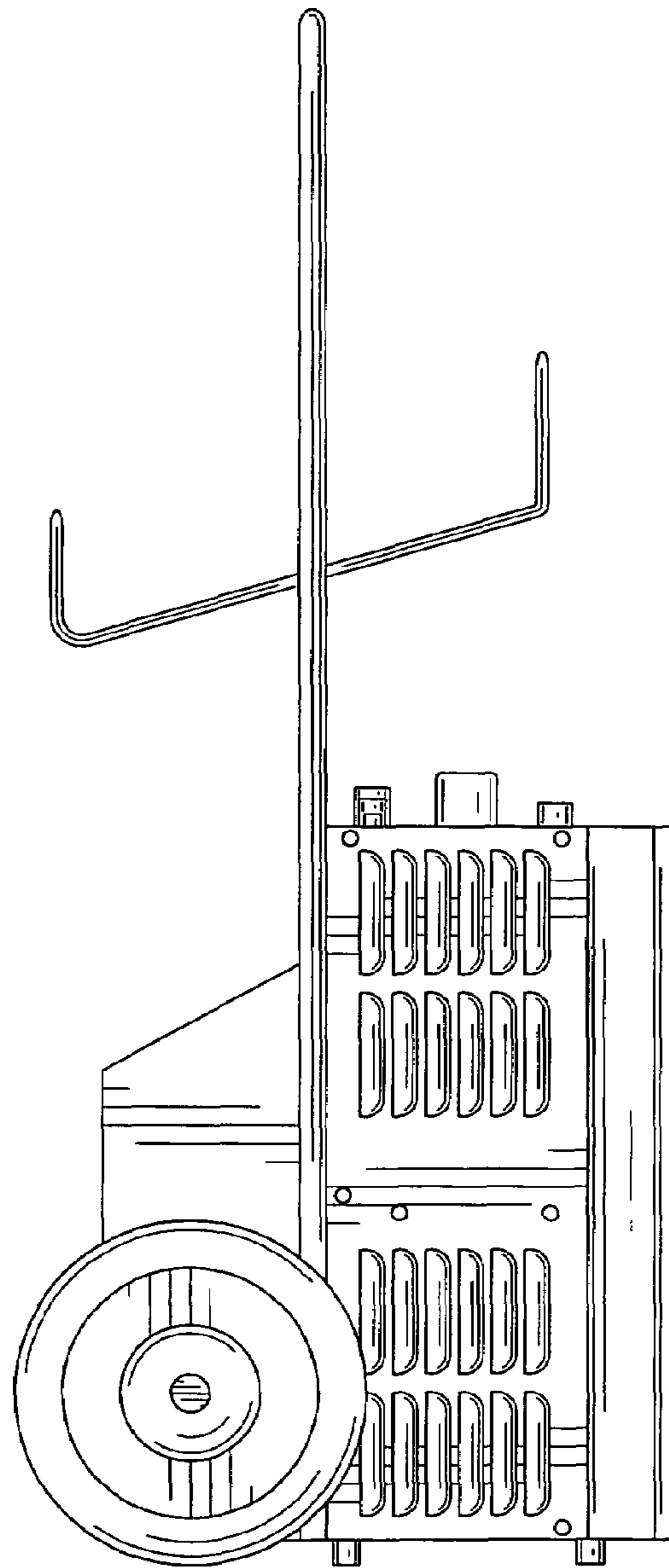


FIG. 4

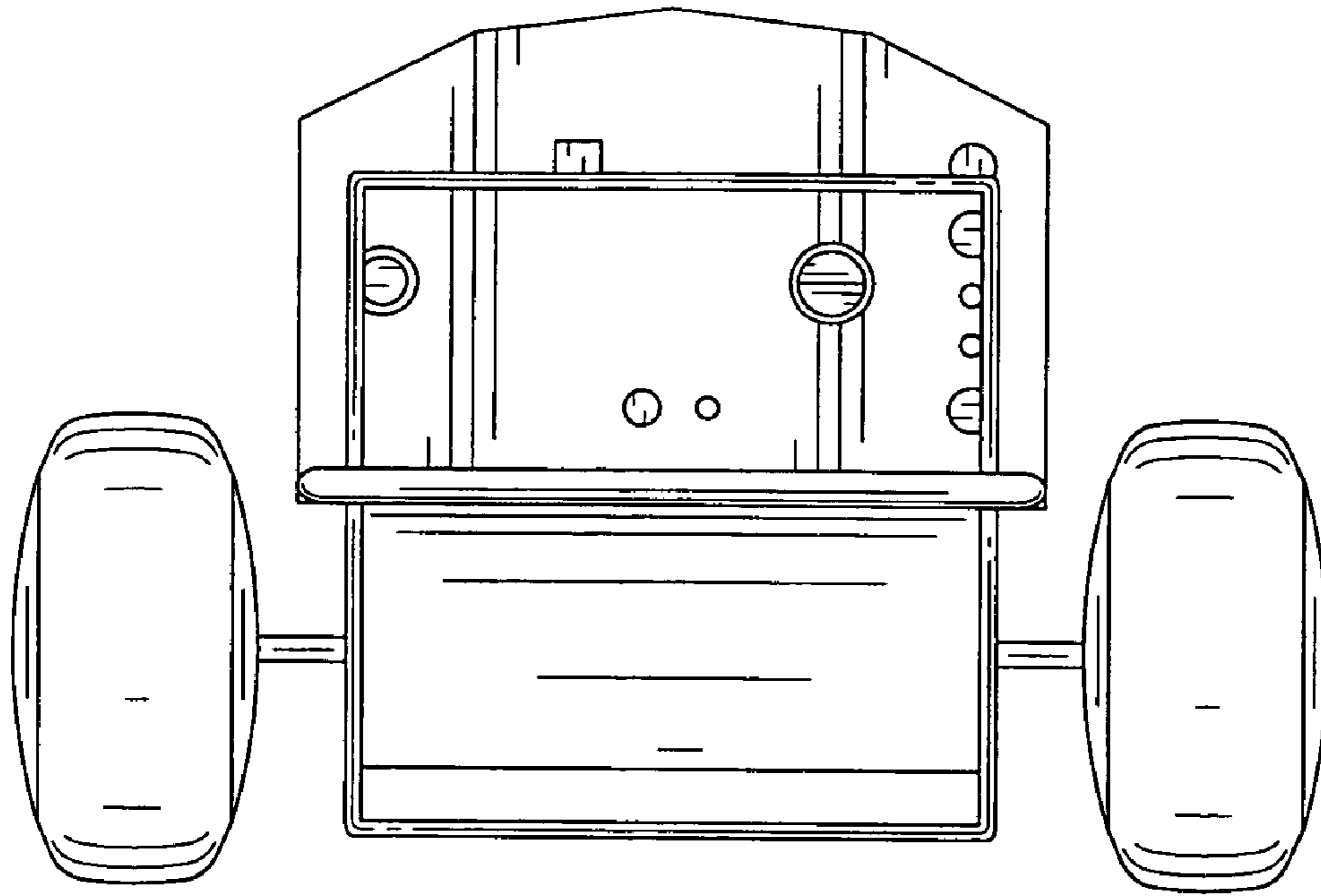


FIG. 5

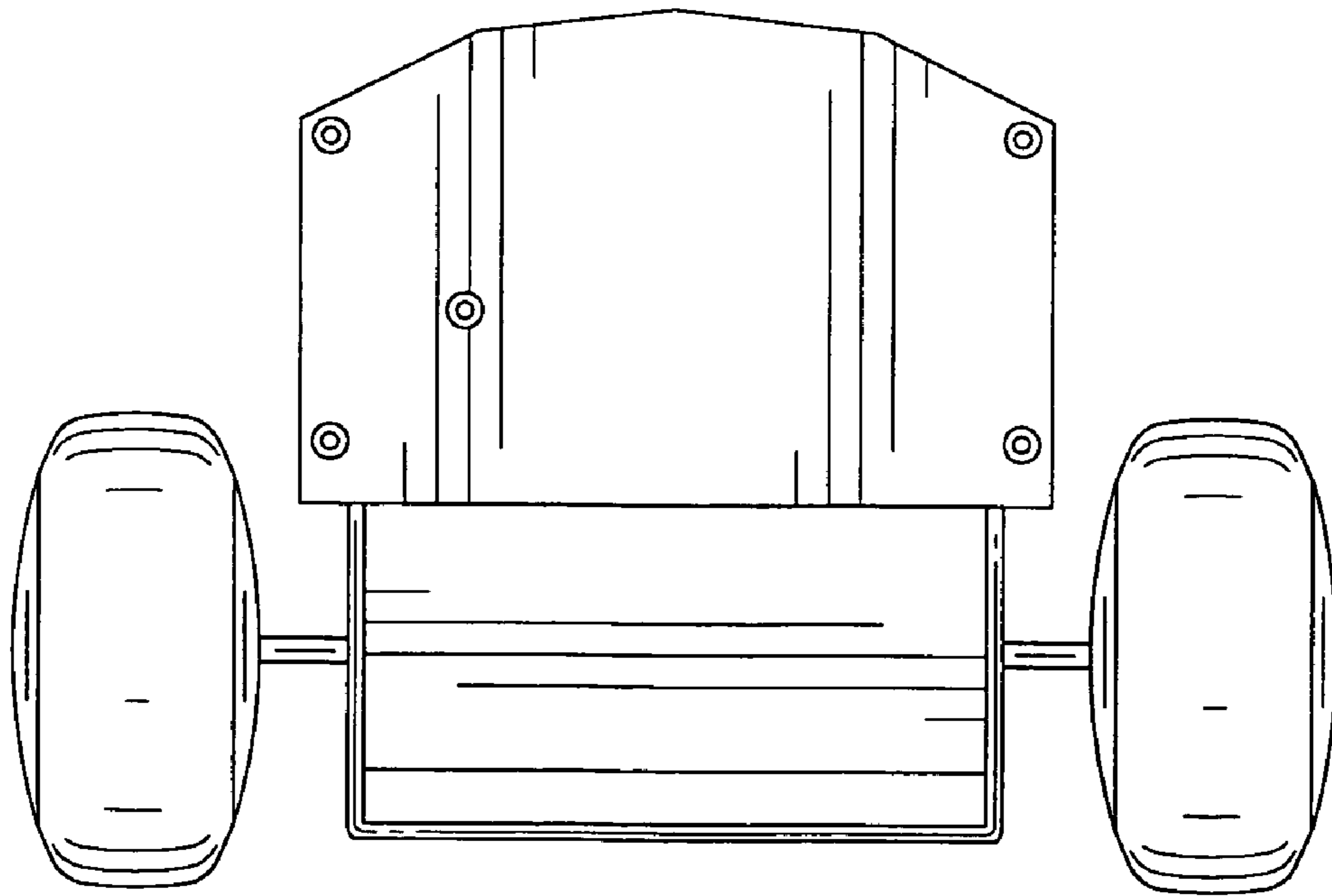


FIG. 6