



US00D561410S

(12) **United States Design Patent**  
**Katz**

(10) **Patent No.:** **US D561,410 S**  
(45) **Date of Patent:** **\*\* Feb. 5, 2008**

(54) **H STYLE HARNESS DOGGIE VEST**

(57) **CLAIM**

(76) **Inventor:** **Bette J. Katz**, 27766 Saddle Trail,  
Toney, AL (US) 35773

I claim the ornamental design for an H style harness doggie vest, as shown and described.

(\*\*) **Term:** **14 Years**

**DESCRIPTION**

(21) **Appl. No.:** **29/262,684**

(22) **Filed:** **Jul. 7, 2006**

(51) **LOC (8) Cl.** ..... **30-01**

(52) **U.S. Cl.** ..... **D30/145**

(58) **Field of Classification Search** ..... D30/144-145,  
D30/109, 199; 119/850, 854, 855, 907, 725,  
119/726, 712, 814, 816-819, 497; D3/213-217  
See application file for complete search history.

FIG. 1 is a front view of the H style harness doggie vest.  
FIG. 2 is a top view of the H style harness doggie vest.  
FIG. 3 is a left side view of the H style harness doggie vest.  
FIG. 4 is a bottom view of the H style harness doggie vest.  
FIG. 5 is a back view of the H style harness doggie vest.  
FIG. 6 is a left side perspective view of the H style harness doggie vest.  
FIG. 7 is a right side view of the H style harness doggie vest.  
FIG. 8 is a reduced top perspective view of the H style harness doggie vest shown in use on a dog.  
FIG. 9 is a reduced bottom perspective view of the H style harness doggie vest shown in use on a dog.  
FIG. 10 is a reduced top view of the H style harness doggie vest shown unfolded; and,  
FIG. 11 is a reduced bottom view of the H style harness doggie vest shown unfolded.  
The broken line showing of a dog in FIGS. 8 and 9 is for illustrative purposes only and forms no part of the claimed design.  
The broken lines on the H style harness doggie vest throughout FIGS. 1-11 represent stitching and are part of the claimed design.

(56) **References Cited**

**U.S. PATENT DOCUMENTS**

2,085,425	A *	6/1937	Goodwin	.....	2/406
3,742,679	A *	7/1973	Jordan	.....	54/79.1
D290,178	S *	6/1987	Nissen	.....	D30/109
D352,370	S *	11/1994	Shover	.....	D30/145
D352,577	S *	11/1994	Shover	.....	D30/145
5,632,235	A *	5/1997	Larsen et al.	.....	119/856
D387,510	S *	12/1997	Way	.....	D30/144
D404,852	S *	1/1999	Powell-Lesnick	.....	D30/145
6,070,557	A *	6/2000	Hibbert	.....	119/850
6,119,635	A *	9/2000	Powell-Lesnick	.....	119/850

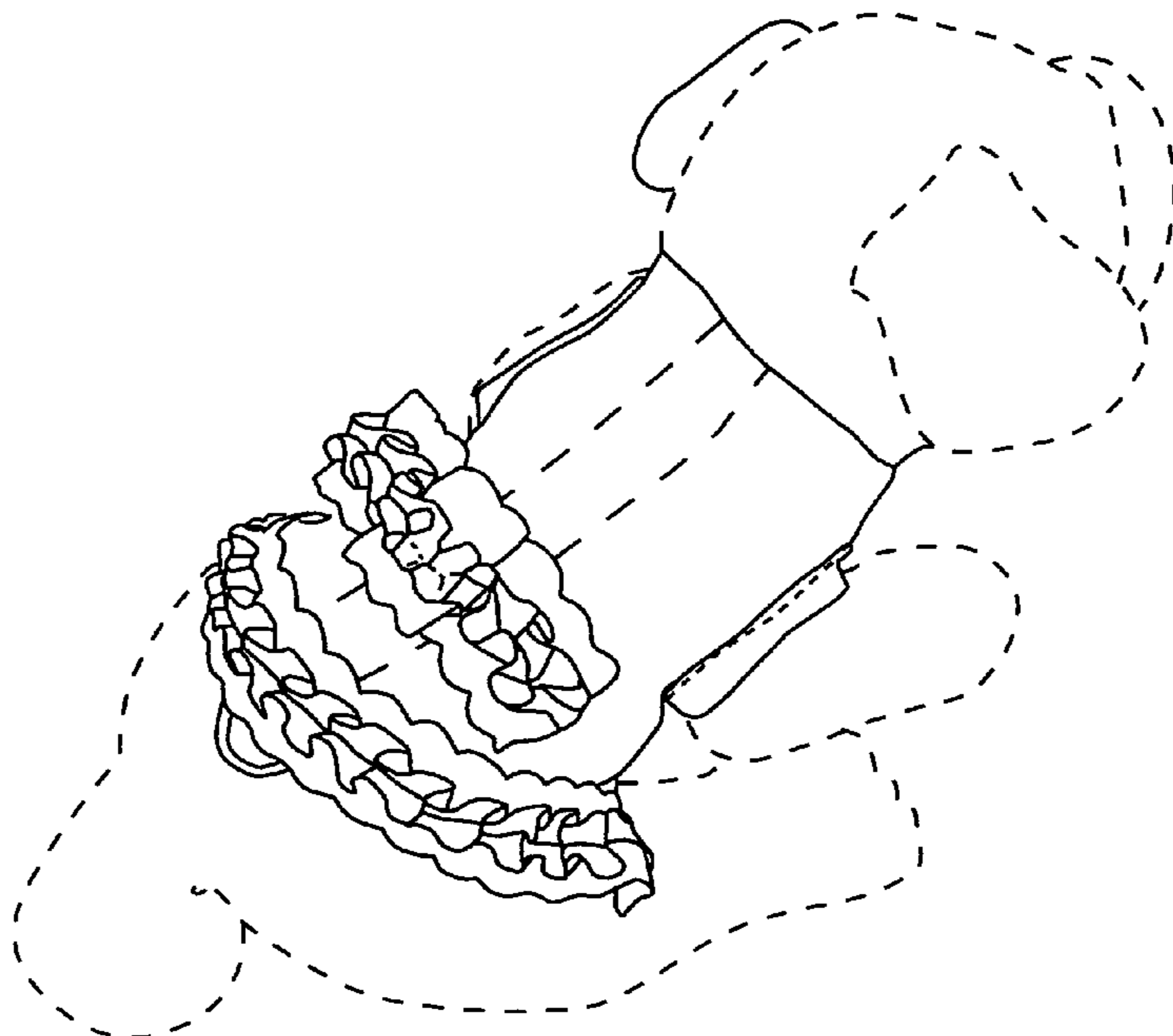
\* cited by examiner

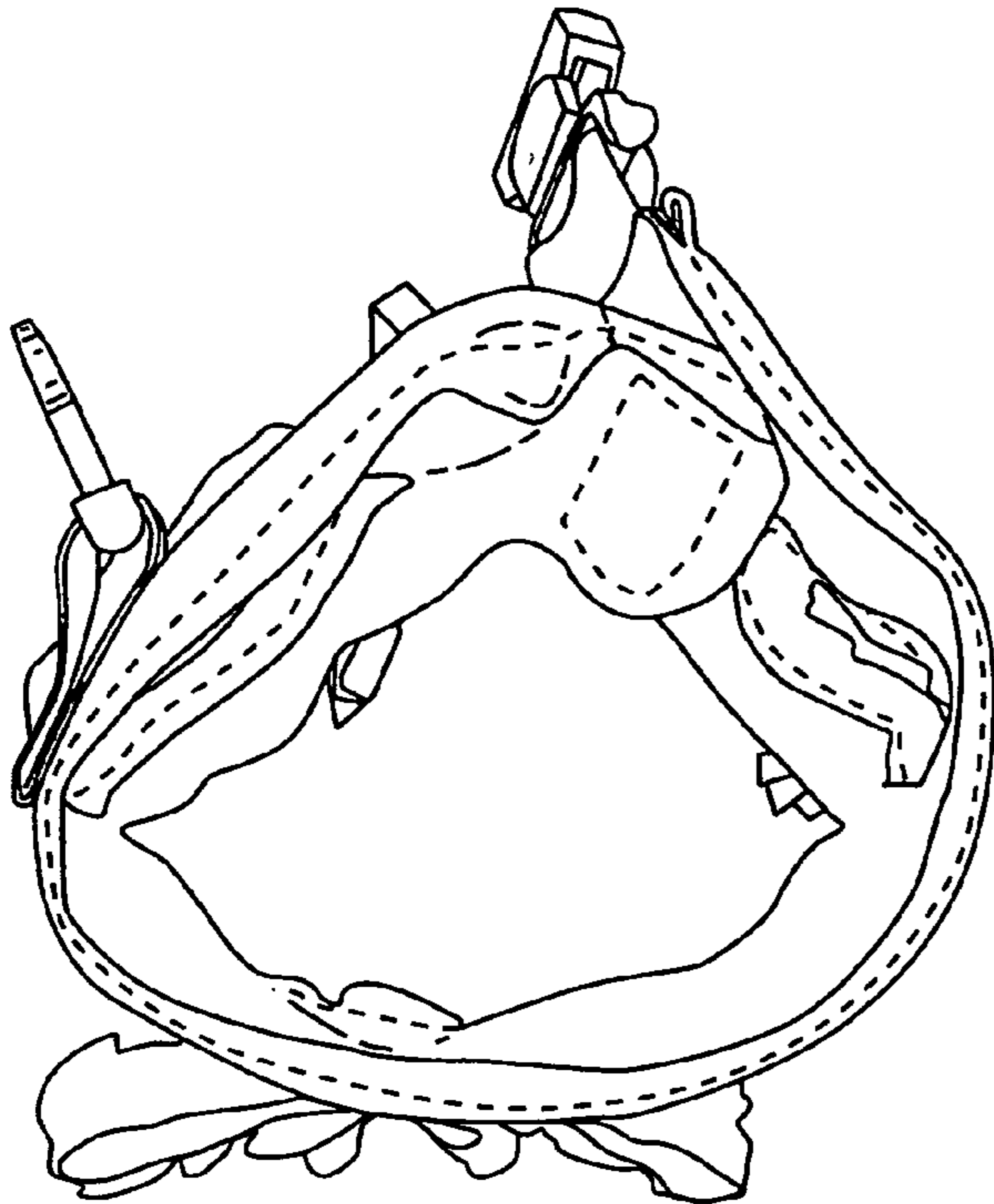
*Primary Examiner*—Melanie Tung

*Assistant Examiner*—Susan Moon Lee

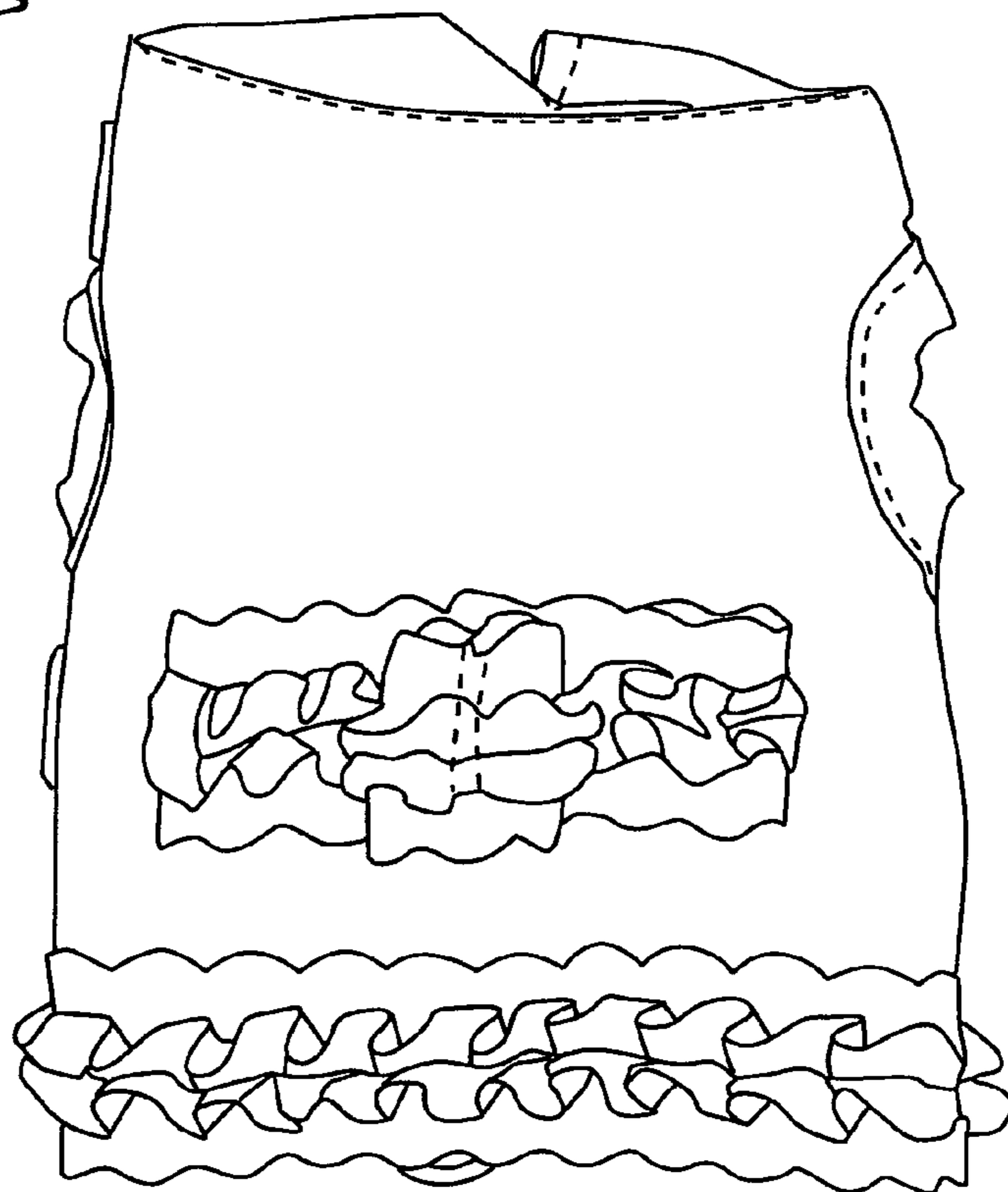
(74) *Attorney, Agent, or Firm*—Lanier Ford Shaver & Payne  
P.C.; J. Mark Bledsoe

**1 Claim, 6 Drawing Sheets**

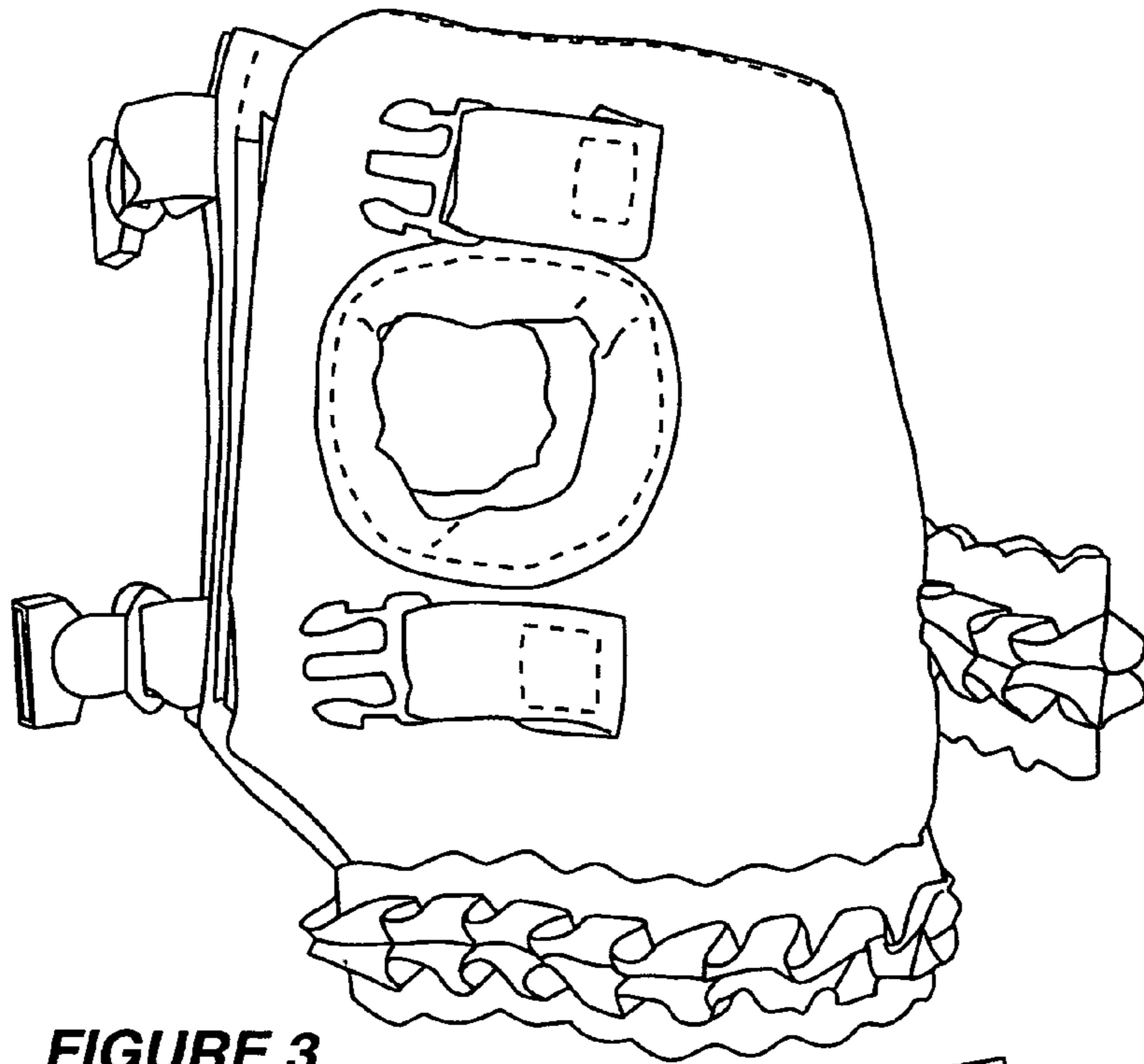




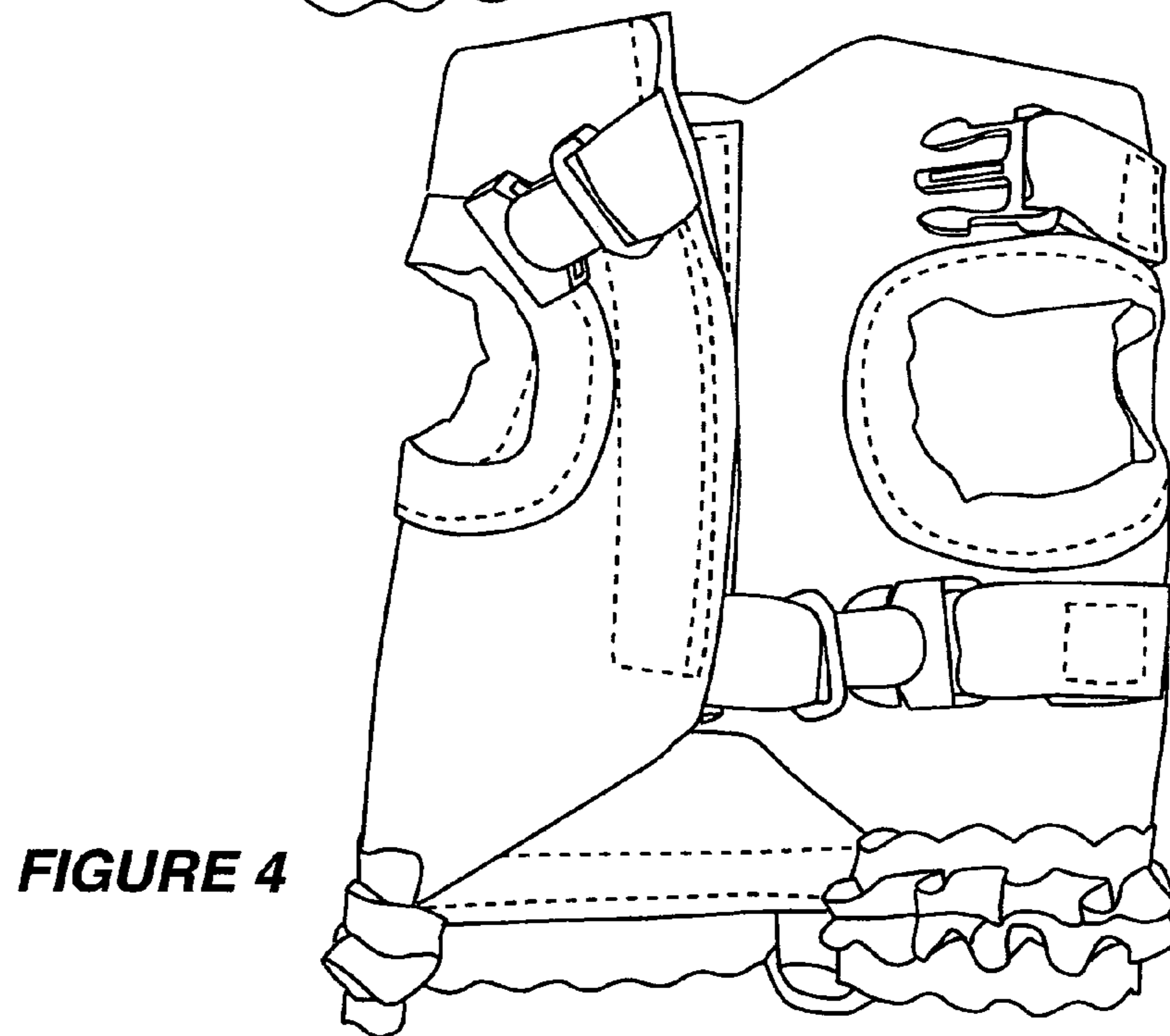
**FIGURE 1**



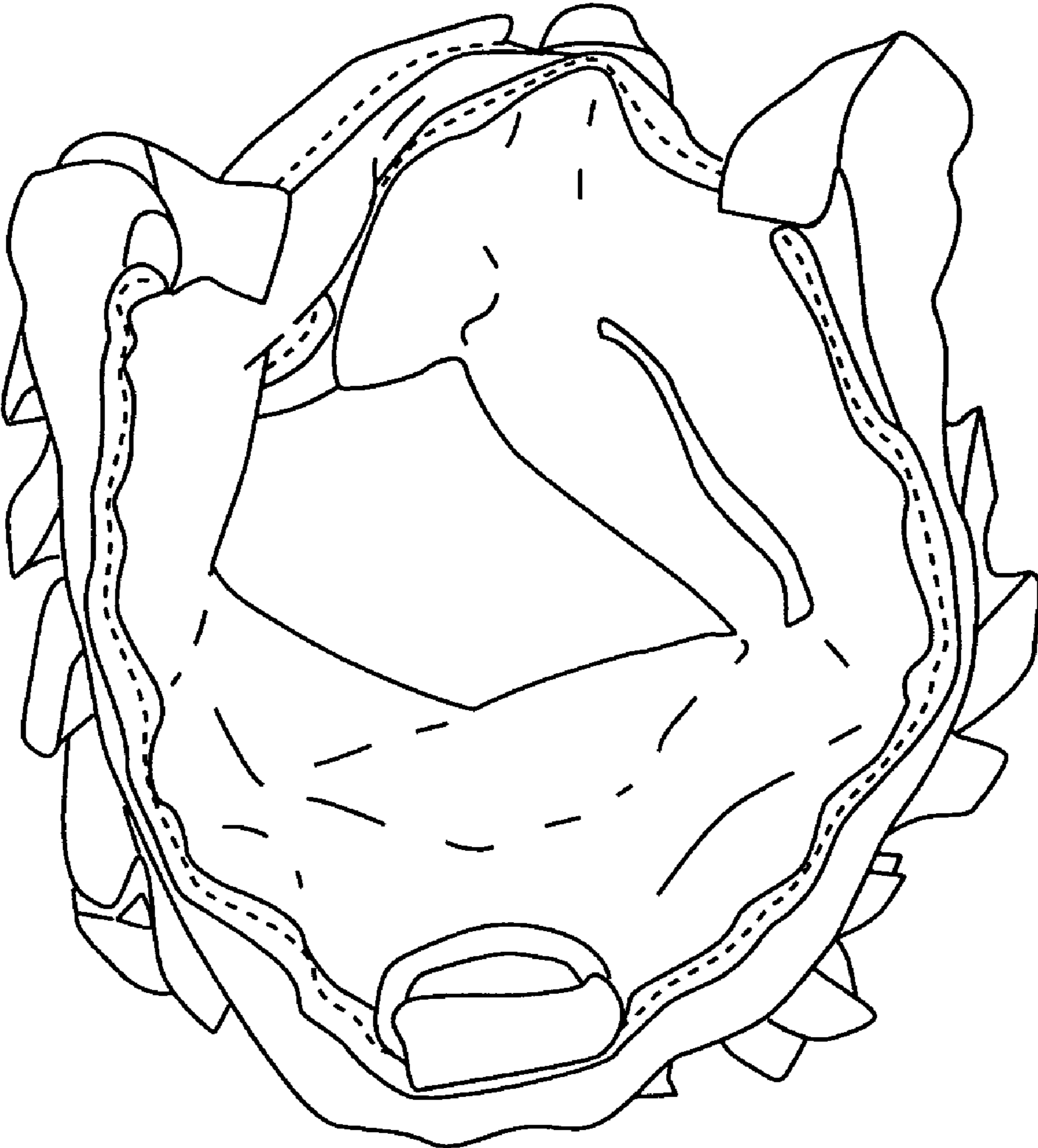
**FIGURE 2**



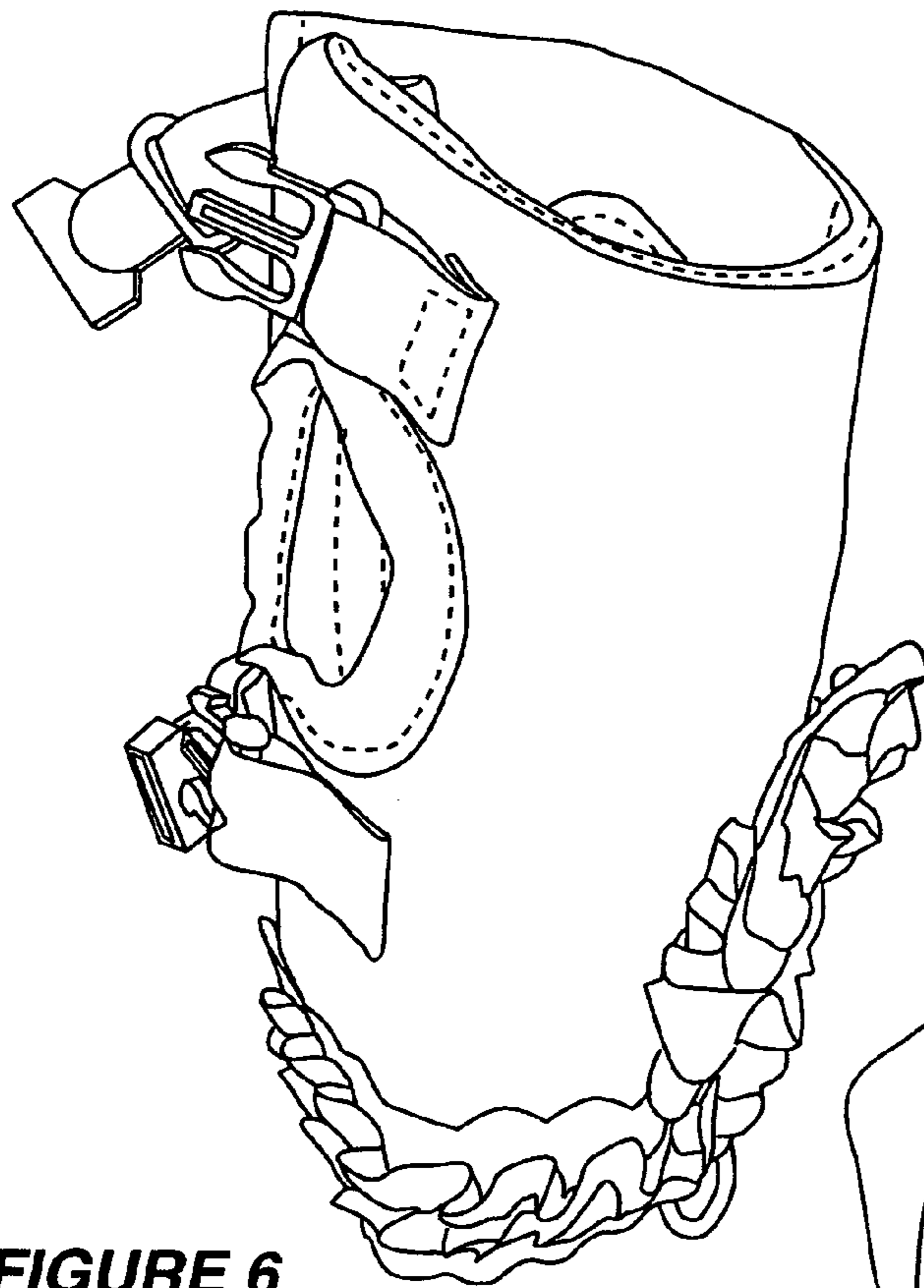
**FIGURE 3**



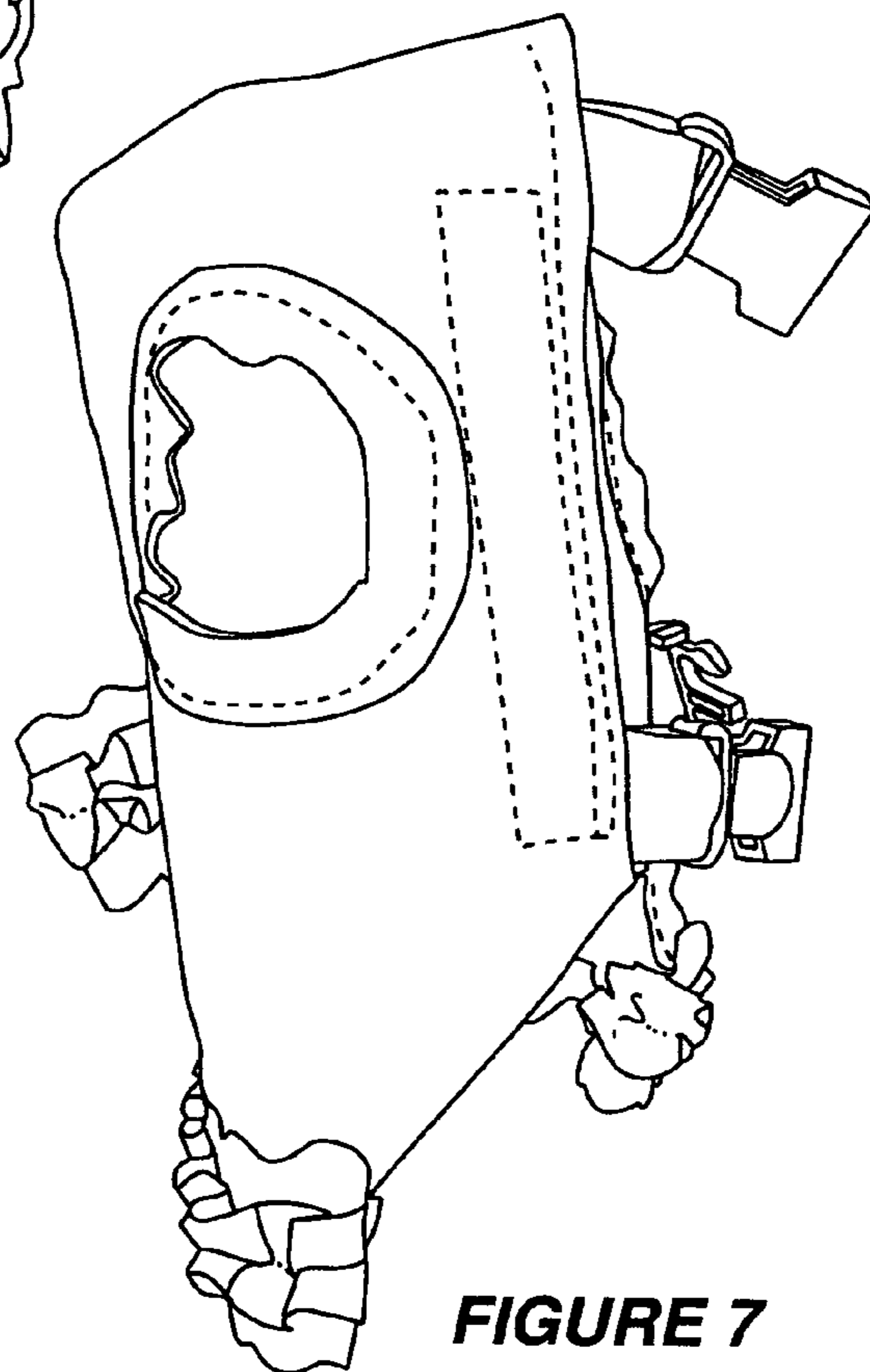
**FIGURE 4**



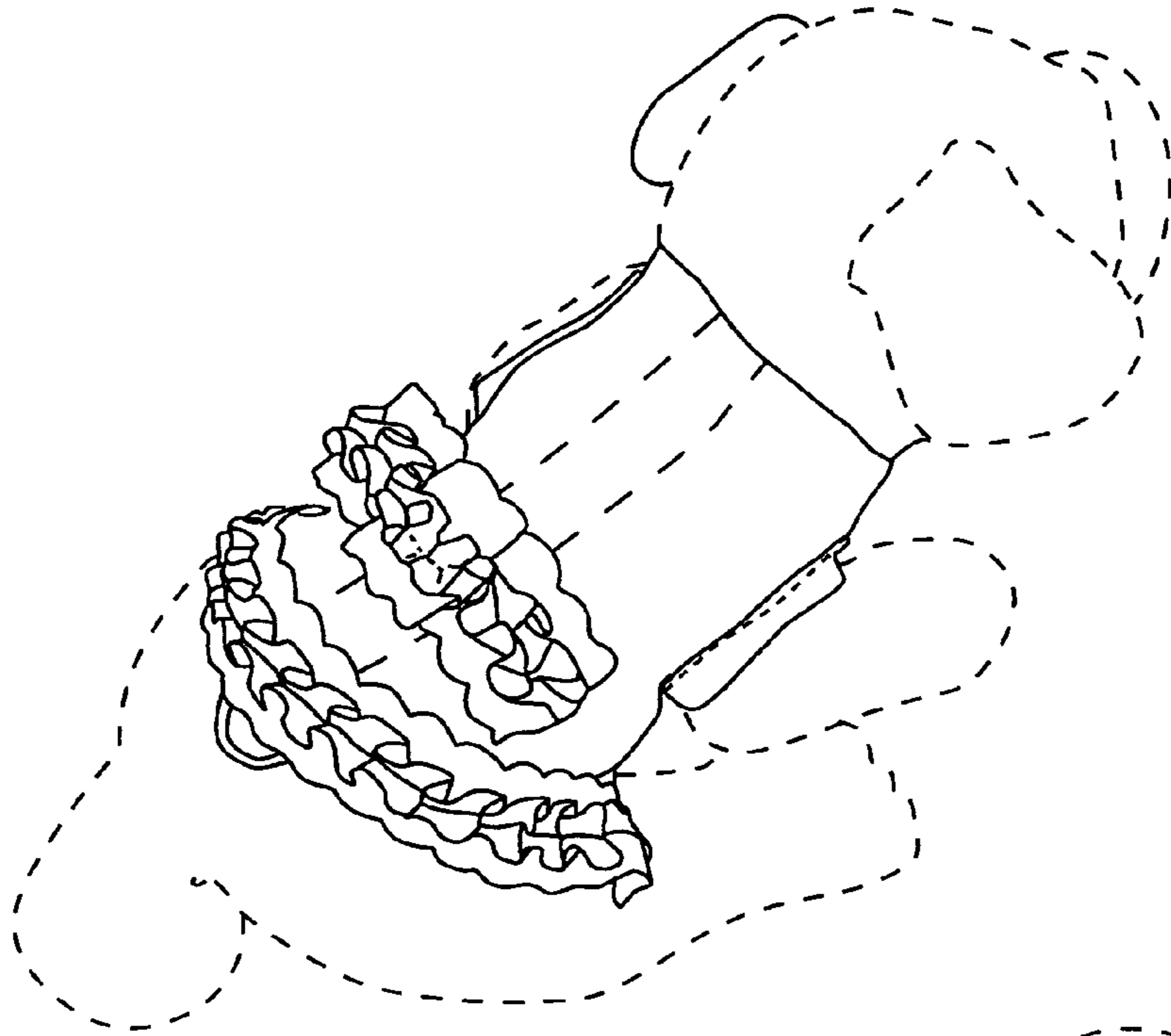
**FIGURE 5**



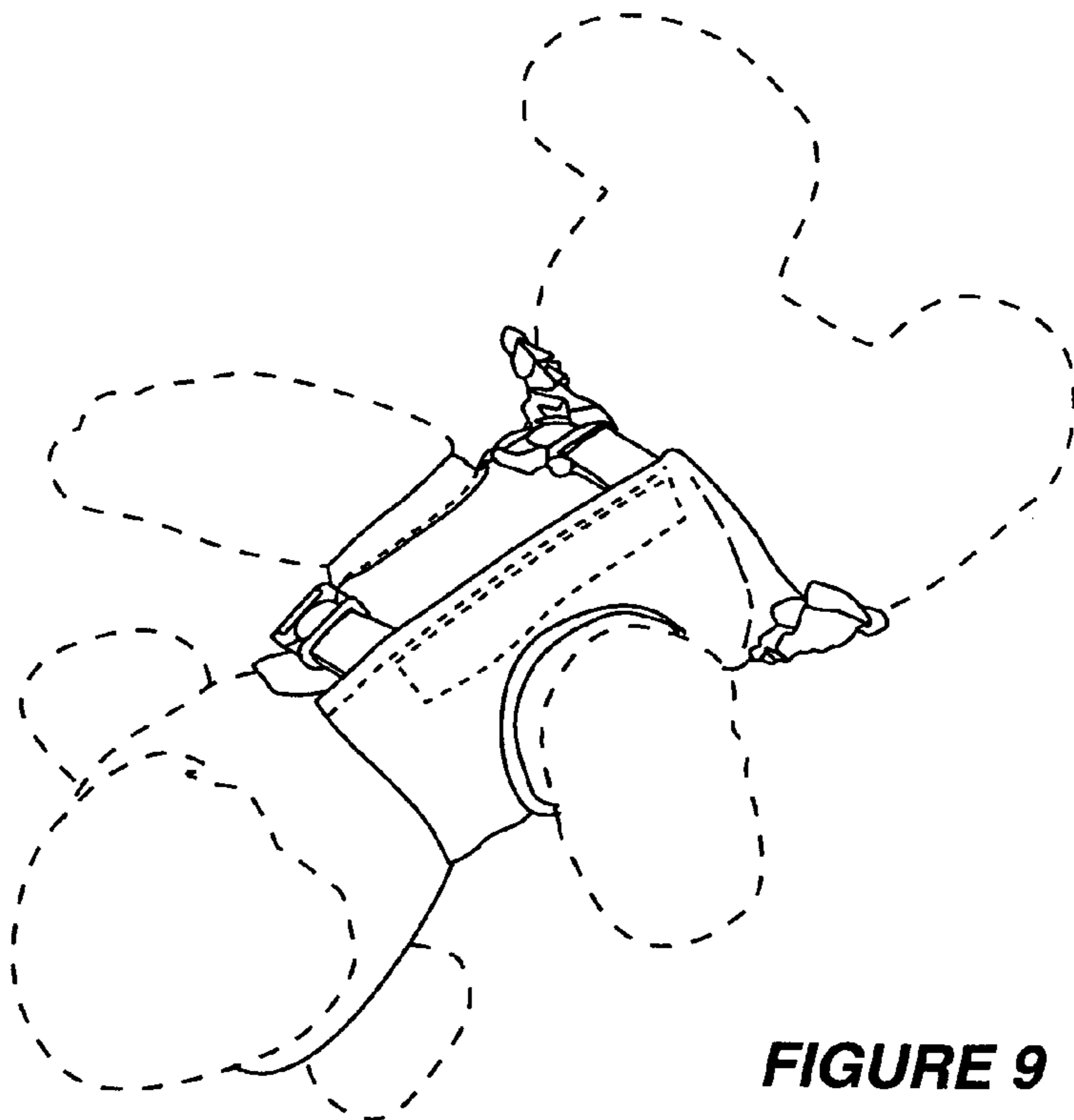
**FIGURE 6**



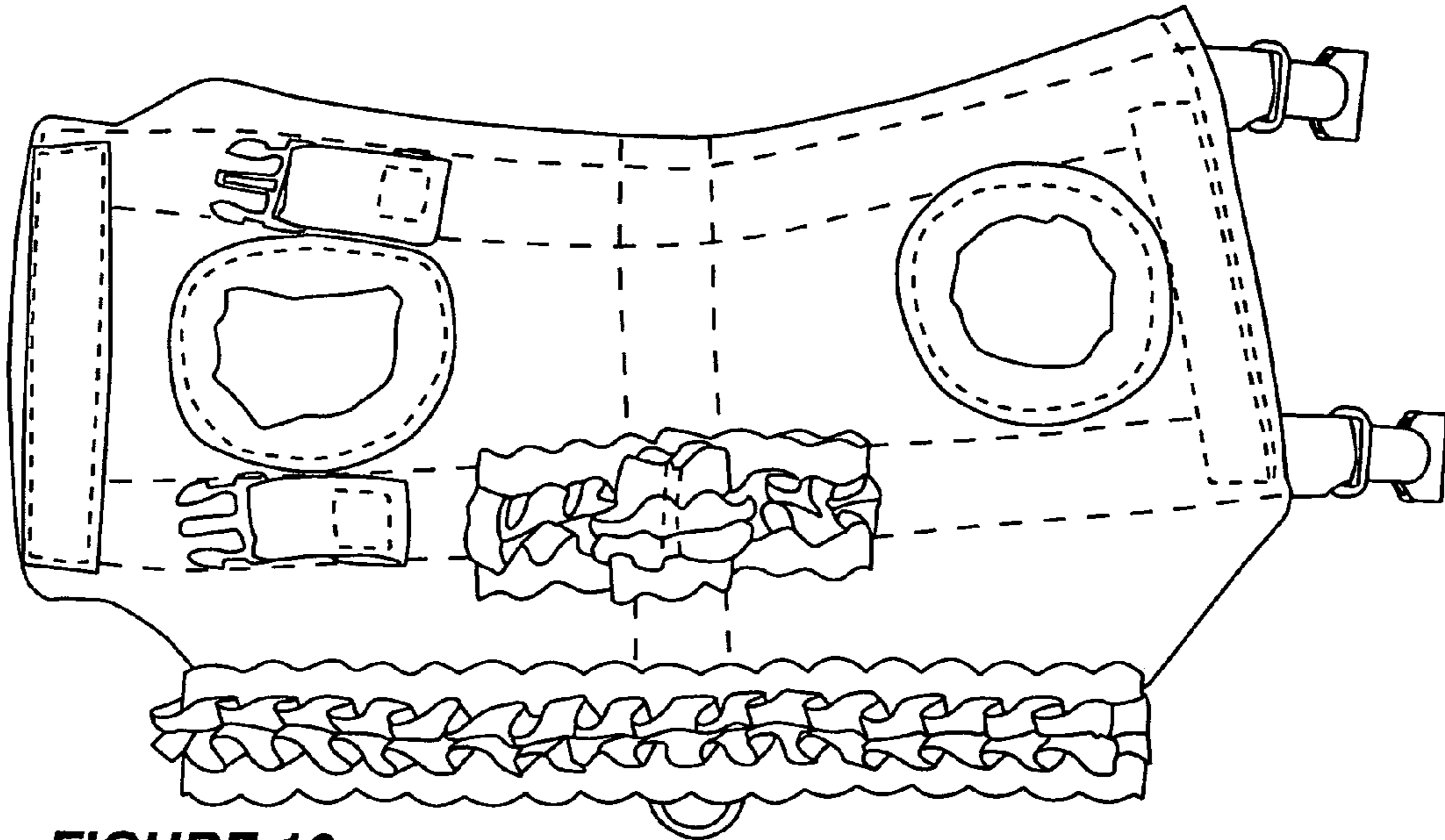
**FIGURE 7**



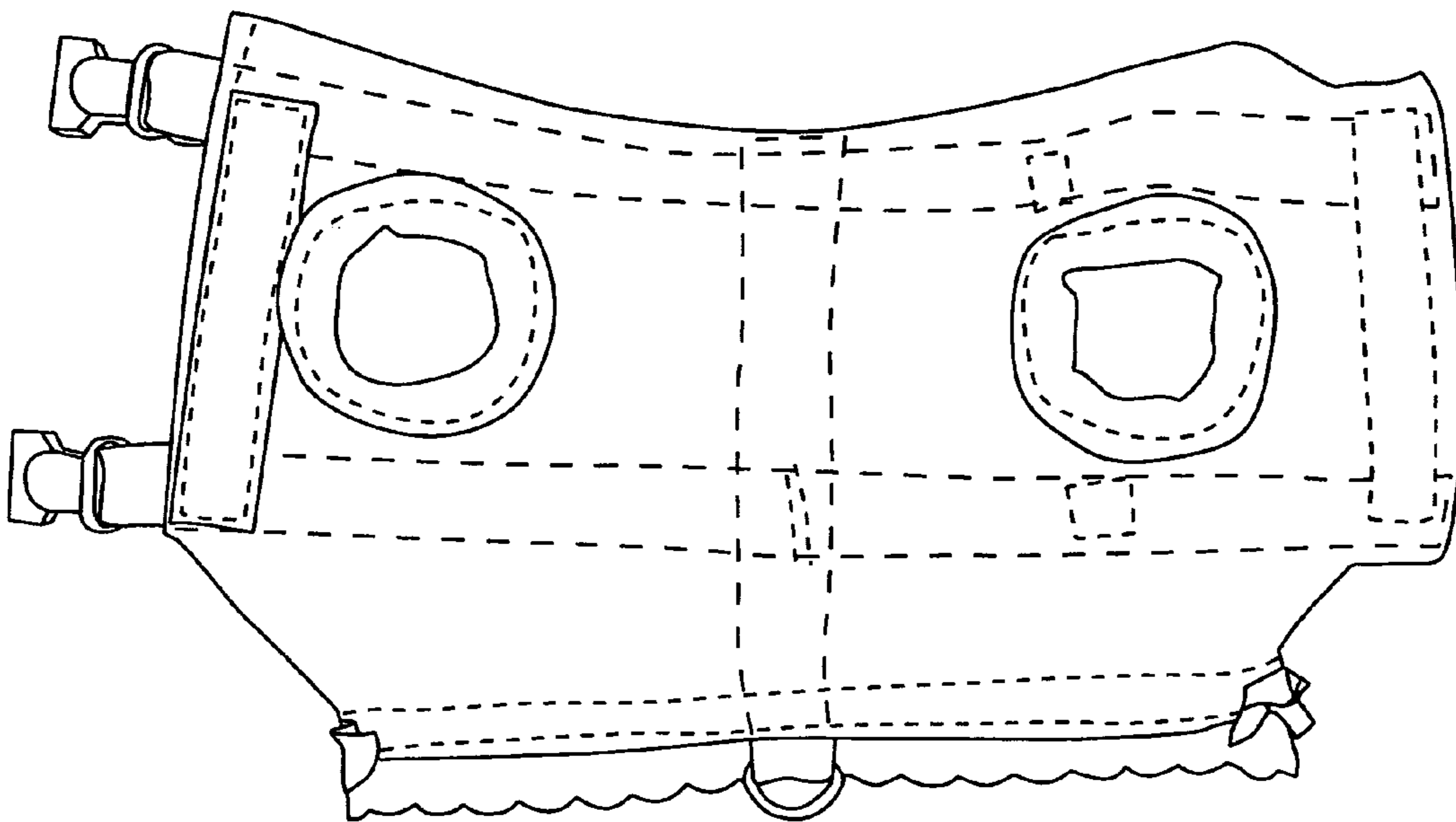
**FIGURE 8**



**FIGURE 9**



**FIGURE 10**



**FIGURE 11**