



US00D561409S

(12) **United States Design Patent**
Katz

(10) **Patent No.:** **US D561,409 S**
(45) **Date of Patent:** **** Feb. 5, 2008**

(54) **H STYLE HARNESS DOGGIE DRESS**

(57) **CLAIM**

(76) Inventor: **Bette J. Katz**, 27766 Saddle Trail,
Toney, AL (US) 35773

I claim the ornamental design for an H style harness doggie dress, as shown and described herein.

(**) Term: **14 Years**

DESCRIPTION

(21) Appl. No.: **29/262,653**

FIG. 1 is a front view of the H style harness doggie dress.

(22) Filed: **Jul. 7, 2006**

FIG. 2 is a top view of the H style harness doggie dress.

(51) **LOC (8) Cl.** **30-01**

FIG. 3 is a left side view of the H style harness doggie dress.

(52) **U.S. Cl.** **D30/145**

FIG. 4 is a bottom view of the H style harness doggie dress.

(58) **Field of Classification Search** D30/144-145,
D30/109, 199; 119/850, 854, 855, 907, 725,
119/726, 712, 814, 816-819, 497; D3/213-217
See application file for complete search history.

FIG. 5 is a slightly enlarged back view of the H style harness doggie dress.

FIG. 6 is a left side perspective view of the H style harness doggie dress.

(56) **References Cited**

FIG. 7 is a right side perspective view of the H style harness doggie dress.

U.S. PATENT DOCUMENTS

FIG. 8 is a top perspective view of the H style harness doggie dress shown in use on a dog.

2,085,425	A *	6/1937	Goodwin	2/406
3,742,679	A *	7/1973	Jordan	54/79.1
D290,178	S *	6/1987	Nissen	D30/109
D352,370	S *	11/1994	Shover	D30/145
D352,577	S *	11/1994	Shover	D30/145
5,632,235	A *	5/1997	Larsen et al.	119/856
D387,510	S *	12/1997	Way	D30/144
D404,852	S *	1/1999	Powell-Lesnick	D30/145
6,070,557	A *	6/2000	Hibbert	119/850
6,119,635	A *	9/2000	Powell-Lesnick	119/850

FIG. 9 is a bottom view of the H style harness doggie dress shown in use on a dog.

FIG. 10 is a top view of the H style harness doggie dress shown unfolded; and,

* cited by examiner

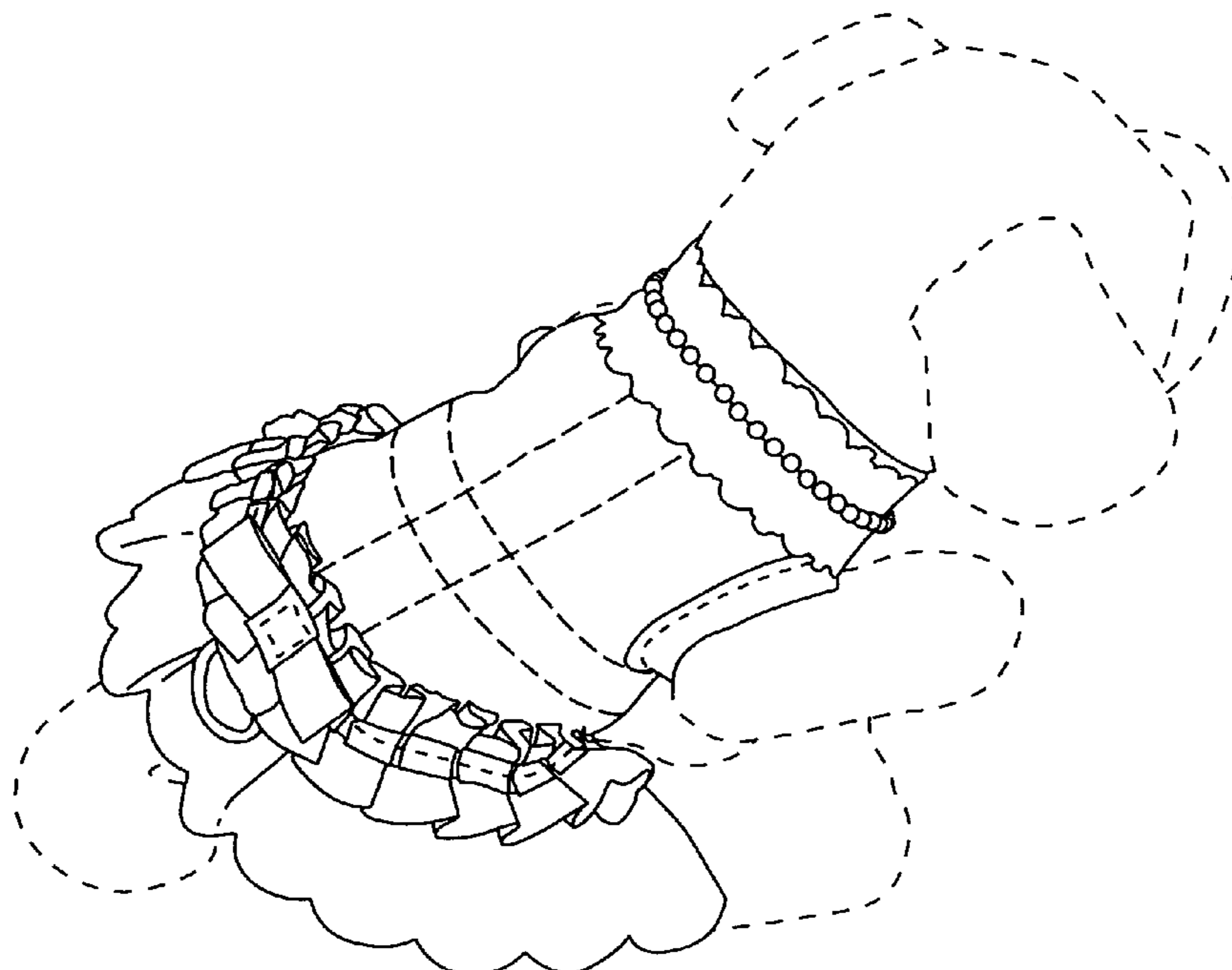
FIG. 11 is a bottom view of the H style harness doggie dress shown unfolded.

The broken line showing of a dog in FIGS. 8 and 9 is for illustrative purposes only and forms no part of the claimed design.

Primary Examiner—Melanie Tung
Assistant Examiner—Susan Moon Lee
(74) *Attorney, Agent, or Firm*—Lanier Ford Shaver & Payne P.C.; J. Mark Bledsoe

The broken lines on the H style harness doggie dress throughout FIGS. 1-11 represent stitching and are part of the claimed design.

1 Claim, 6 Drawing Sheets



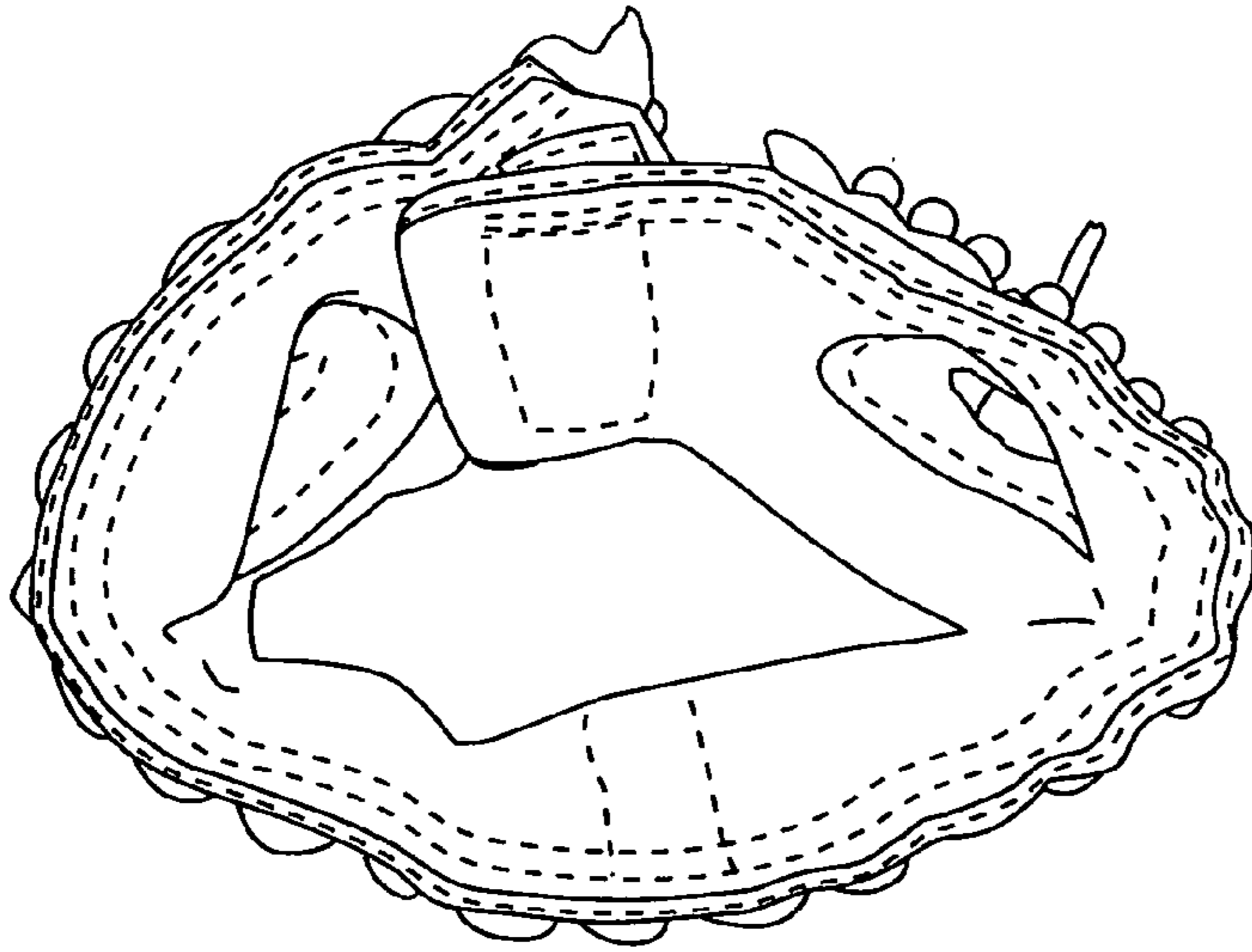


FIGURE 1

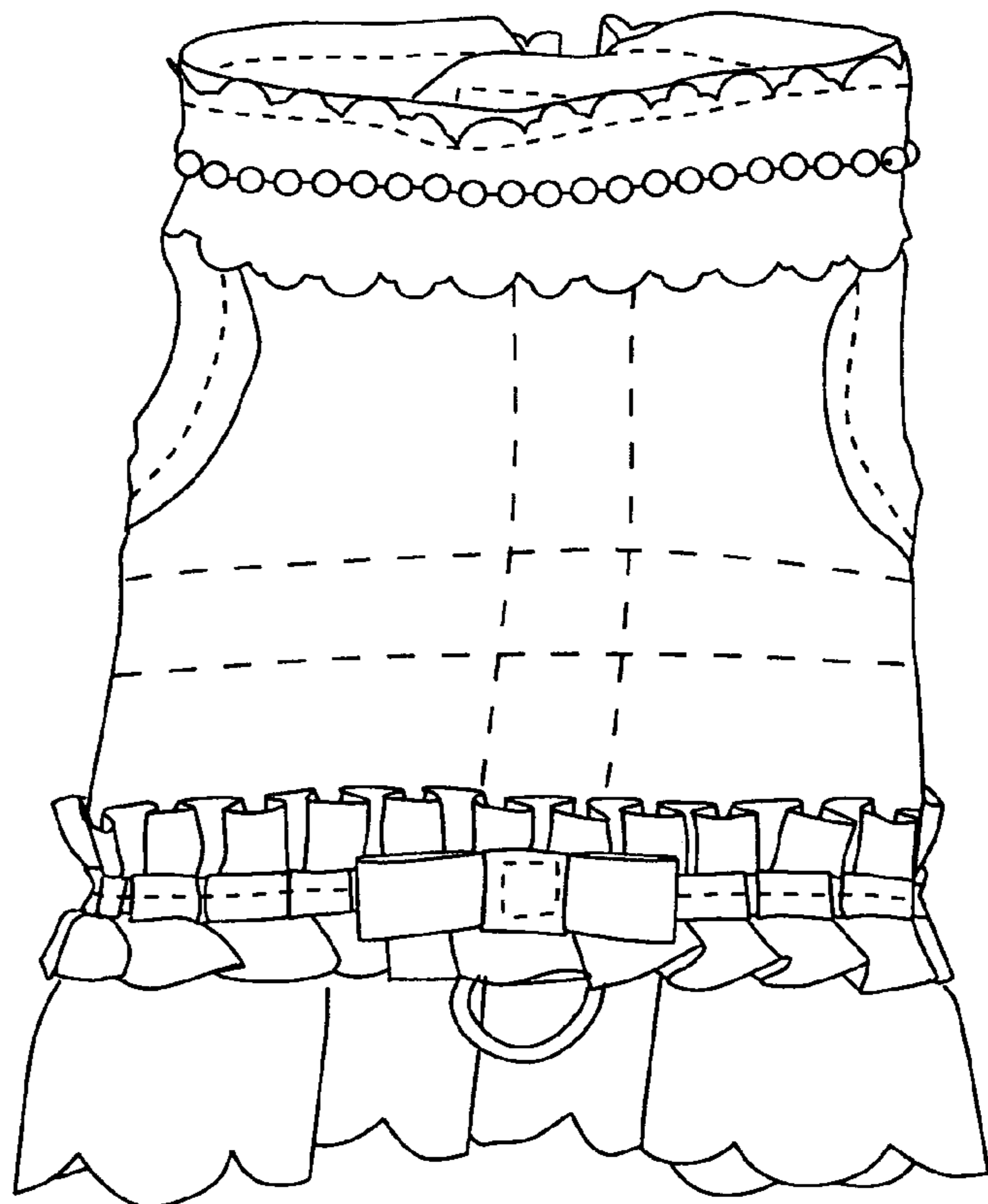


FIGURE 2

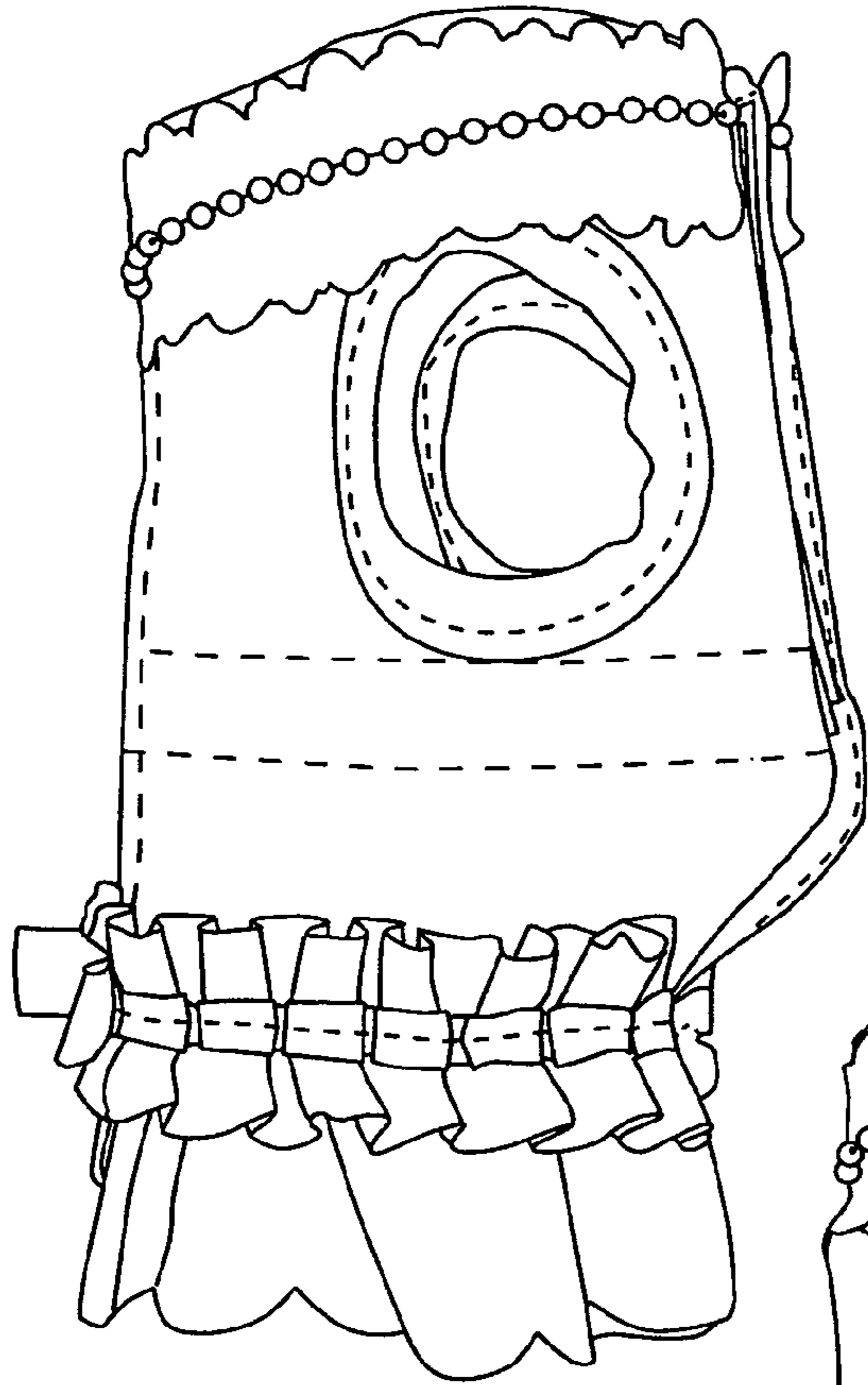


FIGURE 3

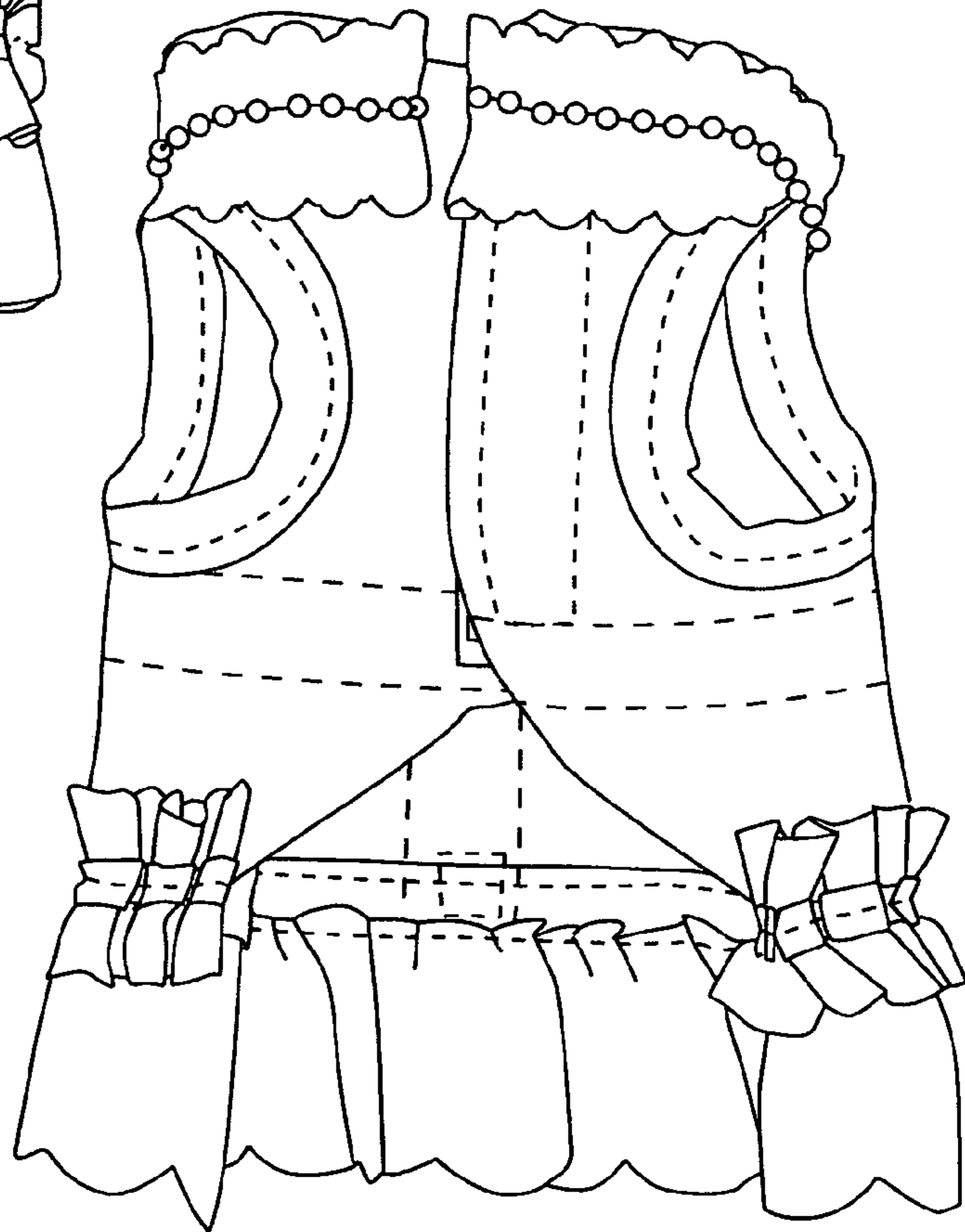


FIGURE 4

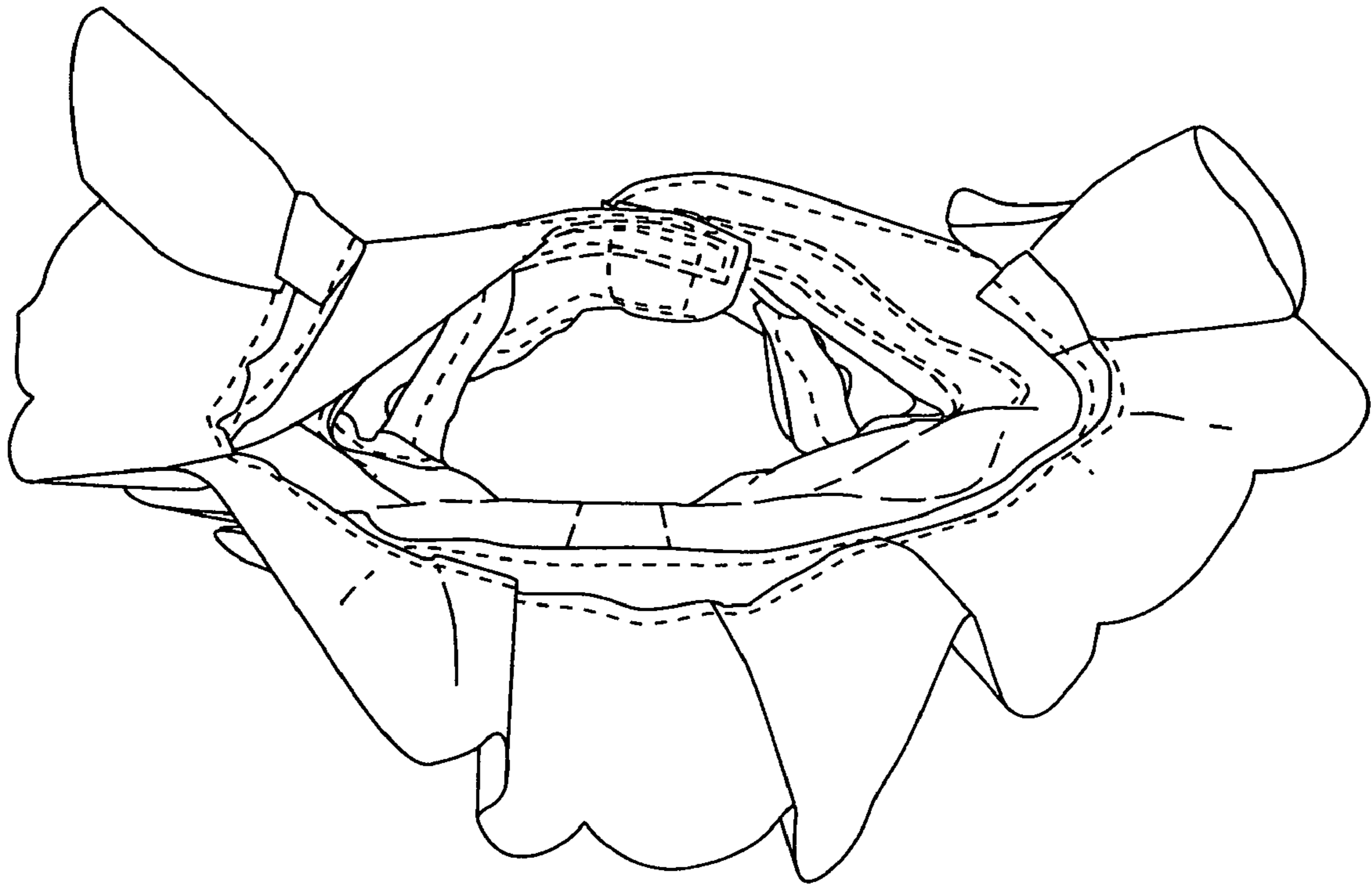


FIGURE 5

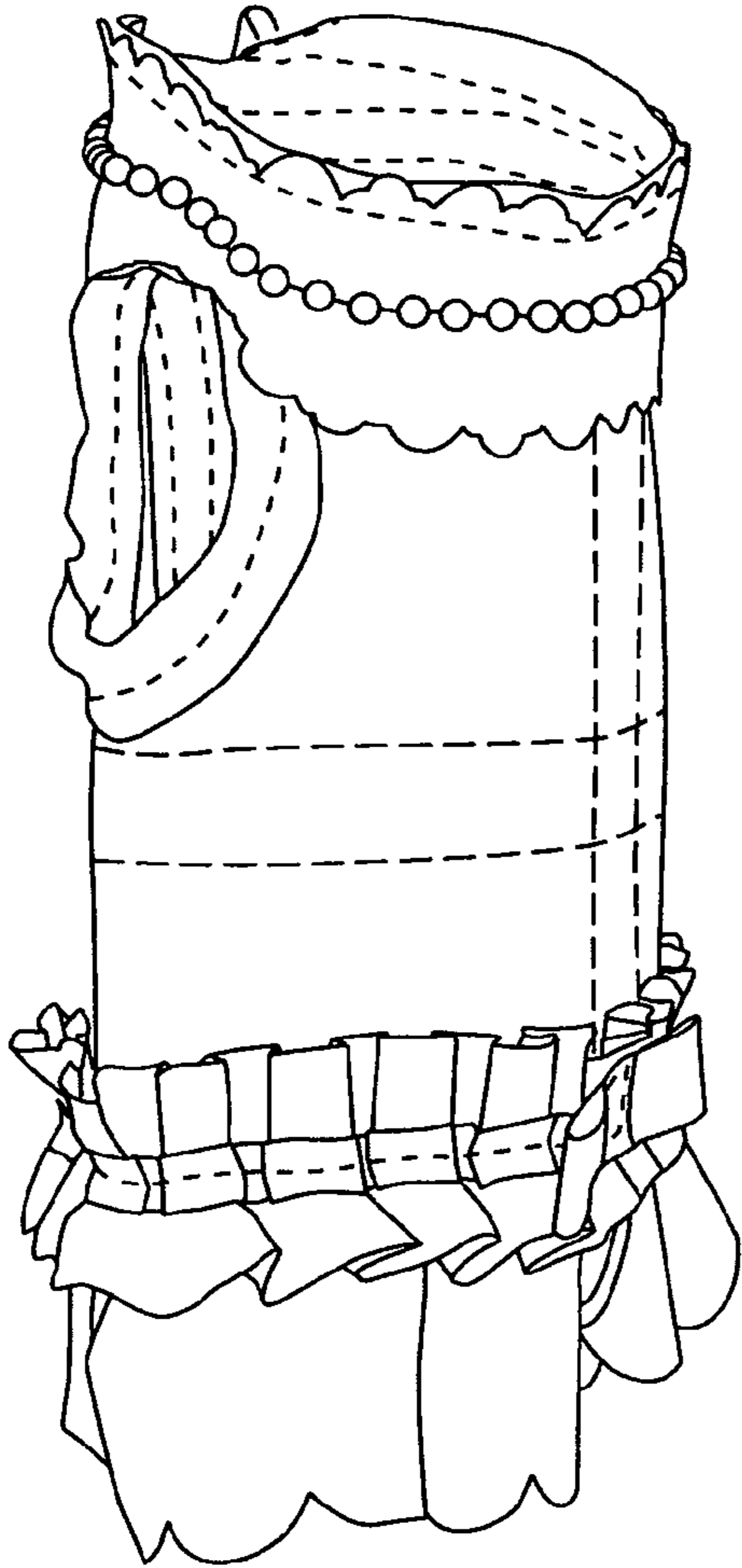


FIGURE 6

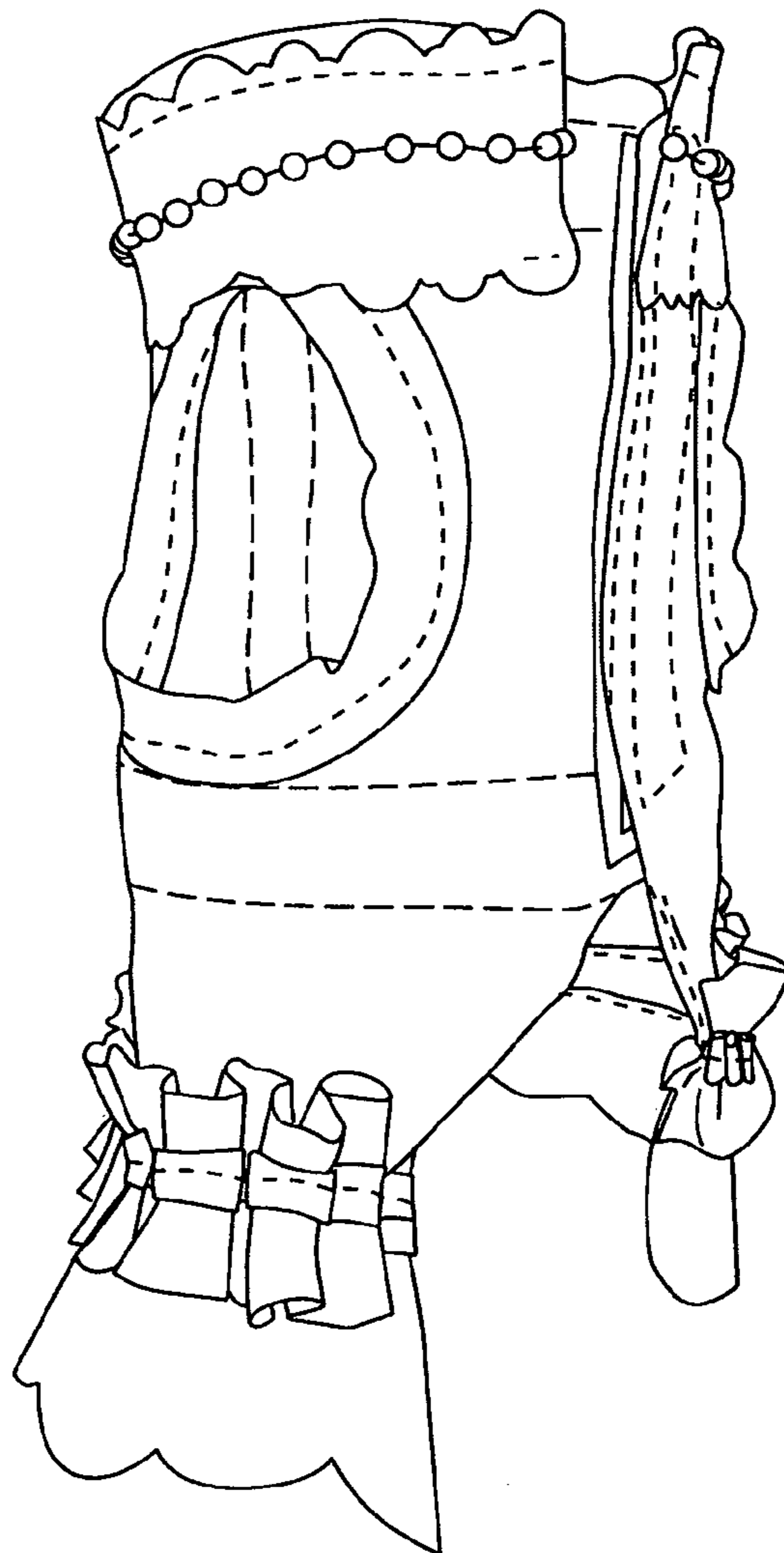


FIGURE 7

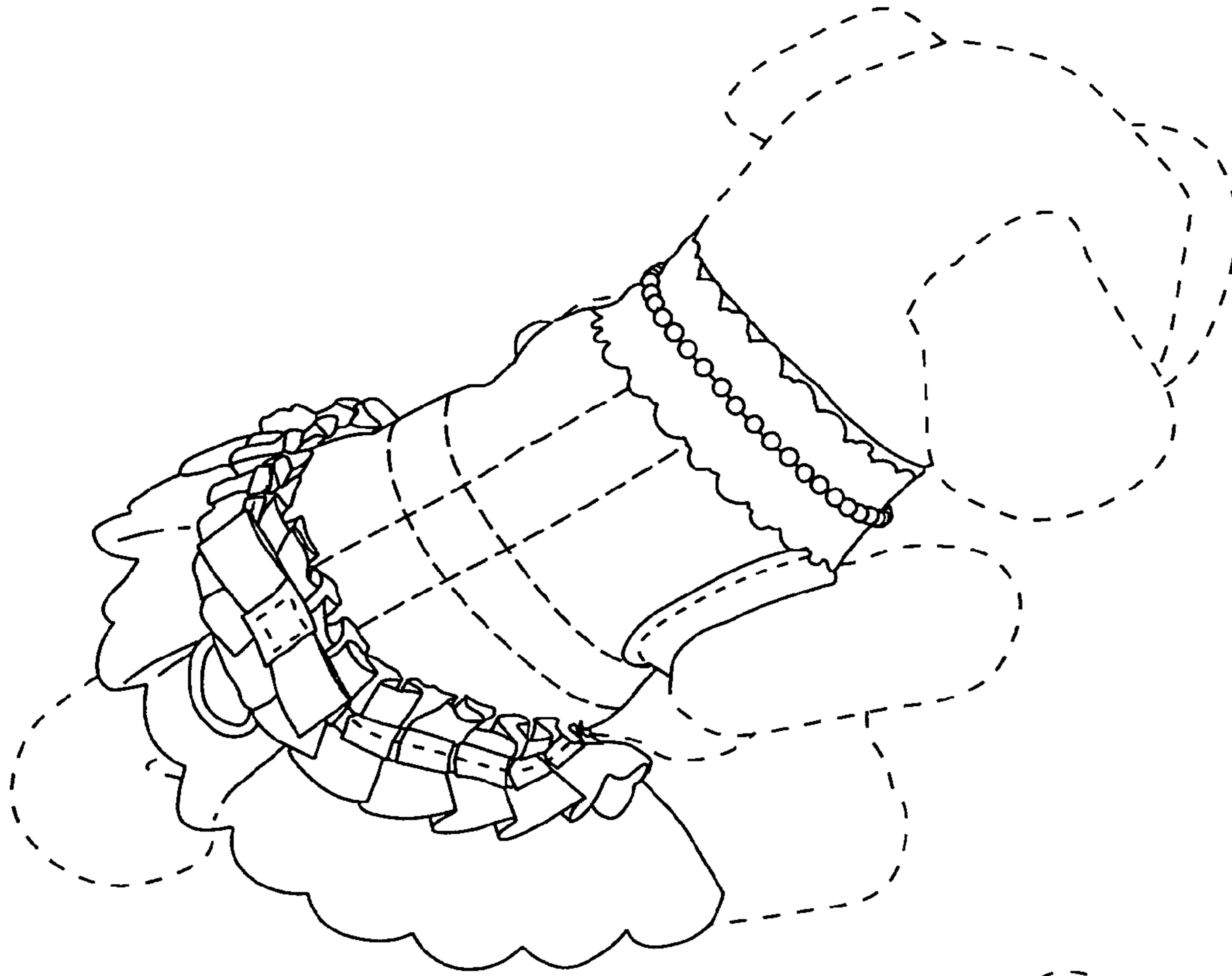


FIGURE 8

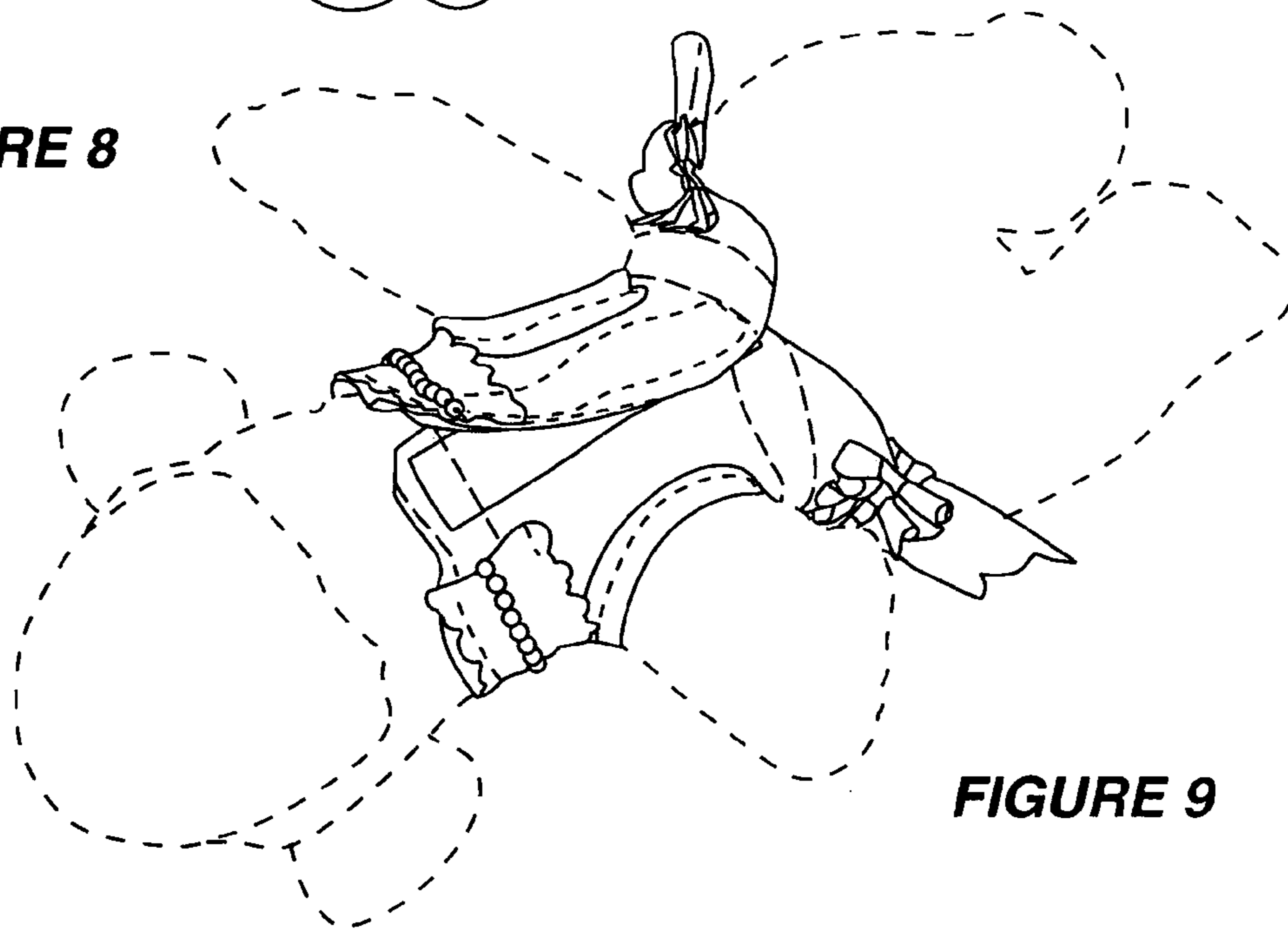


FIGURE 9

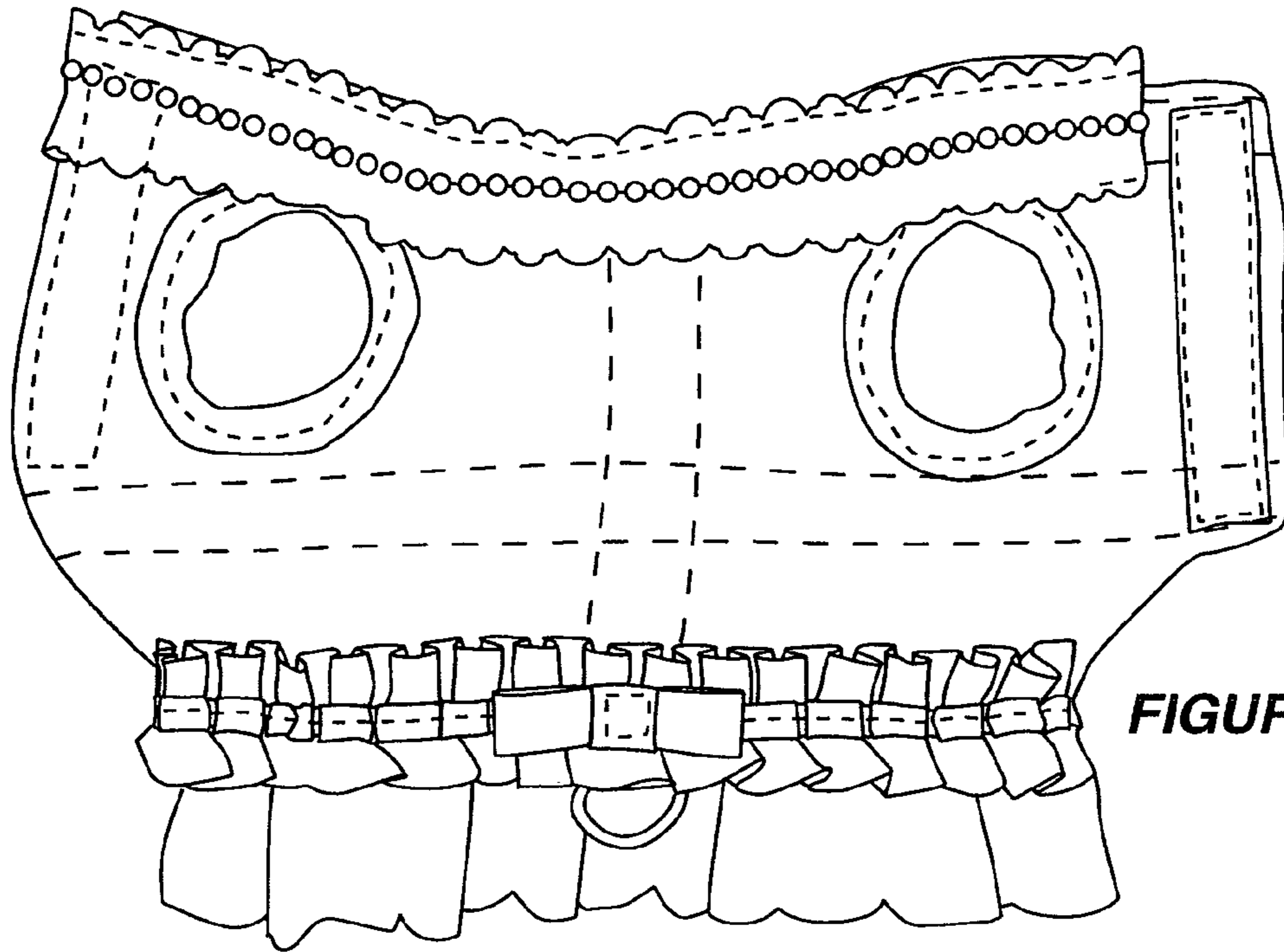


FIGURE 10

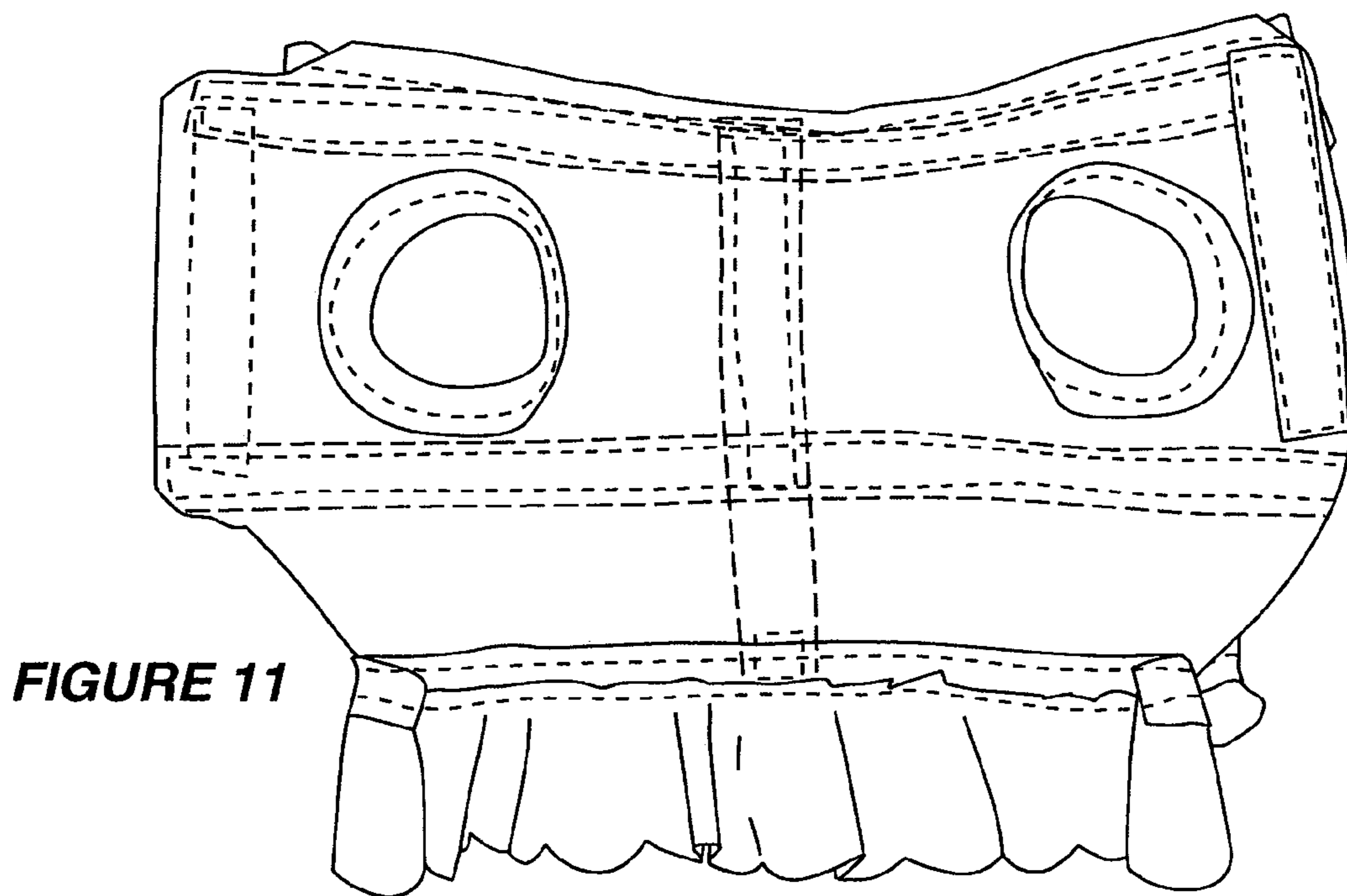


FIGURE 11