

US00D561399S

(12) **United States Design Patent** (10) **Patent No.:** **US D561,399 S**  
**Hadtke et al.** (45) **Date of Patent:** **\*\* Feb. 5, 2008**

<p>(54) <b>DENTAL FLOSS DISPENSER</b></p> <p>(75) Inventors: <b>Frederick B. Hadtke</b>, New York, NY (US); <b>Lawrence M. Whalen, Jr.</b>, Pittsburgh, PA (US); <b>Michael J. Larocca</b>, Pittsburgh, PA (US)</p> <p>(73) Assignee: <b>SmithKline Beecham Corporation</b>, Philadelphia, PA (US)</p> <p>(**) Term: <b>14 Years</b></p> <p>(21) Appl. No.: <b>29/211,550</b></p> <p>(22) Filed: <b>Aug. 18, 2004</b></p>	<p>5,318,203 A * 6/1994 Iaia et al. .... 222/94</p> <p>5,358,151 A * 10/1994 Strassenburgh ..... 222/420</p> <p>D356,026 S * 3/1995 Iaia et al. .... D9/697</p> <p>D358,760 S * 5/1995 Sherman et al. .... D9/697</p> <p>5,423,442 A * 6/1995 Nozawa et al. .... 215/235</p> <p>D370,845 S * 6/1996 Sherman et al. .... D9/438</p> <p>D374,399 S * 10/1996 Neveras et al. .... D9/447</p> <p>5,702,033 A * 12/1997 Beaver ..... 222/94</p> <p>5,732,722 A 3/1998 Mortvedt</p> <p>5,806,698 A * 9/1998 Aguirrezabal ..... 215/235</p> <p>D402,202 S * 12/1998 Sherman et al. .... D9/446</p> <p>D438,799 S * 3/2001 Anderson ..... D9/449</p> <p>6,431,381 B1 * 8/2002 Randall ..... 215/331</p> <p>6,557,728 B1 5/2003 Anderson et al.</p> <p>D519,029 S * 4/2006 Hicks et al. .... D9/453</p> <p>D531,504 S * 11/2006 Norris et al. .... D9/449</p>
---	--

**Related U.S. Application Data**

(62) Division of application No. 29/179,658, filed on Apr. 11, 2003, now Pat. No. Des. 493,014.

(51) **LOC (8) Cl.** ..... **28-03**

(52) **U.S. Cl.** ..... **D28/66**

(58) **Field of Classification Search** ..... D28/66;  
D9/436, 442, 446, 447, 449, 435, 437, 715,  
D9/695, 697-699; 222/556, 93, 106, 107;  
215/235; 206/63.5, 581; 225/80, 85; 242/137,  
242/137.1, 138; 132/323-325

See application file for complete search history.

(56) **References Cited**

**U.S. PATENT DOCUMENTS**

1,858,134 A	5/1932	Booth et al.	
4,428,389 A	1/1984	Cordero	
4,796,783 A	1/1989	Paulson	
D314,147 S *	1/1991	Davis	D9/446
5,076,302 A	12/1991	Chari	
D328,799 S	8/1992	Leonard	

\* cited by examiner

*Primary Examiner*—Lucy Lieberman

(74) *Attorney, Agent, or Firm*—Nora Stein-Fernandez; Theodore R. Furman

(57) **CLAIM**

The ornamental design for dental floss dispenser, as shown and described.

**DESCRIPTION**

FIG. 1 is a front view of the dental floss dispenser;

FIG. 2 is a back view of the dental floss dispenser;

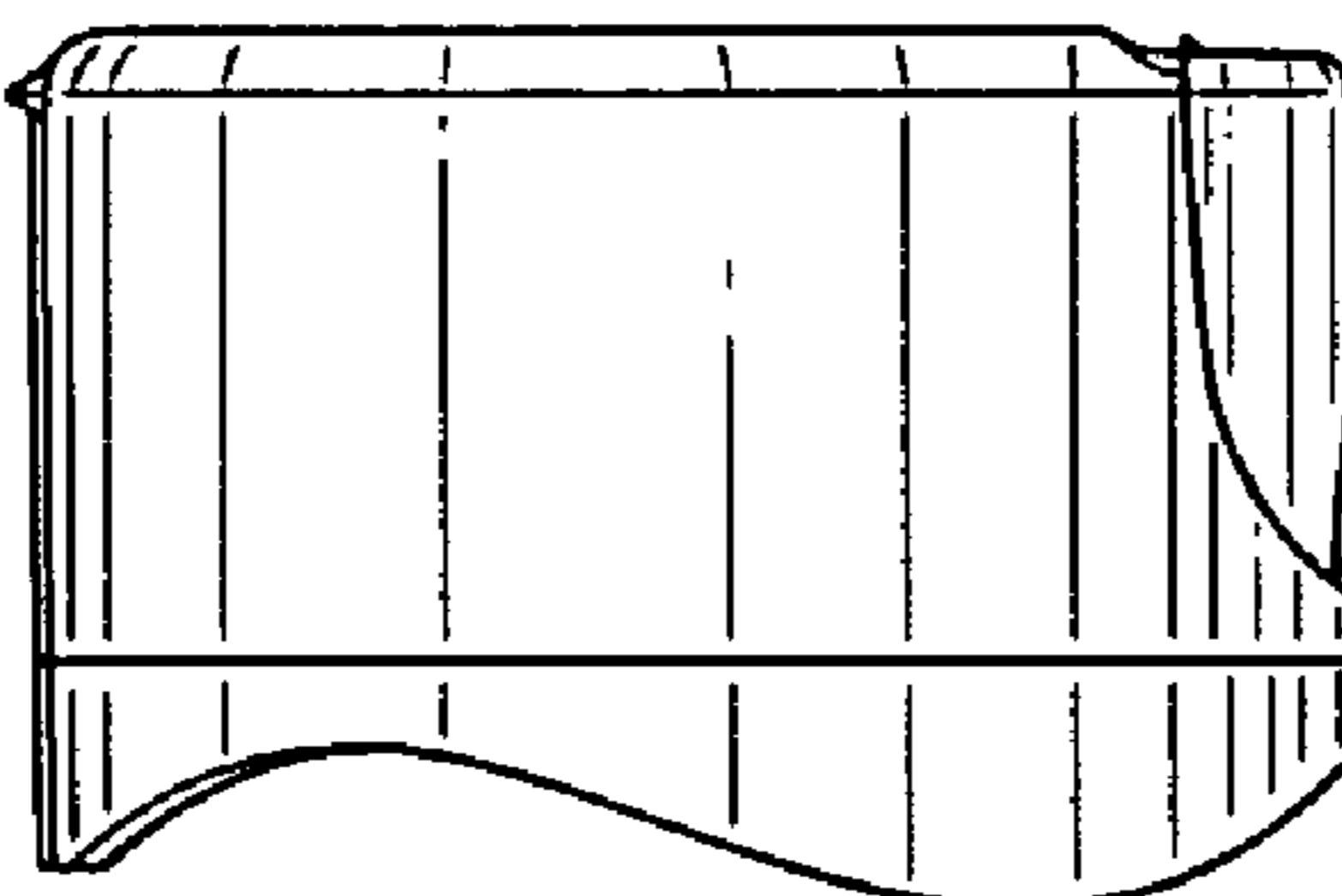
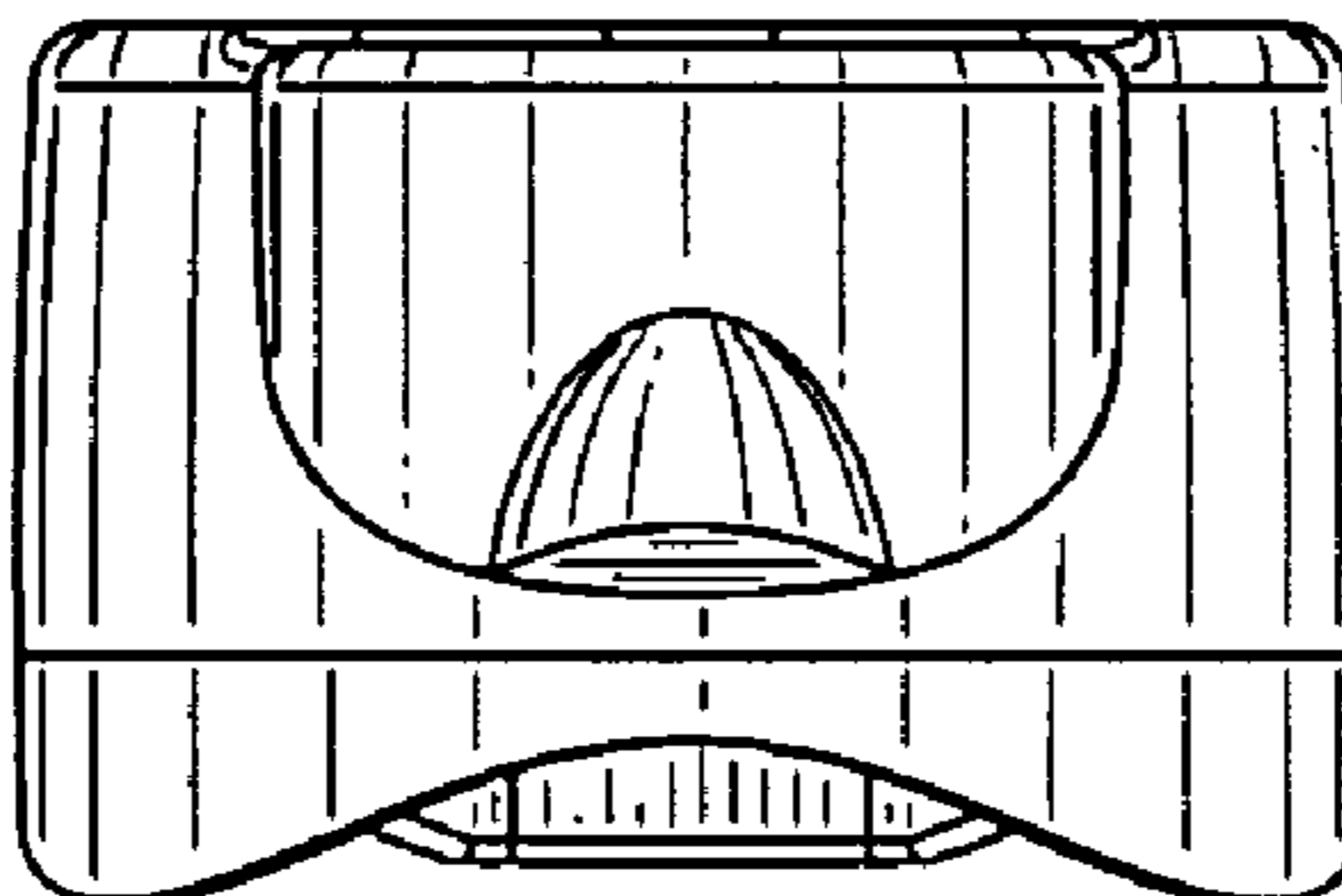
FIG. 3 is a left-side view of the dental floss dispenser;

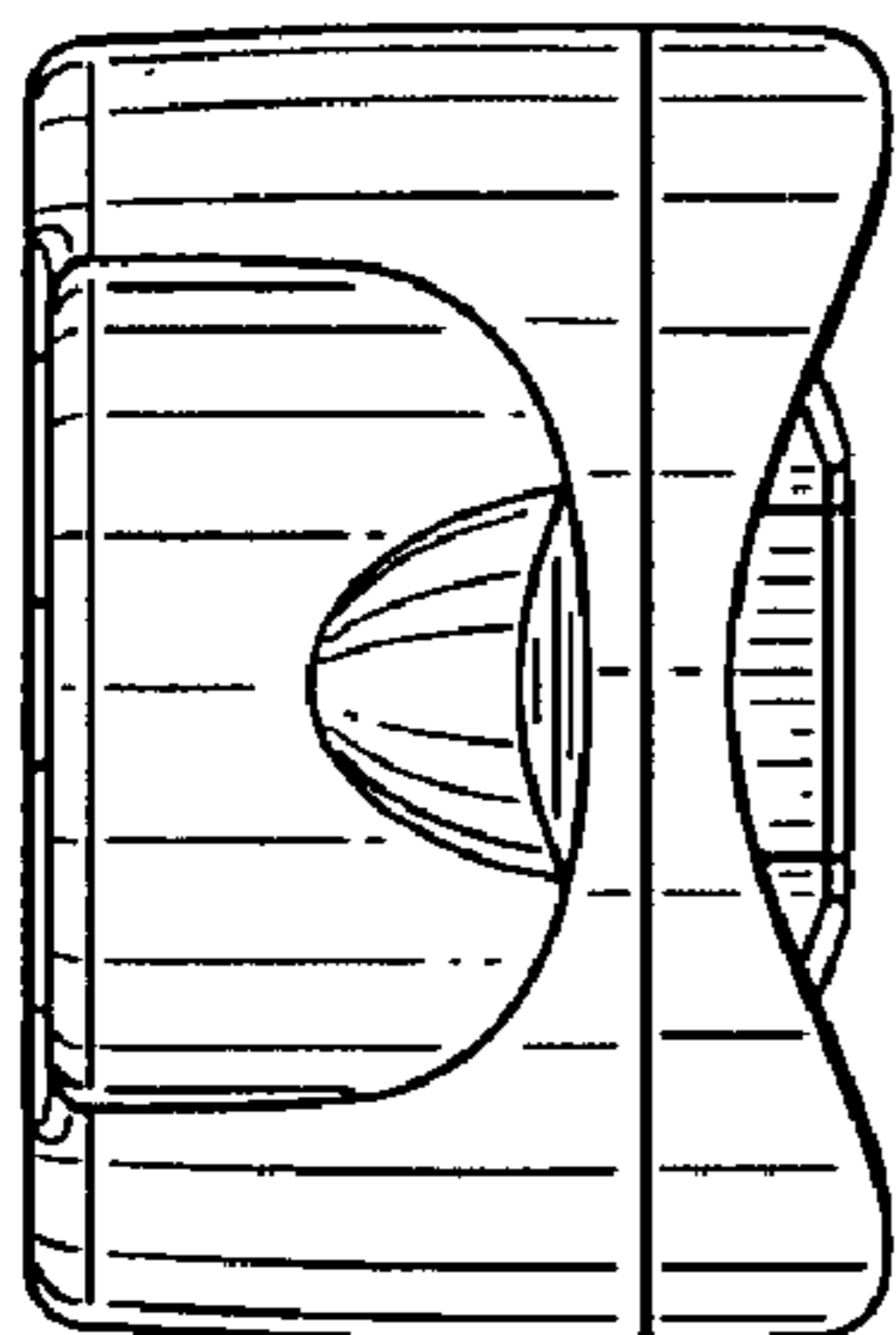
FIG. 4 is a right-side view of the dental floss dispenser; and,

FIG. 5 is a top view of the dental floss dispenser.

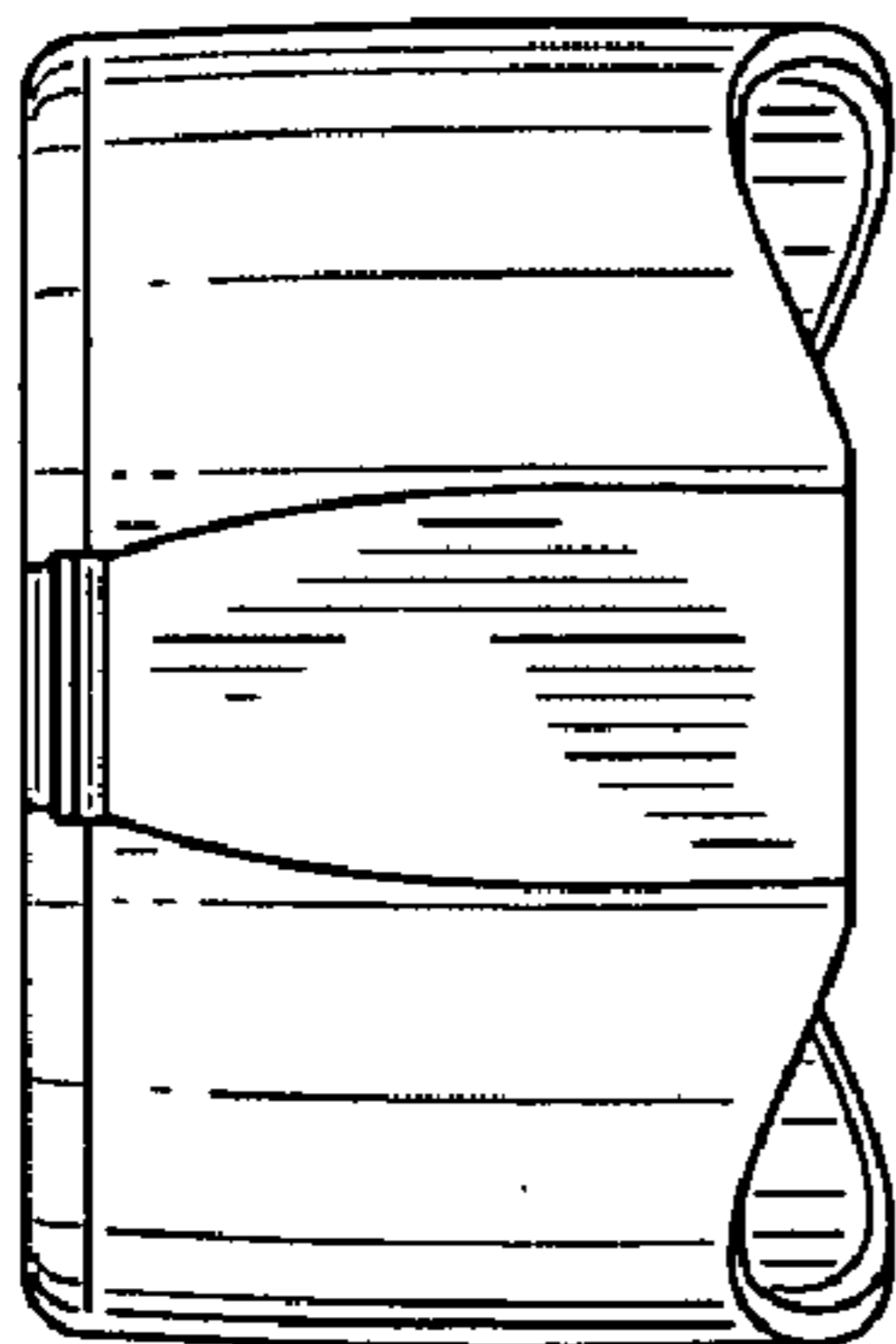
The broken lines shown in FIG. 5 are for illustrative purposes only and form no part of the claimed design.

**1 Claim, 1 Drawing Sheet**

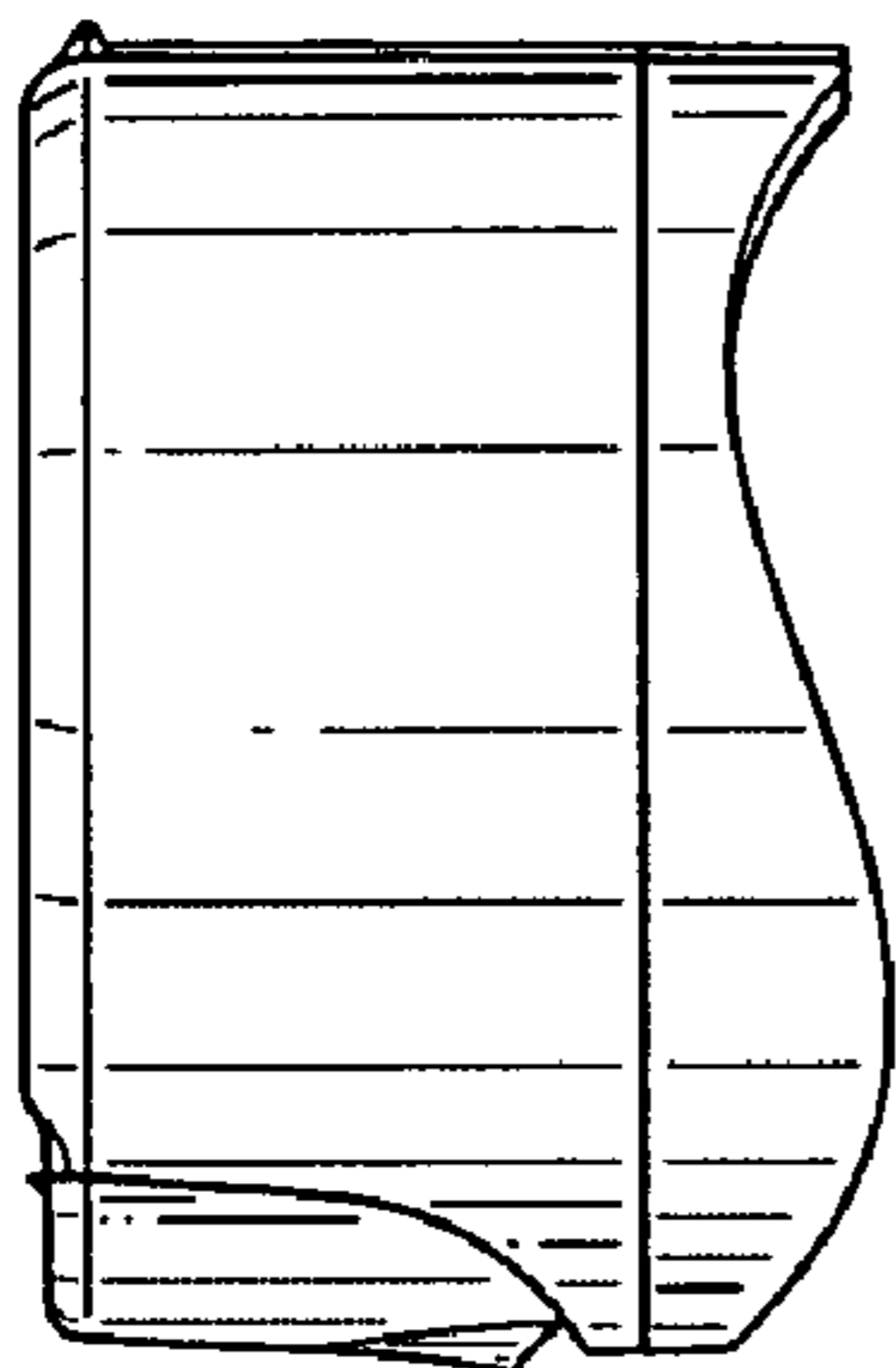




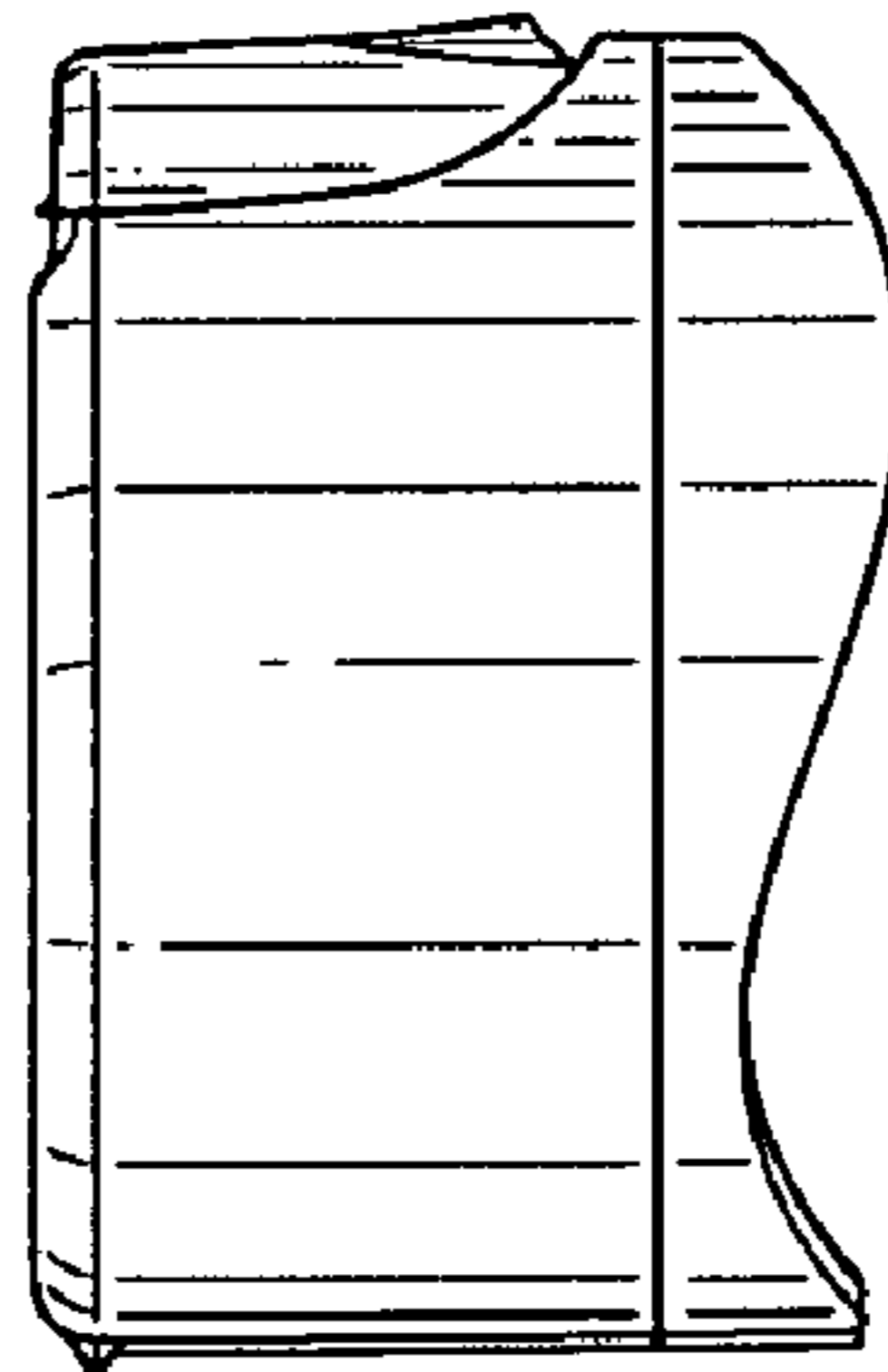
**FIG. 1**



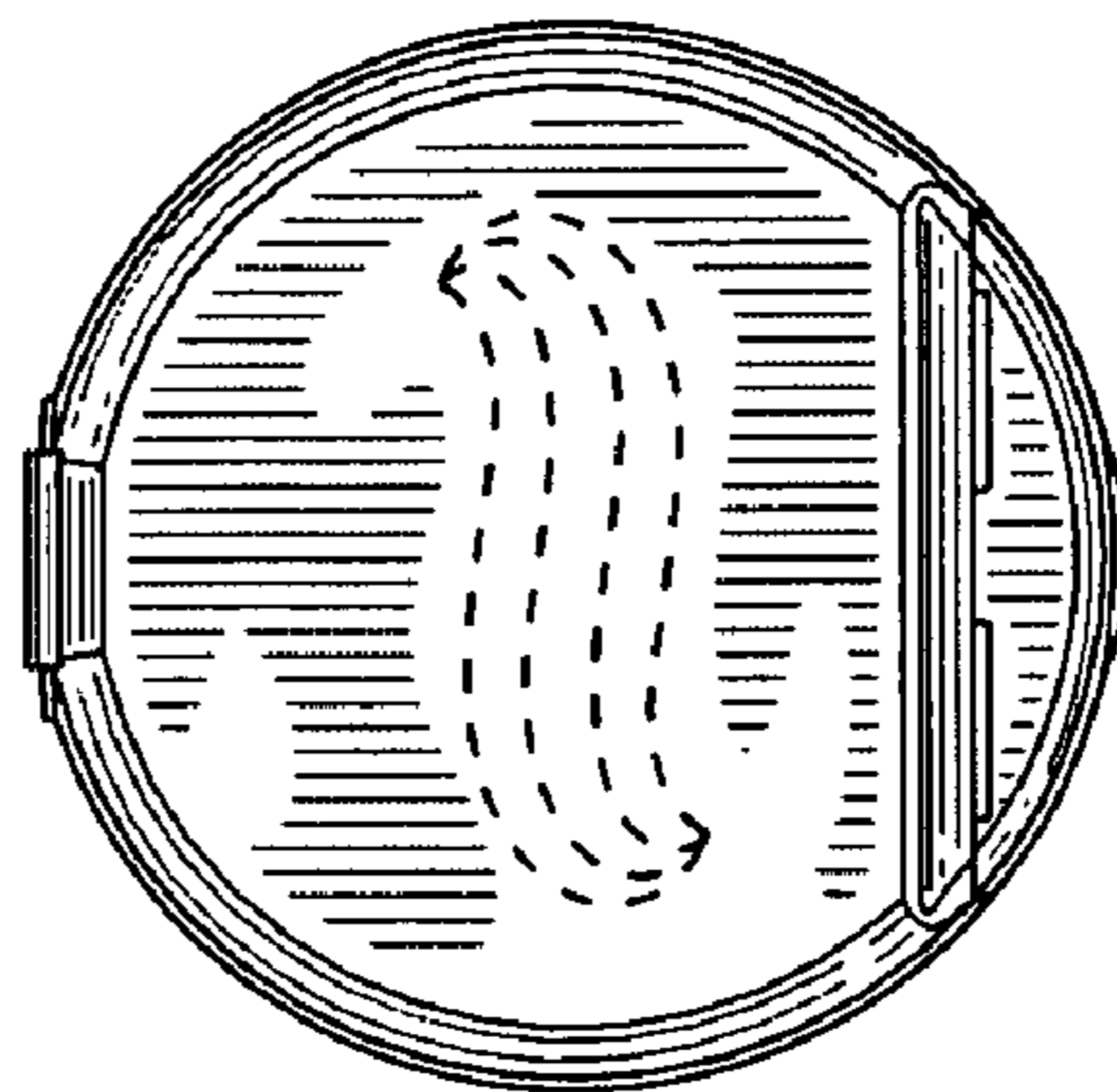
**FIG. 2**



**FIG. 3**



**FIG. 4**



**FIG. 5**