

US00D561396S

(12) **United States Design Patent**
Park

(10) **Patent No.:** **US D561,396 S**

(45) **Date of Patent:** **** Feb. 5, 2008**

(54) **NAIL BUFFER**

(75) Inventor: **Il-Yong Park**, Seoul (KR)

(73) Assignee: **Shinwoonion Co., Ltd.**, Seoul (KR)

(**) Term: **14 Years**

(21) Appl. No.: **29/276,654**

(22) Filed: **Jan. 31, 2007**

(30) **Foreign Application Priority Data**

Dec. 18, 2006 (KR) 30-2006-0050266

(51) **LOC (8) Cl.** **28-03**

(52) **U.S. Cl.** **D28/59**

(58) **Field of Classification Search** 132/73,
132/73.5, 75.3, 75.6, 76.2, 76.4, 76.5; D28/56,
D28/57, 59

See application file for complete search history.

(56) **References Cited**

U.S. PATENT DOCUMENTS

D530,452 S * 10/2006 Anderson et al. D28/59

D544,149 S * 6/2007 Park D28/59

* cited by examiner

Primary Examiner—Jennifer Rivard

(74) *Attorney, Agent, or Firm*—Marsh Fischmann & Breyfogle LLP

(57) **CLAIM**

The ornamental design for a nail buffer, as shown and described.

DESCRIPTION

FIG. 1 is a perspective view of my design for a nail buffer. FIG. 2 is a front view of the nail buffer shown in FIG. 1. FIG. 3 is a rear view of the nail buffer shown in FIG. 1. FIG. 4 is a top view of the nail buffer shown in FIG. 1. FIG. 5 is a bottom view of the nail buffer shown in FIG. 1. FIG. 6 is a left side view of the nail buffer shown in FIG. 1; and, FIG. 7 is a right side view of the nail buffer shown in FIG. 1.

1 Claim, 2 Drawing Sheets

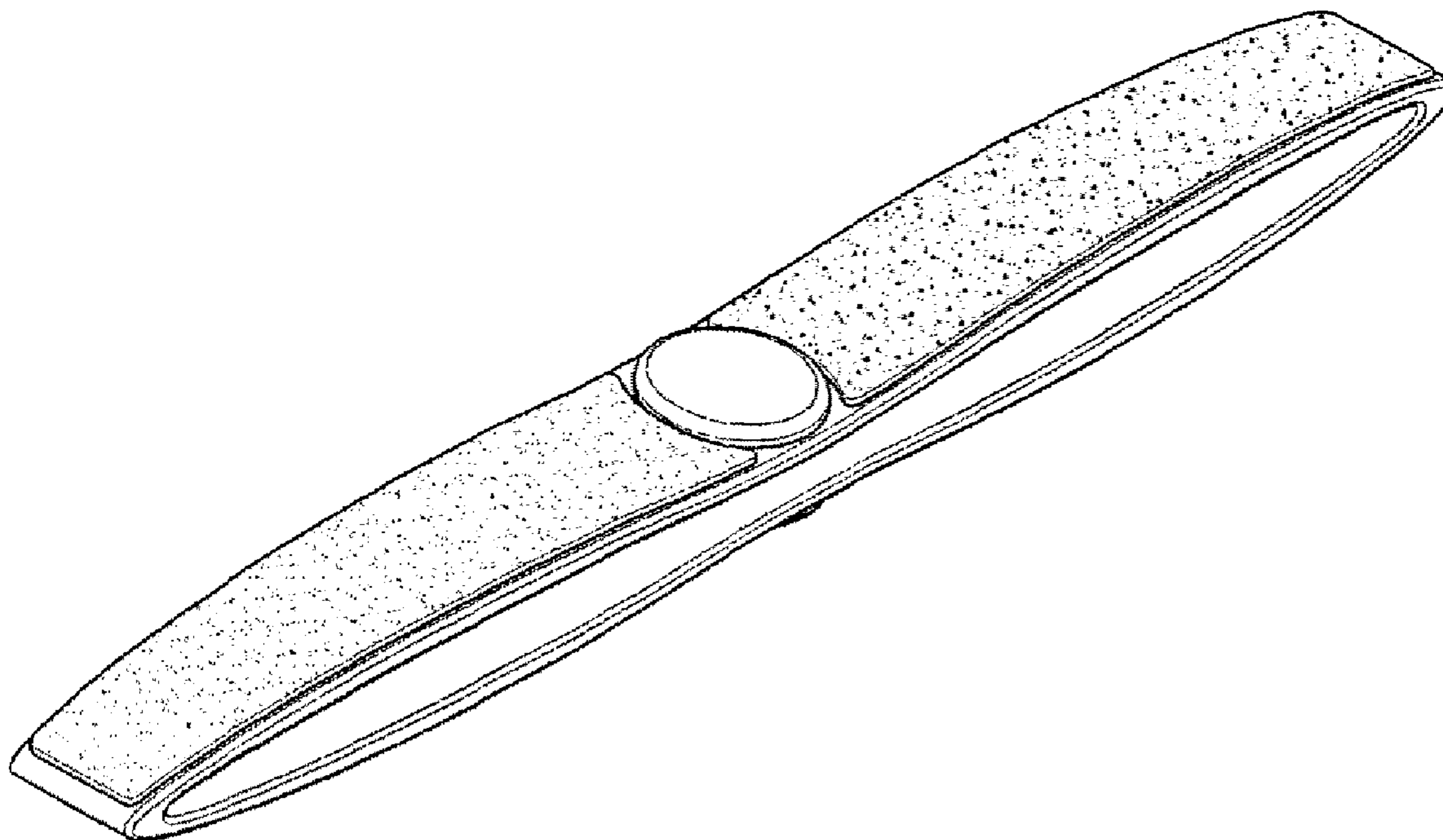


FIG. 1

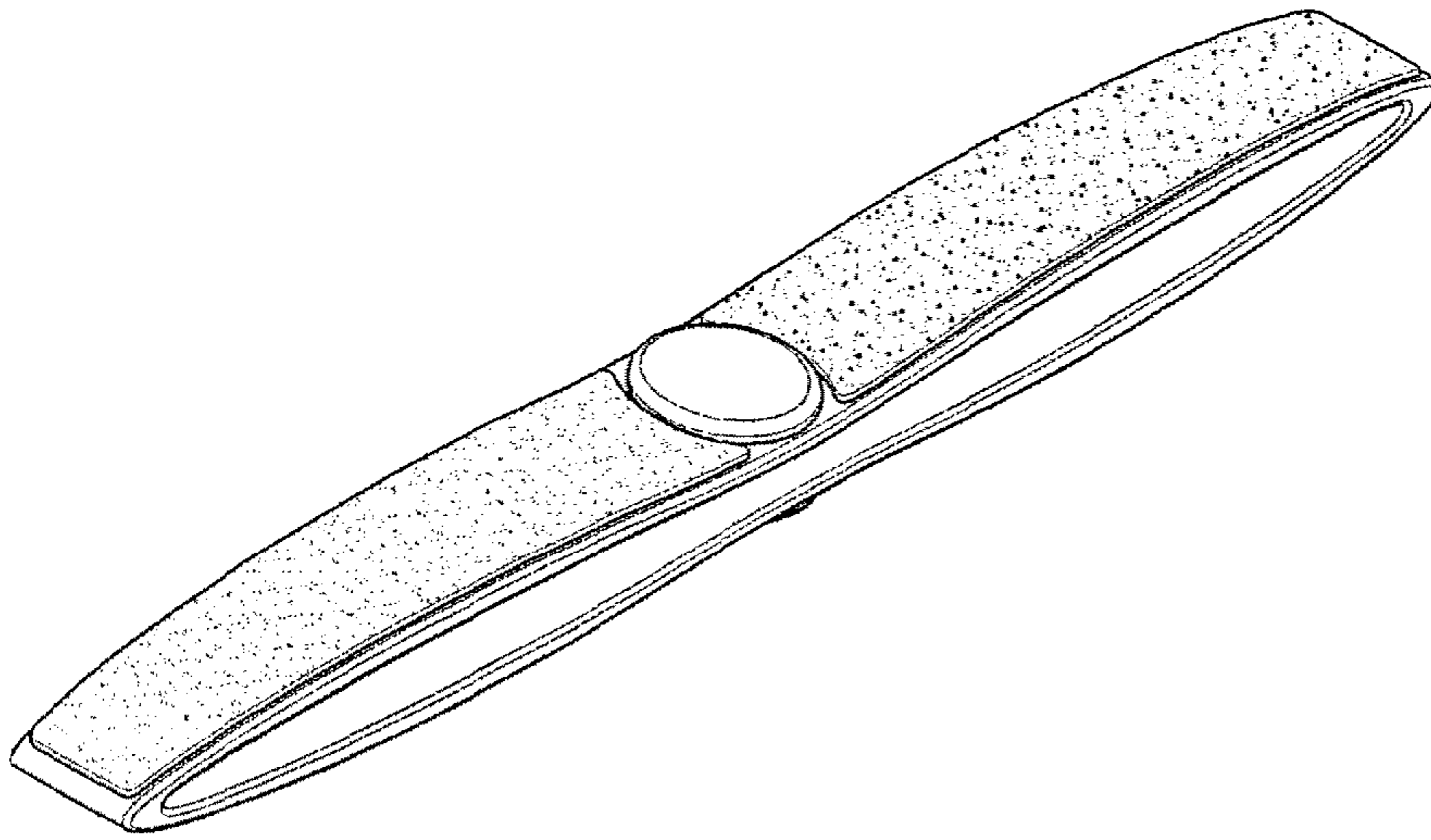


FIG. 2

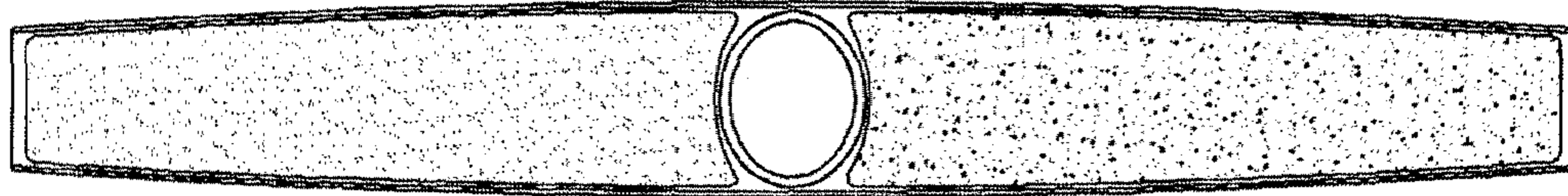


FIG. 3

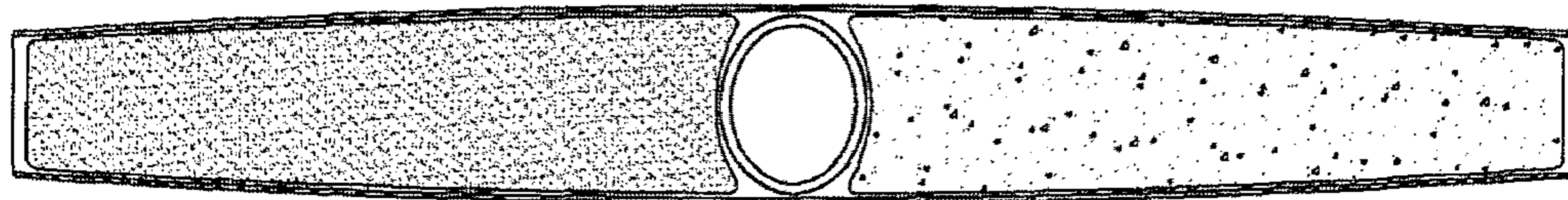


FIG. 4

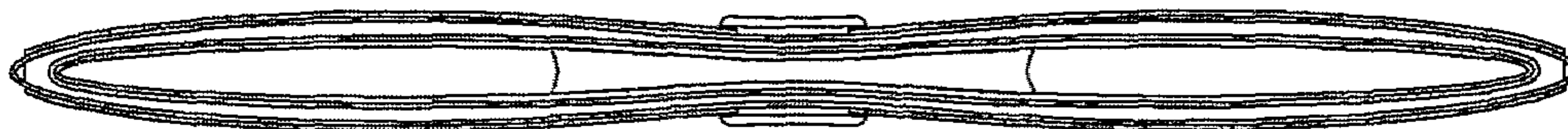


FIG. 5

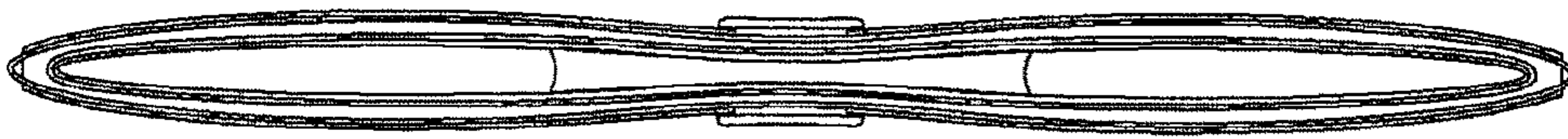


FIG. 6

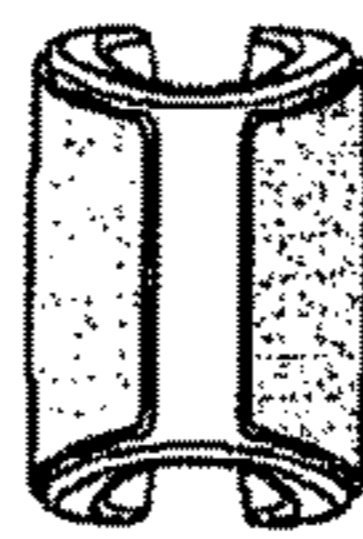


FIG. 7

