



US00D561393S

(12) **United States Design Patent**  
**Burchakchi**

(10) **Patent No.:** **US D561,393 S**

(45) **Date of Patent:** **\*\* Feb. 5, 2008**

(54) **COMB**

(75) Inventor: **Jorge Reinaldo Burchakchi**, Buenos Aires (AR)

(73) Assignee: **Assistance, S.R.L.**, Buenos Aires (AR)

(\*\*) Term: **14 Years**

(21) Appl. No.: **29/288,339**

(22) Filed: **Jun. 7, 2007**

(51) **LOC (8) Cl.** ..... **28-03**

(52) **U.S. Cl.** ..... **D28/21**

(58) **Field of Classification Search** ..... D28/21-34,  
D28/39-43; 132/212, 219, 112-116, 149-150,  
132/159; D30/158-159; 119/626, 633  
See application file for complete search history.

(56) **References Cited**

U.S. PATENT DOCUMENTS

D242,951 S *	1/1977	Bradford	.....	D28/24
D245,544 S *	8/1977	Pittman	.....	D28/25
D247,395 S *	2/1978	Earl	.....	D3/208
4,671,303 A *	6/1987	Saferstein et al.	.....	132/152
D305,781 S *	1/1990	Ukisu	.....	D21/483
D307,192 S *	4/1990	Saferstein et al.	.....	D28/25
D337,175 S *	7/1993	Leopard et al.	.....	D28/7
D353,915 S *	12/1994	Lanne	.....	D30/159
5,873,374 A *	2/1999	Sanz	.....	132/125

D441,136 S *	4/2001	Leman	.....	D28/31
D469,575 S *	1/2003	Grace	.....	D28/25
D481,168 S *	10/2003	Shannon	.....	D28/25
D524,983 S *	7/2006	Smith et al.	.....	D28/31
7,231,925 B1 *	6/2007	Wall	.....	132/149

\* cited by examiner

*Primary Examiner*—Janice E. Seeger

*Assistant Examiner*—Zenia I. Bennett

(74) *Attorney, Agent, or Firm*—Vangelis Economou  
IPHorgan, Ltd.

(57) **CLAIM**

The ornamental design for a comb, as shown and described.

**DESCRIPTION**

The inventive comb design provides an ornamental comb for personal use.

FIG. 1 is a perspective view of the comb showing my new design;

FIG. 2 is a front elevational view thereof;

FIG. 3 is a rear elevational view thereof;

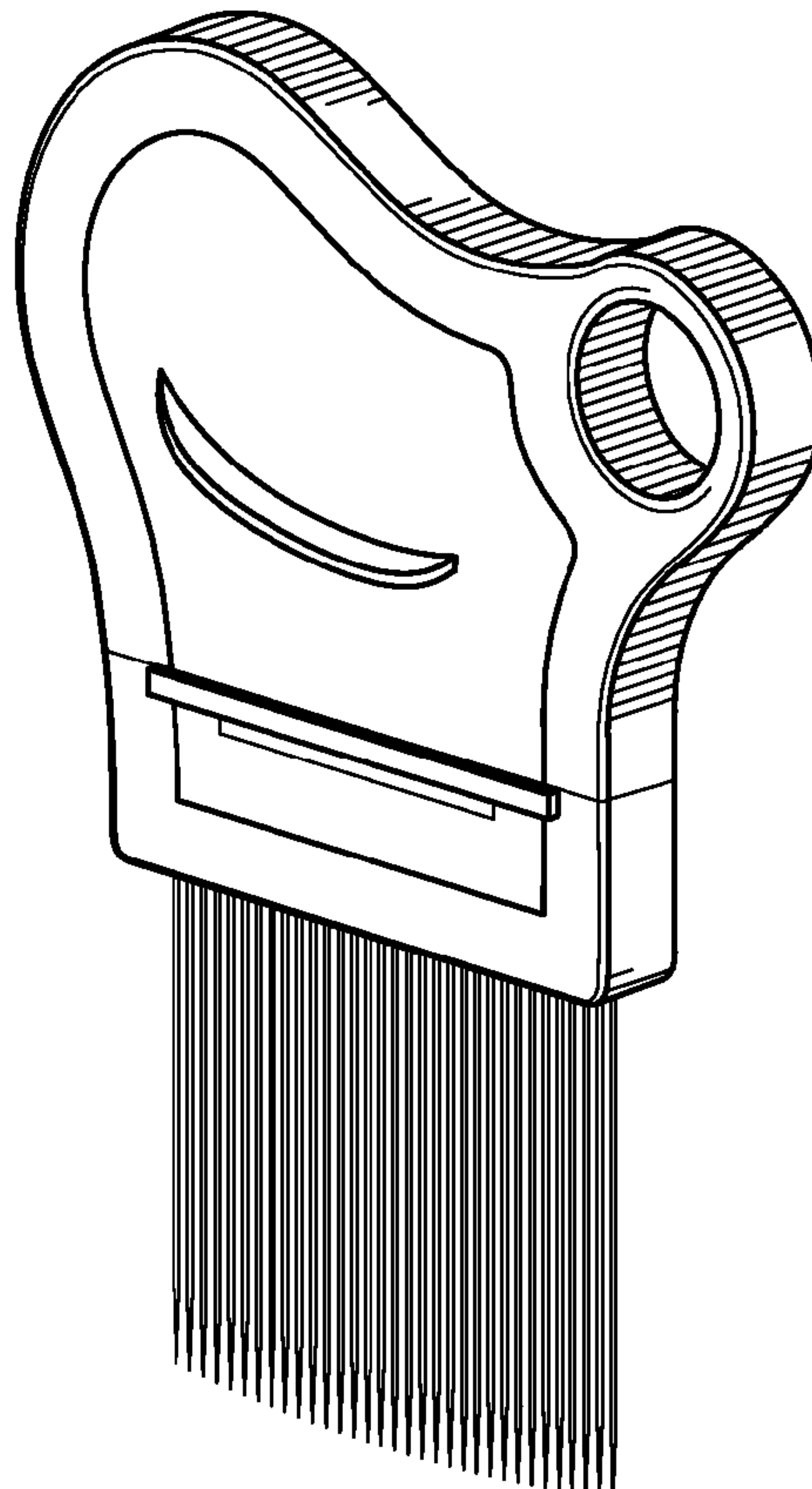
FIG. 4 is a right side view thereof;

FIG. 5 is a left side view thereof;

FIG. 6 is a top view thereof; and,

FIG. 7 is a bottom view thereof.

**1 Claim, 3 Drawing Sheets**



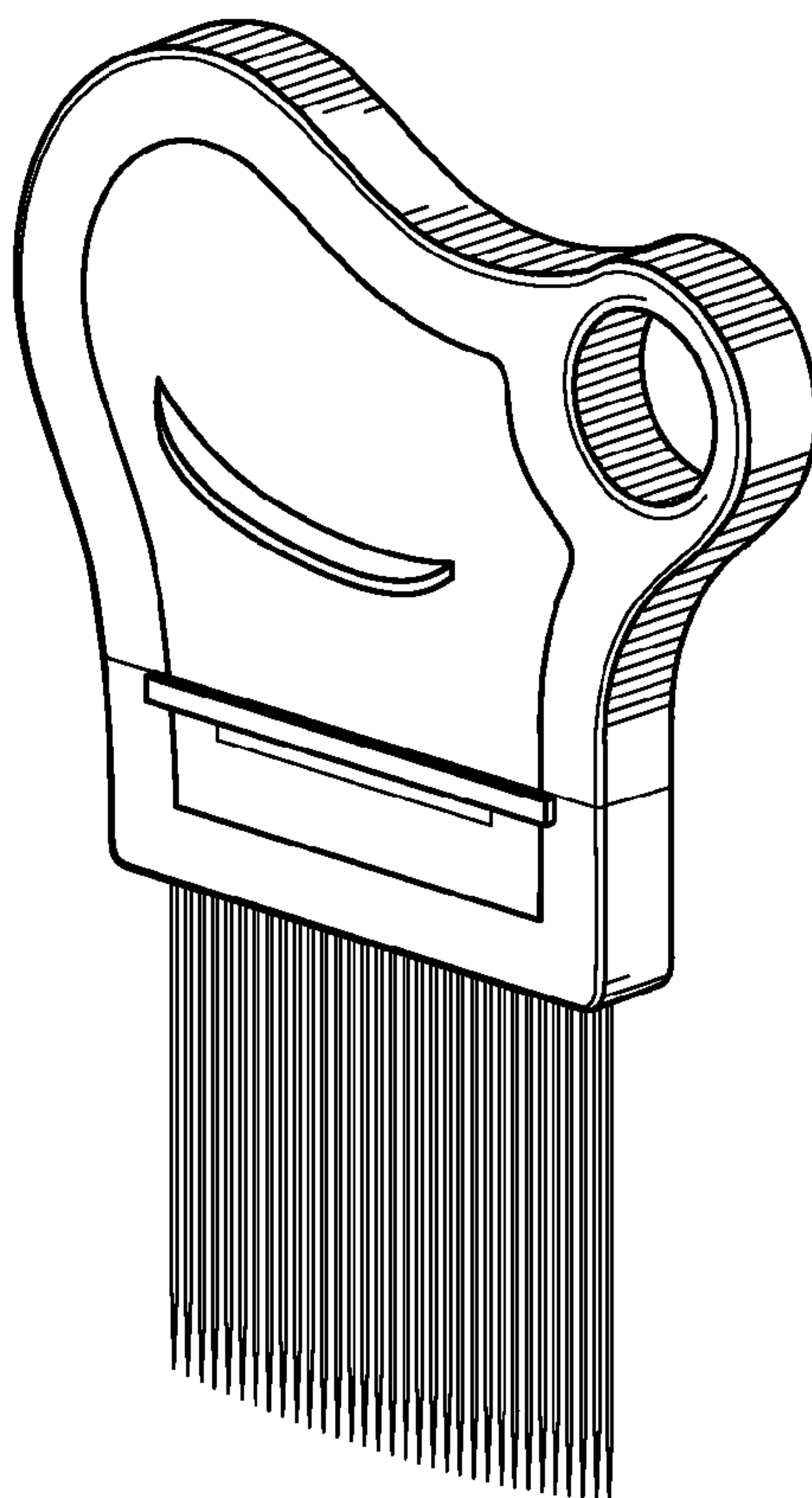


Fig. 1

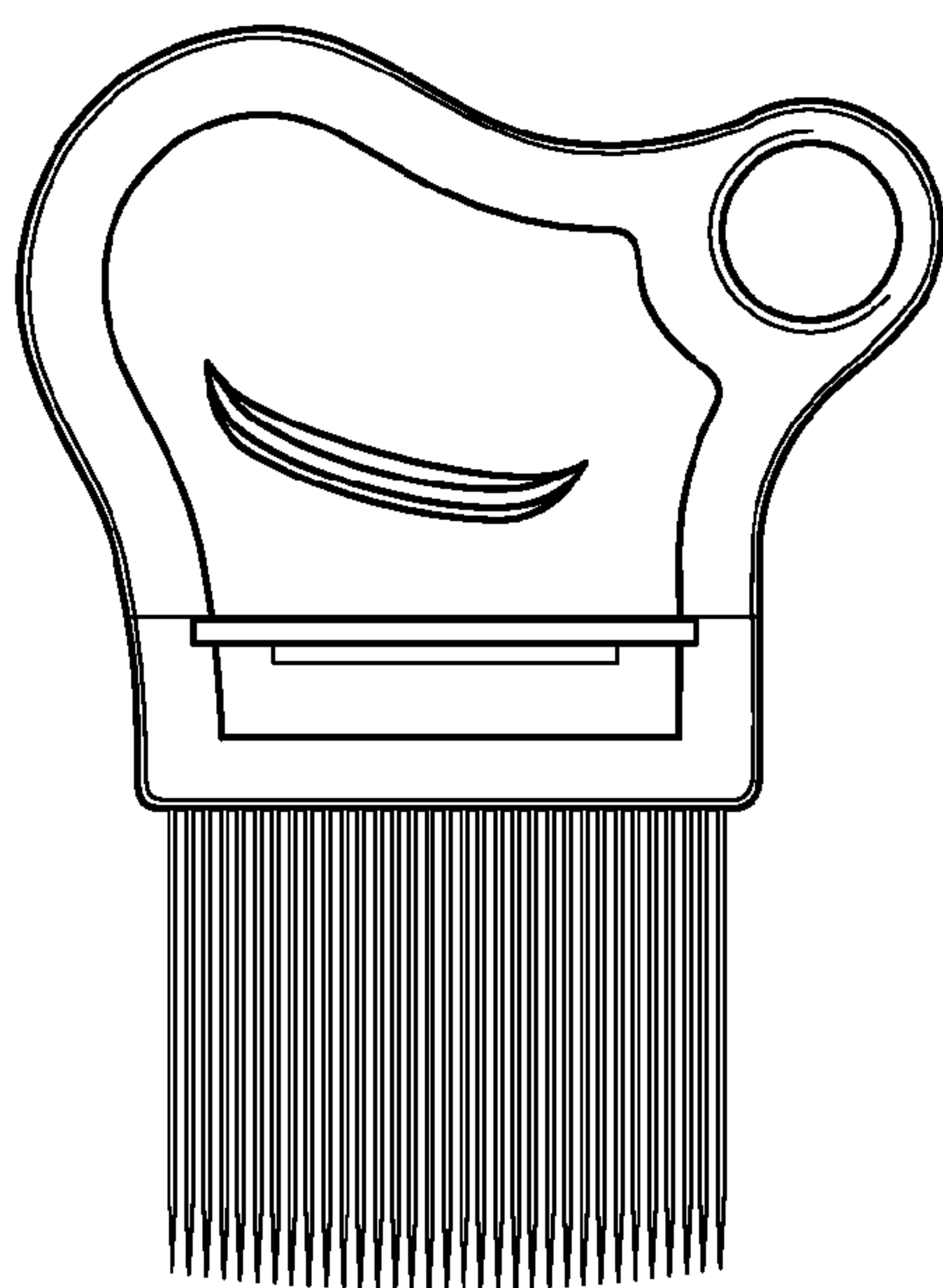


Fig. 2

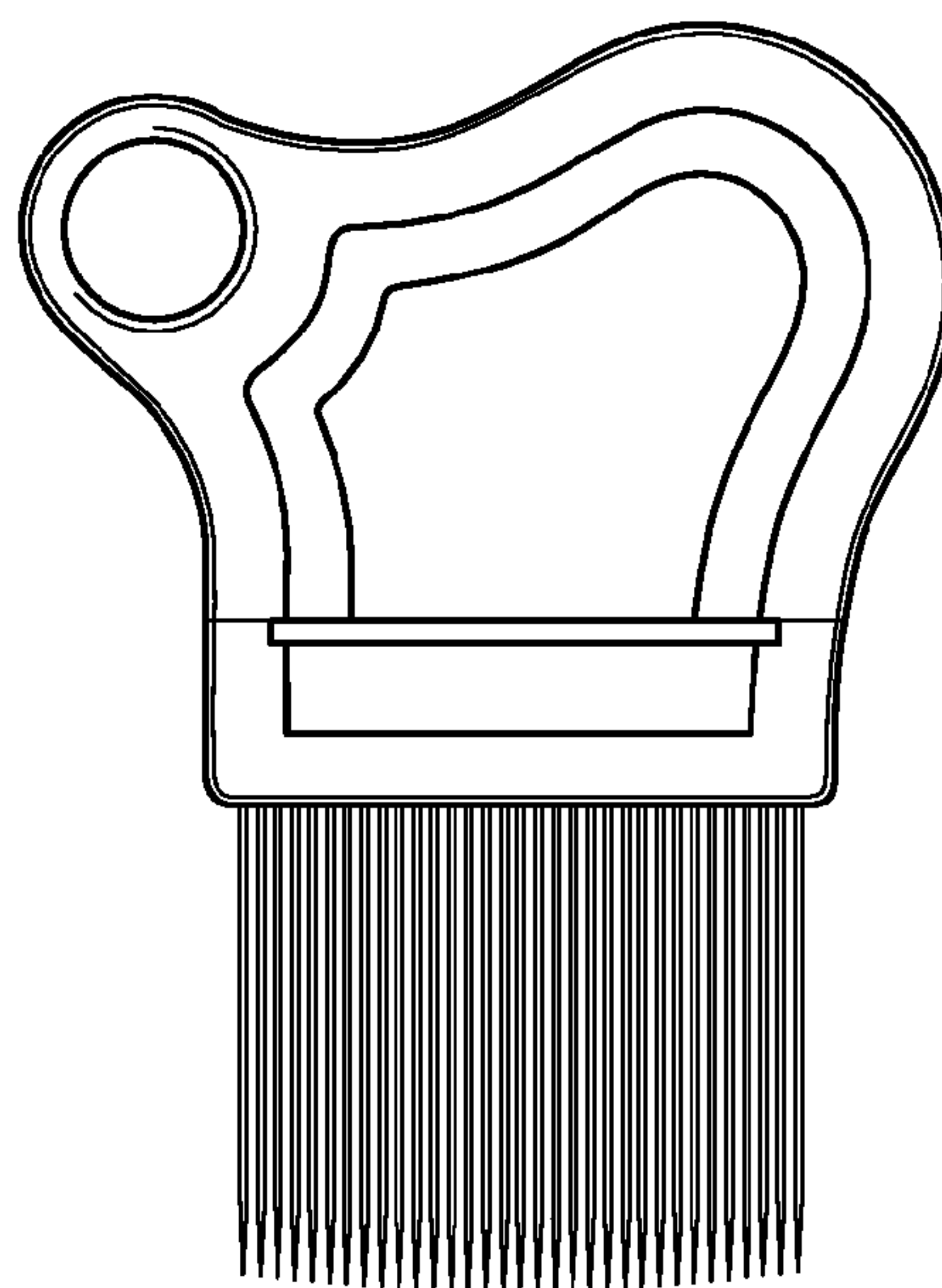


Fig. 3

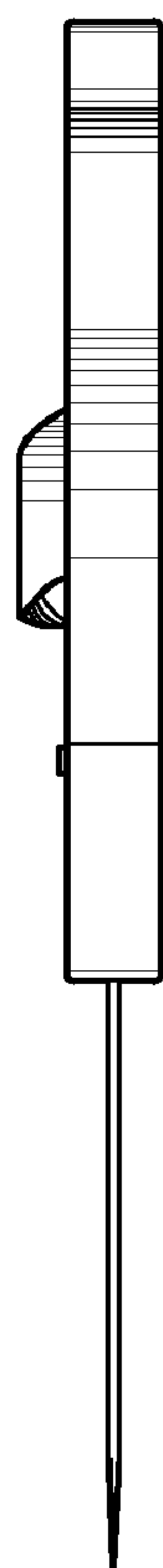


Fig. 4

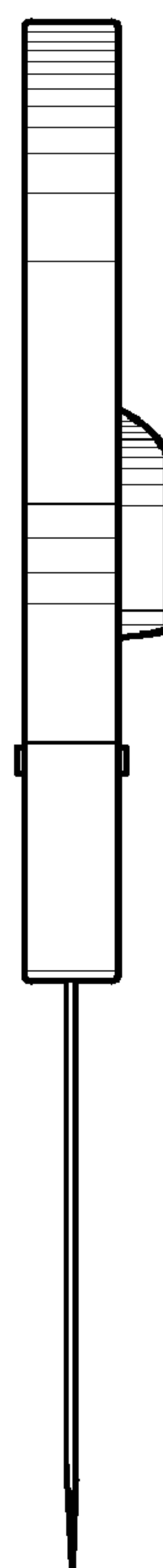


Fig. 5

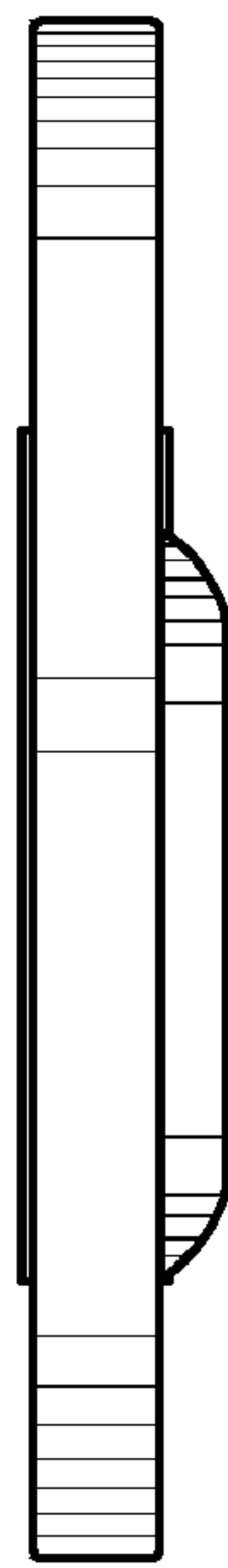


Fig. 6

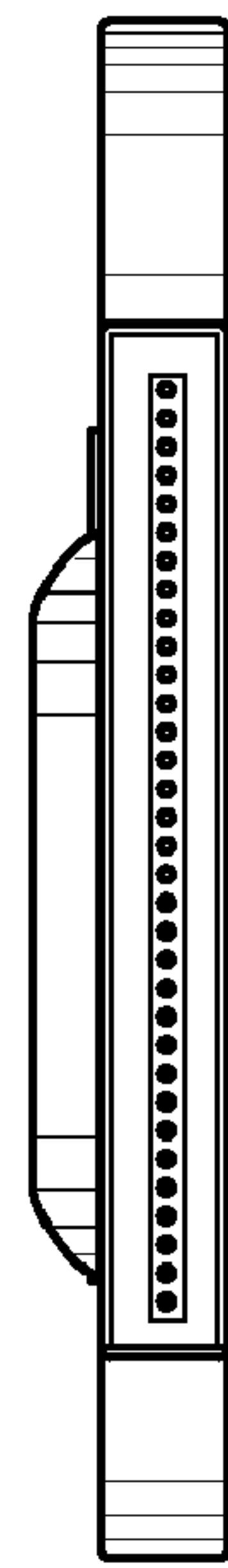


Fig. 7