

US00D561391S

(12) **United States Design Patent**  
**Takada**

(10) **Patent No.:** **US D561,391 S**  
(45) **Date of Patent:** **\*\* Feb. 5, 2008**

(54) **HAIR TREATMENT ACCELERATING DEVICE**

(75) Inventor: **Tomoaki Takada**, Kyoto (JP)

(73) Assignee: **Takara Belmont Corporation**, Osaka-shi (JP)

(\*\*) Term: **14 Years**

(21) Appl. No.: **29/270,627**

(22) Filed: **Dec. 29, 2006**

(30) **Foreign Application Priority Data**

Jul. 7, 2006 (JP) ..... 2006-018066

(51) **LOC (8) Cl.** ..... **28-03**

(52) **U.S. Cl.** ..... **D28/10; D28/17**

(58) **Field of Classification Search** ..... D28/10,  
D28/11, 12, 15, 16, 17, 20; 132/212; 392/380-381;  
34/99

See application file for complete search history.

(56) **References Cited**

**U.S. PATENT DOCUMENTS**

2,201,229	A *	5/1940	Gross	.....	34/99
4,118,874	A *	10/1978	Morane	.....	34/99
4,766,913	A *	8/1988	Klein	.....	34/99
D409,331	S *	5/1999	Minami	.....	D28/17
6,442,340	B1 *	8/2002	Shimizu	.....	D28/17
D497,687	S *	10/2004	Takada	.....	D28/17

D501,061 S \* 1/2005 Patzak ..... D28/17

**FOREIGN PATENT DOCUMENTS**

JP 04129503 A \* 4/1992

\* cited by examiner

*Primary Examiner*—Jennifer Rivard

(74) *Attorney, Agent, or Firm*—Kratz, Quintos & Hanson, LLP

(57) **CLAIM**

The ornamental design for a hair treatment accelerating device, as shown and described.

**DESCRIPTION**

FIG. 1 is a plan view of the hair treatment accelerating device of the present invention;

FIG. 2 is a front view thereof;

FIG. 3 is a bottom view thereof;

FIG. 4 is a back view thereof;

FIG. 5 is a left side view thereof;

FIG. 6 is a right side view thereof;

FIG. 7 is a right side view thereof in which the front and rear hoods are swung in the forward position; and,

FIG. 8 is a right side view thereof in which the front and rear hoods are swung in the back position.

**1 Claim, 8 Drawing Sheets**

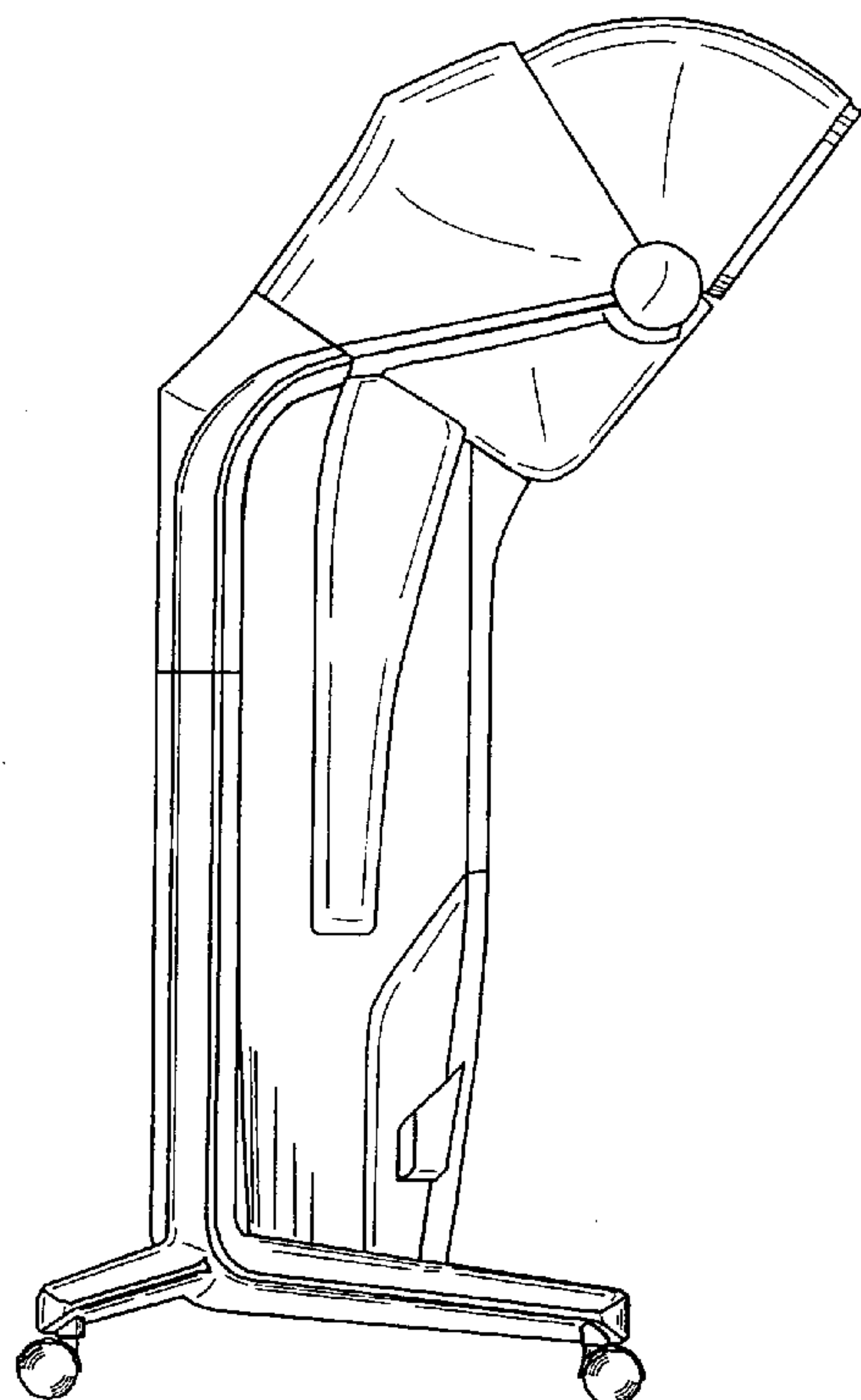
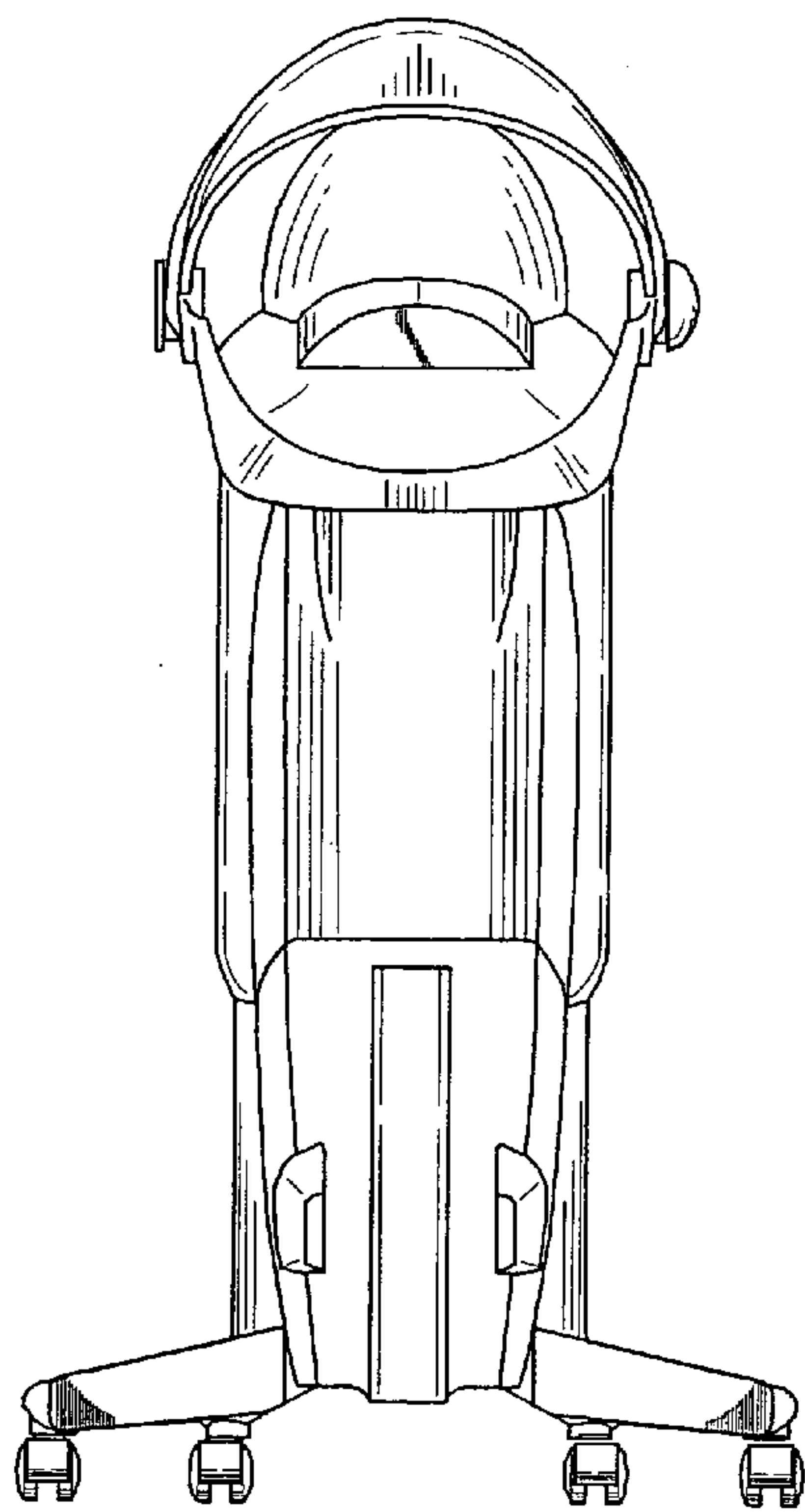


FIG. 1

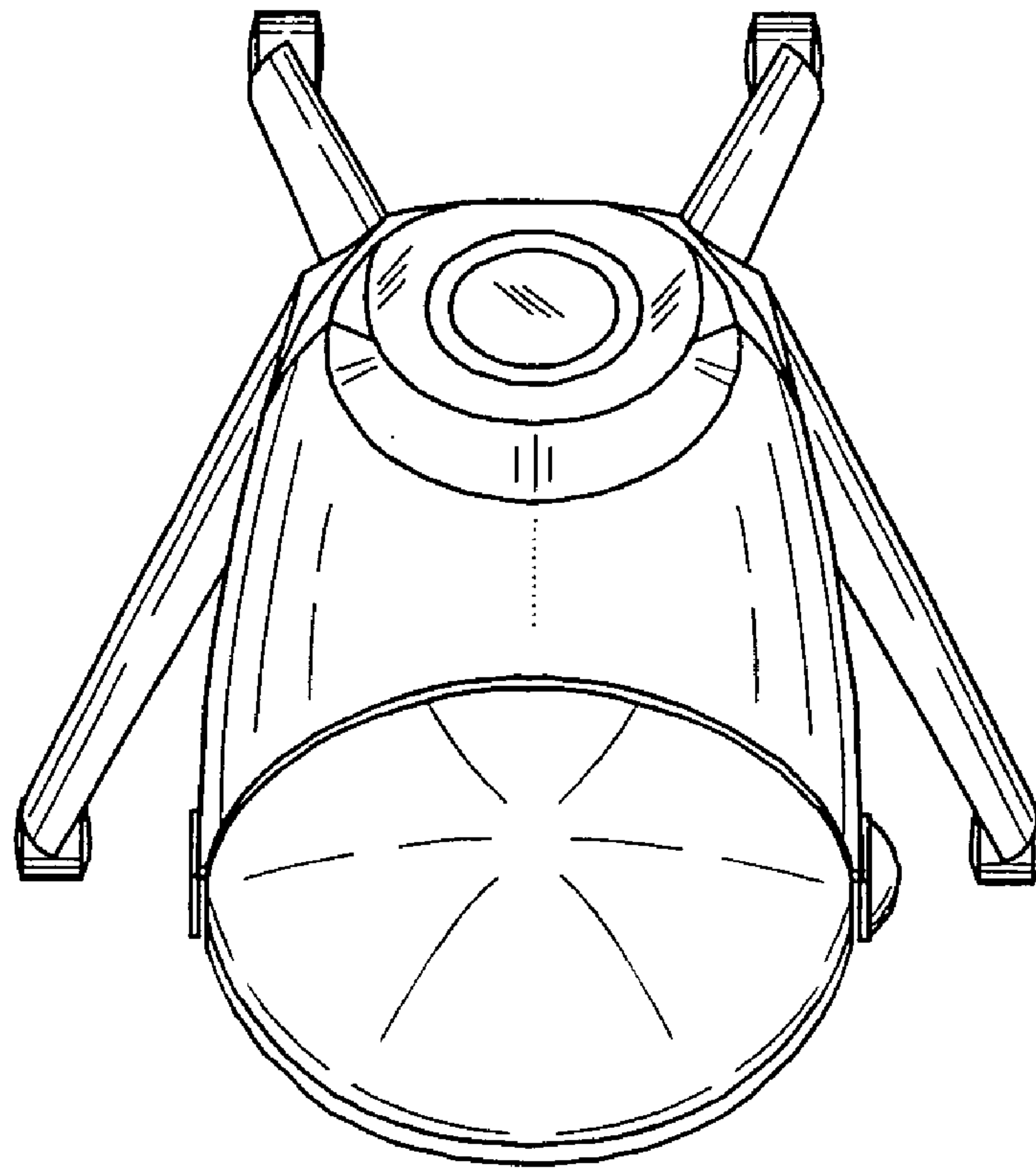


FIG. 2

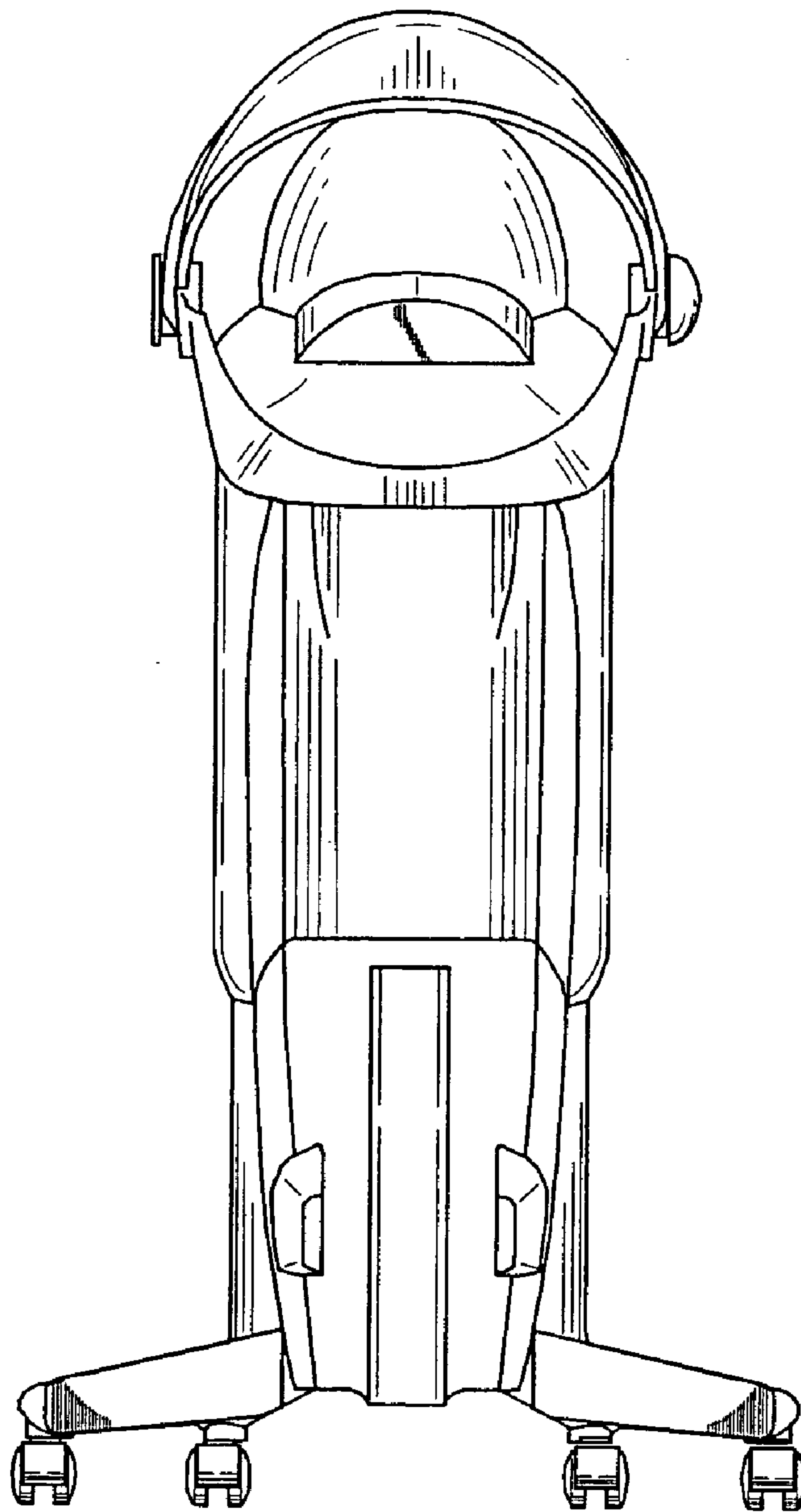


FIG. 3

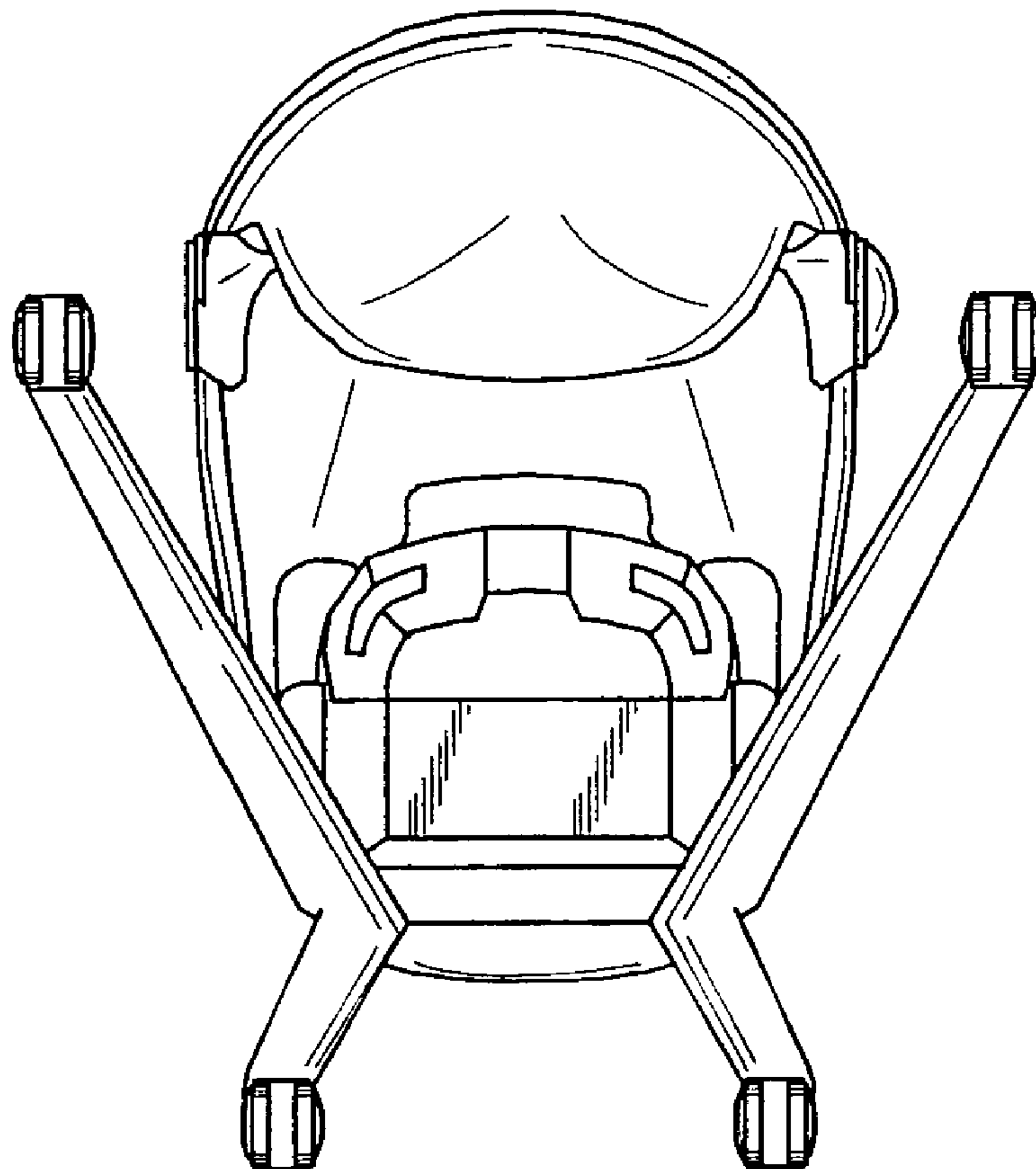


FIG. 4

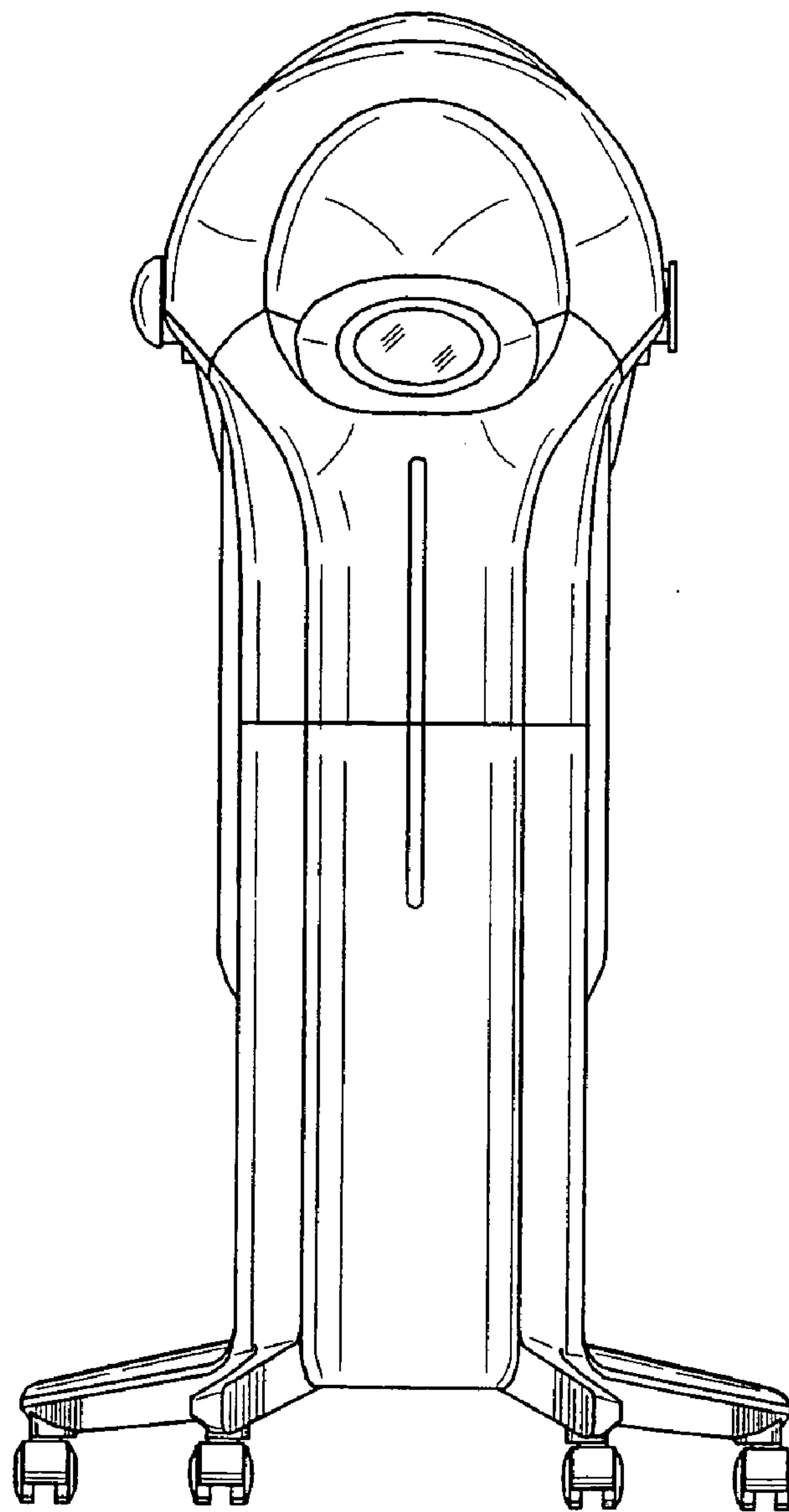


FIG. 5

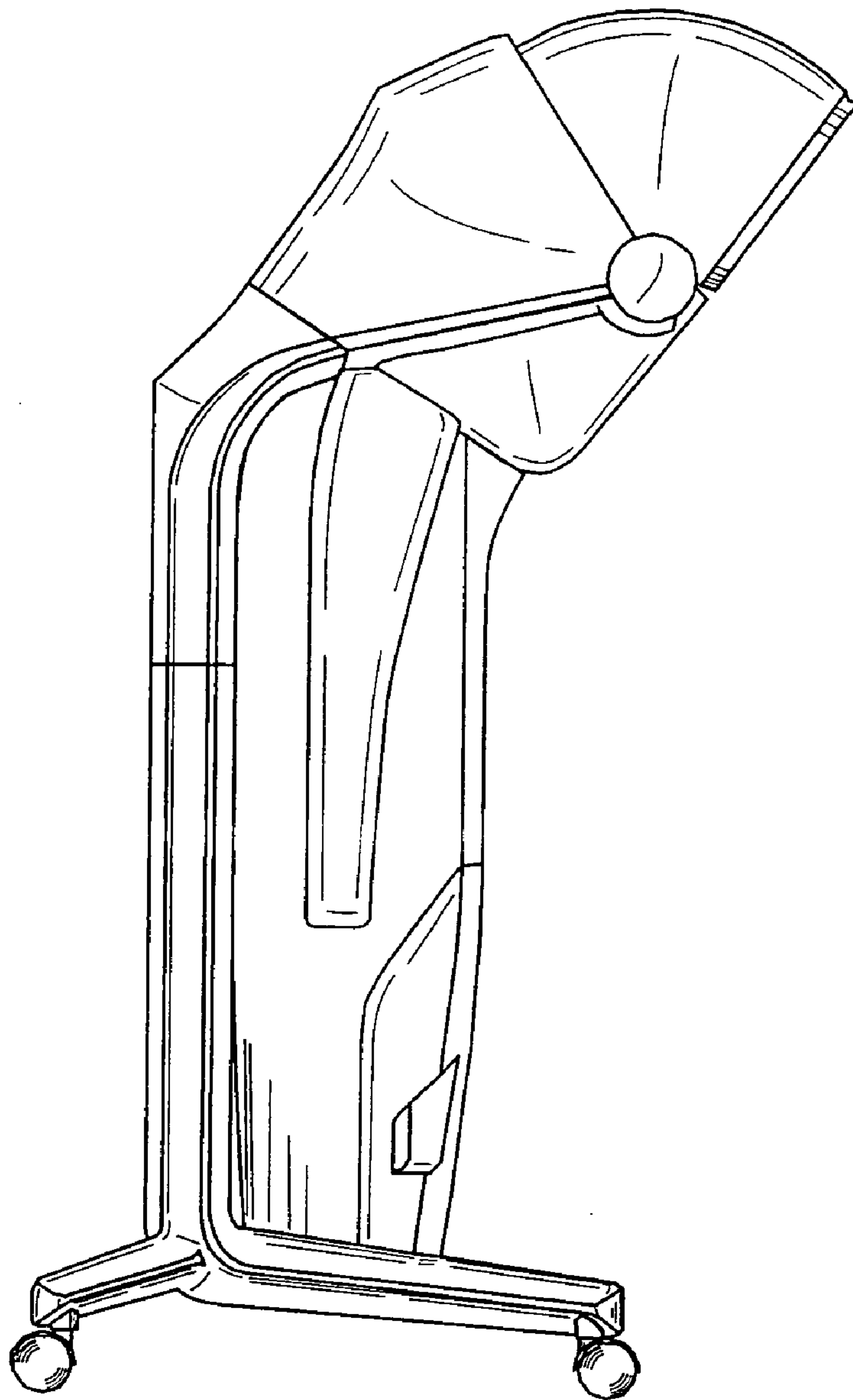


FIG. 6

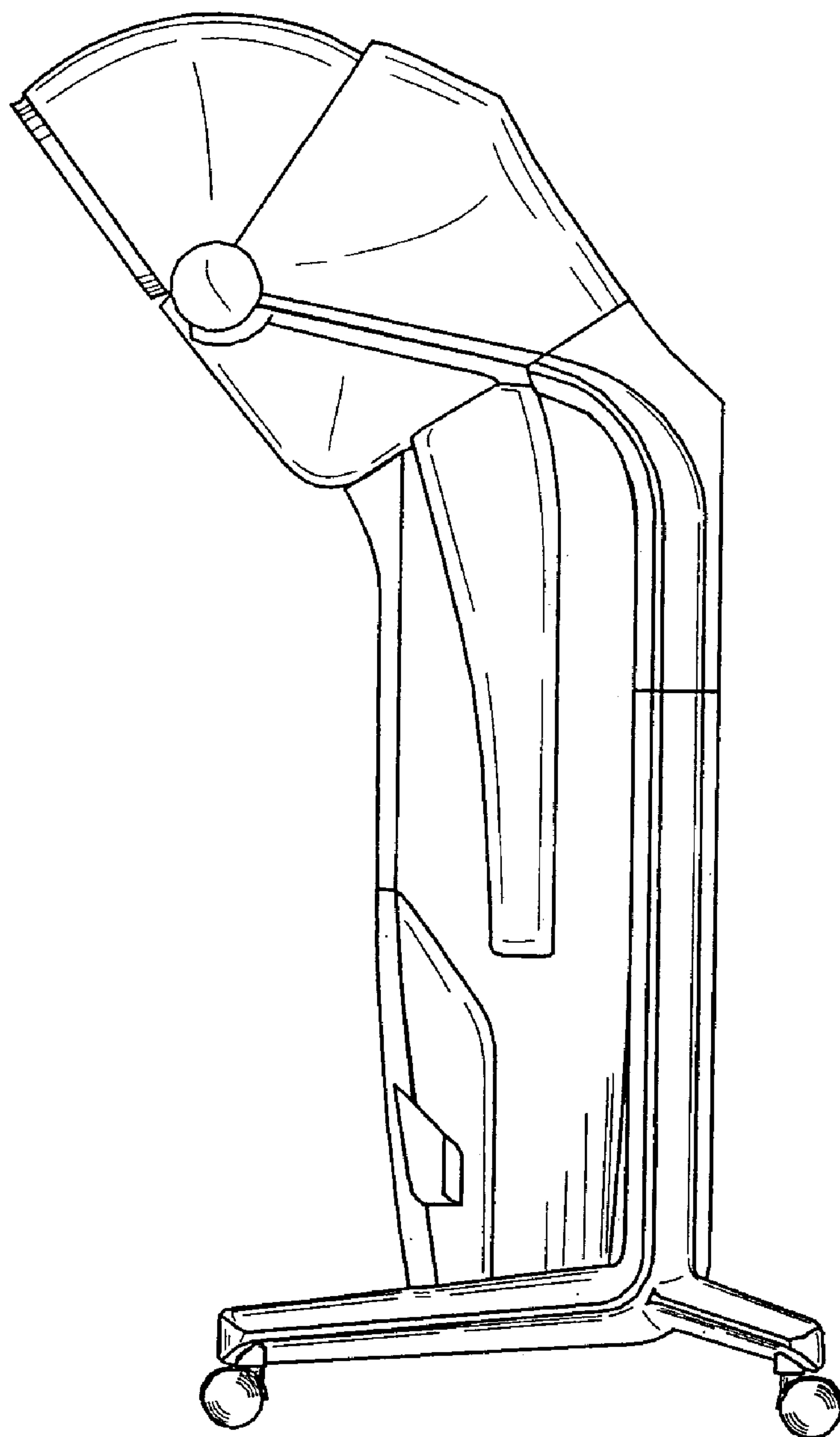




FIG. 7

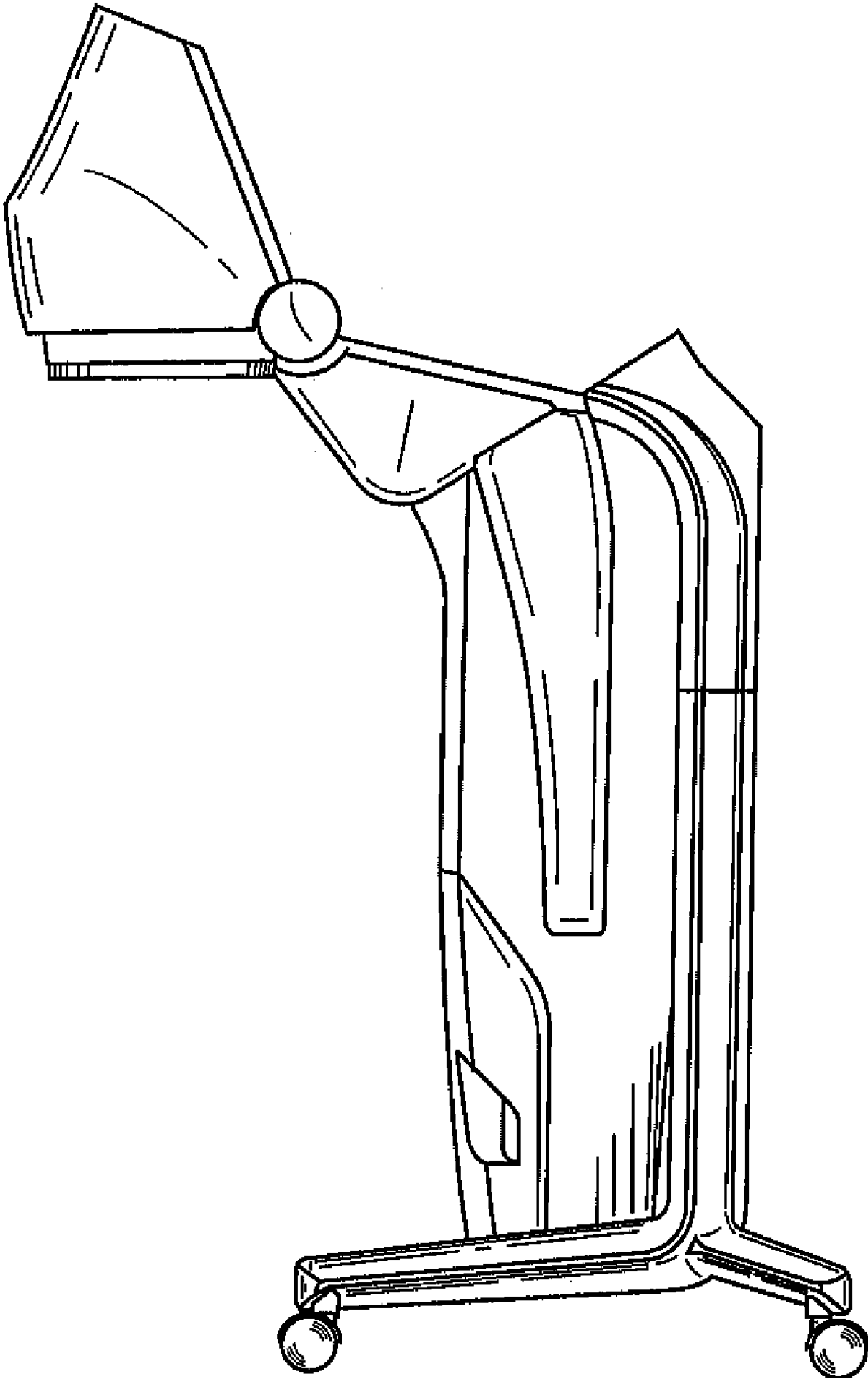




FIG. 8

