

US00D561387S

(12) **United States Design Patent**  
**Kwok**

(10) **Patent No.:** **US D561,387 S**

(45) **Date of Patent:** **\*\* Feb. 5, 2008**

(54) **FLAME LIGHTER**

D397,498 S \* 8/1998 Segawa ..... D27/154  
D493,912 S \* 8/2004 Wong ..... D27/141  
D553,291 S \* 10/2007 Kwok et al. .... D27/154

(75) Inventor: **Yuen Tung Kwok**, Kowloon (HK)

(73) Assignee: **Kwong Chak Fat Manufactory Ltd.**,  
Hong Kong (HK)

\* cited by examiner

*Primary Examiner*—Jennifer Rivard

(\*\*) Term: **14 Years**

(57) **CLAIM**

(21) Appl. No.: **29/280,778**

The ornamental design for a flame lighter, as shown.

(22) Filed: **Jun. 6, 2007**

**DESCRIPTION**

(51) **LOC (8) Cl.** ..... **27-05**

FIG. 1 is a front elevational view of a flame lighter showing my new design;

(52) **U.S. Cl.** ..... **D27/154**

FIG. 2 is a rear elevational view thereof;

(58) **Field of Classification Search** ..... 431/129,

FIG. 3 is a left side view thereof;

431/143, 152–153, 253–256, 273–277; D27/139–161  
See application file for complete search history.

FIG. 4 is a right side view thereof;

FIG. 5 is a top plan view thereof;

(56) **References Cited**

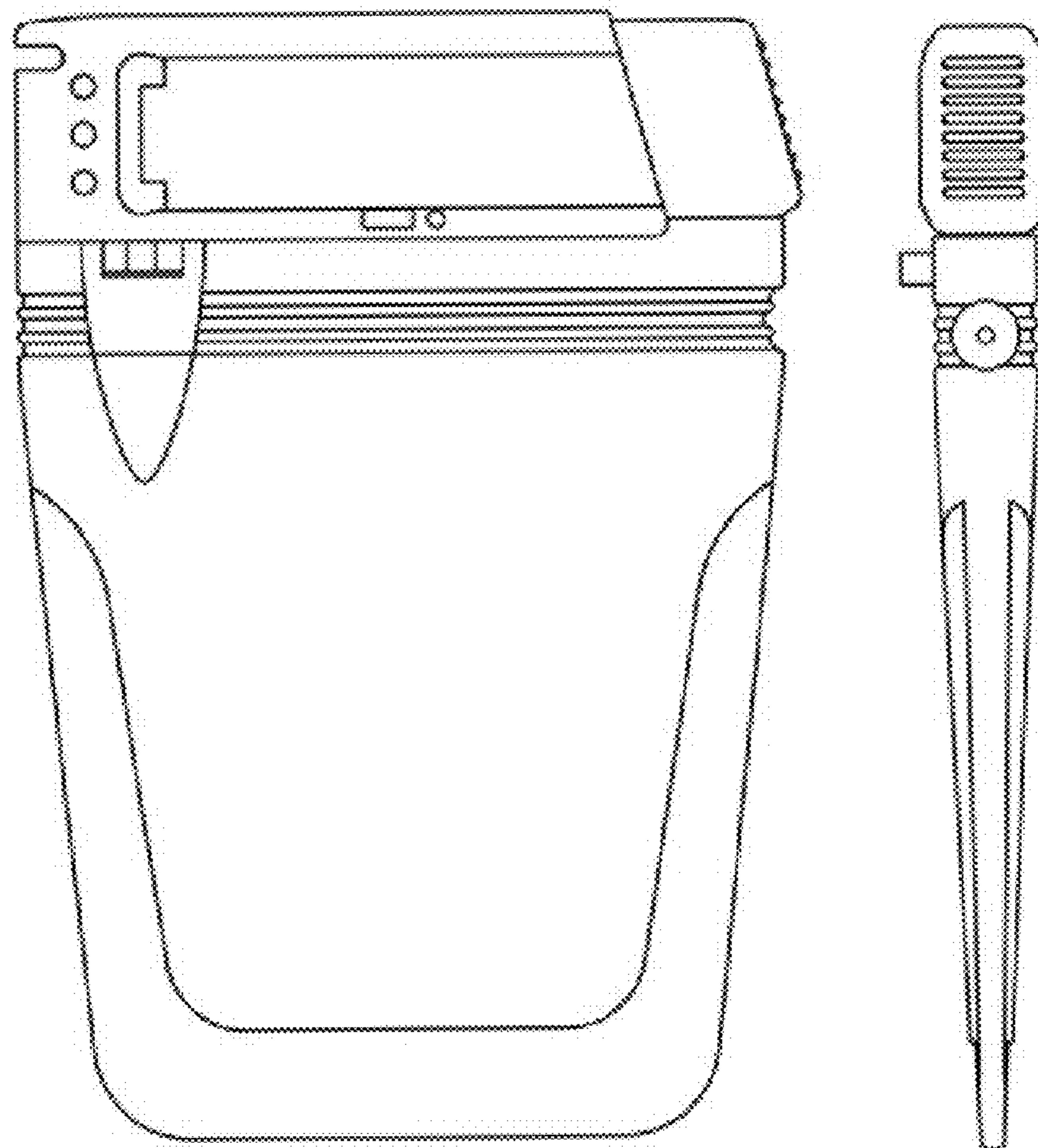
**U.S. PATENT DOCUMENTS**

FIG. 6 is a bottom plan view thereof; and,

FIG. 7 is a perspective view thereof.

D291,493 S \* 8/1987 Endelson ..... D27/154  
D341,675 S \* 11/1993 Czubernat et al. .... D27/148  
D347,083 S \* 5/1994 Ichikawa ..... D27/159

**1 Claim, 2 Drawing Sheets**



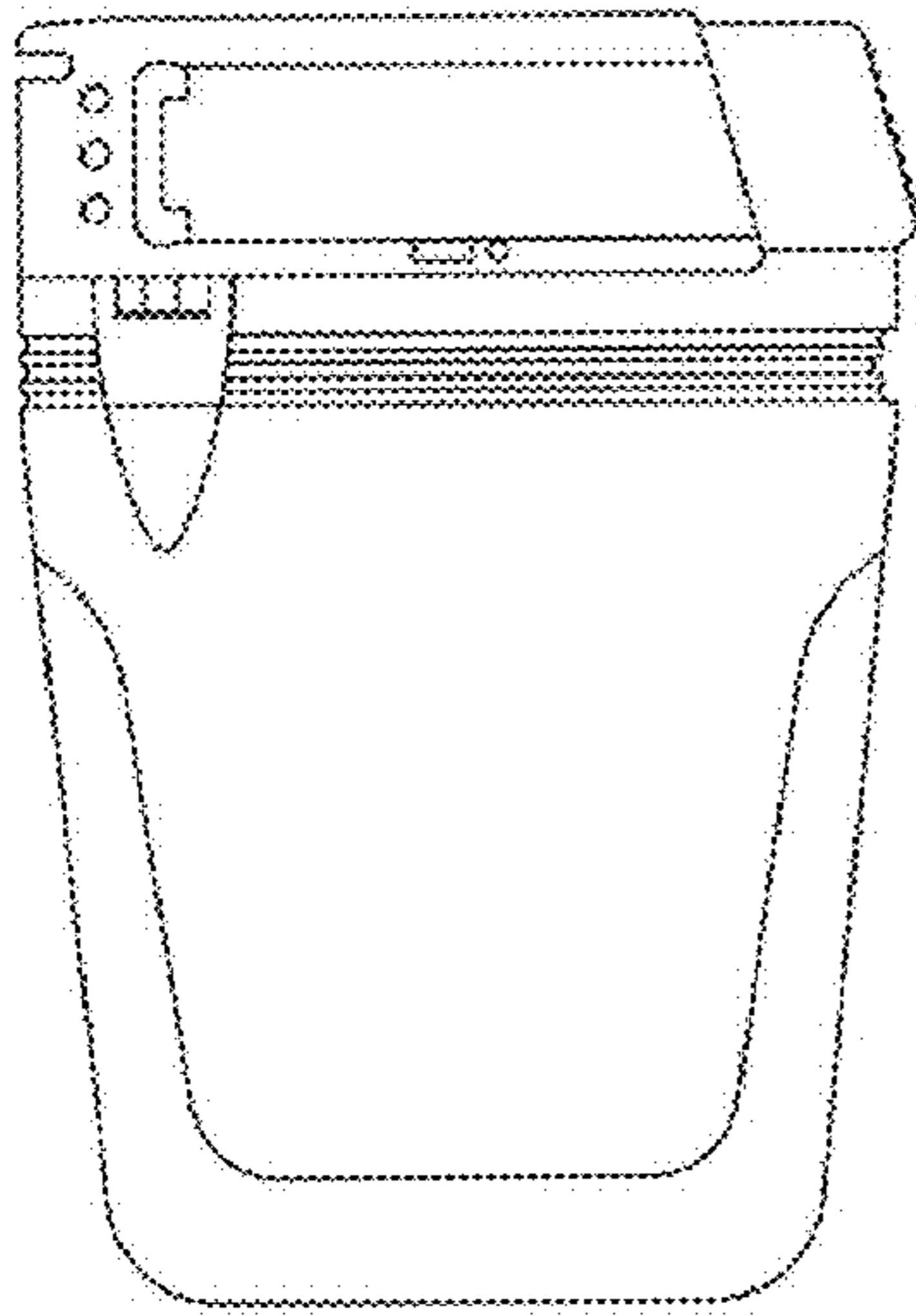


FIG. 1

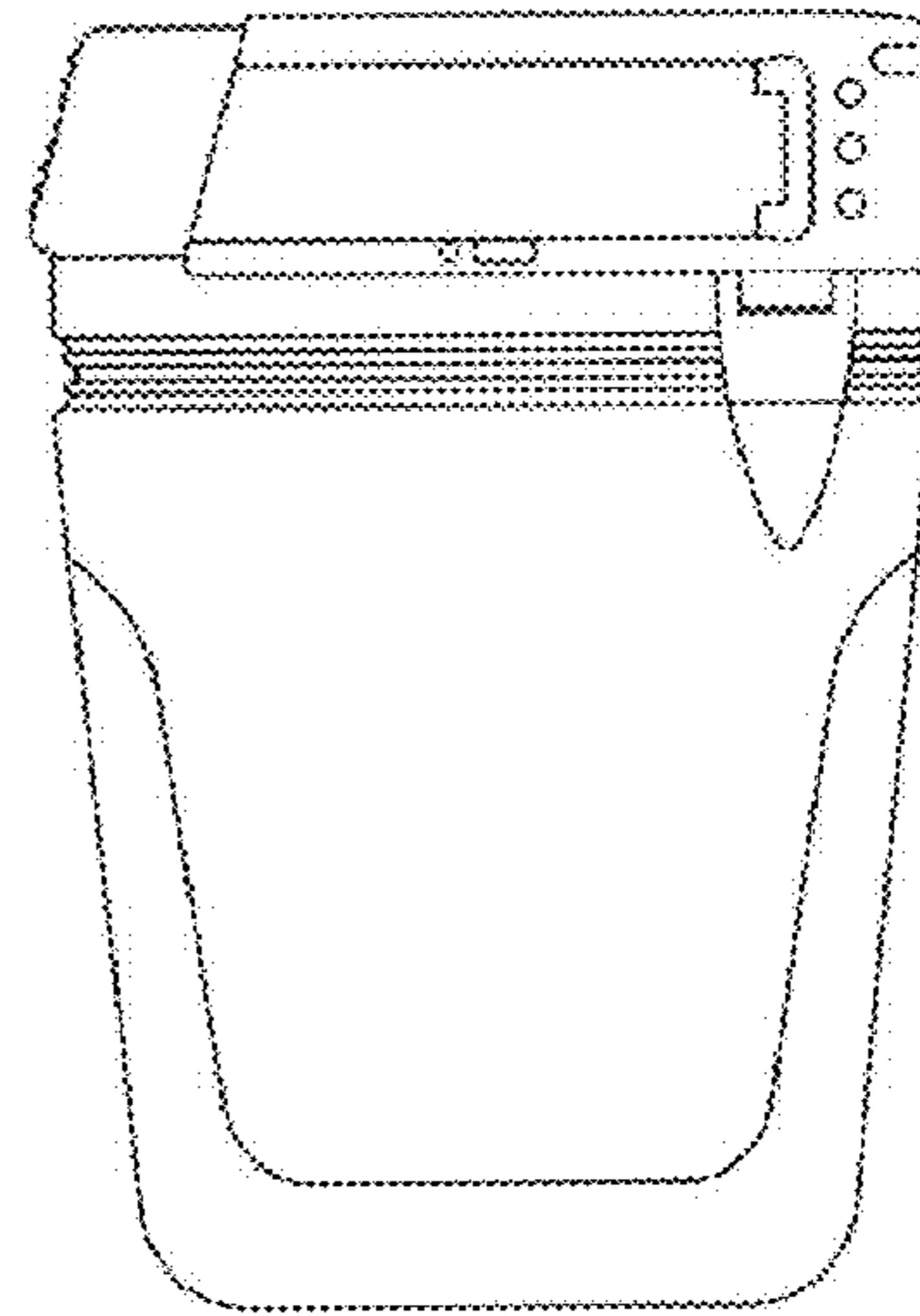


FIG. 2

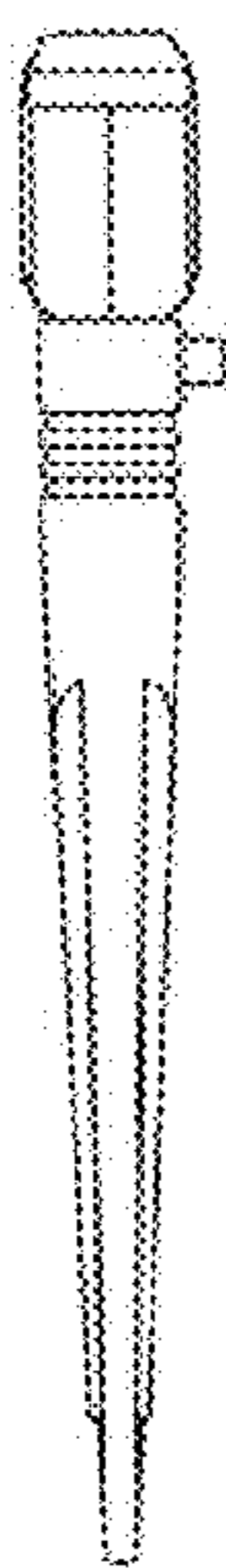


FIG. 3

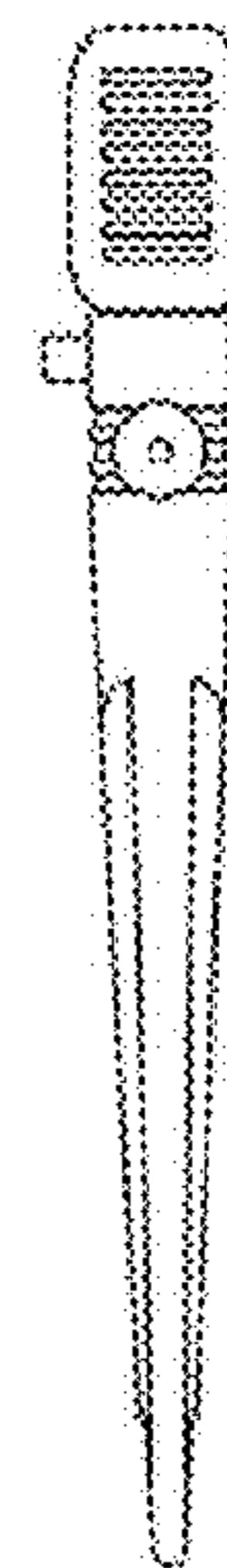


FIG. 4

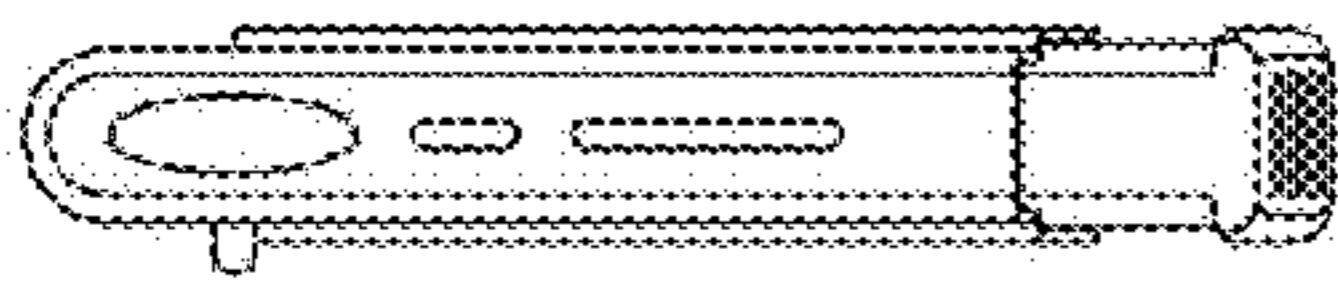


FIG. 5

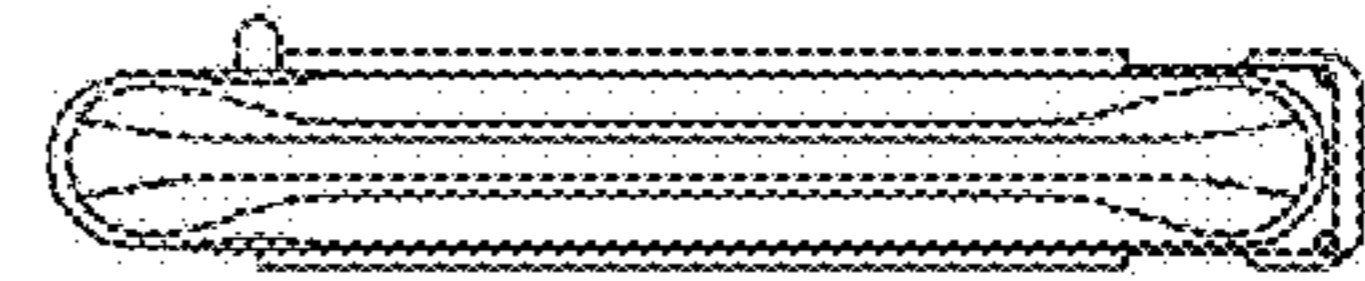


FIG. 6

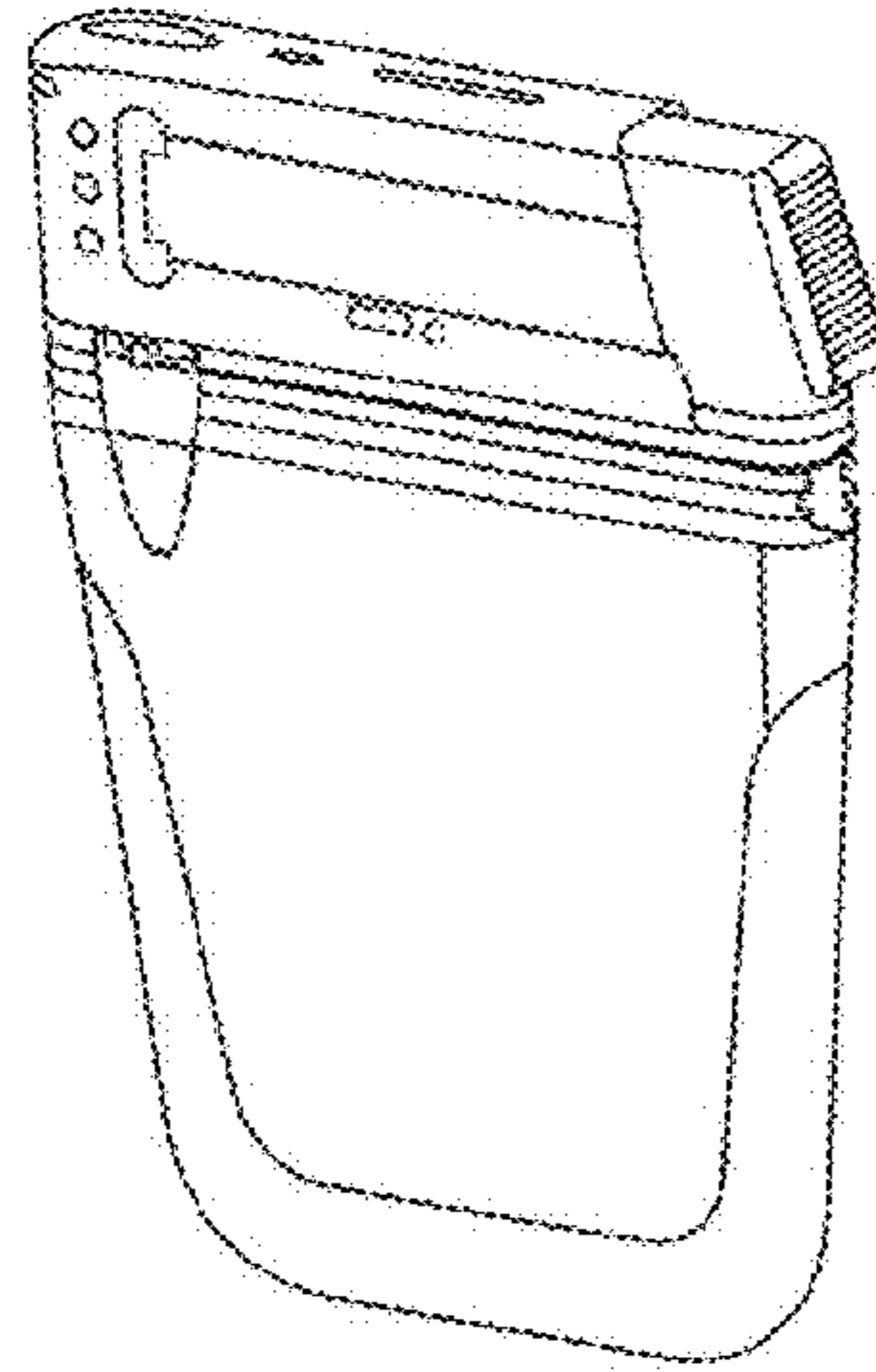


FIG. 7