



US00D561386S

(12) **United States Design Patent**
Itaya et al.

(10) **Patent No.:** **US D561,386 S**
(45) **Date of Patent:** **** Feb. 5, 2008**

(54) **BASE FOR FLUORESCENT LAMP**

(75) Inventors: **Kenji Itaya**, Kadoma (JP); **Yoshinori Kakuno**, Kadoma (JP); **Kouichi Katase**, Kadoma (JP); **Junichi Takahashi**, Kadoma (JP)

(73) Assignee: **Matsushita Electric Industrial Co., Ltd.**, Osaka (JP)

(**) Term: **14 Years**

(21) Appl. No.: **29/288,288**

(22) Filed: **Jun. 6, 2007**

(30) **Foreign Application Priority Data**

Jan. 31, 2007 (JP) 2007-002011

(51) **LOC (8) Cl.** **26-99**

(52) **U.S. Cl.** **D26/142**

(58) **Field of Classification Search** D26/1, D26/2, 3, 26, 42, 72, 79, 113, 114, 118, 124, D26/128, 131, 134, 138, 140, 141, 142, 143, D26/152, 153; D13/136; 313/315; 362/373, 362/222, 217, 260, 247, 296, 341, 344, 347, 362/609, 614, 581, 516, 649

See application file for complete search history.

(56) **References Cited**

U.S. PATENT DOCUMENTS

2,288,376 A * 6/1942 Tuppen 315/326
2,296,114 A * 9/1942 Mueller et al. 439/238
2,298,824 A * 10/1942 Darley 362/219
2,488,677 A * 11/1949 McCann 439/243
D210,289 S * 2/1968 Tecton D26/3
D214,911 S * 8/1969 Morgan D26/1
3,558,873 A * 1/1971 Smith 362/223
3,976,986 A * 8/1976 Zabroski 340/656
4,240,130 A * 12/1980 Stilling 362/217
4,906,891 A * 3/1990 Takagi et al. 313/318.02
4,994,943 A * 2/1991 Aspenwall 362/219
5,006,970 A * 4/1991 Mackiewicz 362/217
5,158,359 A * 10/1992 Penturelli 362/221

5,184,882 A * 2/1993 Davenport et al. 362/554
5,221,139 A * 6/1993 Belfer 362/225
5,260,859 A * 11/1993 Lettenmayer 362/219
5,551,643 A * 9/1996 Chapin 241/99
5,768,663 A * 6/1998 Lin 399/220
D436,078 S * 1/2001 Korte D13/134
D481,471 S * 10/2003 Farmer D26/3
6,726,496 B1 * 4/2004 Reich et al. 439/227
D501,569 S 2/2005 Iida et al.
D503,988 S 4/2005 Iida et al.
D510,448 S 10/2005 Egawa
D528,229 S * 9/2006 Kakuno et al. D26/2
2003/0040225 A1 * 2/2003 Wong 439/666

FOREIGN PATENT DOCUMENTS

JP D 969870 12/1996
KR 25861-0005 8/2003

OTHER PUBLICATIONS

Itaya et al., U.S. Appl. No. 29/288,290, entitled "Fluorescent Lamp," filed Jun. 6, 2007.

Itaya et al., U.S. Appl. No. 29/288,321, entitled "Fluorescent Lamp," filed Jun. 6, 2007.

* cited by examiner

Primary Examiner—Freda S. Nunn

Assistant Examiner—Kevin K Rudzinski

(74) *Attorney, Agent, or Firm*—Brinks Hofer Gilson & Lione

(57) **CLAIM**

We claim the ornamental design for a base for fluorescent lamp, as shown and described.

DESCRIPTION

FIG. 1 is a front perspective view of a base for fluorescent lamp of the present invention;

FIG. 2 is a front view thereof;

FIG. 3 is a rear view thereof;

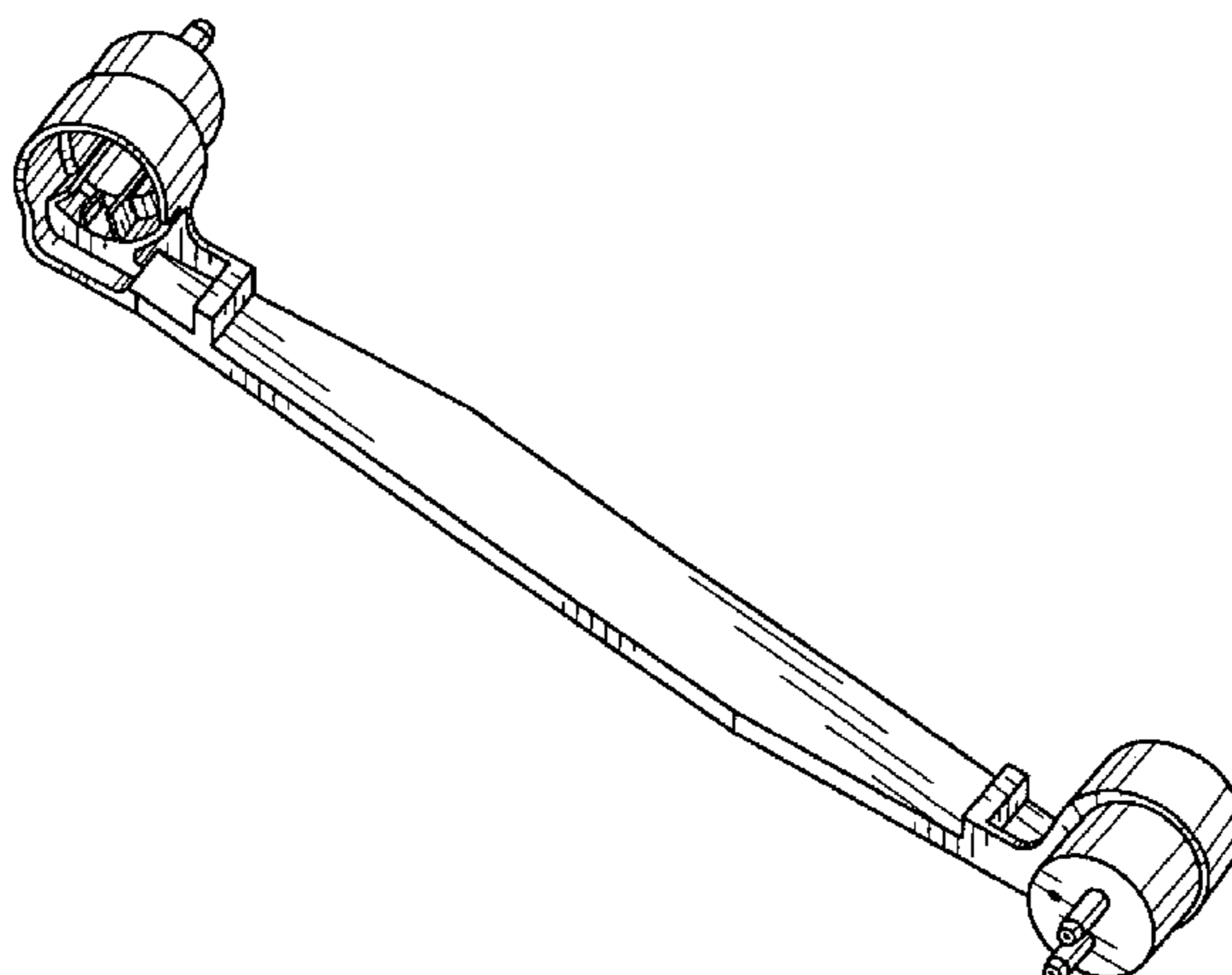
FIG. 4 is a first side view thereof;

FIG. 5 is a second side view thereof;

FIG. 6 is a top view thereof; and,

FIG. 7 is a bottom view thereof.

1 Claim, 2 Drawing Sheets



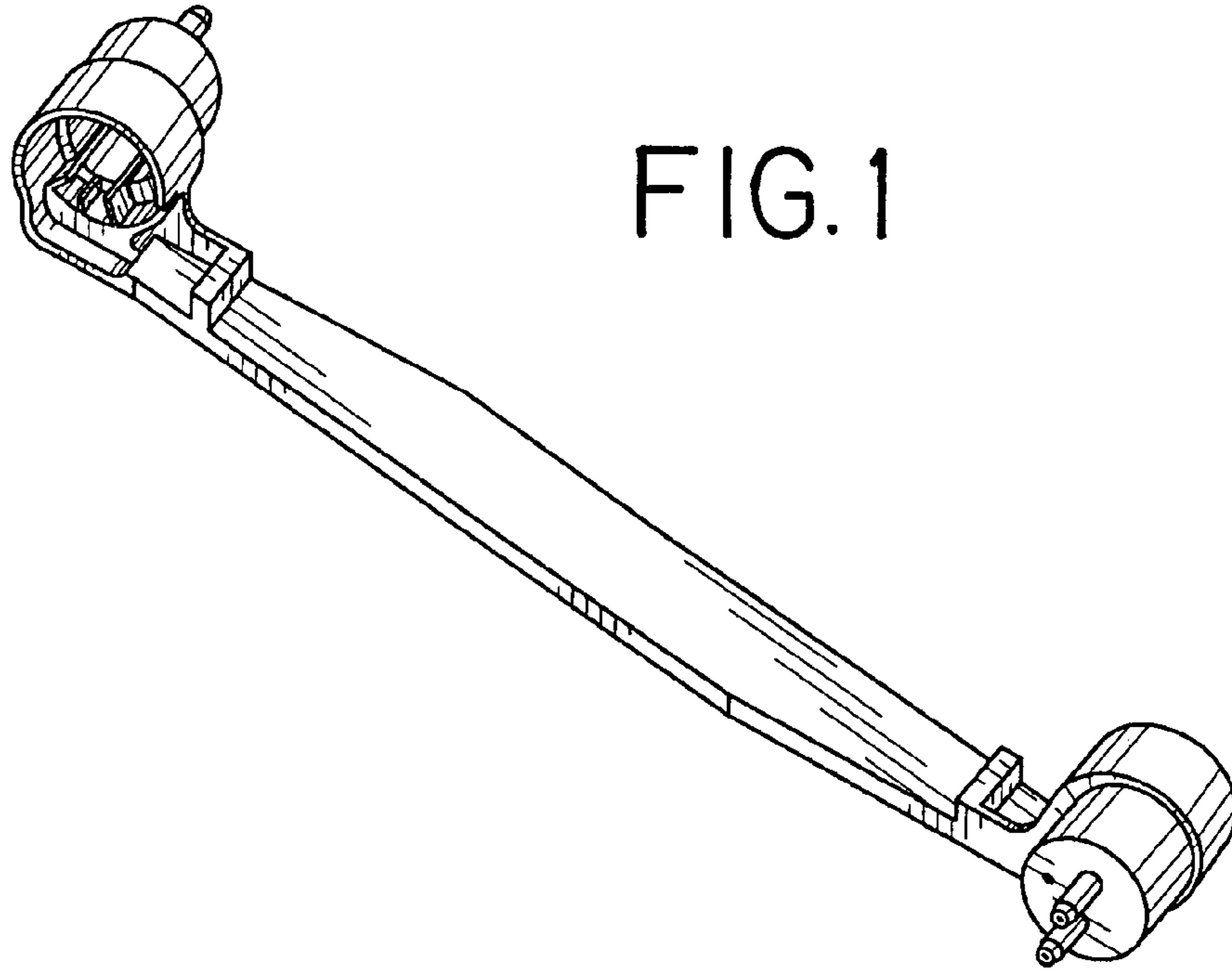


FIG. 1

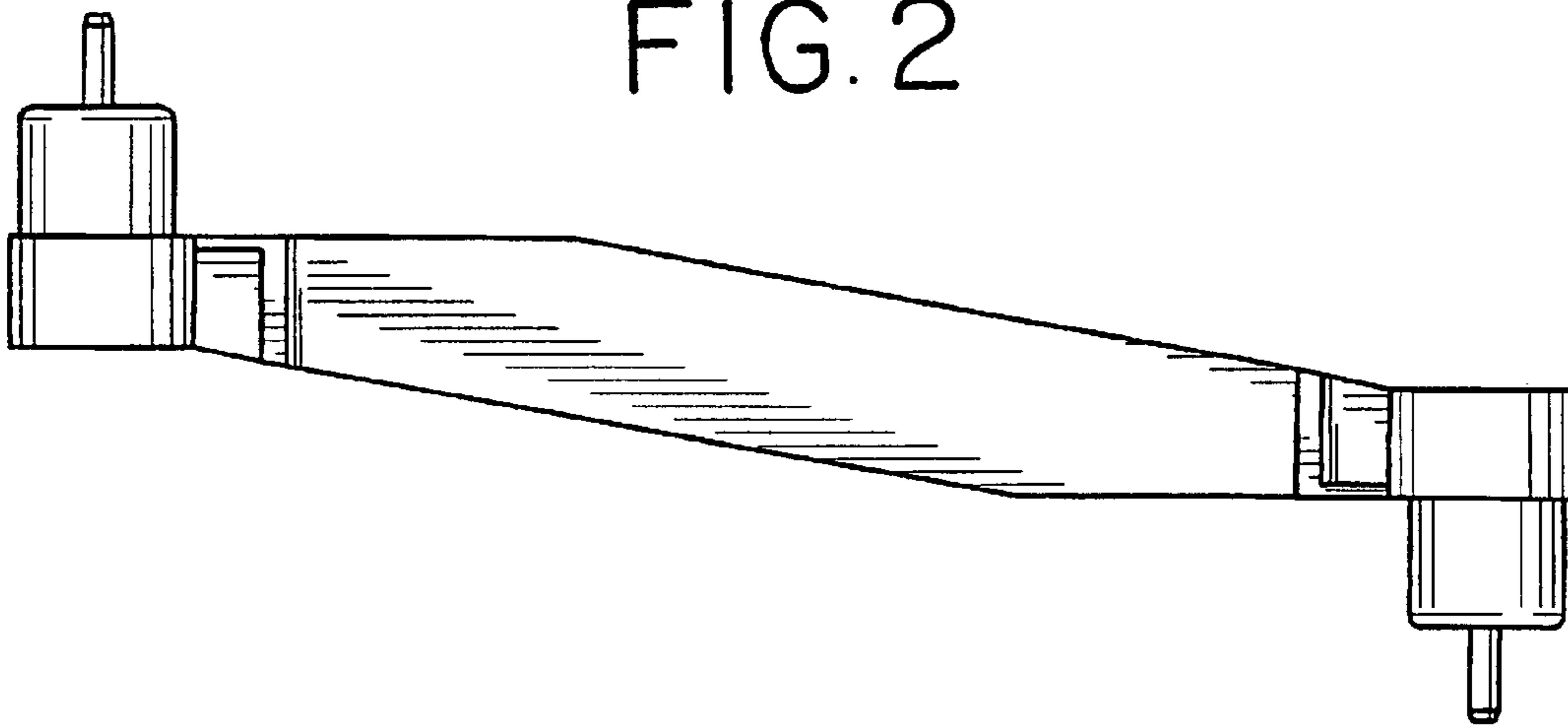


FIG. 2

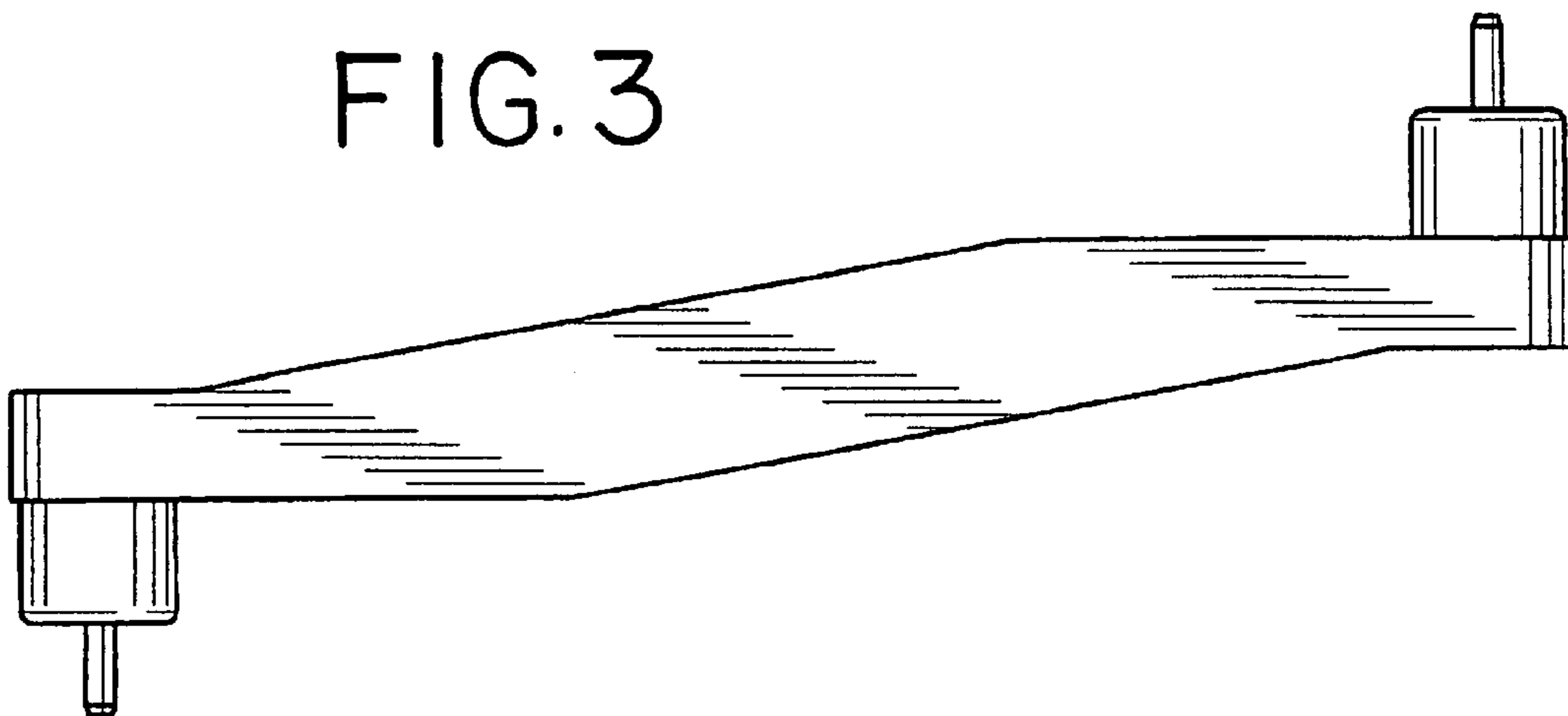


FIG. 3

FIG. 4

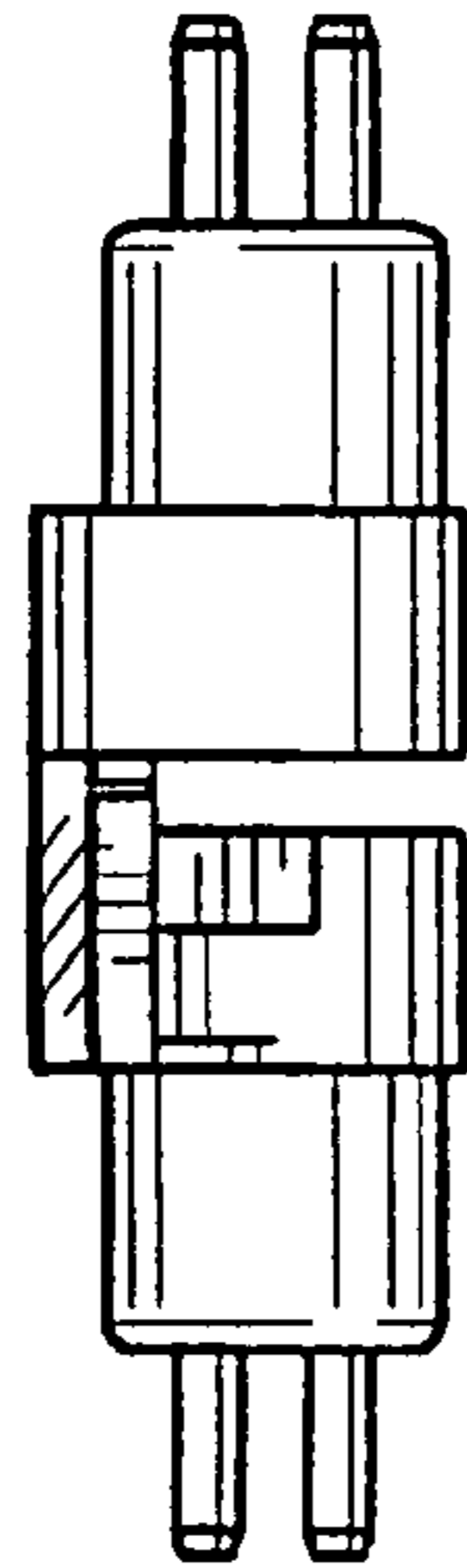


FIG. 5

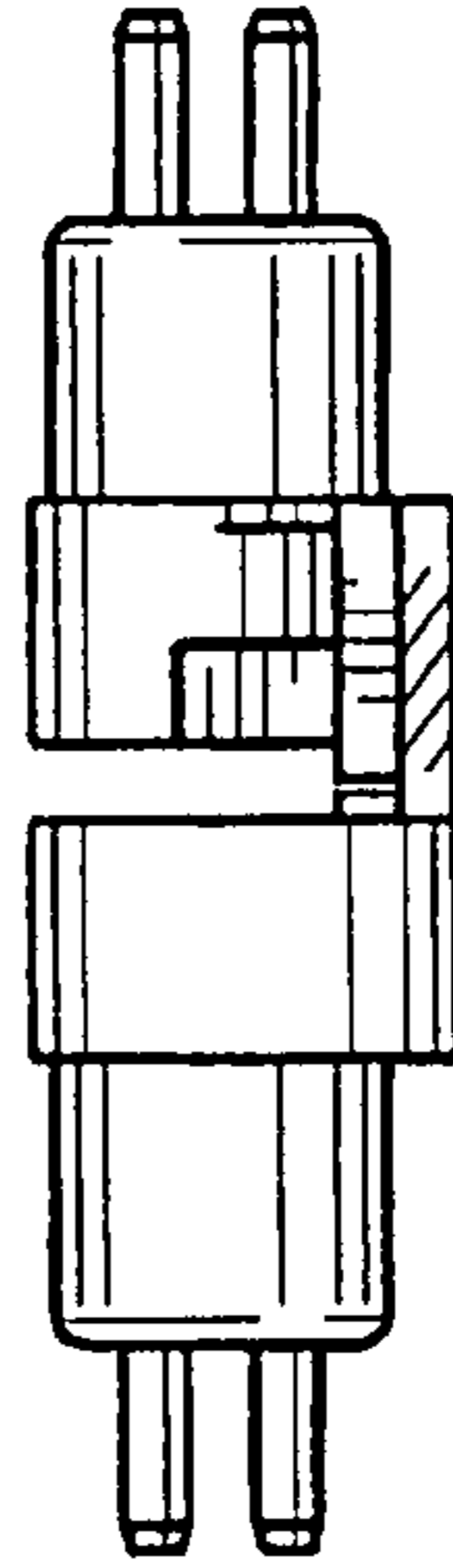


FIG. 6

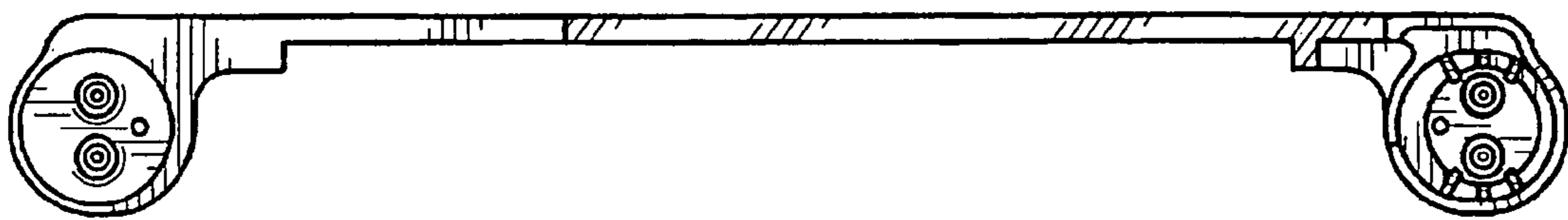


FIG. 7

