



US00D561384S

(12) **United States Design Patent**
Hukle et al.

(10) **Patent No.:** **US D561,384 S**

(45) **Date of Patent:** **** Feb. 5, 2008**

(54) **LUMINAIRE LENS AND BAFFLE**
(75) Inventors: **Grant Hukle**, Mantachie, MS (US);
Eugene Graff, Tupelo, MS (US);
Carlton Plunk, Saltillo, MS (US)

(73) Assignee: **Genlyte Thomas Group, LLC**,
Louisville, KY (US)

(**) Term: **14 Years**

(21) Appl. No.: **29/248,006**

(22) Filed: **Jul. 25, 2006**

(51) **LOC (8) Cl.** **26-99**

(52) **U.S. Cl.** **D26/120**

(58) **Field of Classification Search** D26/76,
D26/78, 74, 118, 121, 3, 72, 75, 77, 79, 81,
D26/85, 120, 122, 123, 124, 139, 142, 152,
D26/153; 362/145, 147, 148, 257, 290, 260,
362/317, 325, 330, 342, 364, 365
See application file for complete search history.

(56) **References Cited**

U.S. PATENT DOCUMENTS

D119,800 S *	4/1940	Carter, Jr.	D26/78
D122,861 S *	10/1940	Carter, Jr.	D26/77
D122,909 S *	10/1940	Stern	D26/78
2,299,276 A *	10/1942	Kirlin	362/342
2,485,133 A *	10/1949	Behnke	362/225
3,270,194 A *	8/1966	Lee	362/218
3,652,848 A *	3/1972	Miller et al.	362/218
5,117,342 A *	5/1992	Vlah	362/217
5,192,129 A *	3/1993	Figueroa	362/346
5,555,162 A *	9/1996	Shemitz	362/225
D374,301 S *	10/1996	Kleffman	D26/76
D377,231 S *	1/1997	Degelmann	D26/77
D384,769 S *	10/1997	Holten	D26/118
D397,819 S *	9/1998	Thorton, Jr.	D26/77

D399,019 S *	9/1998	Wilmotte	D26/77
D399,586 S *	10/1998	Ranieri et al.	D26/74
D399,587 S *	10/1998	Compton et al.	D26/76
D407,473 S *	3/1999	Wimbock	D23/328
5,944,411 A *	8/1999	Holten et al.	362/342
5,988,829 A *	11/1999	Holder	362/217
D480,172 S *	9/2003	Herst et al.	D26/121
D480,502 S *	10/2003	Herst et al.	D26/121
D481,820 S *	11/2003	Watt	D26/77
6,652,118 B2 *	11/2003	Shemitz et al.	362/225
D520,176 S *	5/2006	Herst et al.	D26/121
D533,958 S *	12/2006	Herst et al.	D26/121

* cited by examiner

Primary Examiner—Freda S. Nunn

Assistant Examiner—Kevin K Rudzinski

(74) *Attorney, Agent, or Firm*—Alexander P. Brackett;
Middleton Reutlinger

(57) **CLAIM**

The ornamental design for a luminaire lens and baffle, as shown and described.

DESCRIPTION

FIG. 1 is a perspective view of our luminaire lens and baffle design;

FIG. 2 is a bottom plan view thereof;

FIG. 3 is a top plan view thereof;

FIG. 4 is a side elevational view thereof;

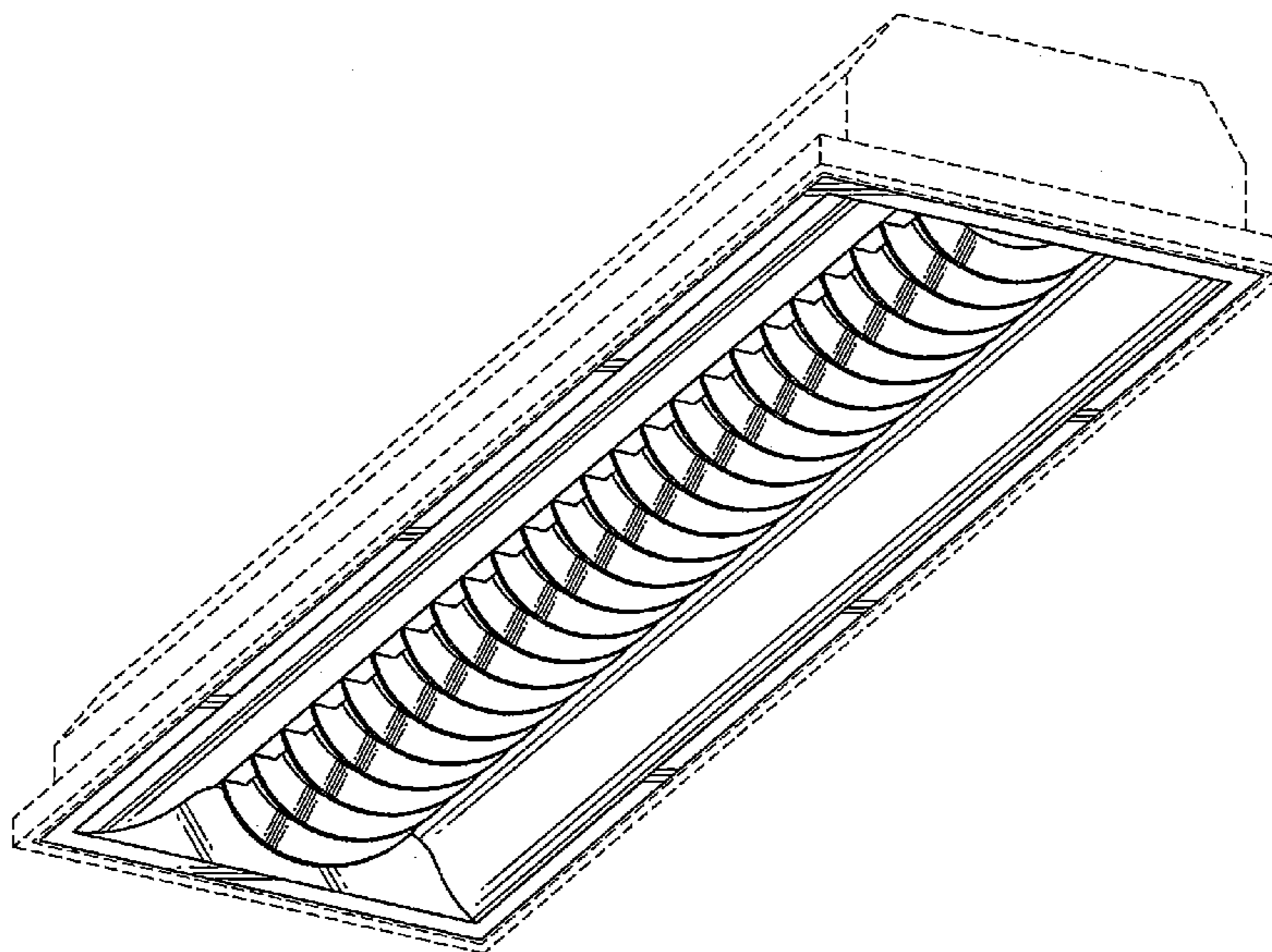
FIG. 5 is a front elevational view thereof;

FIG. 6 is a side elevational view thereof; and,

FIG. 7 is a rear elevational view thereof.

The broken line showing of the front, rear, sides and top of the design is included for the purpose of illustration only and forms no part of the claimed design.

1 Claim, 3 Drawing Sheets



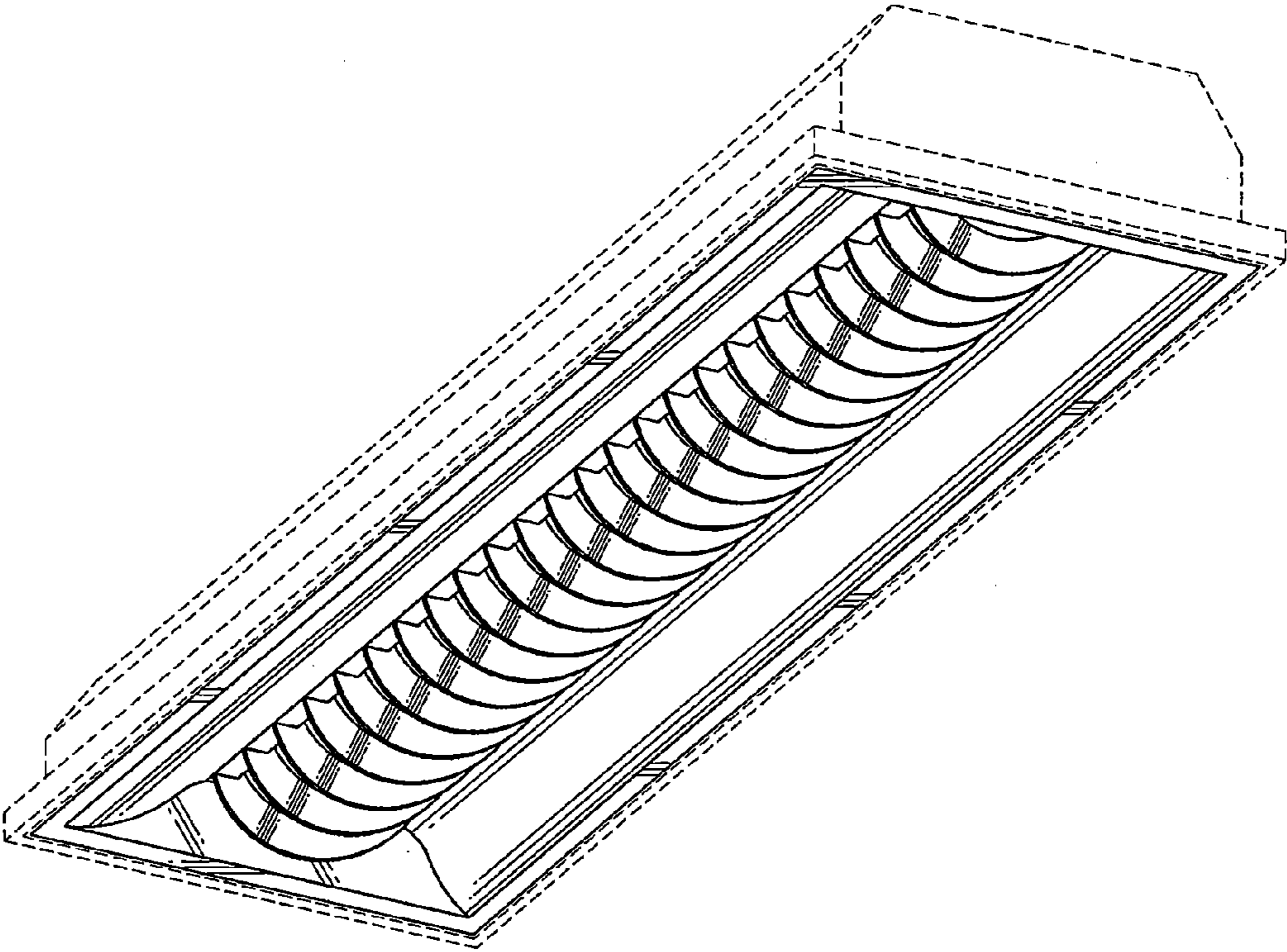


FIG. 1

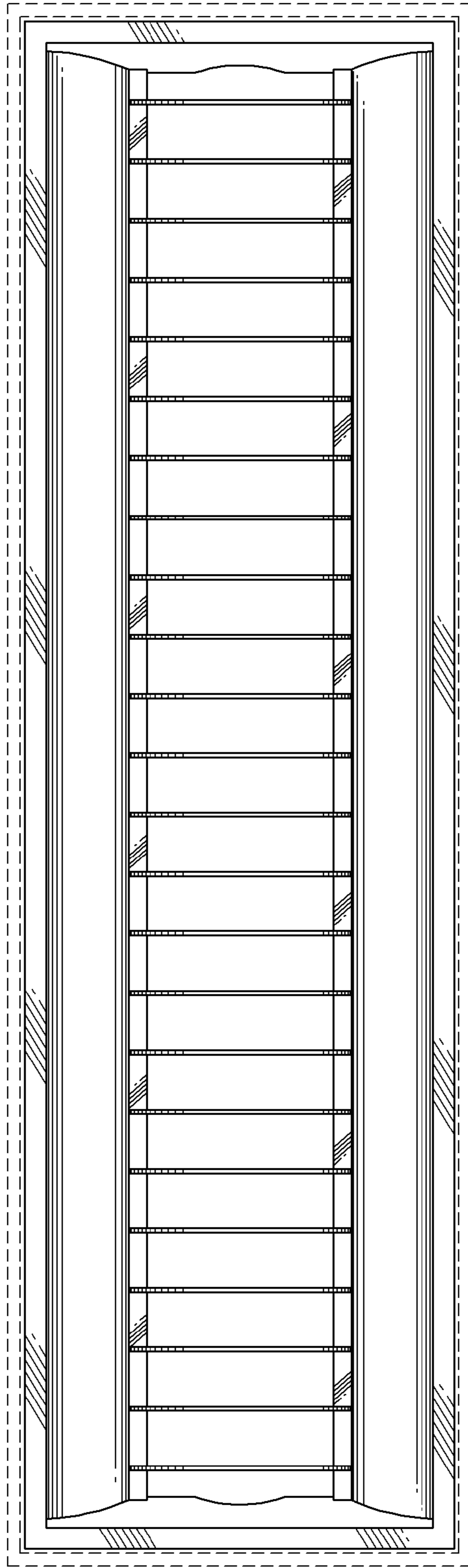


FIG. 2

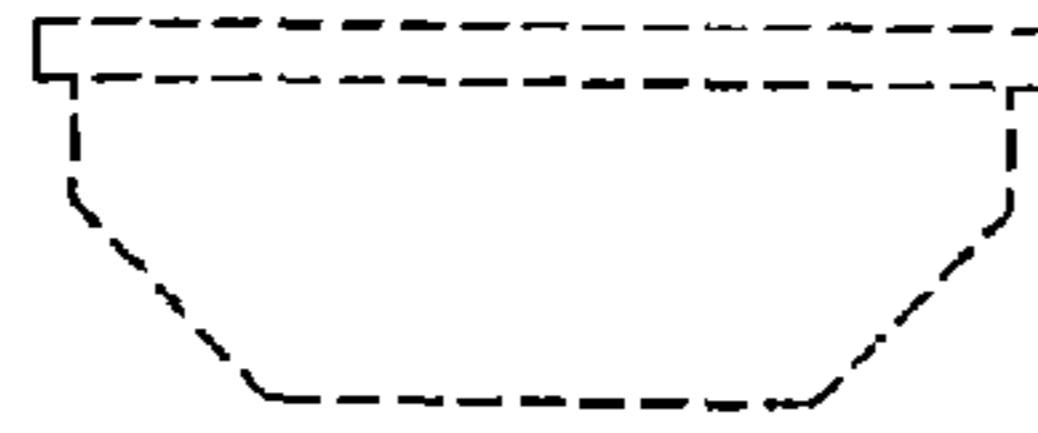


FIG. 4

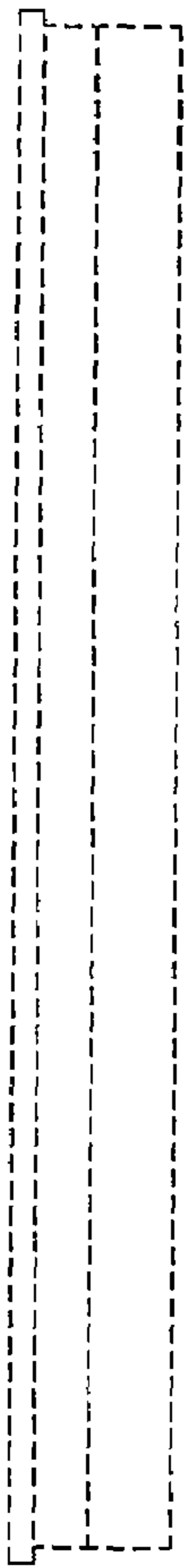


FIG. 5

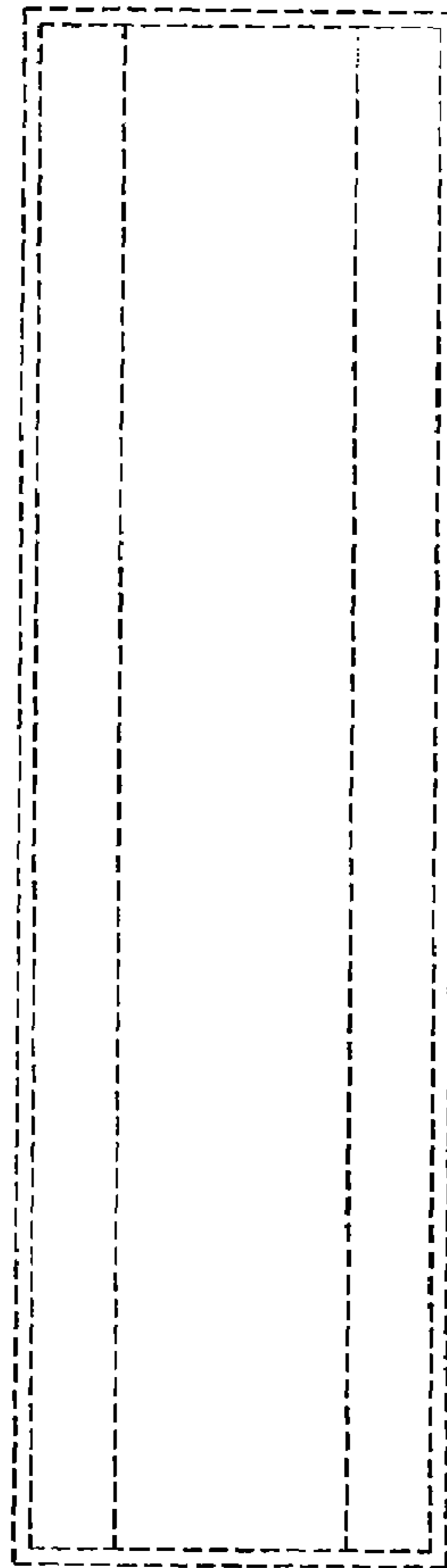


FIG. 3

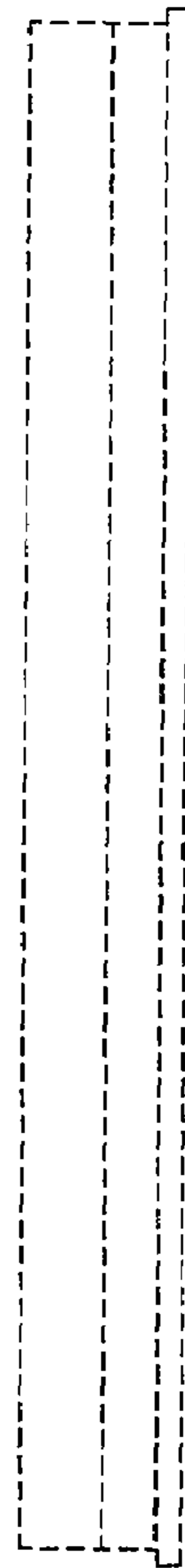


FIG. 7

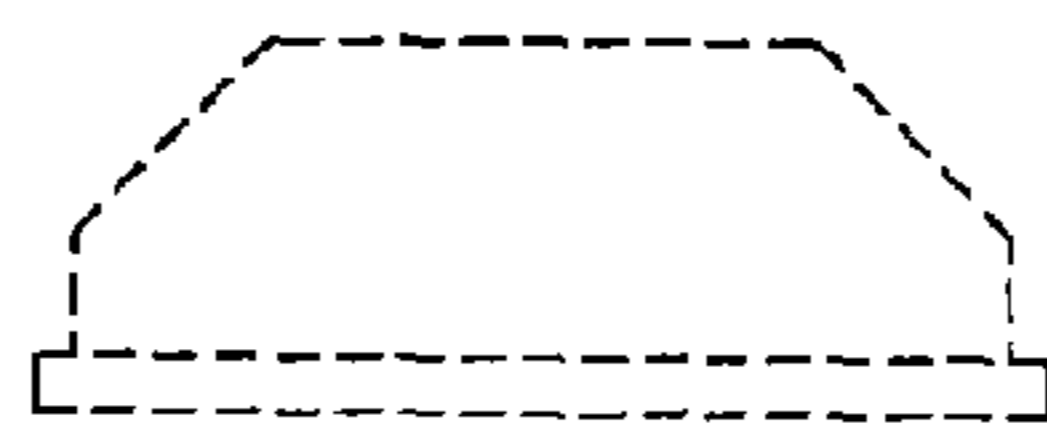


FIG. 6