



US00D561381S

(12) **United States Design Patent** (10) **Patent No.:** **US D561,381 S**  
**Levy et al.** (45) **Date of Patent:** **\*\* Feb. 5, 2008**

(54) **LAMP**

(75) Inventors: **Edward Levy**, Centennial, CO (US);  
**Campbell Levy**, Centennial, CO (US)

(73) Assignee: **Campbell Levy Designs LLC**,  
Centennial, CO (US)

(\*\*) Term: **14 Years**

(21) Appl. No.: **29/248,708**

(22) Filed: **Aug. 29, 2006**

(51) **LOC (8) Cl.** ..... **26-03**

(52) **U.S. Cl.** ..... **D26/97**

(58) **Field of Classification Search** ..... D26/51,  
D26/57, 93-112, 142; D15/1, 5, 148; 123/197.3,  
123/197.4; 384/429-432, 250, 457; 362/410-414,  
362/253, 806

See application file for complete search history.

(56) **References Cited**

**U.S. PATENT DOCUMENTS**

D81,267 S	5/1930	Thurber et al.	
D81,517 S	7/1930	Anderson	
2,109,083 A	2/1938	Campbell	
D116,951 S	10/1939	Groene et al.	
D118,161 S	12/1939	Krueger	
3,113,732 A	12/1963	Chilo	
D317,770 S	6/1991	Burke	
D354,370 S	1/1995	Stromberg	
D450,878 S	11/2001	Dolan	
D468,854 S	1/2003	Chen	
D500,572 S	1/2005	Linder	
D508,142 S	8/2005	Lizarraga	
7,021,268 B1	4/2006	Fuoss	
2007/0153534 A1*	7/2007	Levy et al. ....	362/414

**OTHER PUBLICATIONS**

Non-final Office Action of related U.S. Appl. No. 29/247,350, Dec. 5, 2006, 18 pages.

Non-final Office Action of related U.S. Appl. No. 29/247,350, May 21, 2007, 18 pages.

Crankshaft Lamp, eBay product No. 6166294093, retrieved on Oct. 17, 2006 by the Examiner of U.S. Appl. No. 29/247,350, 7 pages. Motor Trend Sep. 2004, Heavy Metal Crank Lamp, p. 145 TLI. M925, 2 pages.

www.campbelllevydesign.com, believed to be in existence since Dec. 2005, 4 pages.

www.inparticular.com Website, website in existence Apr. 31, 2001, 4 pages.

Notice of Allowance of Related U.S. Appl. No. 29/248,281, Aug. 29, 2007, 6 pages.

Notice of Allowance of Related U.S. Appl. No. 29/248,709, Aug. 29, 2007, 7 pages.

Notice of Allowance of Related U.S. Appl. No. 29/248,093, Aug. 29, 2007, 7 pages.

Notice of Allowance of Related U.S. Appl. No. 29/248,340, Aug. 29, 2007, 7 pages.

Notice of Allowance of Related U.S. Appl. No. 29/248,092, Sep. 4, 2007, 7 pages.

\* cited by examiner

*Primary Examiner*—Cathron Brooks

*Assistant Examiner*—Linda Brooks

(74) *Attorney, Agent, or Firm*—Sheridan Ross P.C.

(57) **CLAIM**

The ornamental design for a lamp, as shown and described.

**DESCRIPTION**

FIG. 1 is a perspective view of a lamp showing our new design, the broken lines showing environment for illustrative purposes only and forming no part of the claimed design;

FIG. 2 is a bottom plan view of the design illustrated in FIG. 1;

FIG. 3 is a top plan view of the design illustrated in FIG. 1;

FIG. 4 is a front elevation view of the design illustrated in FIG. 1;

FIG. 5 is a right elevation view of the design illustrated in FIG. 1;

FIG. 6 is a rear elevation view of the design illustrated in FIG. 1;

FIG. 7 is a left elevation view of the design illustrated in FIG. 1;

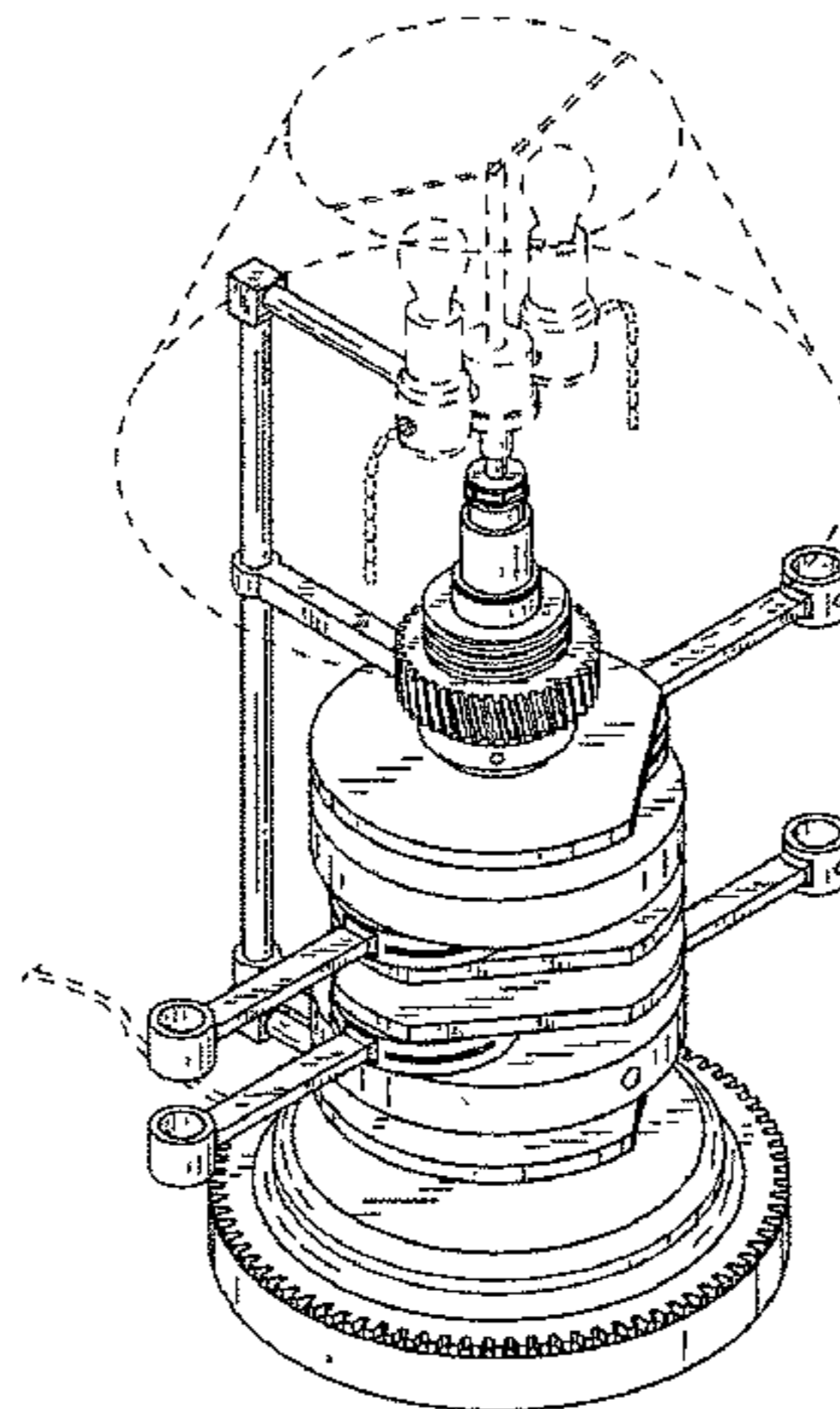


FIG. 8 is a perspective view of a first alternative embodiment of the design illustrated in FIG. 1, the only distinction being the addition of a shade, it being understood that all other surfaces are the same as those in the first embodiment, the broken lines showing environment for illustrative purposes only and forming no part of the claimed design;

FIG. 9 is a bottom plan view of the design illustrated in FIG. 8;

FIG. 10 is a top plan view of the design illustrated in FIG. 8;

FIG. 11 is a front elevation view of the design illustrated in FIG. 8;

FIG. 12 is a right elevation view of the design illustrated in FIG. 8;

FIG. 13 is a rear elevation view of the design illustrated in FIG. 8;

FIG. 14 is a left elevation view of the design illustrated in FIG. 8;

FIG. 15 is a perspective view of a second alternative embodiment of the design illustrated in FIG. 1, the only

distinction being the omission of a base and the addition of a light fixture, it being understood that all other surfaces are the same as those in the first embodiment, the broken lines showing environment for illustrative purposes only and forming no part of the claimed design;

FIG. 16 is a bottom plan view of the design illustrated in FIG. 15;

FIG. 17 is a top plan view of the design illustrated in FIG. 15;

FIG. 18 is a front elevation view of the design illustrated in FIG. 15;

FIG. 19 is a right elevation view of the design illustrated in FIG. 15;

FIG. 20 is a rear elevation view of the design illustrated in FIG. 15; and,

FIG. 21 is a left elevation view of the design illustrated in FIG. 15.

**1 Claim, 6 Drawing Sheets**

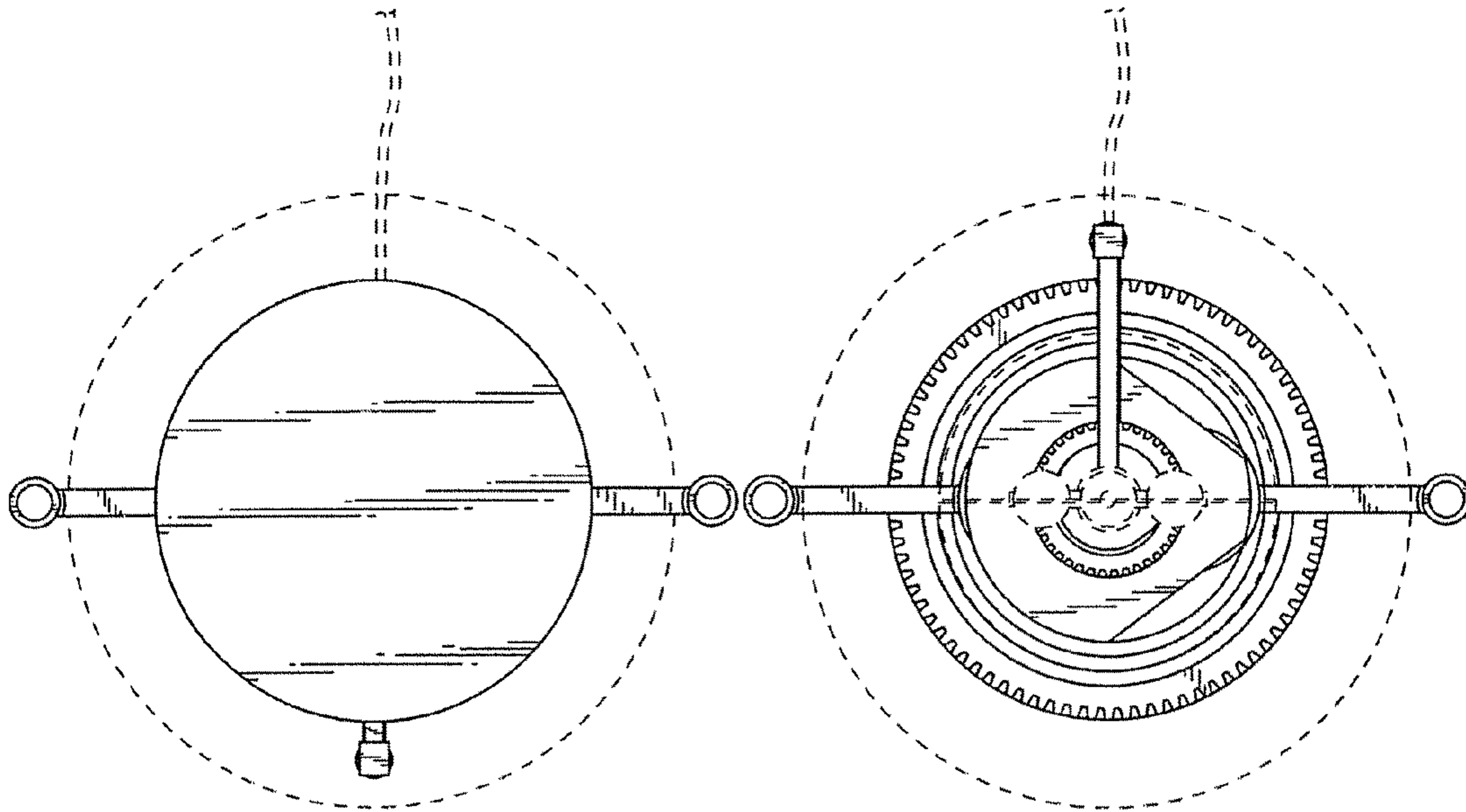


FIG.2

FIG.3

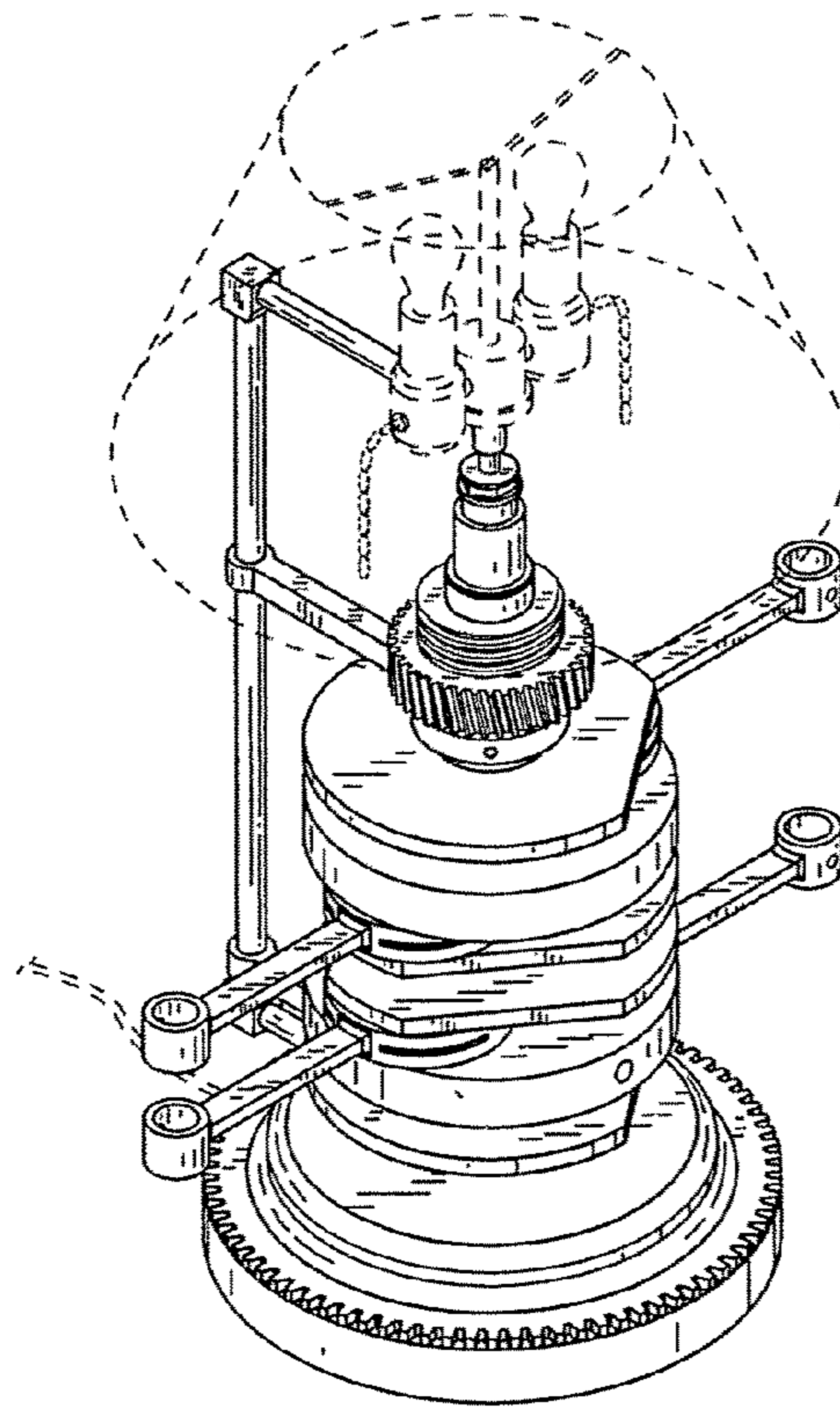


FIG.1



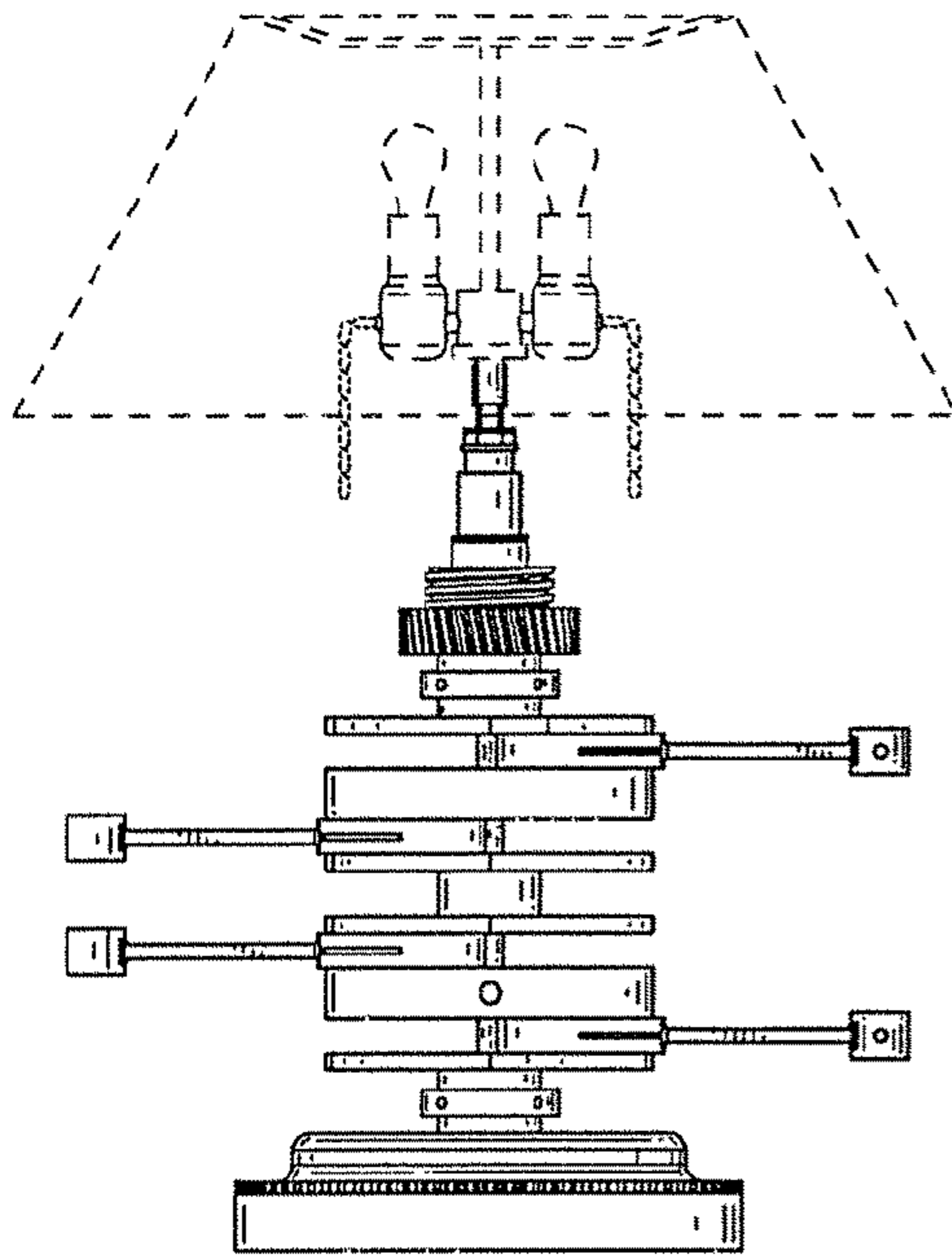


FIG. 4

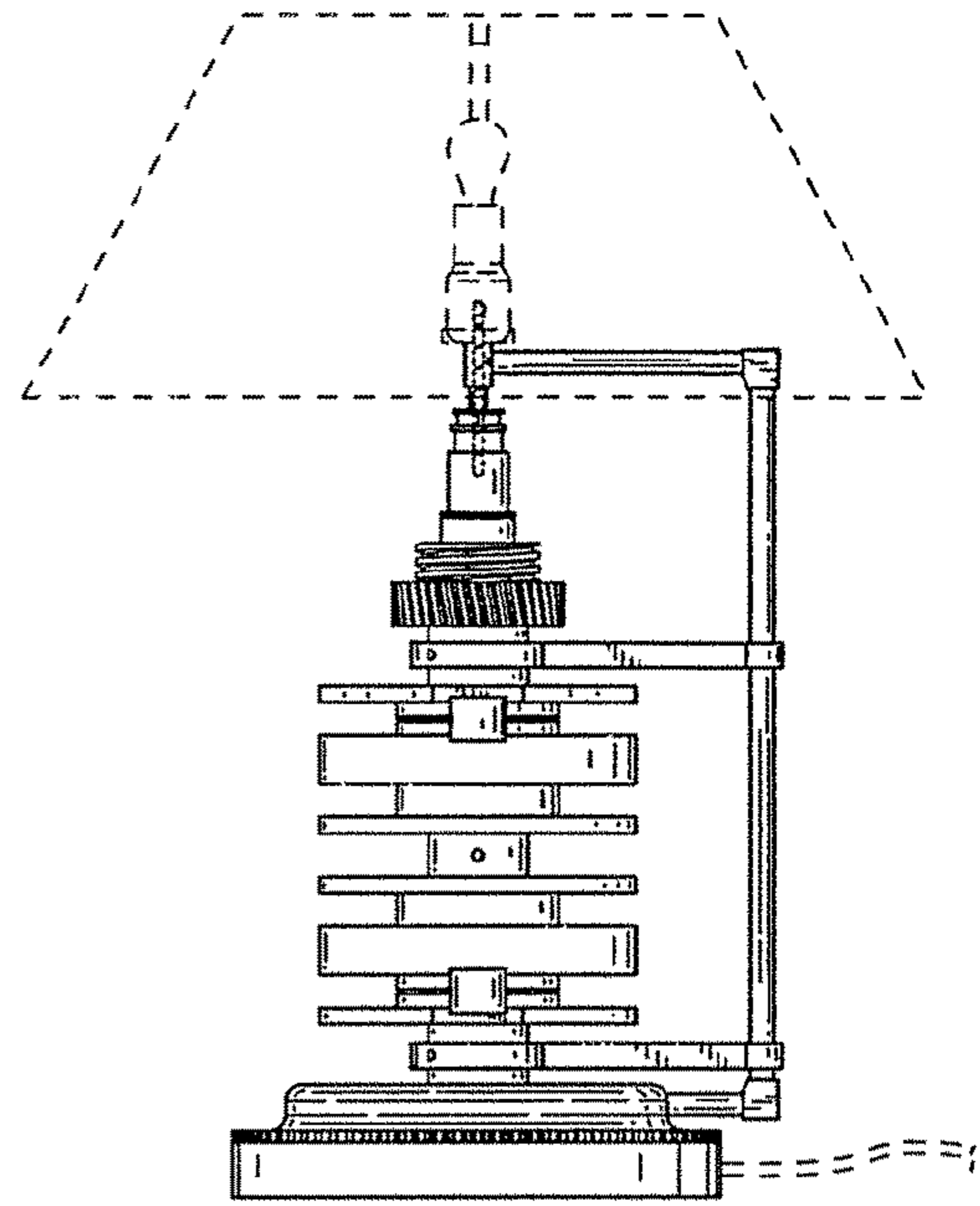


FIG. 5

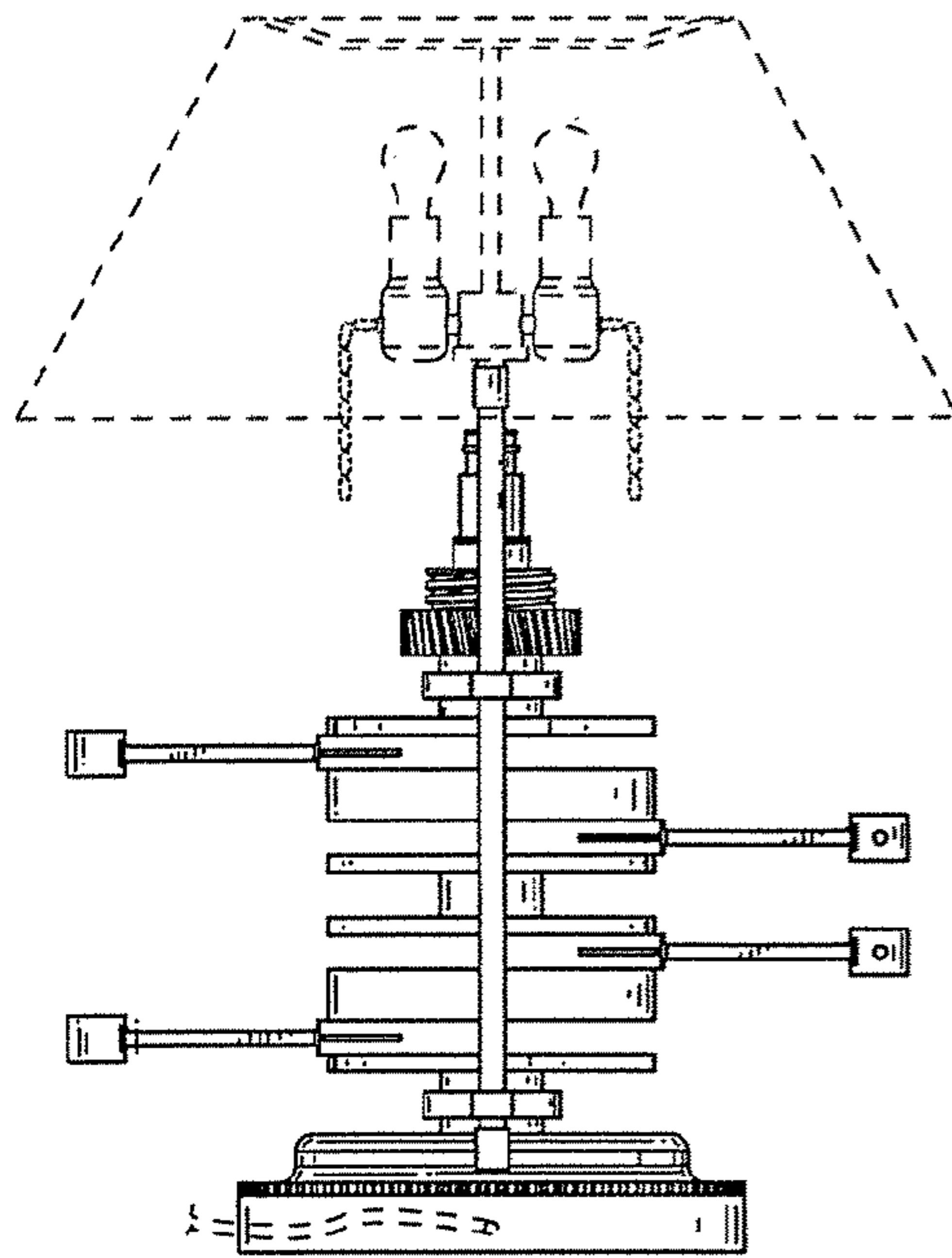


FIG. 6

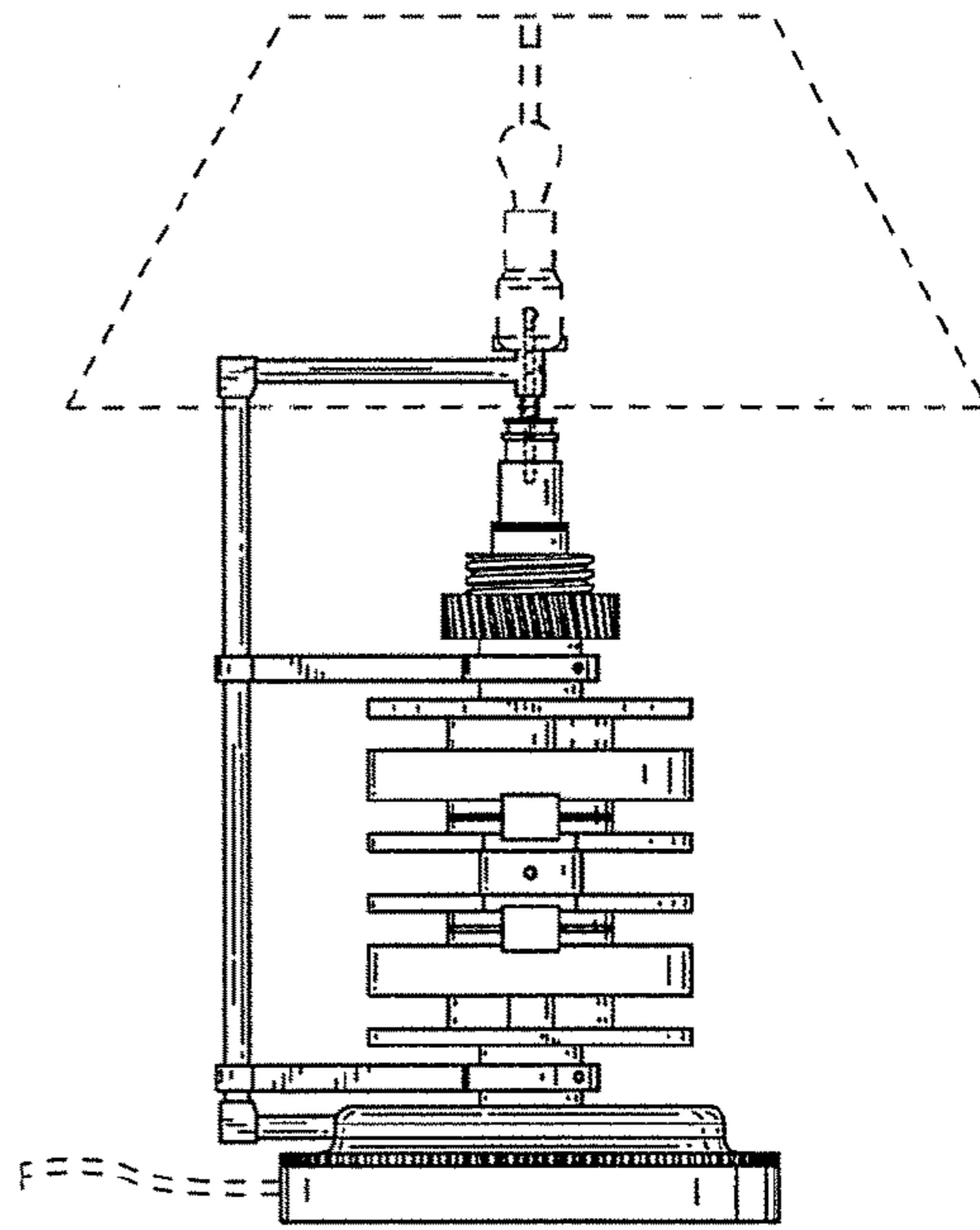


FIG. 7

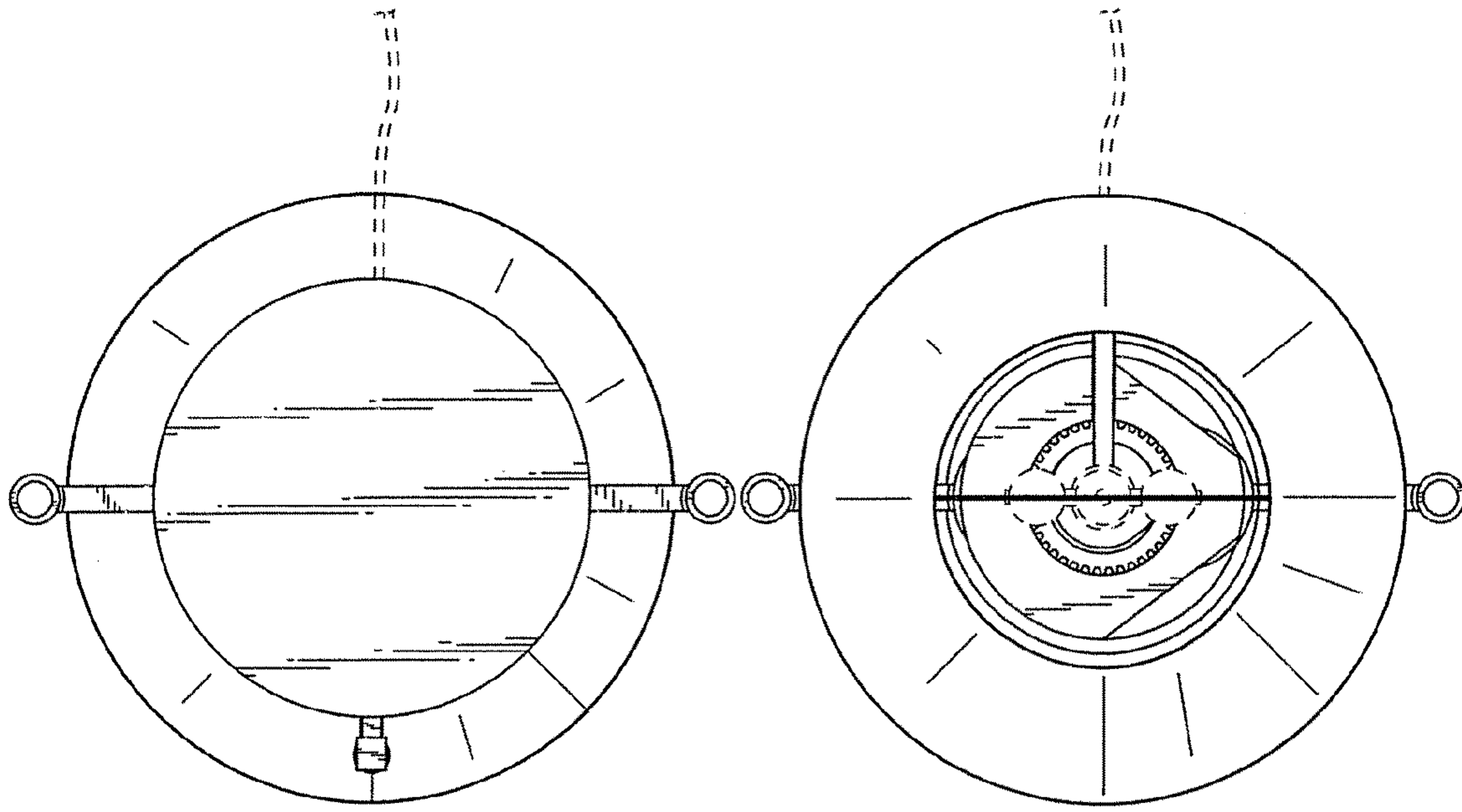


FIG.9

FIG.10

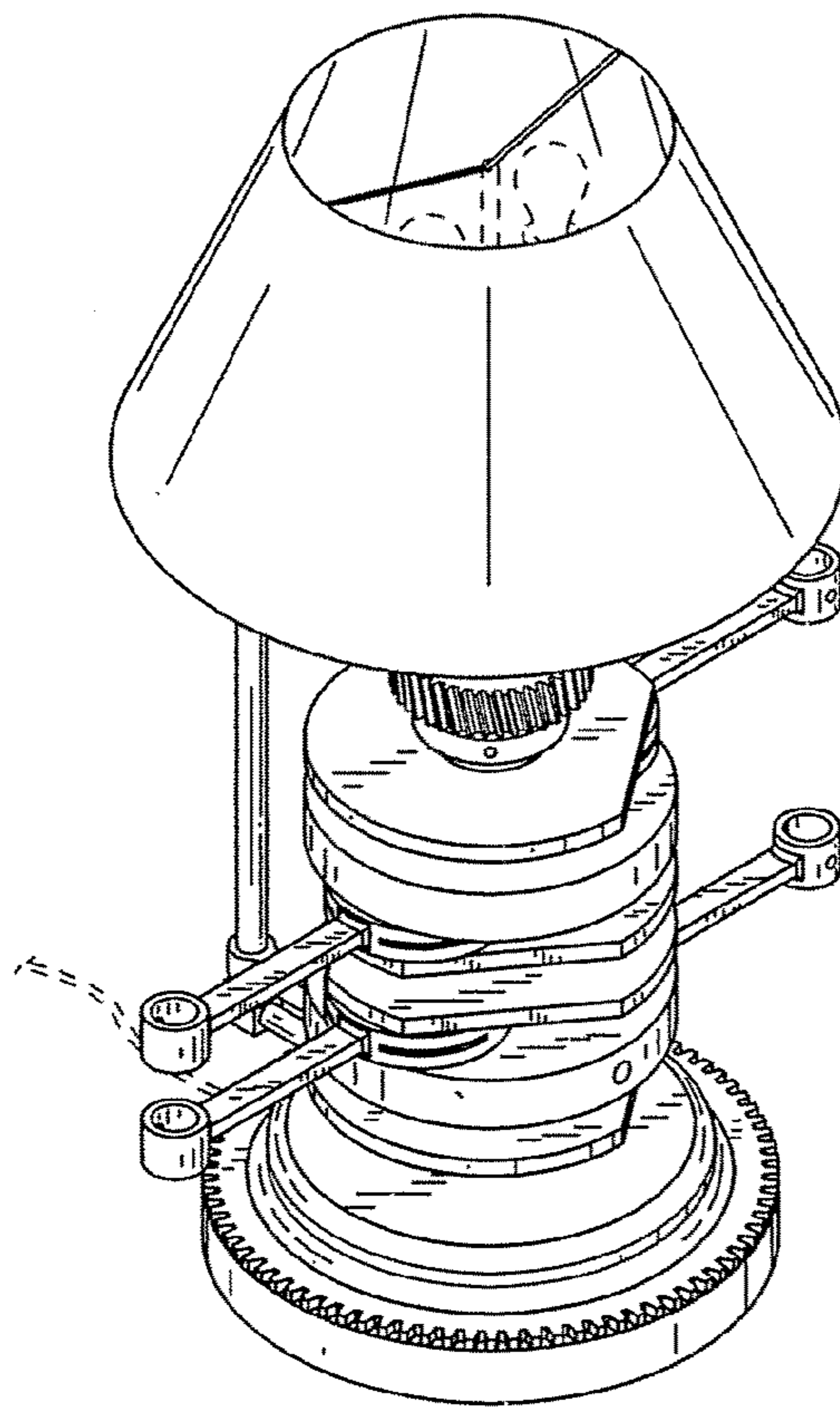


FIG.8

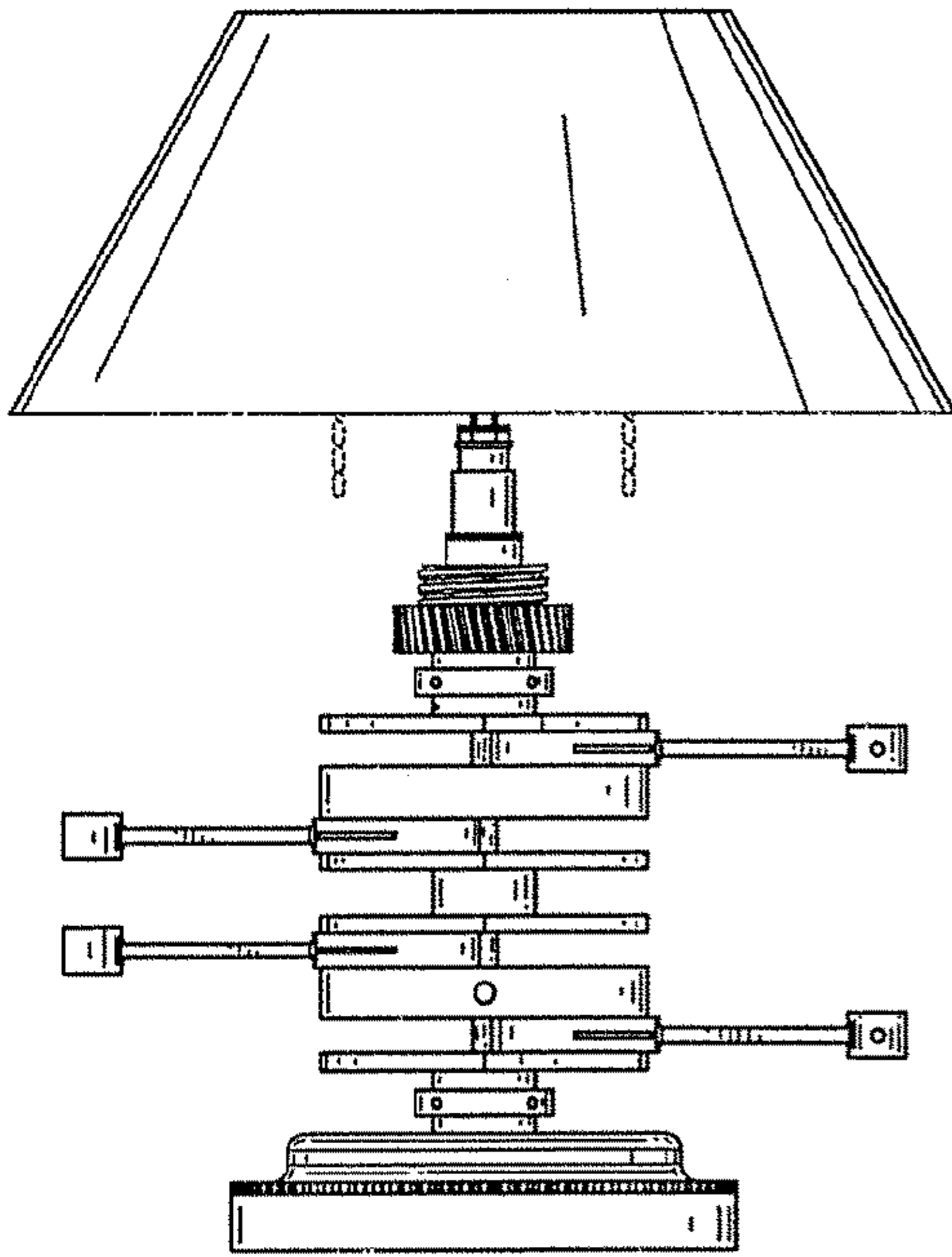


FIG. 11

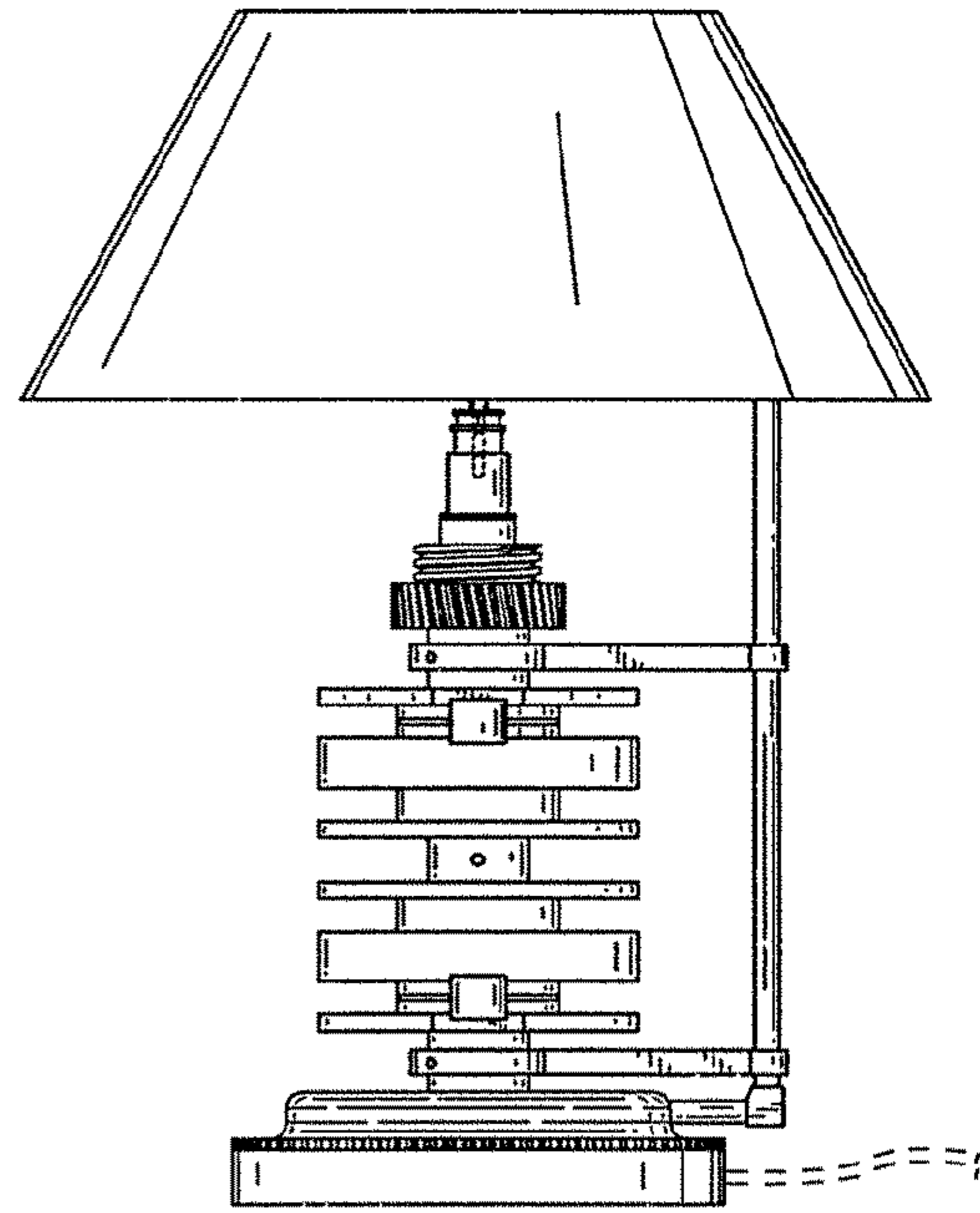


FIG. 12

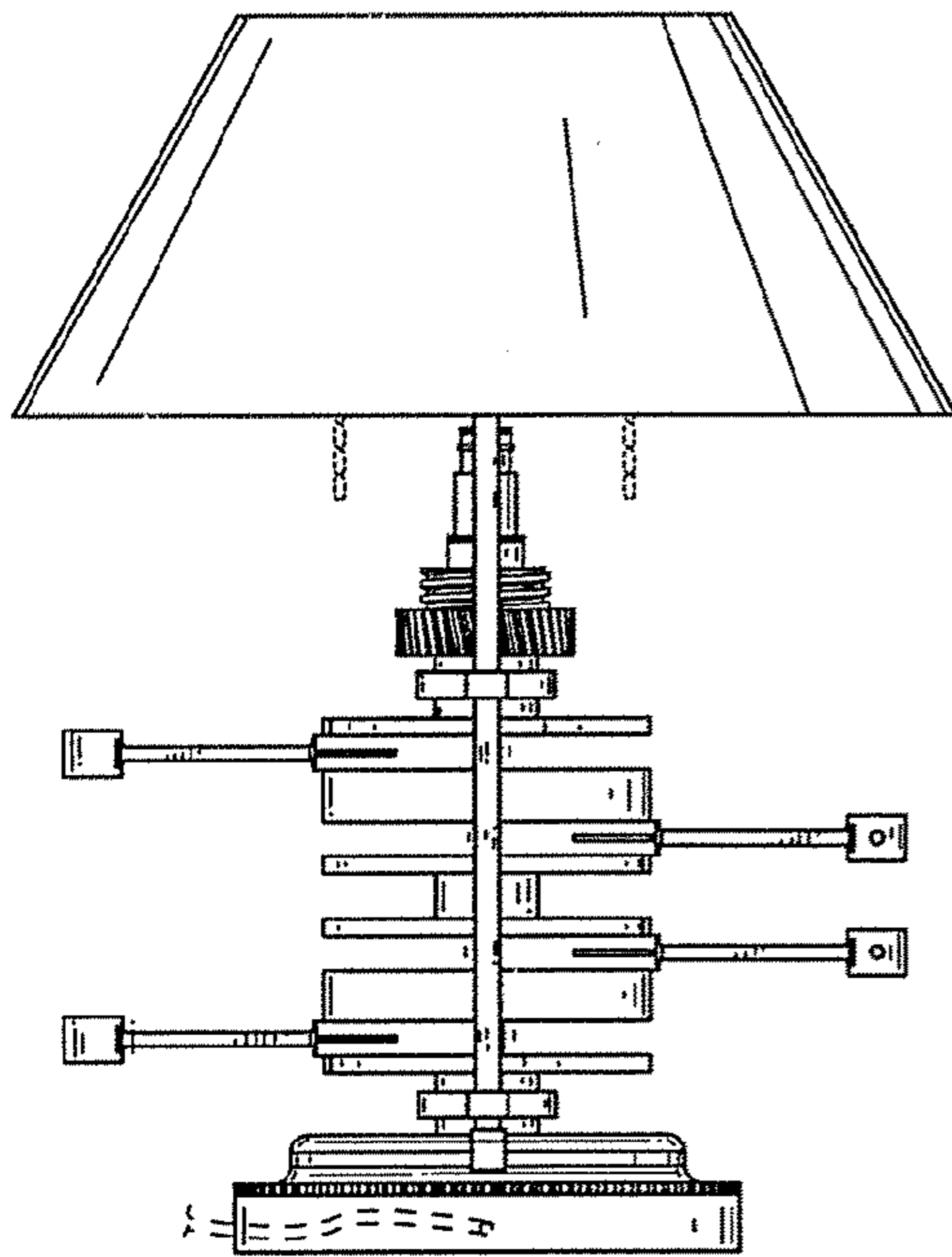


FIG. 13

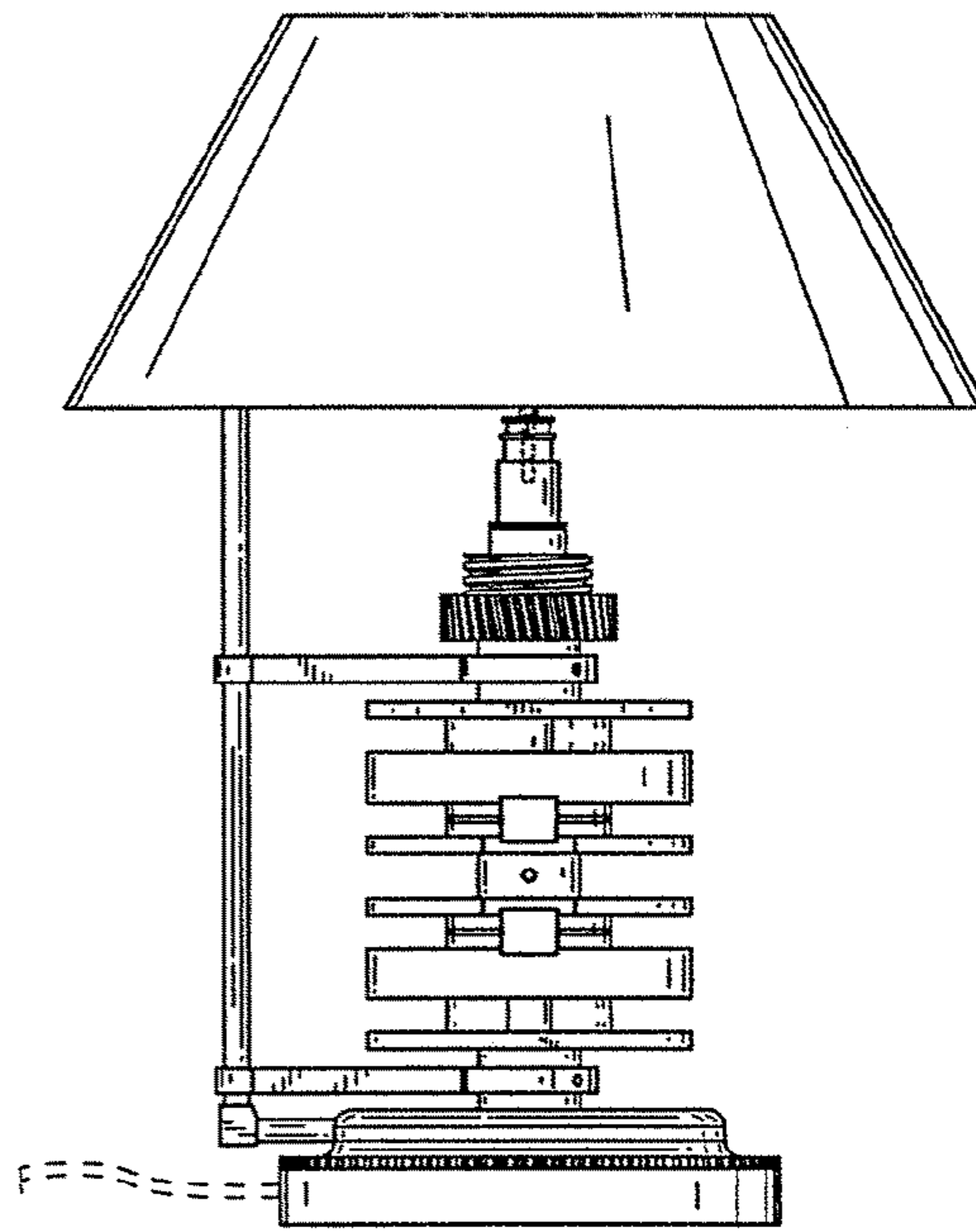


FIG. 14



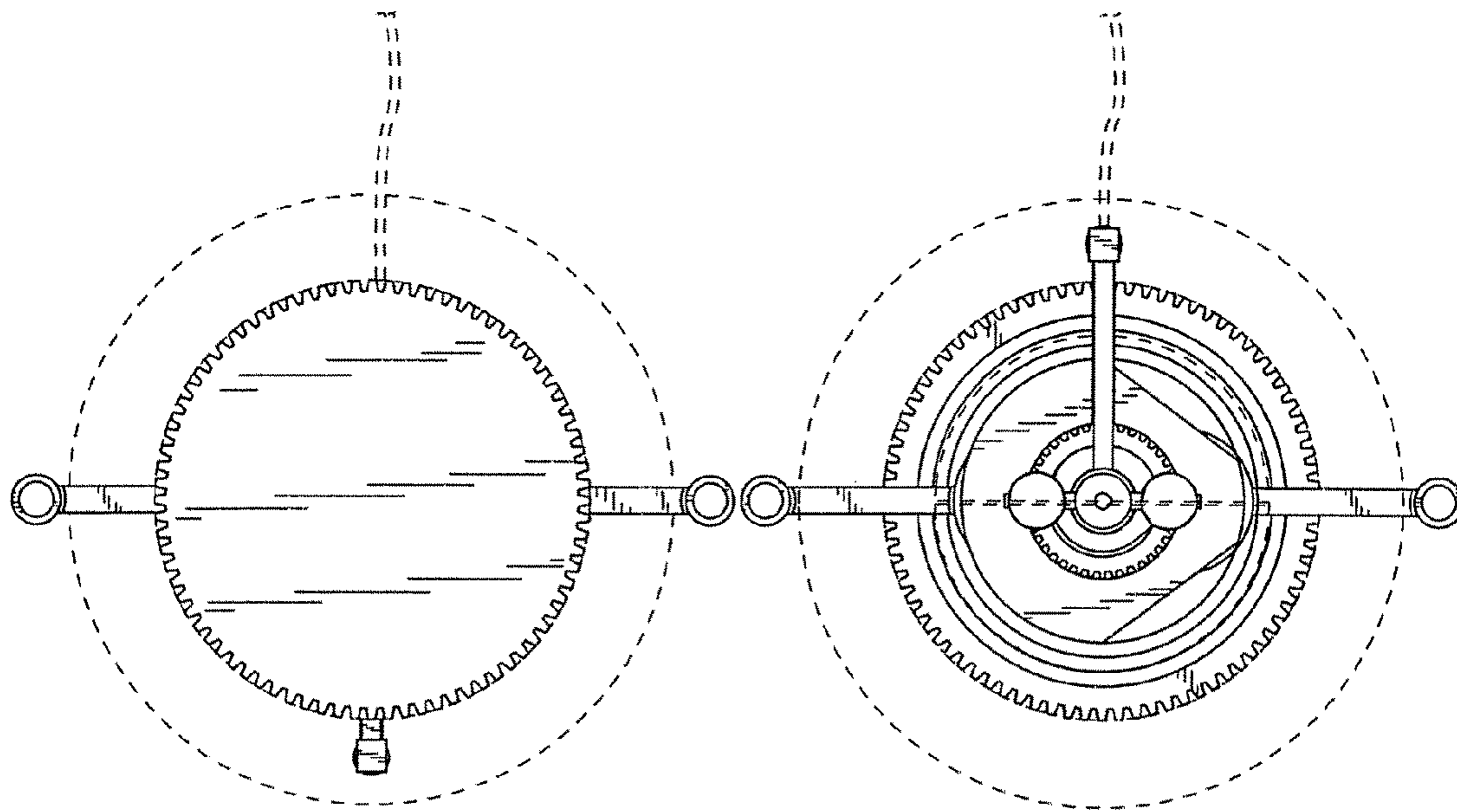


FIG. 16

FIG. 17

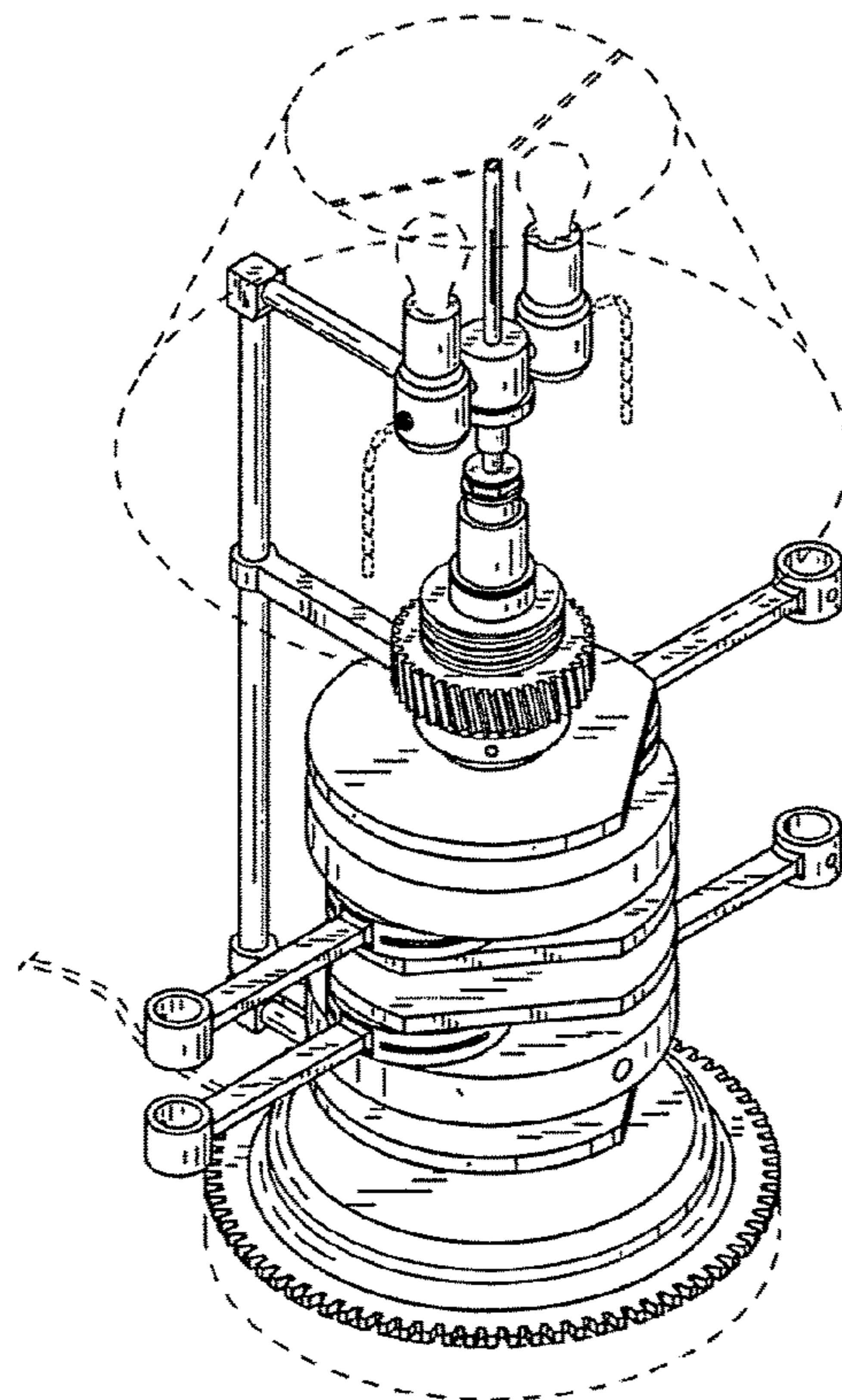


FIG. 15

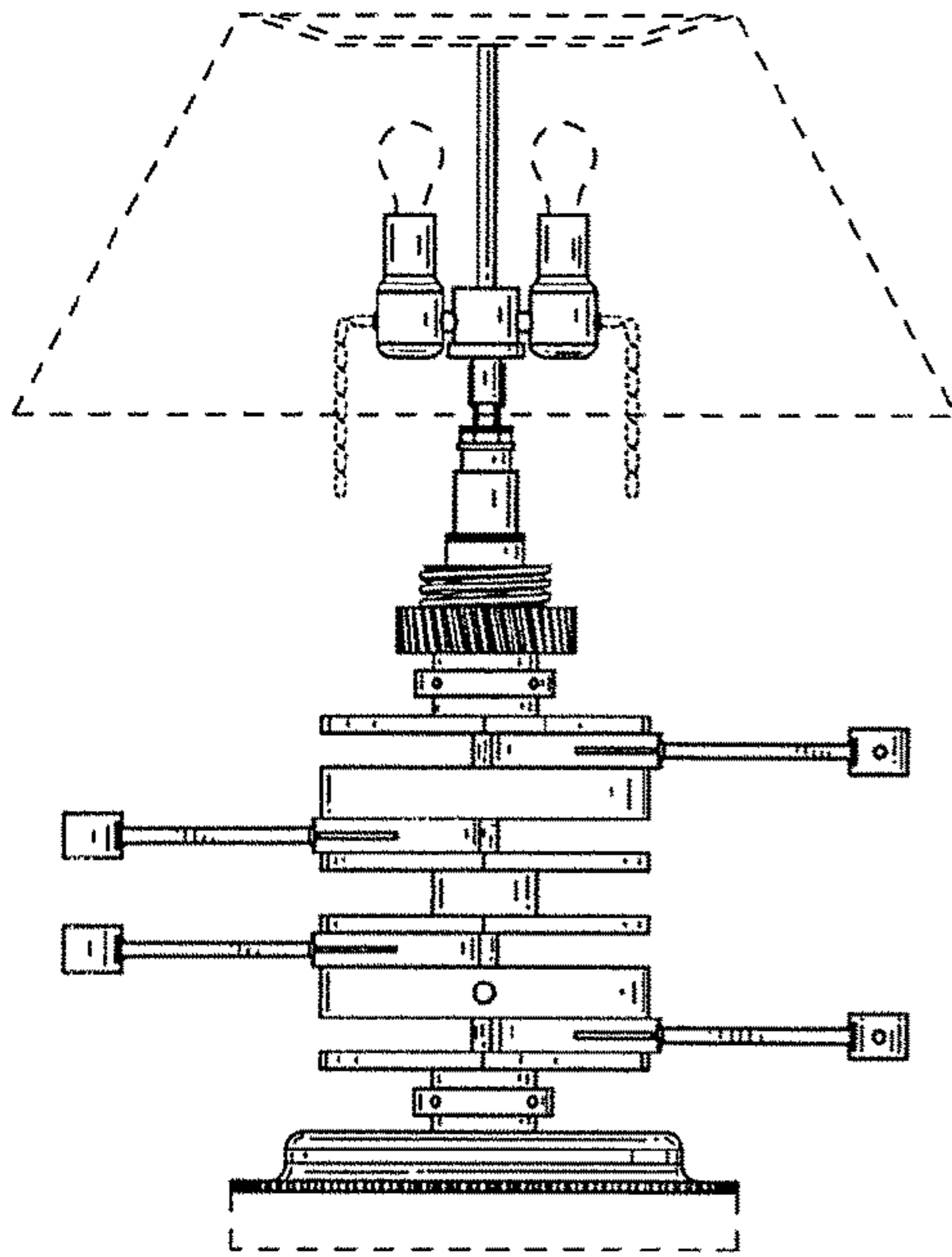


FIG. 18

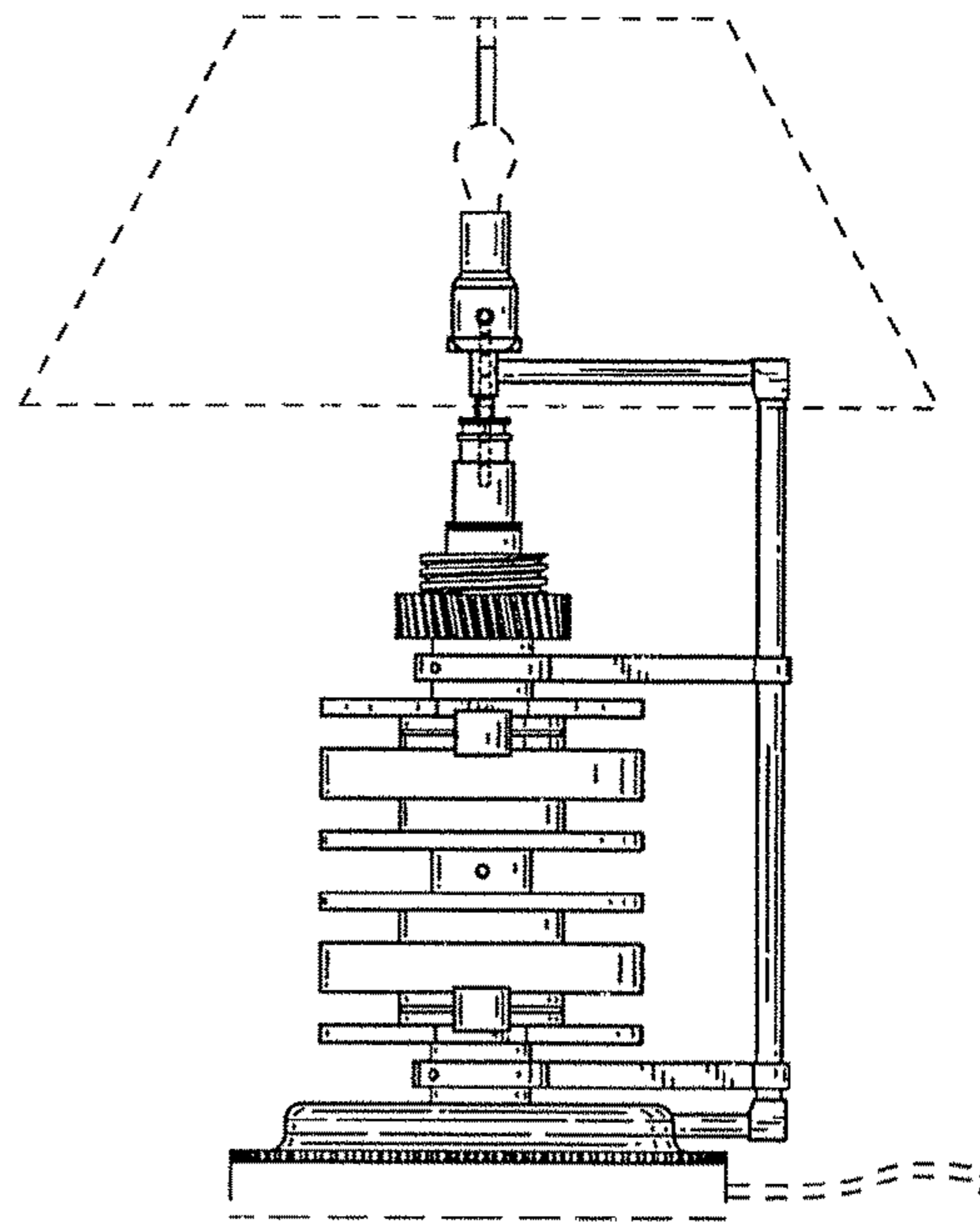


FIG. 19

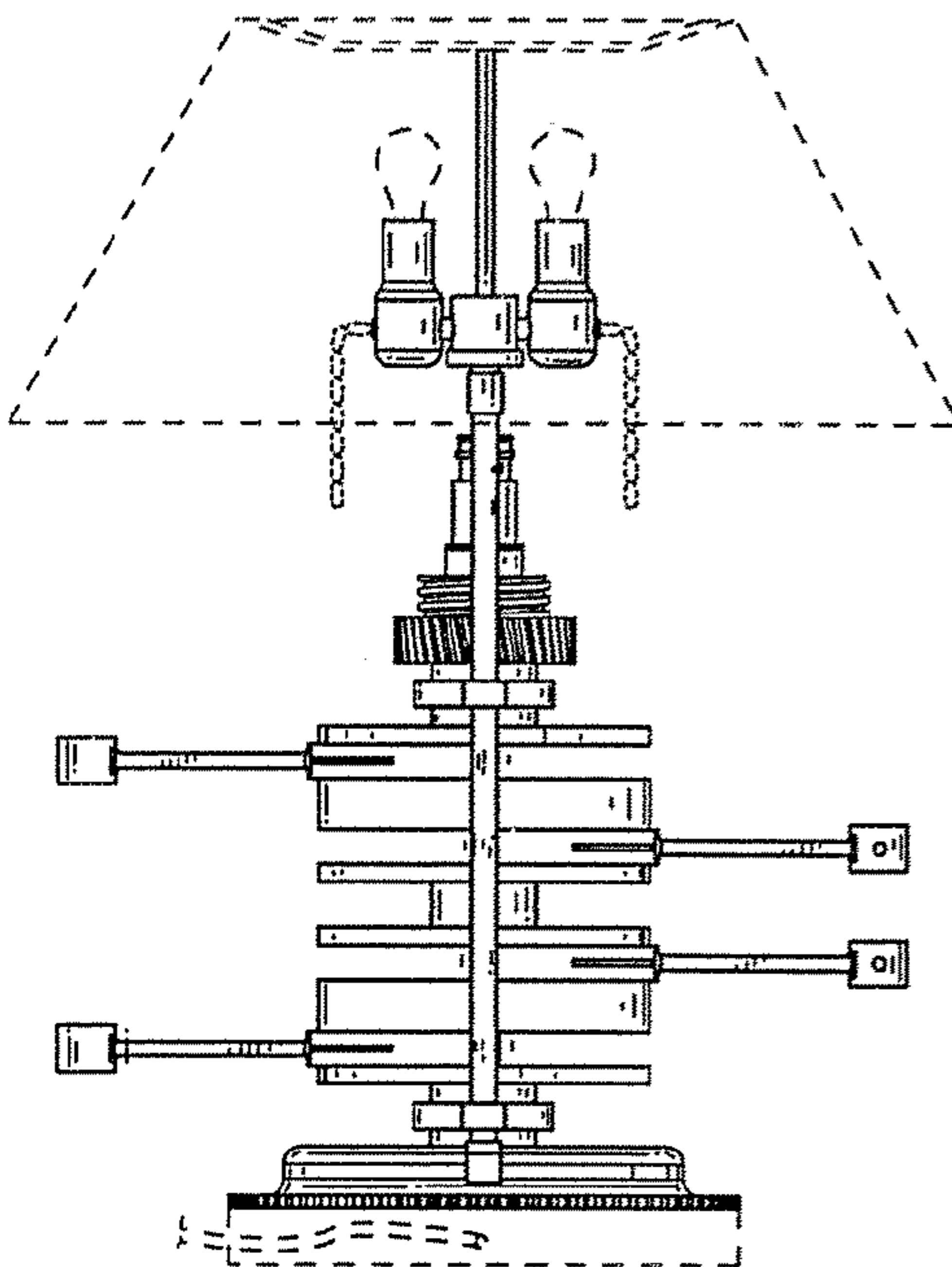


FIG. 20

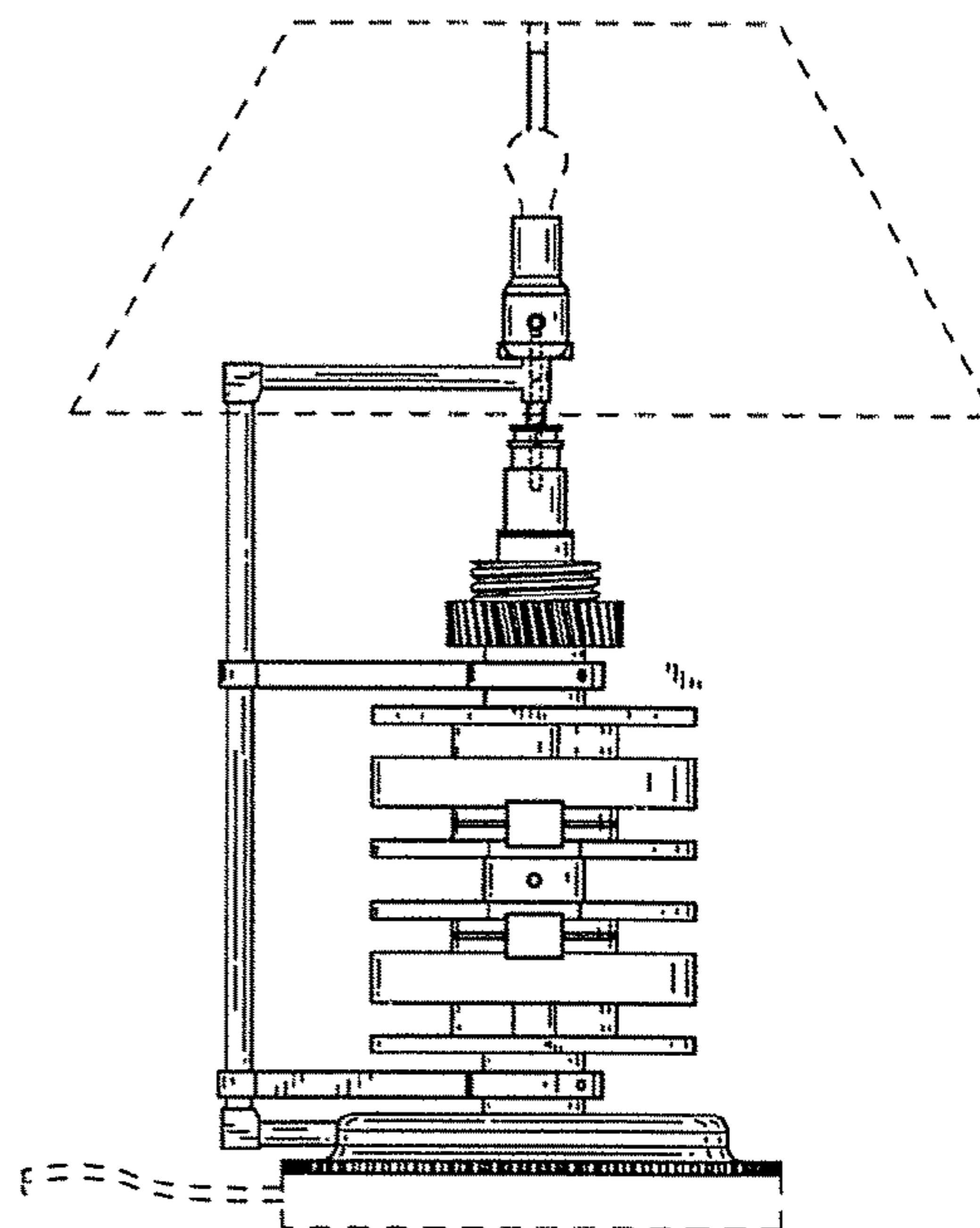


FIG. 21