



US00D561377S

(12) **United States Design Patent**  
**Guercio**

(10) **Patent No.:** **US D561,377 S**

(45) **Date of Patent:** **\*\* Feb. 5, 2008**

(54) **SMALL WALLPACK LUMINAIRE**

(75) Inventor: **Vincenzo Guercio**, Wallkill, NY (US)

(73) Assignee: **RAB Lighting, Inc.**, Northvale, NJ (US)

(\*\*) Term: **14 Years**

(21) Appl. No.: **29/221,761**

(22) Filed: **Jan. 19, 2005**

(51) **LOC (8) Cl.** ..... **26-03**

(52) **U.S. Cl.** ..... **D26/85**

(58) **Field of Classification Search** ..... D26/63,  
D26/71, 72, 85; 362/147, 431, 432, 282  
See application file for complete search history.

(56) **References Cited**

**U.S. PATENT DOCUMENTS**

D190,385 S *	5/1961	Schreckengost	.....	D26/85
D390,999 S *	2/1998	Gaskins et al.	.....	D26/85
D440,683 S *	4/2001	Guercio	.....	D26/85
D456,928 S *	5/2002	Russello et al.	.....	D26/85
D475,154 S *	5/2003	Binsukor	.....	D26/72
D494,701 S *	8/2004	Campbell	.....	D26/85

**OTHER PUBLICATIONS**

Model No. WM-256 by S. Lite Co., Ltd. (Taiwan). Lighting Cens. vol. 78. Dec. 2004. p. 88. ISSN: 1682-7945.

\* cited by examiner

*Primary Examiner*—Clare E Heflin

(74) *Attorney, Agent, or Firm*—Darby & Darby P.C.

(57) **CLAIM**

The ornamental design for a small wallpack luminaire, as shown and described.

**DESCRIPTION**

FIG. 1 is a perspective view of a small wallpack luminaire; FIG. 2 is a front plan view of the small wallpack luminaire of FIG. 1;

FIG. 3 is a right side elevation view of the small wallpack luminaire of FIG. 1;

FIG. 4 is a rear elevation view of the small wallpack luminaire of FIG. 1;

FIG. 5 is a left side elevation view of the small wallpack luminaire of FIG. 1;

FIG. 6 is a top plan view of the small wallpack luminaire of FIG. 1; and,

FIG. 7 is a bottom plan view of the small wallpack luminaire of FIG. 1.

**1 Claim, 7 Drawing Sheets**

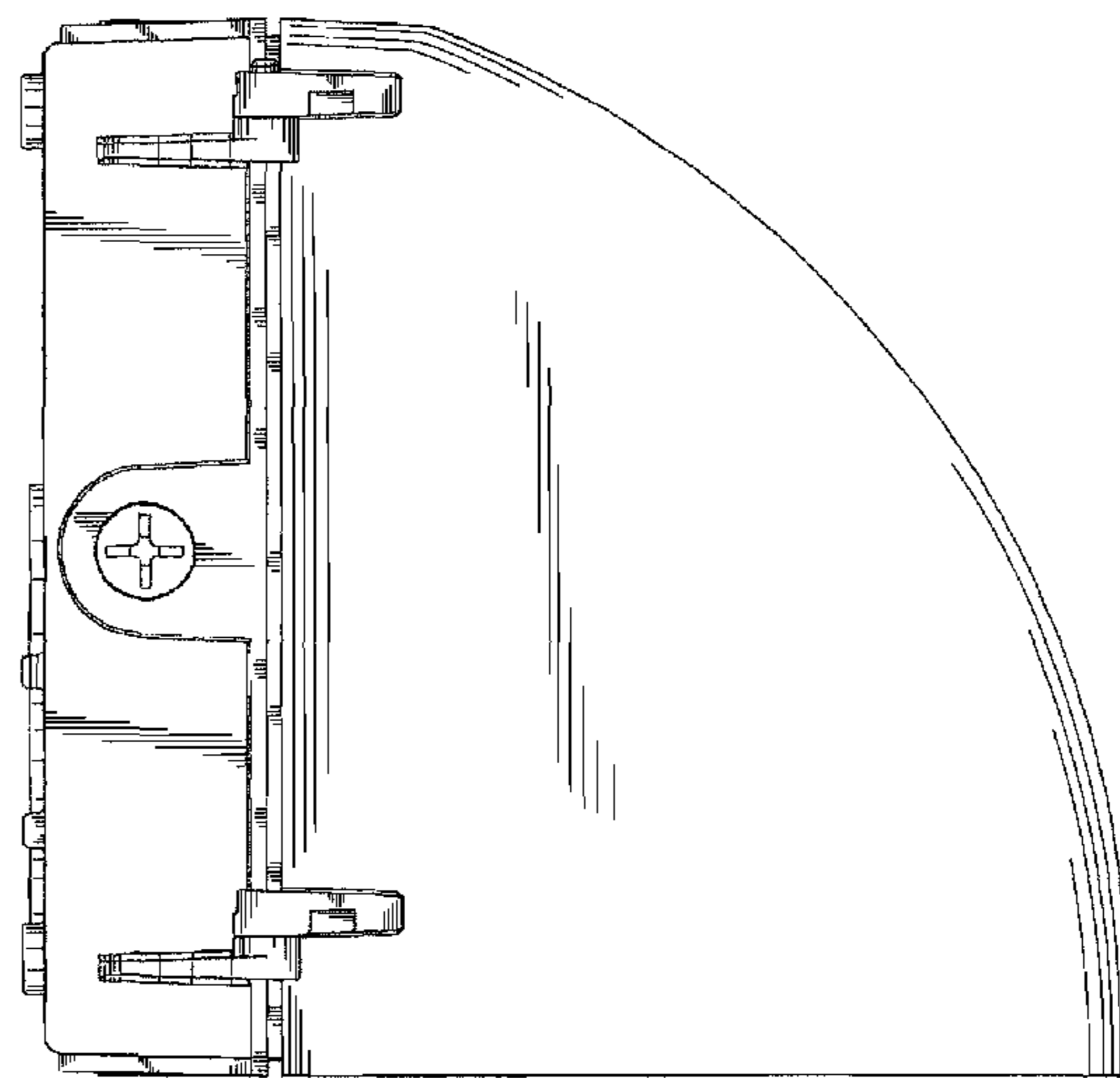
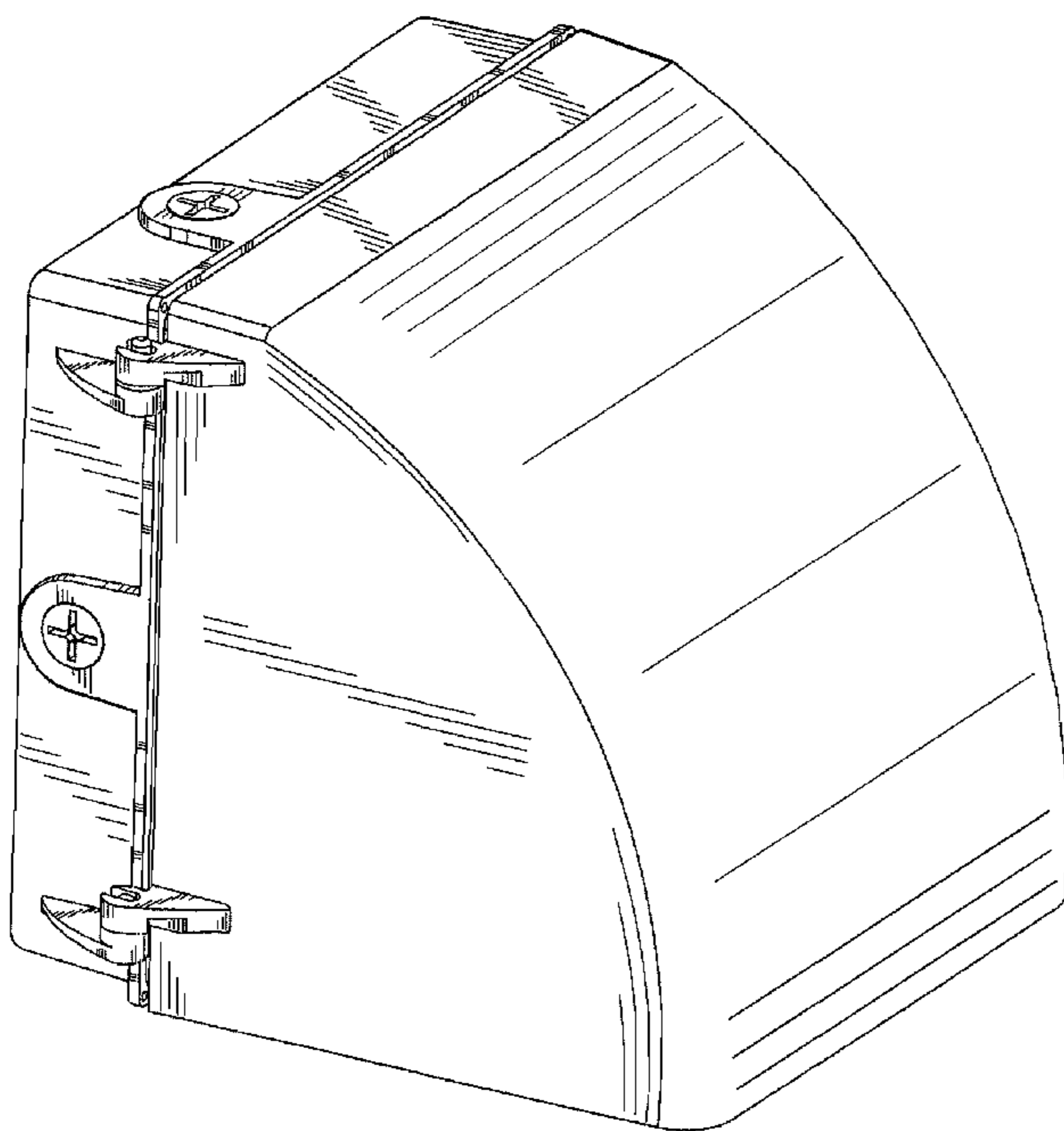


Fig. 1

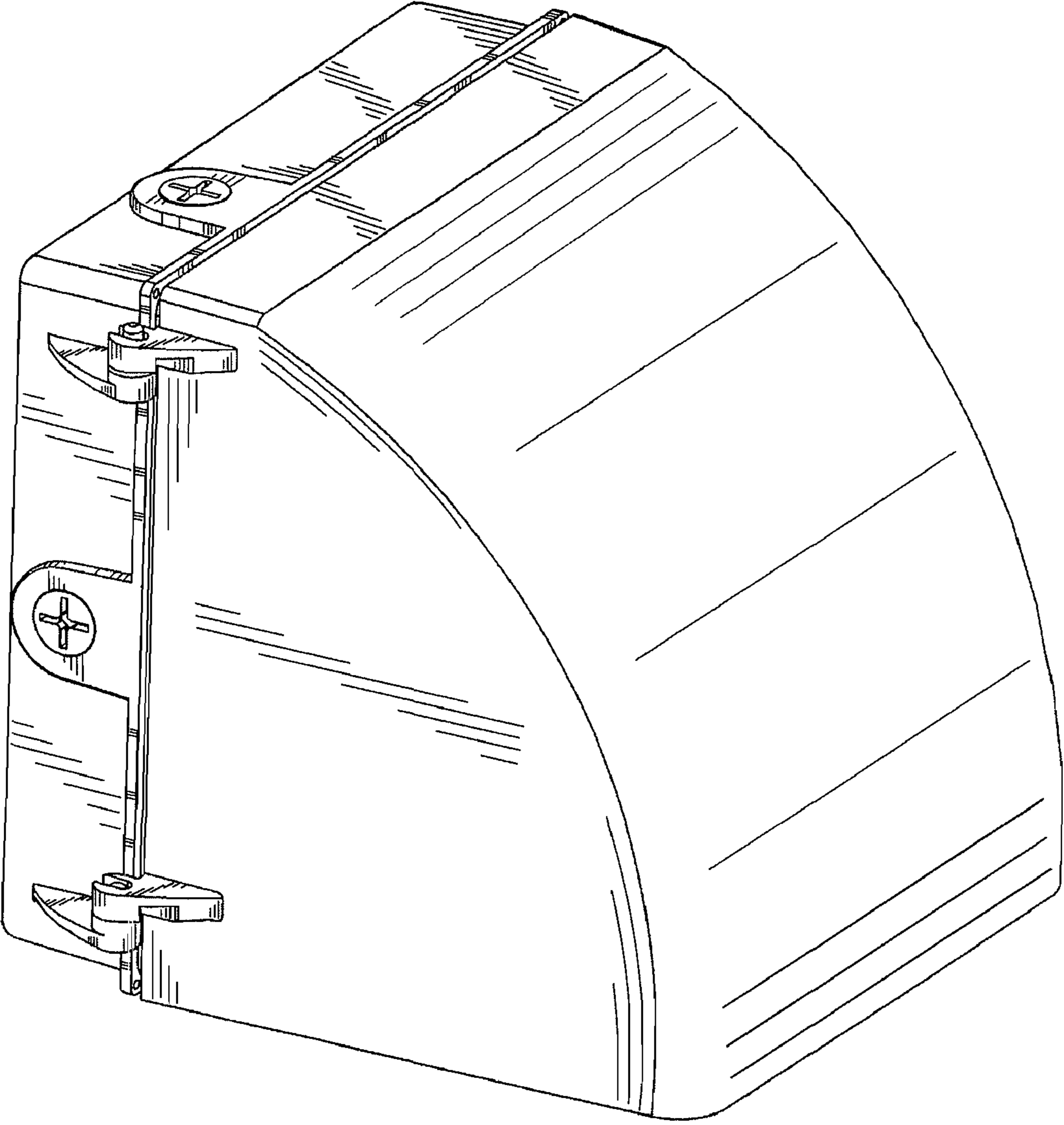


Fig. 2

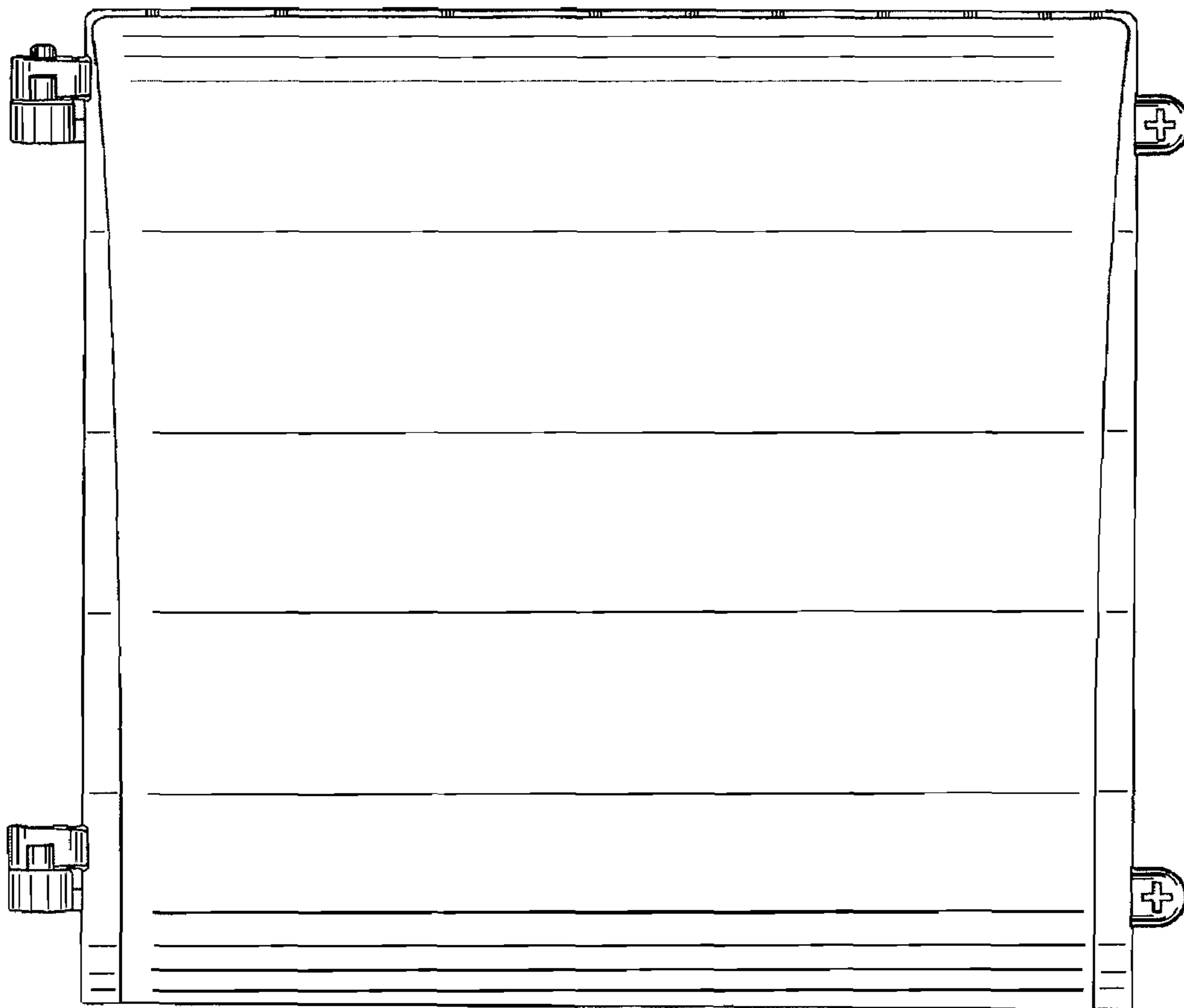


Fig. 3

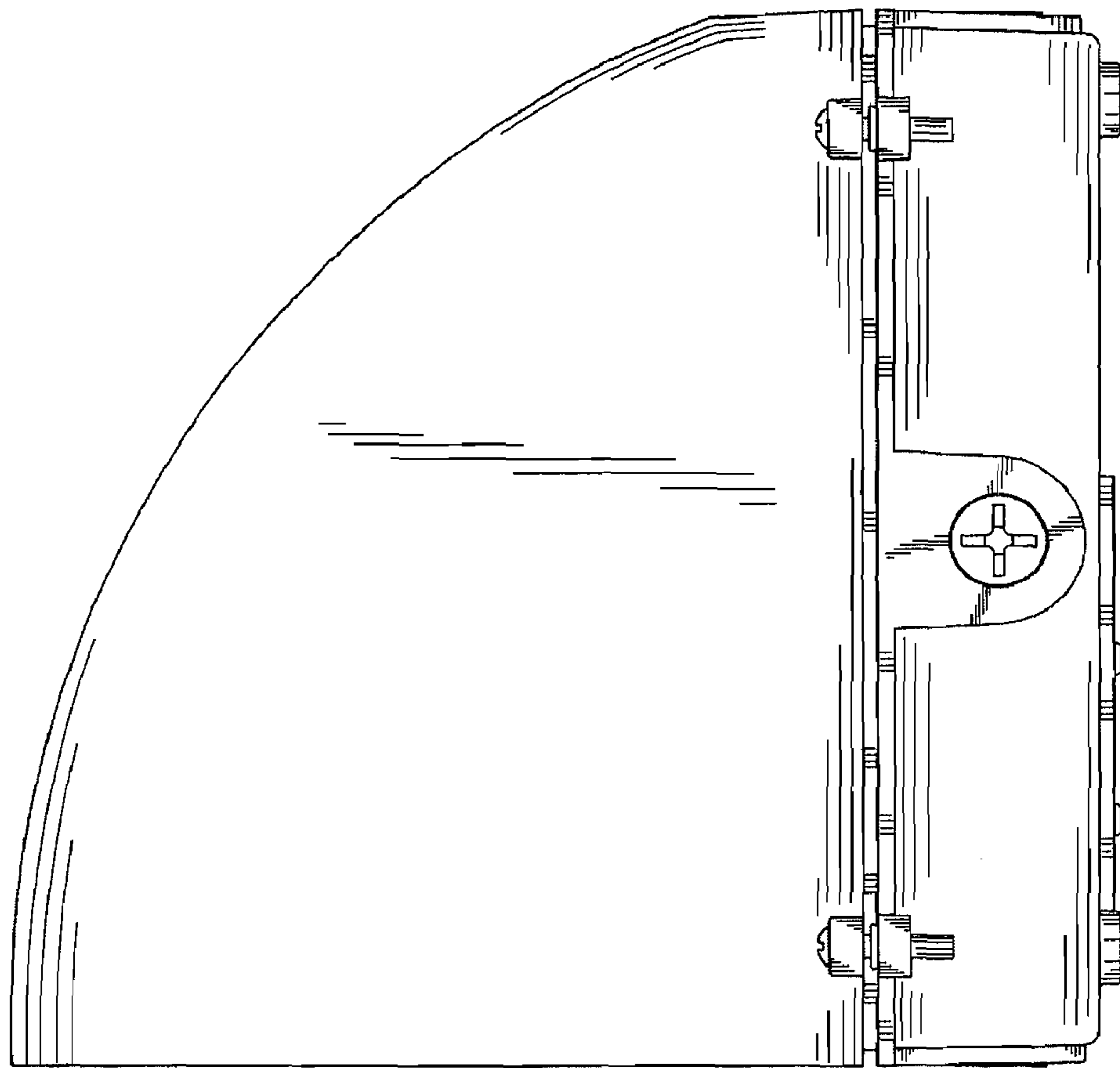


Fig. 4

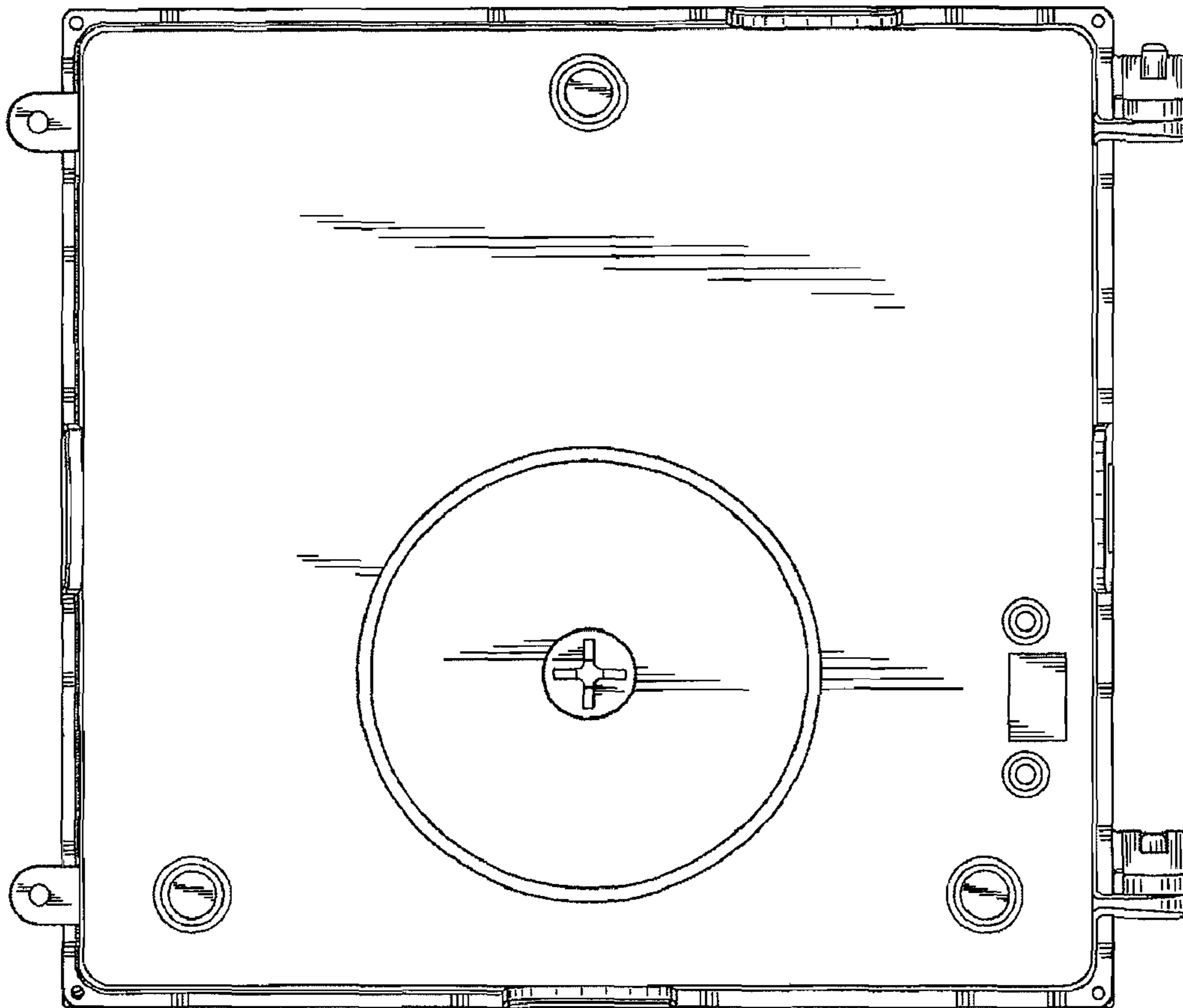


Fig. 5

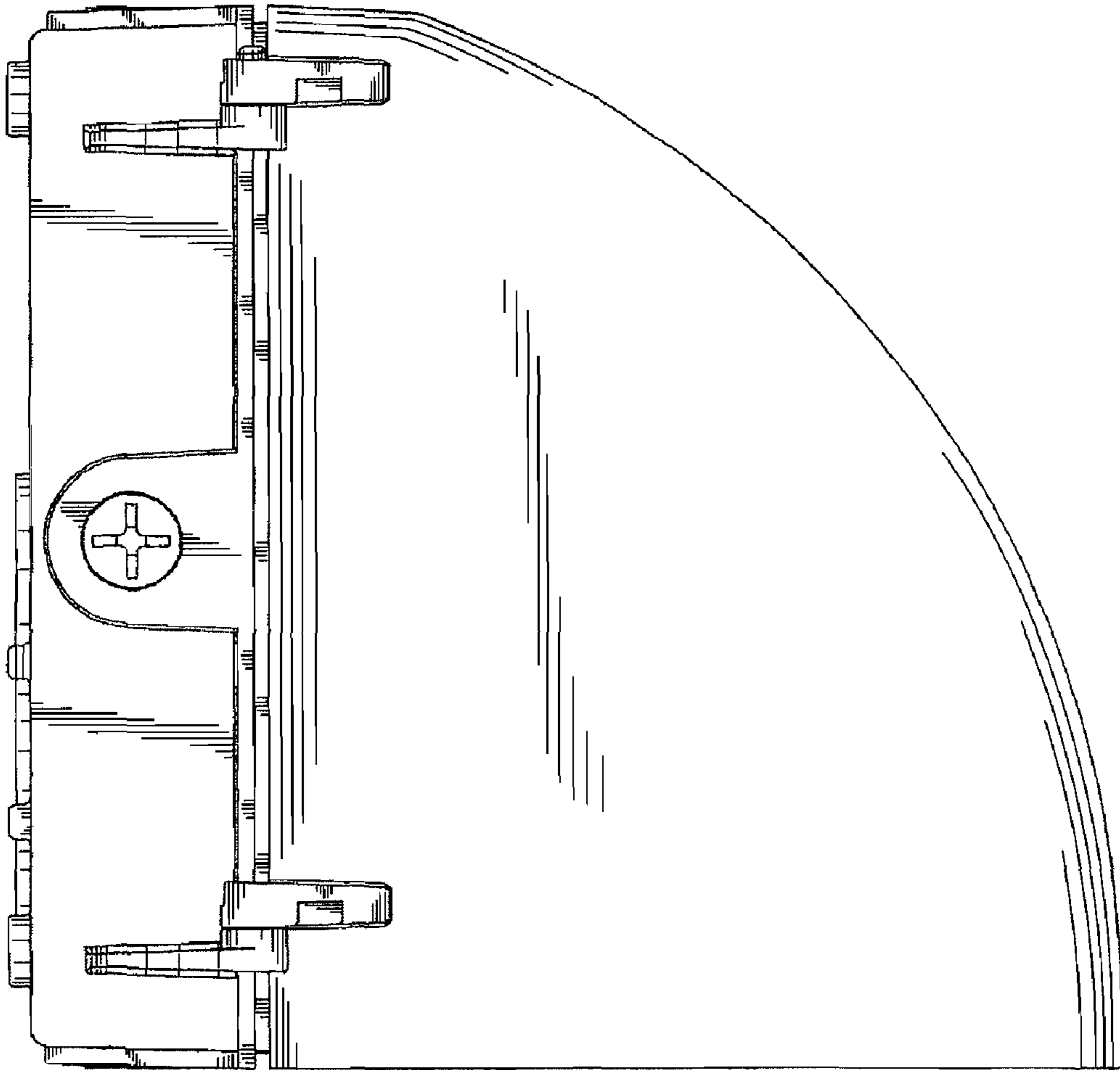


Fig. 6

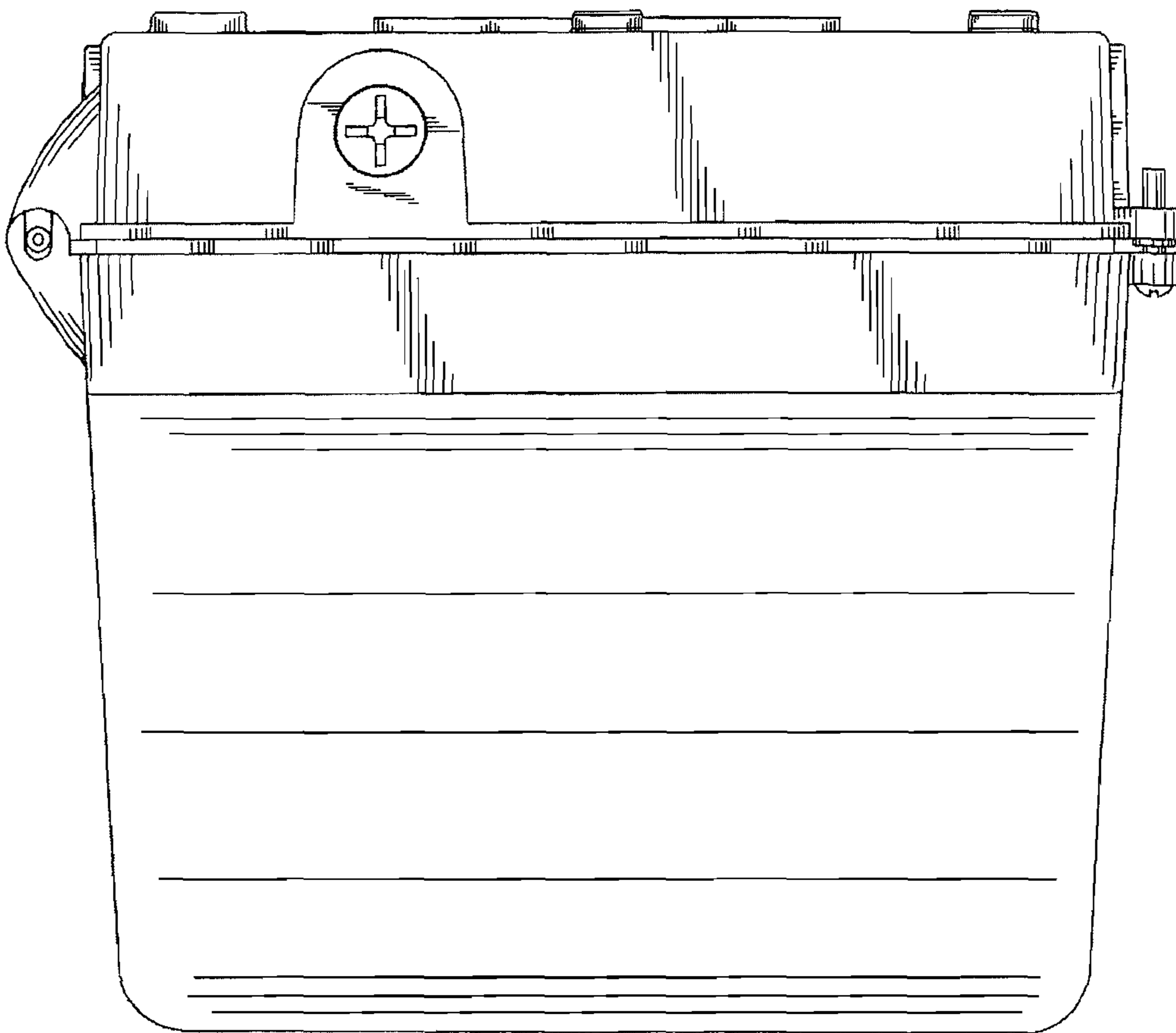


Fig. 7

