



US00D561376S

(12) **United States Design Patent**
Guercio

(10) **Patent No.:** **US D561,376 S**

(45) **Date of Patent:** **** Feb. 5, 2008**

(54) **MEDIUM WALLPACK LUMINAIRE**

(75) Inventor: **Vincenzo Guercio**, Wallkill, NY (US)

(73) Assignee: **Rab Lighting, Inc.**, Northvale, NJ (US)

(**) Term: **14 Years**

(21) Appl. No.: **29/221,760**

(22) Filed: **Jan. 19, 2005**

(51) **LOC (8) Cl.** **26-03**

(52) **U.S. Cl.** **D26/85**

(58) **Field of Classification Search** D26/63,
D26/71, 72, 85; 362/147, 431, 432, 282
See application file for complete search history.

(56) **References Cited**

U.S. PATENT DOCUMENTS

D190,385 S *	5/1961	Schreckengost	D26/85
D390,999 S *	2/1998	Gaskins et al.	D26/85
D440,683 S *	4/2001	Guercio	D26/85
D456,928 S *	5/2002	Russello et al.	D26/85
D475,154 S *	5/2003	Binsukor	D26/72
D494,701 S *	8/2004	Campbell	D26/85

OTHER PUBLICATIONS

Model No. WM-256 by S. Lite Co., Ltd. (Taiwan). Lighting Cens.
Vol. 78. Dec. 2004. p. 88. ISSN: 1682-7945.

* cited by examiner

Primary Examiner—Clare E Heflin

(74) *Attorney, Agent, or Firm*—Darby & Darby P.C.

(57) **CLAIM**

The ornamental design for a medium wallpack luminaire, as shown and described.

DESCRIPTION

FIG. 1 is a perspective view of a medium wallpack luminaire;

FIG. 2 is a front elevation view of the medium wallpack luminaire of FIG. 1;

FIG. 3 is a right side elevation view of the medium wallpack luminaire of FIG. 1;

FIG. 4 is a rear elevation view of the medium wallpack luminaire of FIG. 1;

FIG. 5 is a left side elevation view of the medium wallpack luminaire of FIG. 1;

FIG. 6 is a top plan view of the medium wallpack luminaire of FIG. 1; and,

FIG. 7 is a bottom plan view of the medium wallpack luminaire of FIG. 1.

1 Claim, 7 Drawing Sheets

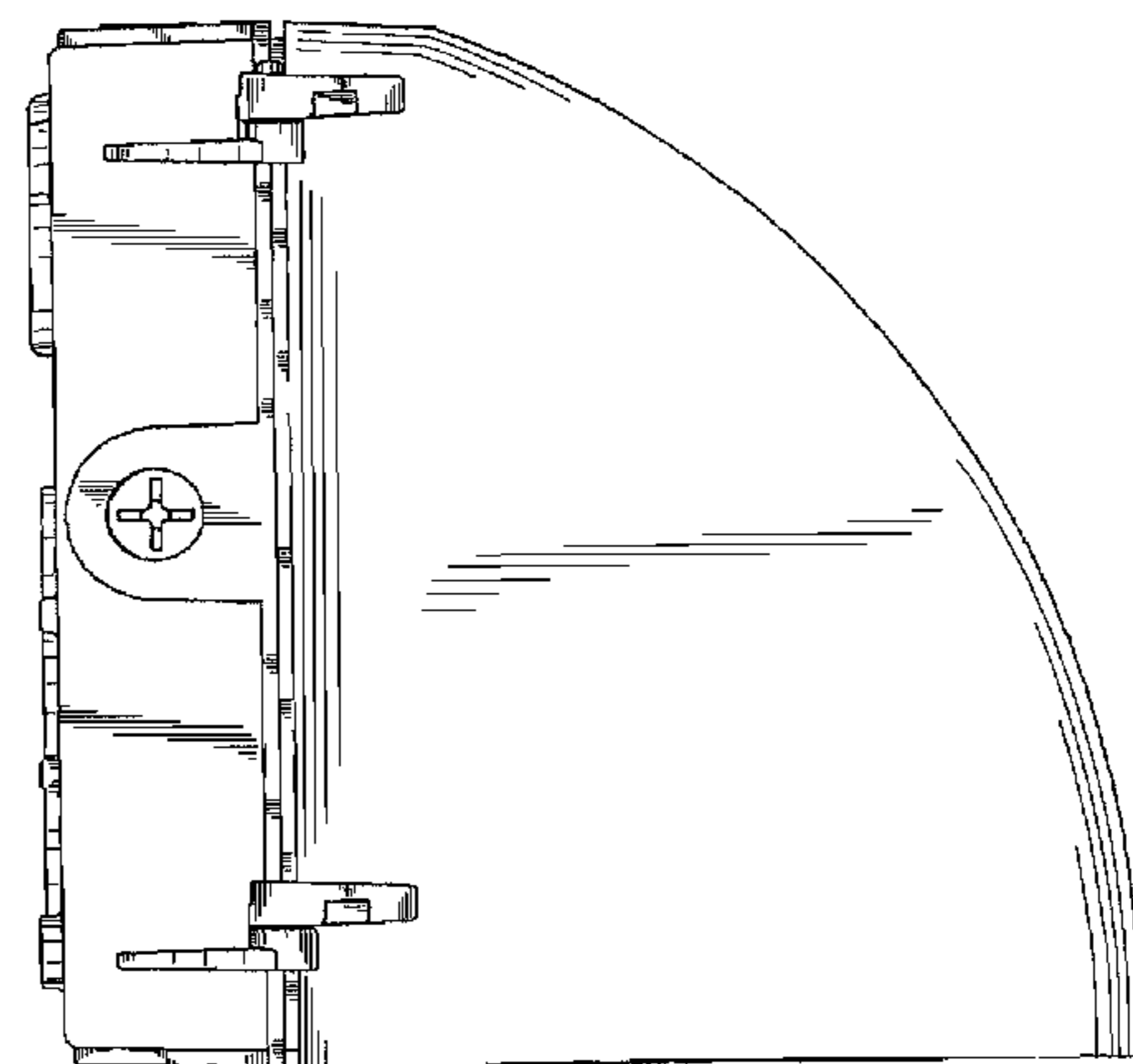
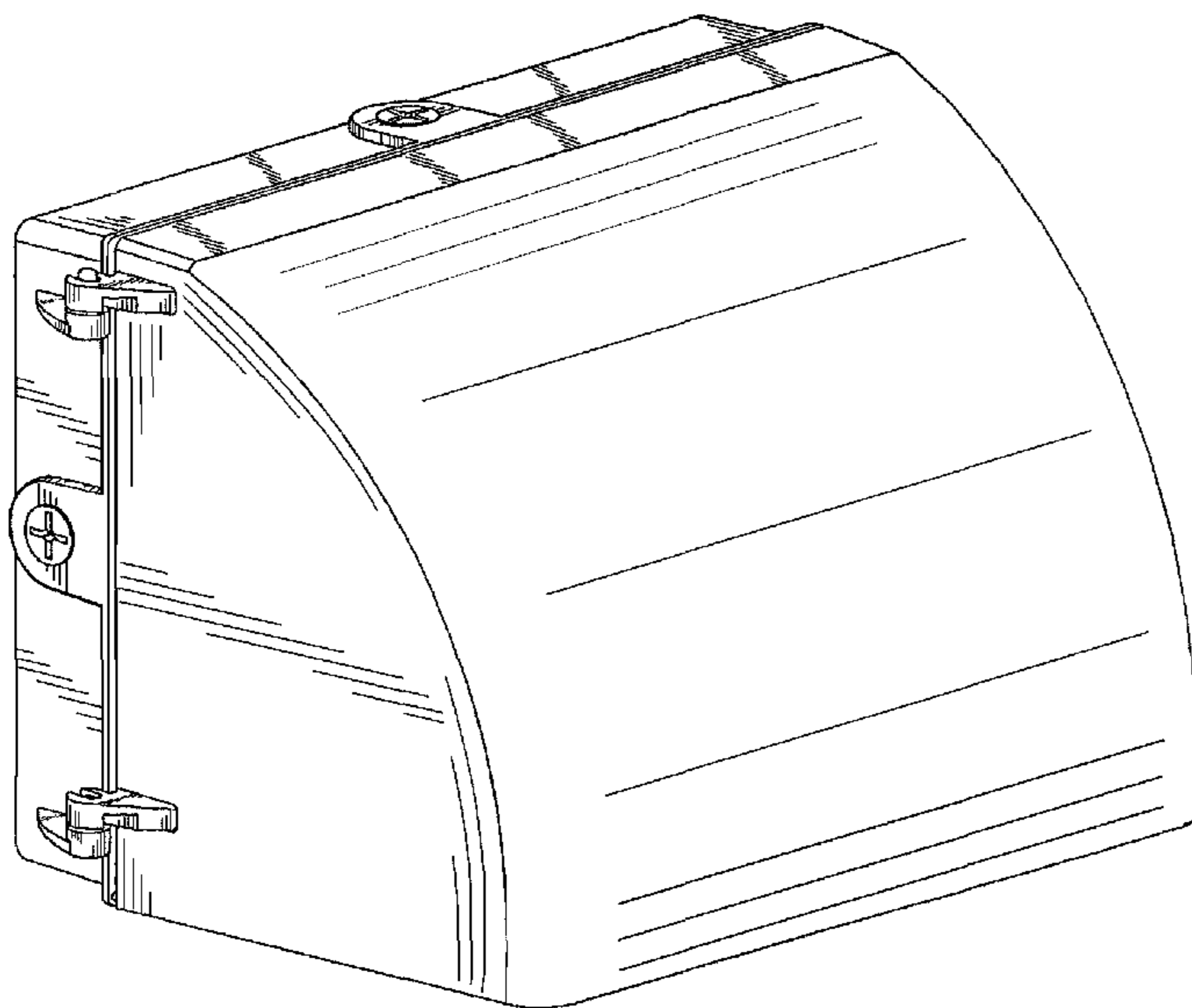


Fig. 1

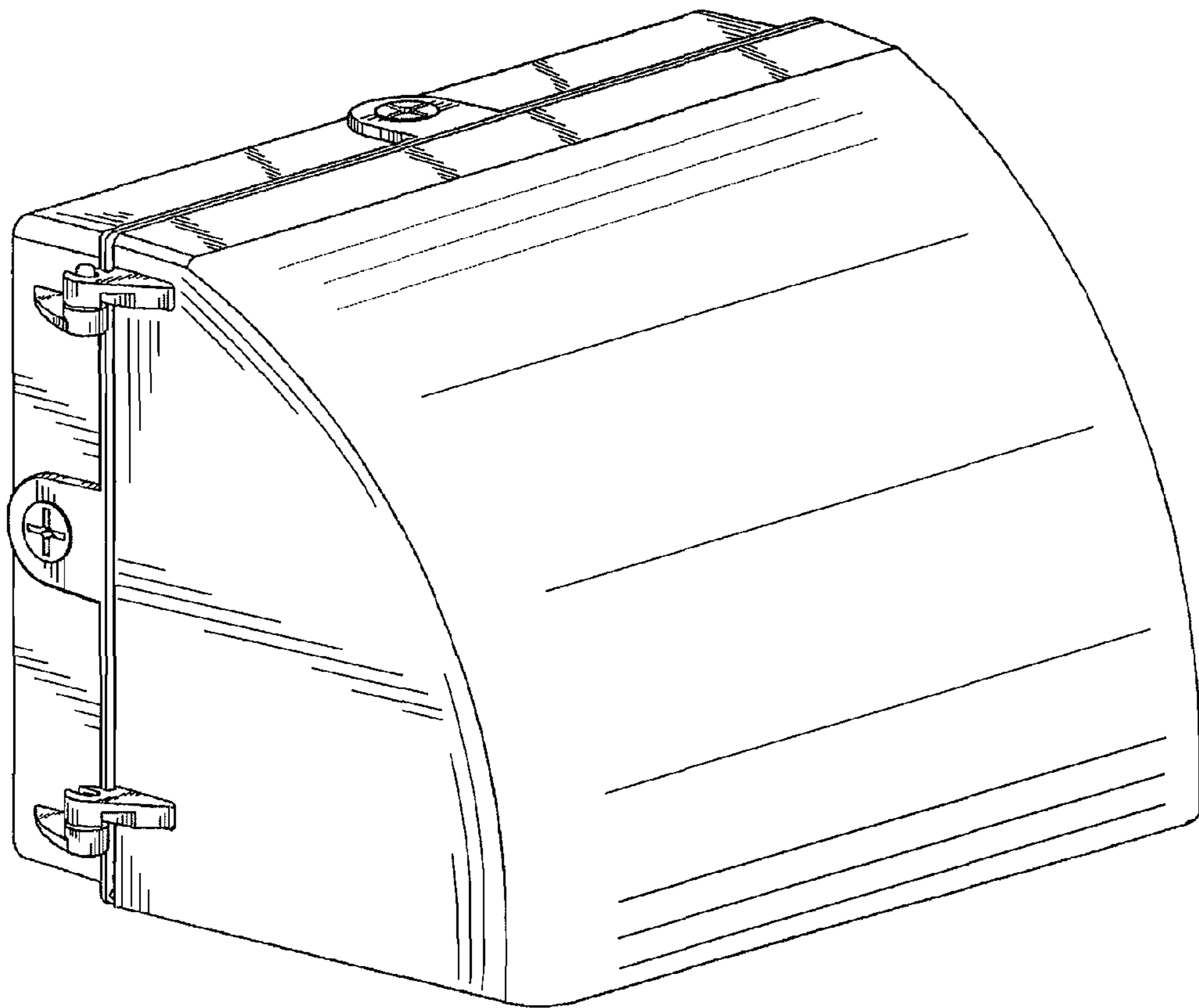


Fig. 2

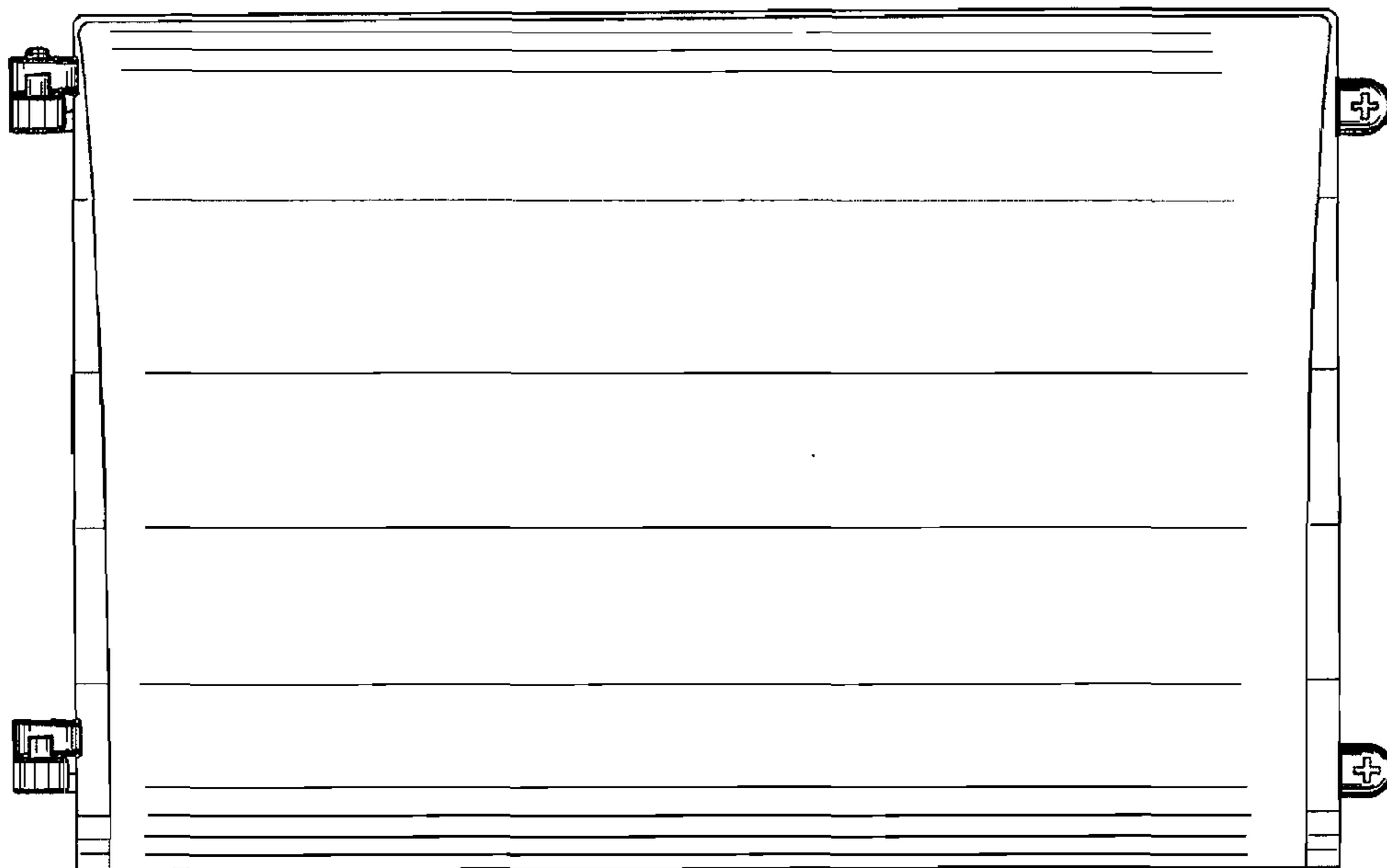


Fig. 3

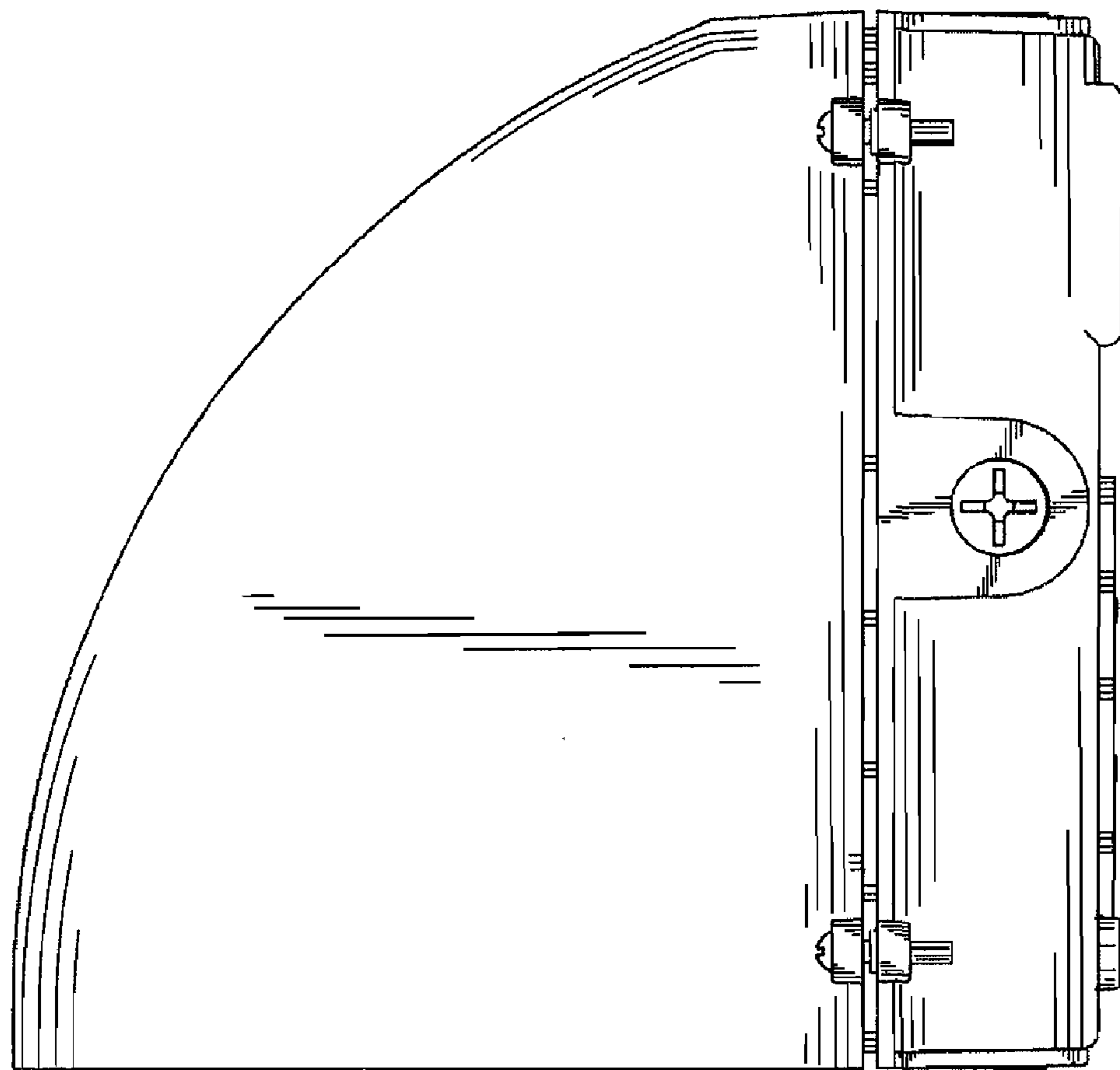


Fig. 4

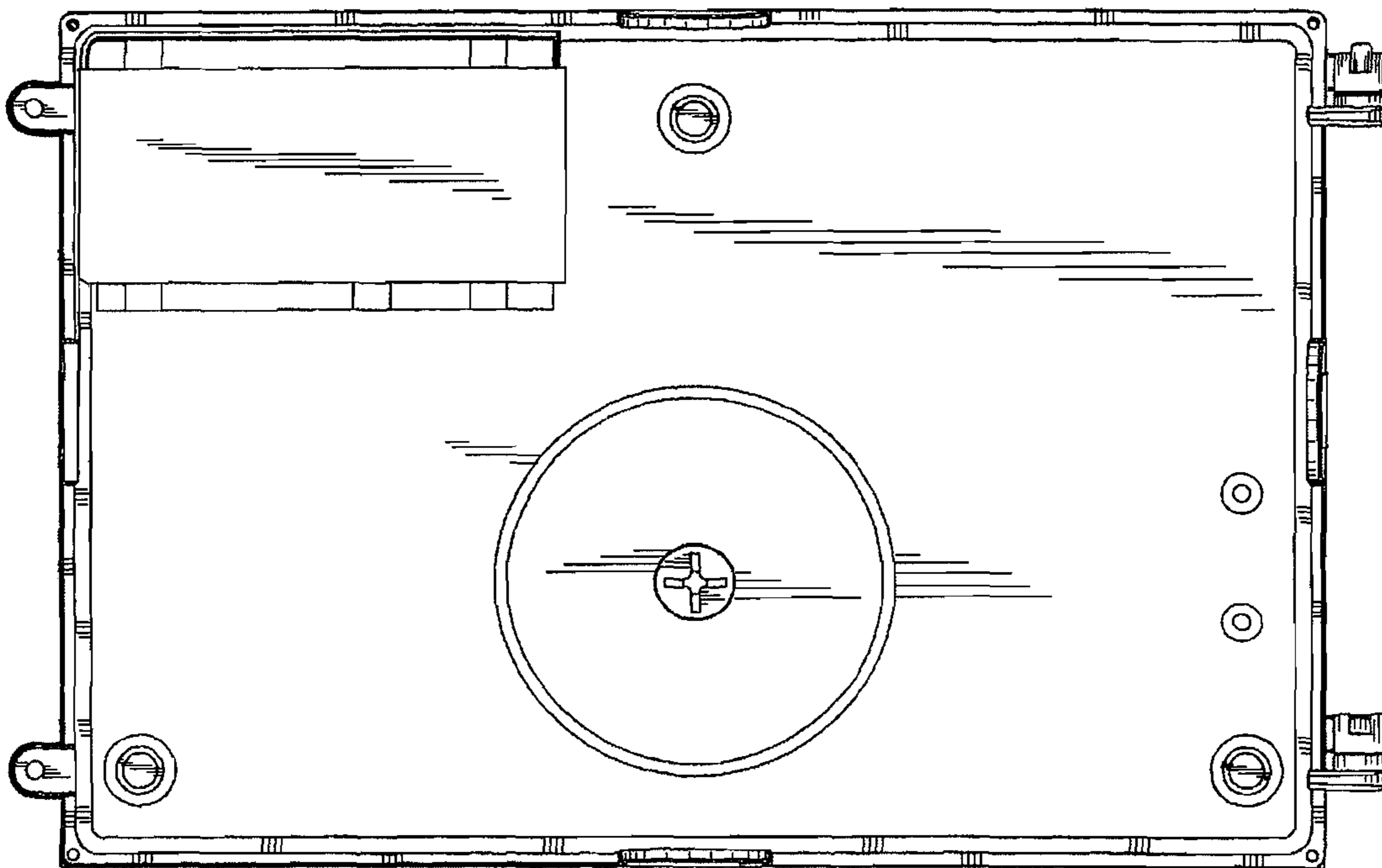


Fig. 5

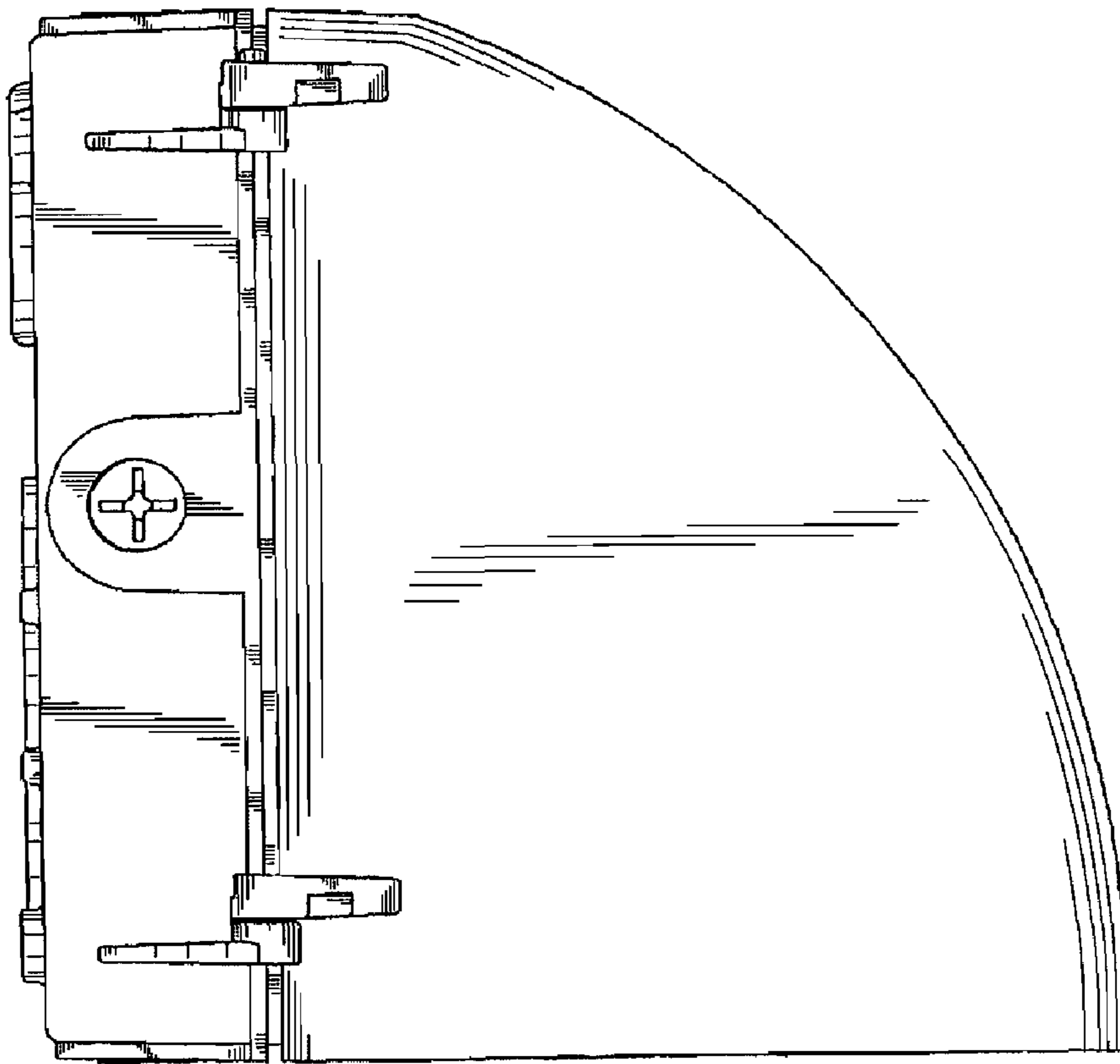


Fig. 6

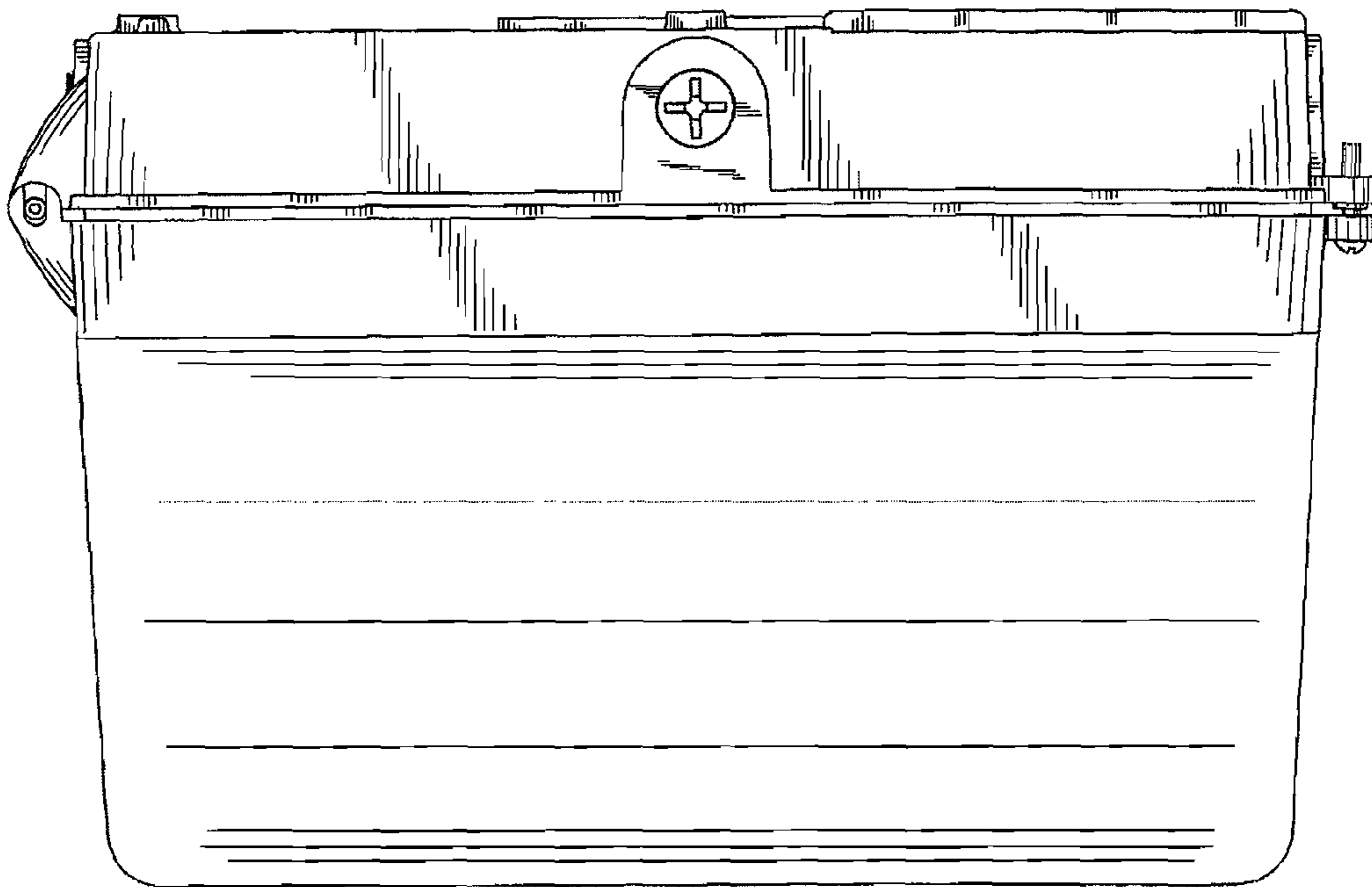


Fig. 7

