



US00D561369S

(12) **United States Design Patent**  
**Sandell**

(10) **Patent No.:** **US D561,369 S**  
(45) **Date of Patent:** **\*\* Feb. 5, 2008**

(54) **AREA LIGHT WITH VISOR FRAME**

(57) **CLAIM**

(75) Inventor: **Donald R. Sandell**, San Jose, CA (US)

The ornamental design for an area light with visor frame, as shown and described.

(73) Assignee: **EML Technologies LLC**, Danville, CA (US)

**DESCRIPTION**

(\*\*) Term: **14 Years**

FIG. 1 is an overall perspective view of an area light with visor frame showing my design with a portion of the area light shown in broken lines;

(21) Appl. No.: **29/276,563**

FIG. 2 is a front elevational view of the area light of FIG. 1;

(22) Filed: **Jan. 29, 2007**

FIG. 3 is a rear elevational view of the area light of FIG. 1 with a portion of the area light shown in broken lines;

(51) **LOC (8) Cl.** ..... **26-05**

(52) **U.S. Cl.** ..... **D26/63**

FIG. 4 is a top plan view of the area light of FIG. 1 with a portion of the area light shown in broken lines;

(58) **Field of Classification Search** ..... 26/60-72,  
26/118, 24, 87, 92, 84, 51; 362/16, 86, 267,  
362/271, 272, 275, 276, 287, 288, 427, 428,  
362/429, 341, 345, 347, 349, 359, 361, 362,  
362/374, 383, 384, 396, 387, 403

FIG. 5 is a bottom plan view of the area light of FIG. 1 with a portion of the area light shown in broken lines; and

See application file for complete search history.

FIG. 6 is a left side elevational view of the area light of FIG. 1 with a portion of the area light shown in broken lines, the right side being a mirror image;

(56) **References Cited**

FIG. 7 is an overall perspective view of an alternative embodiment of an area light with visor frame showing my design with a portion of the area light shown in broken lines;

**U.S. PATENT DOCUMENTS**

FIG. 8 is a front elevational view of the area light embodiment of FIG. 7;

3,363,091	A *	1/1968	Cooper	.....	362/293
D229,628	S *	12/1973	Wolfson	.....	D26/67
D267,516	S *	1/1983	Rambusch et al.	.....	D26/72
4,480,809	A *	11/1984	Healey	.....	248/185.1
D308,111	S *	5/1990	Banathy et al.	.....	D26/68
D345,025	S	3/1994	Tsao		
D345,226	S	3/1994	Tsao		
D360,962	S *	8/1995	Cornell et al.	.....	D26/67
D404,165	S *	1/1999	Vakil	.....	D26/85
D407,836	S	4/1999	Leen		
D420,458	S	2/2000	Guercio		
D464,757	S *	10/2002	Echito	.....	D26/75

FIG. 9 is a rear elevational view of the area light embodiment of FIG. 7 with a portion of the area light shown in broken lines;

\* cited by examiner

FIG. 10 is a top plan view of the area light embodiment of FIG. 7 with a portion of the area light shown in broken lines; and,

*Primary Examiner*—Cathron Brooks

*Assistant Examiner*—Barbara Fox

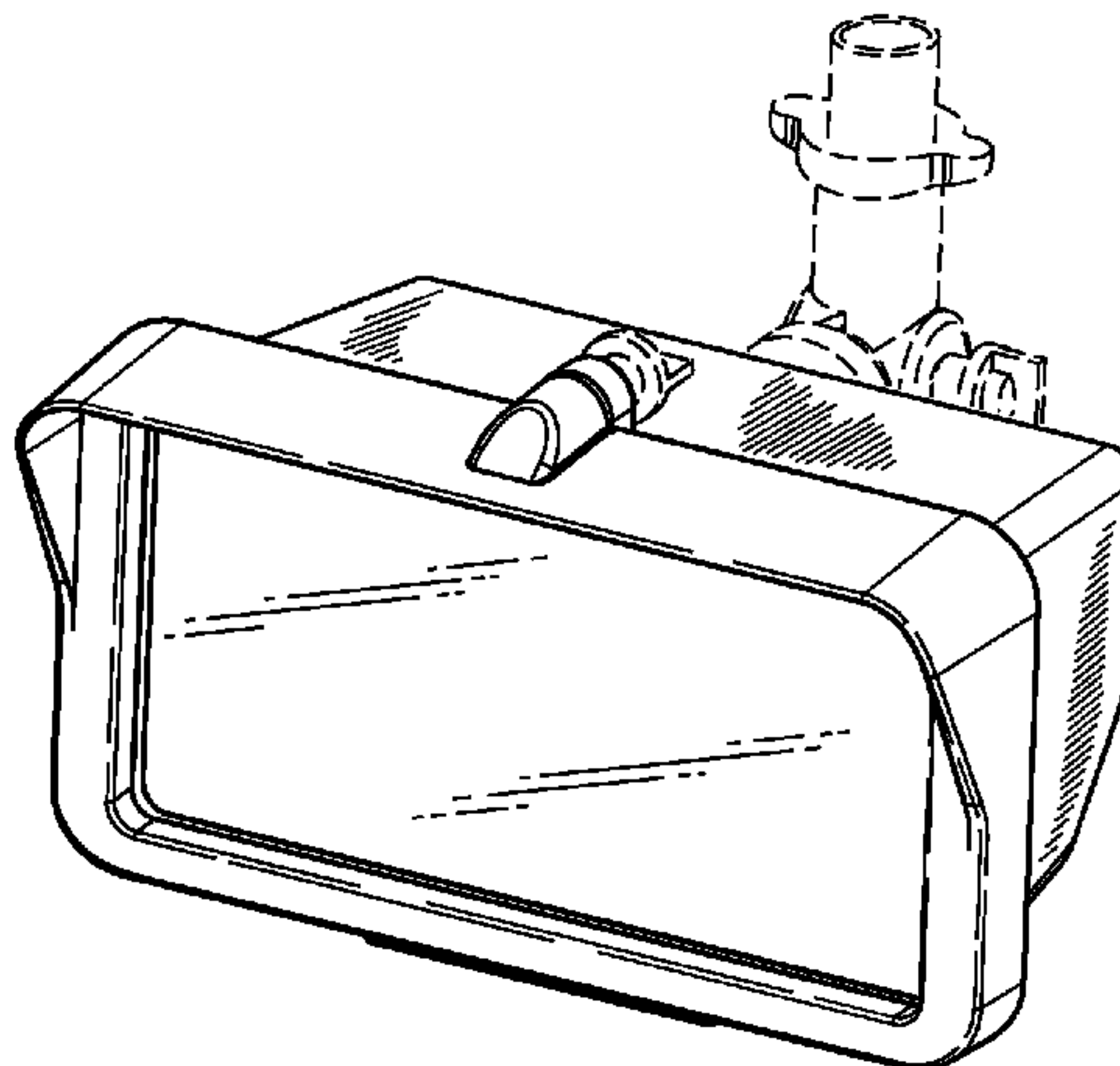
(74) *Attorney, Agent, or Firm*—Elliot B. Aronson

FIG. 11 is a bottom plan view of the area light embodiment of FIG. 7 with a portion of the area light shown in broken lines.

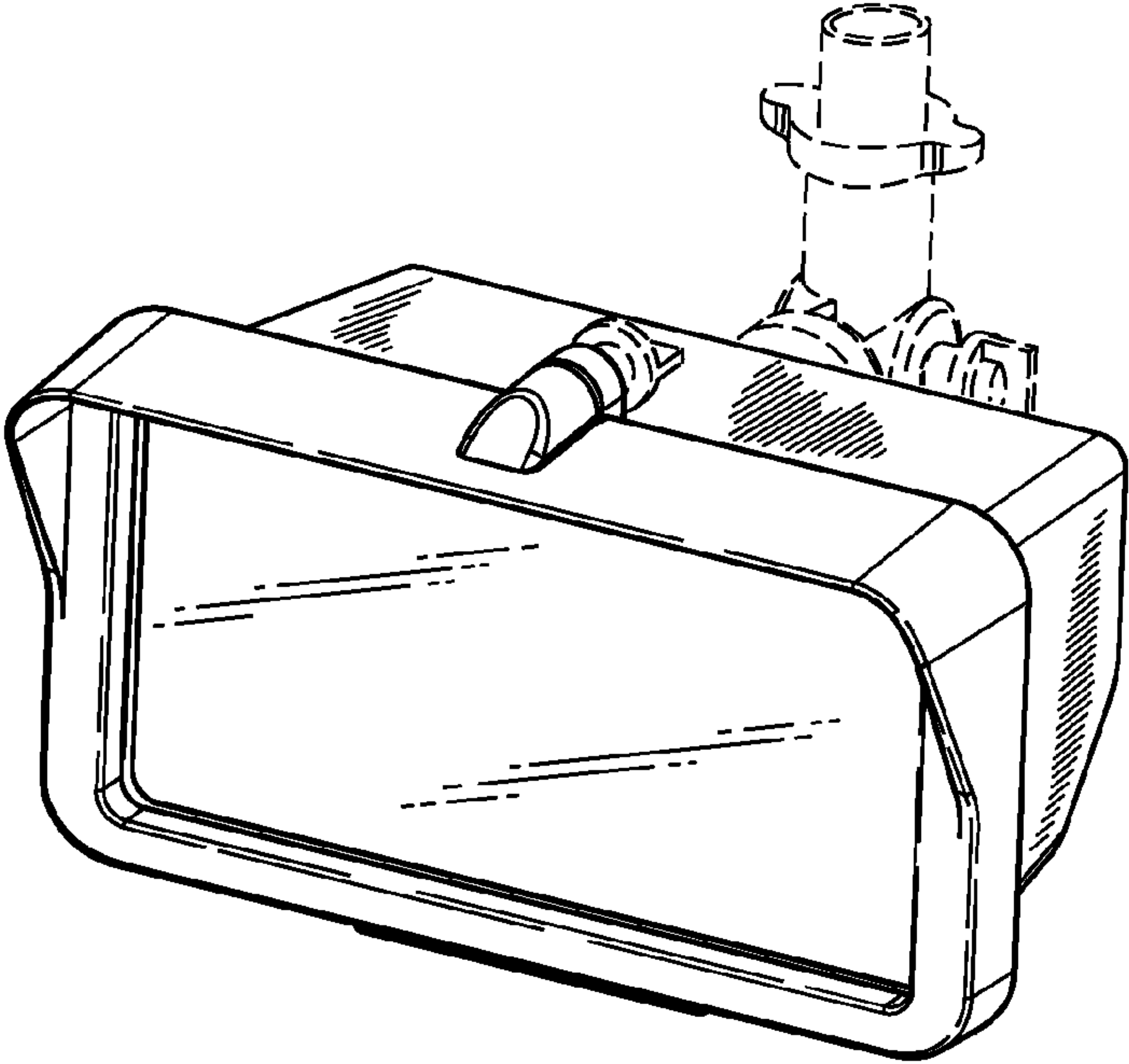
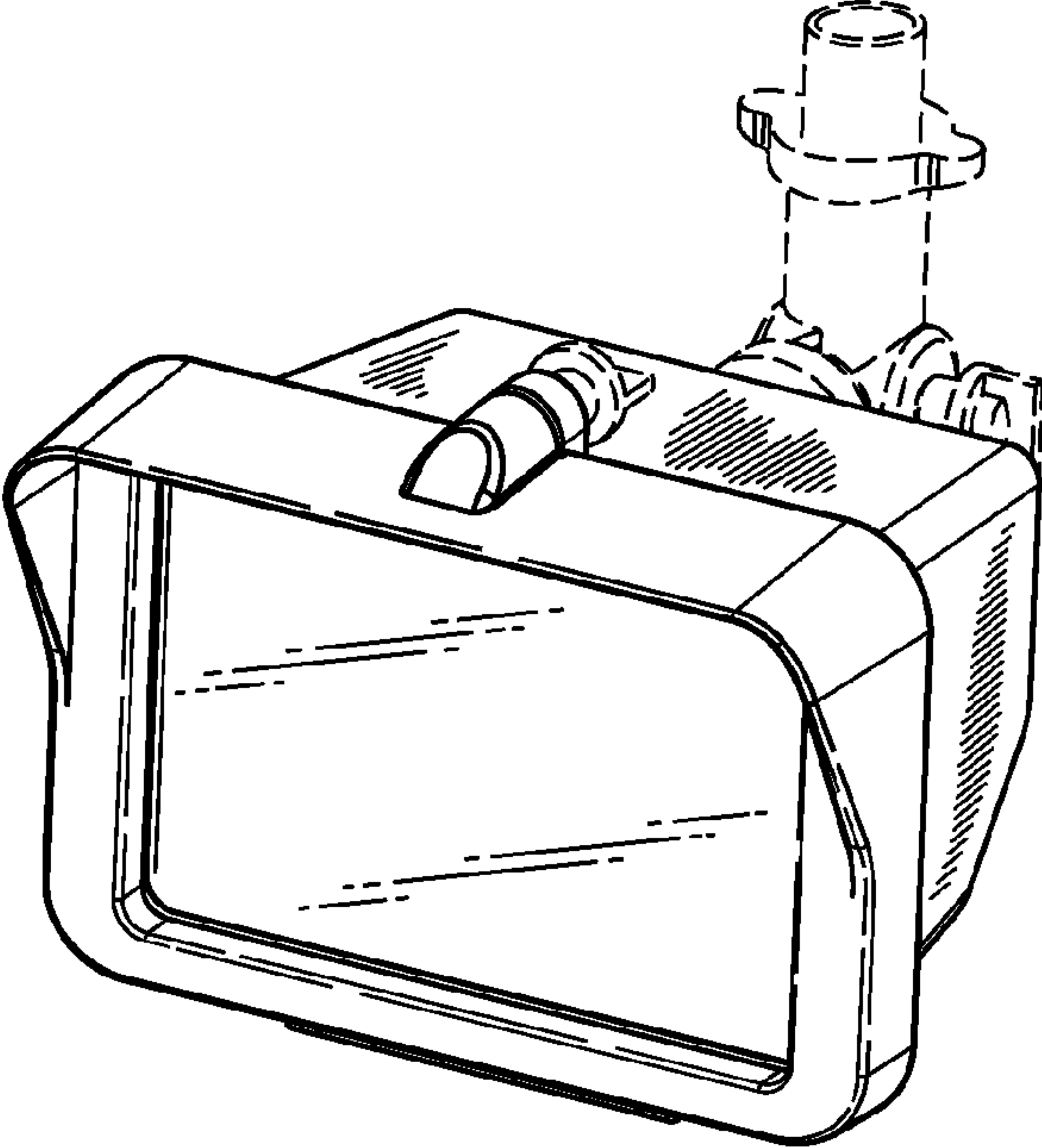
The left side elevational view of the area light embodiment of FIG. 7 is the same as FIG. 6, the right side being a mirror image.

The broken lines in the Figures are shown for illustrative purposes only and do not form part of the claimed design.

**1 Claim, 6 Drawing Sheets**



**FIG. 1**



**FIG. 7**

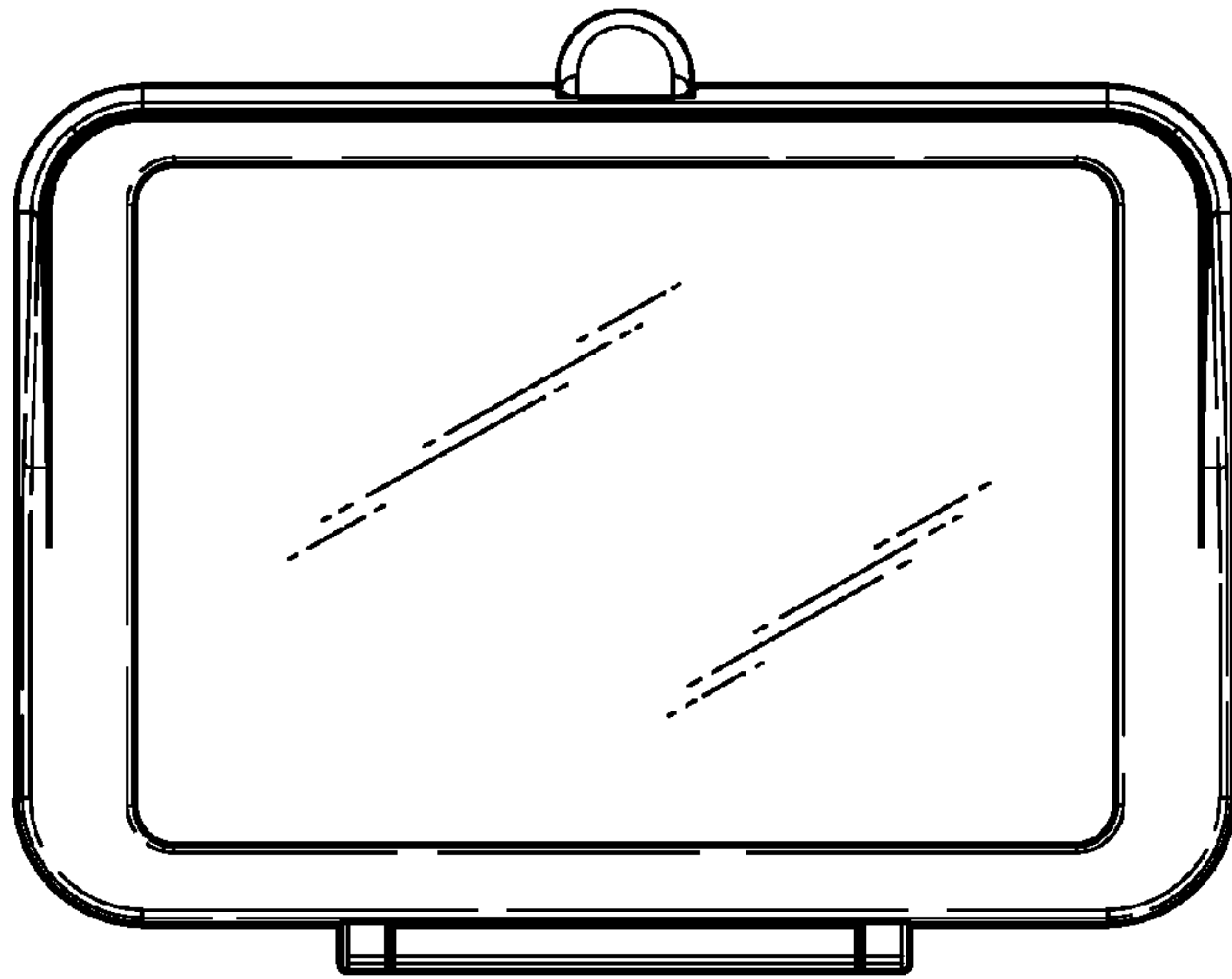


FIG. 2

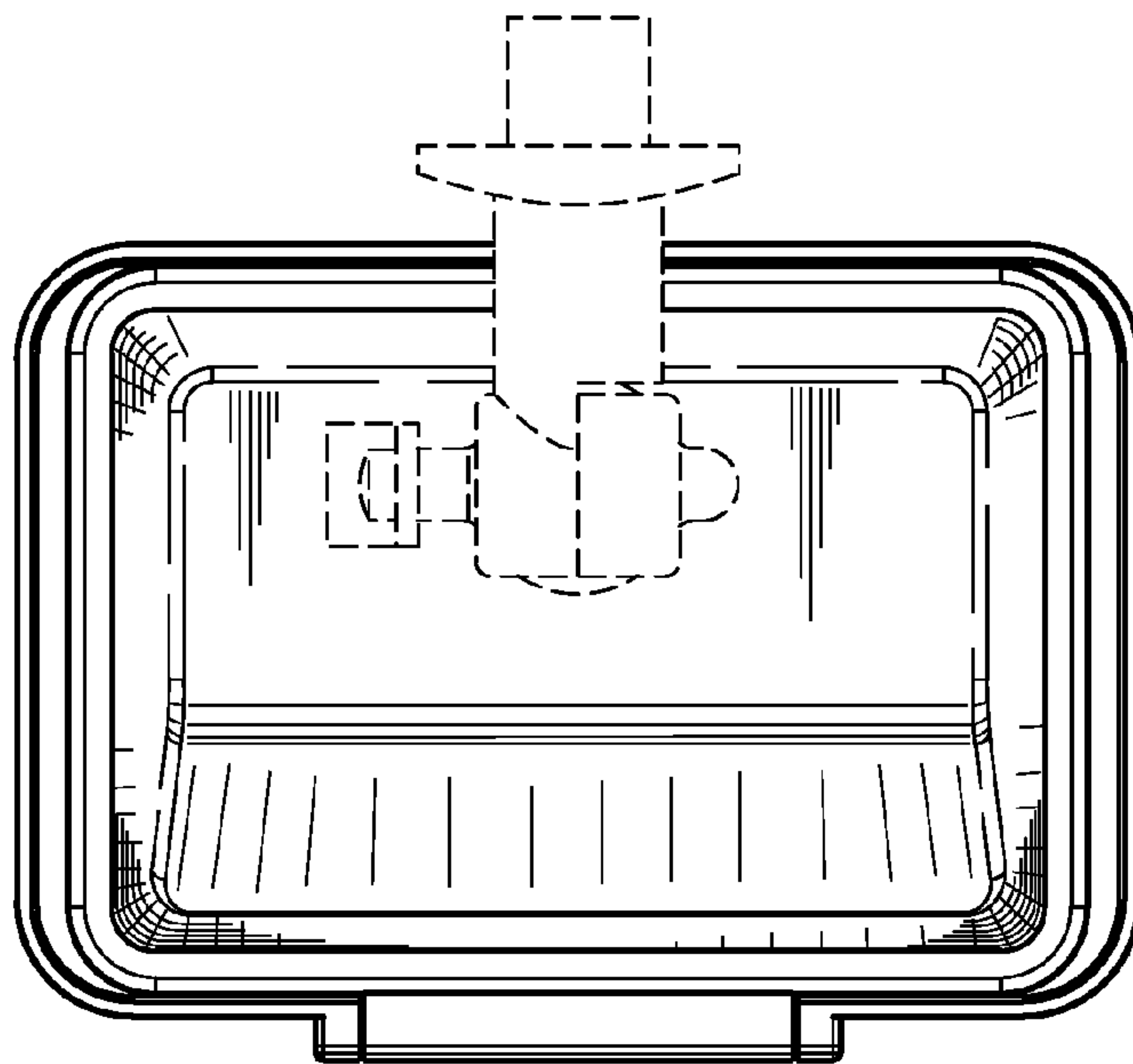
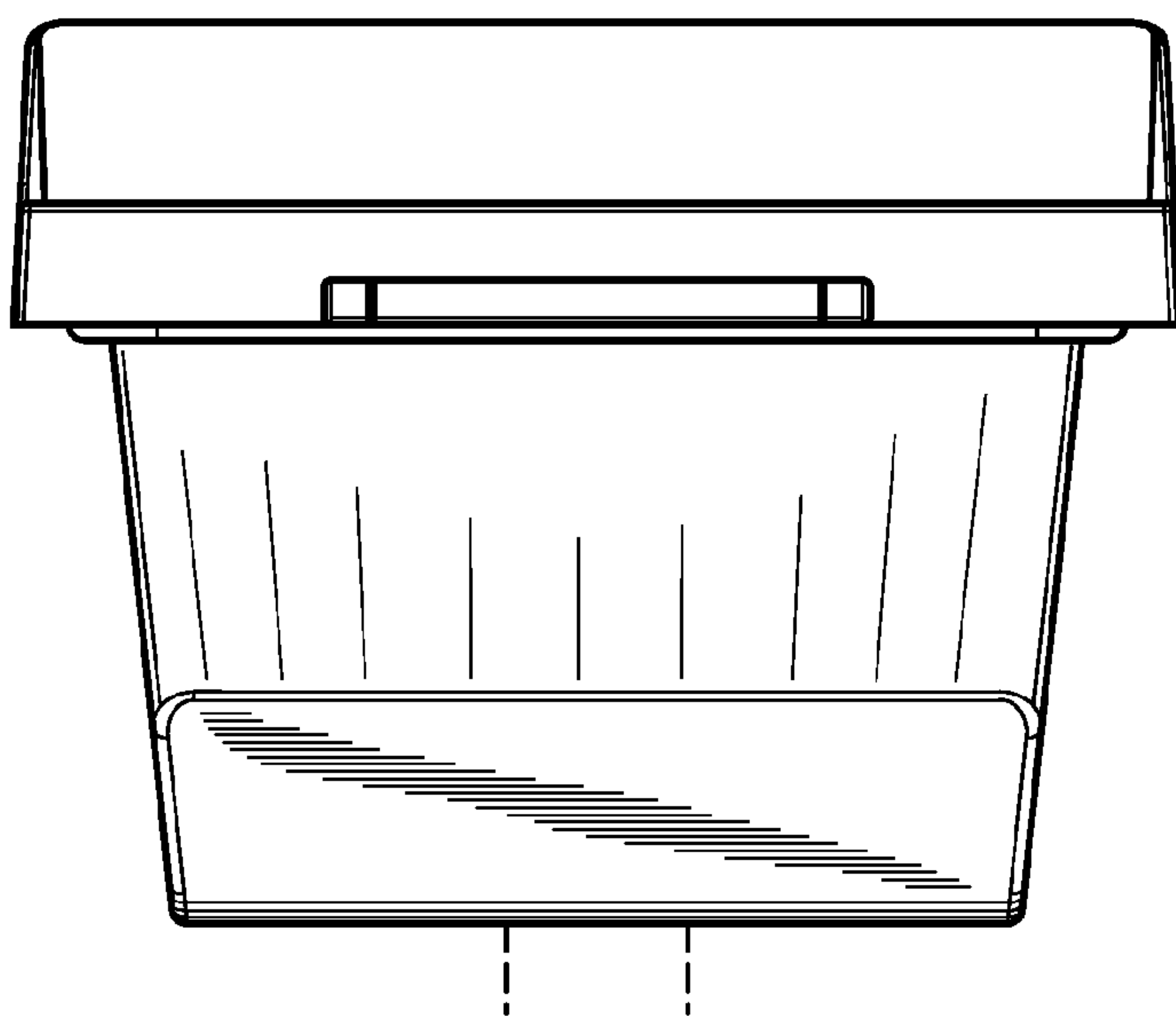
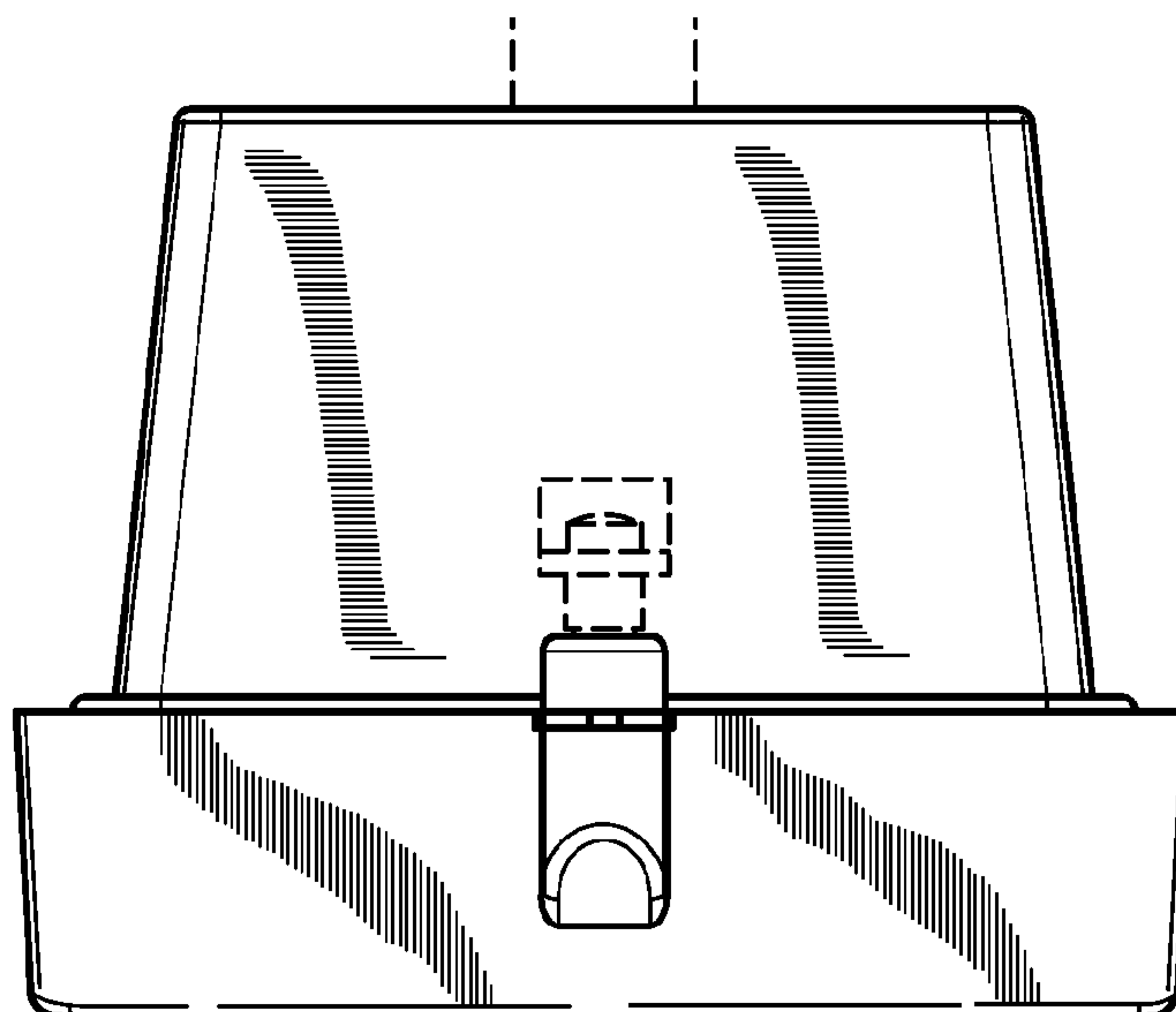


FIG. 3

**FIG. 4**



**FIG. 5**

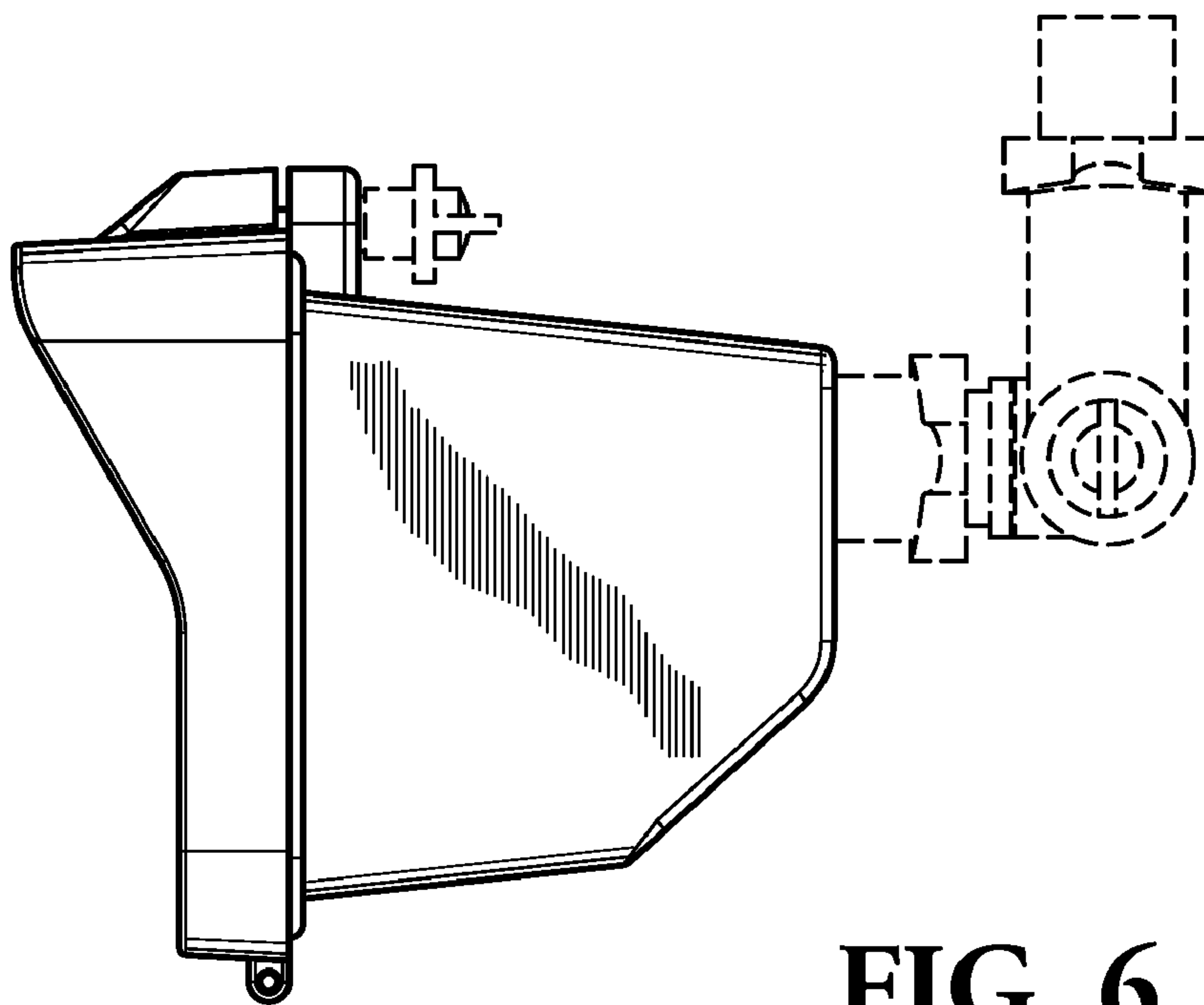
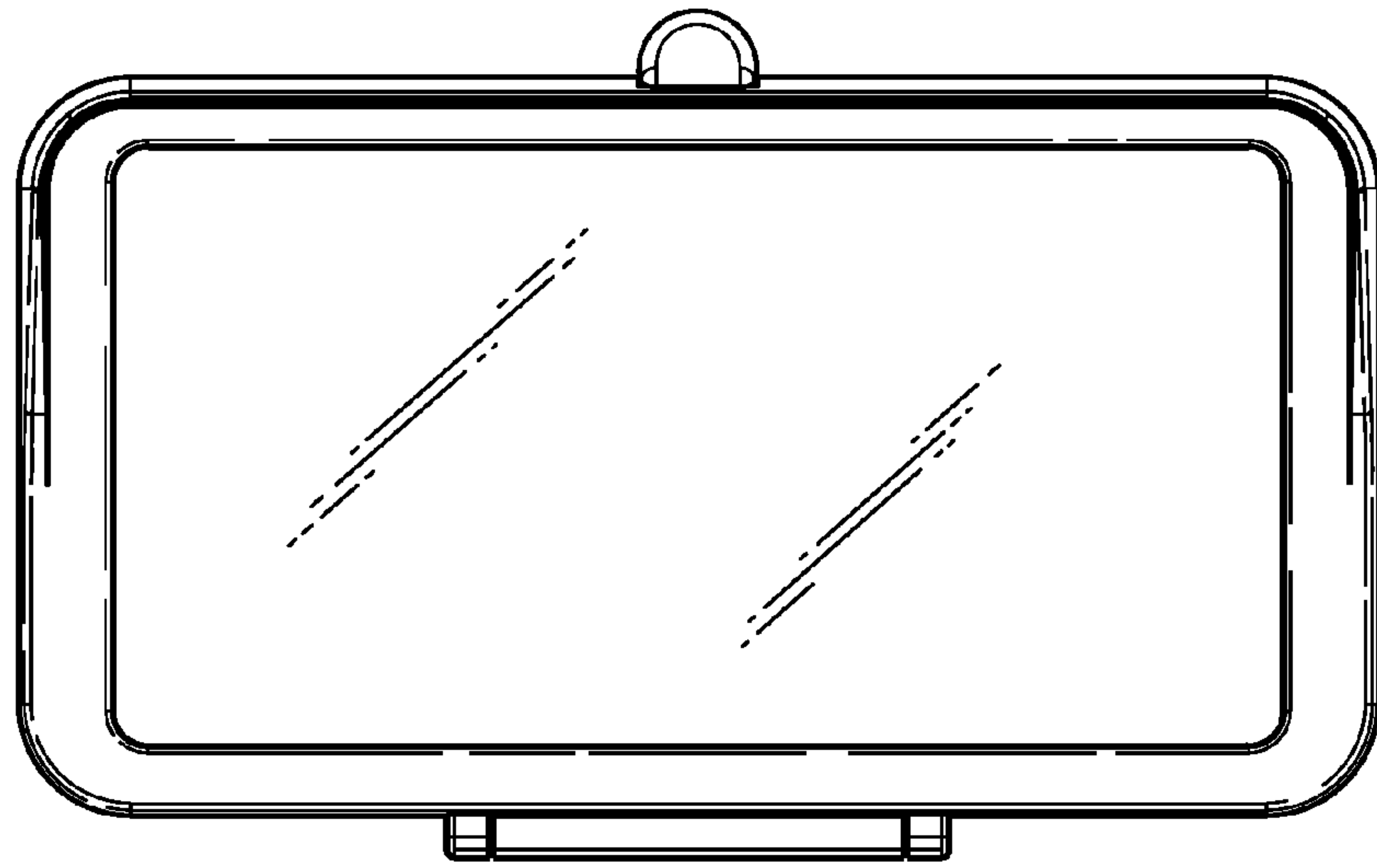
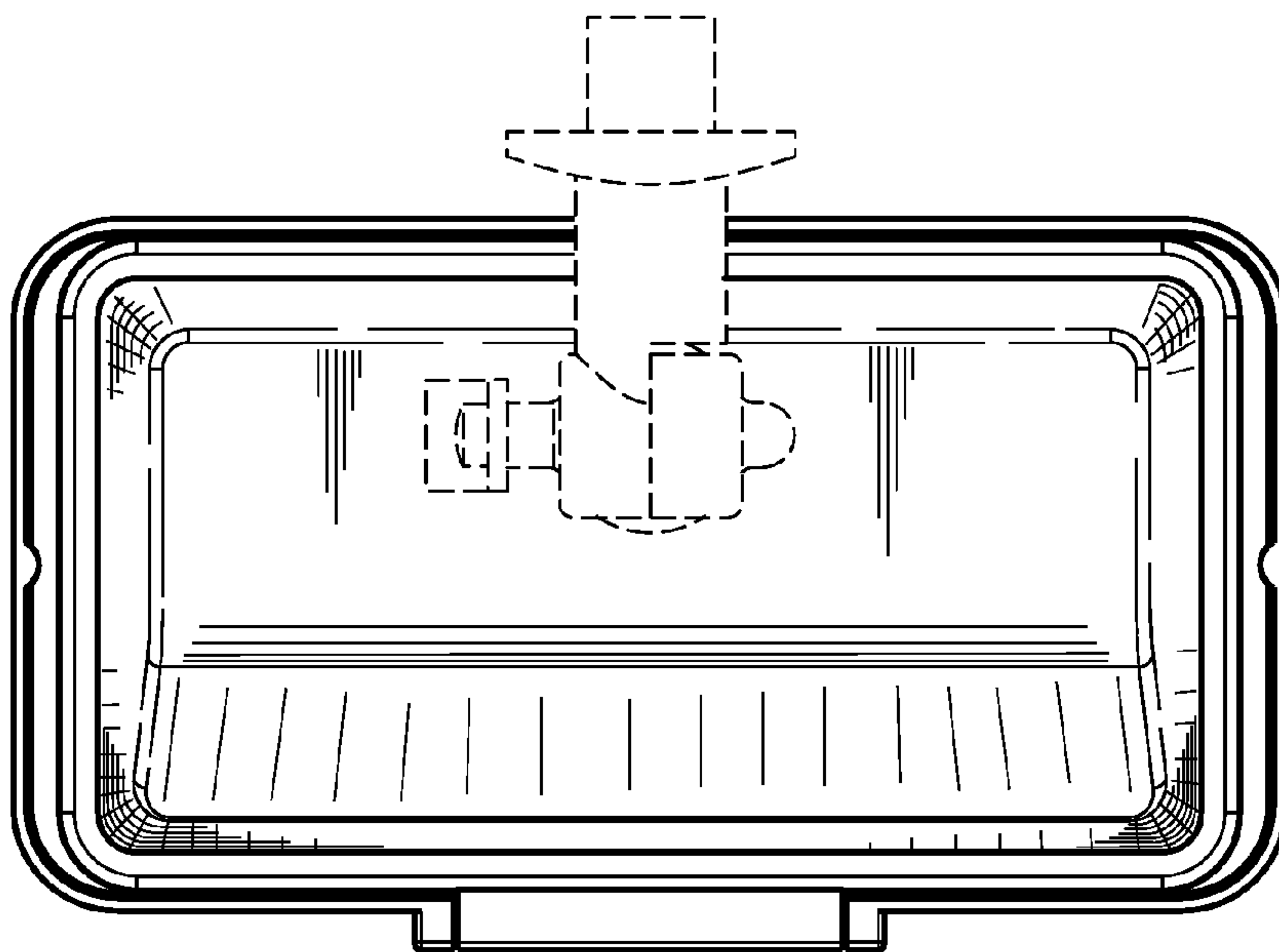


FIG. 6

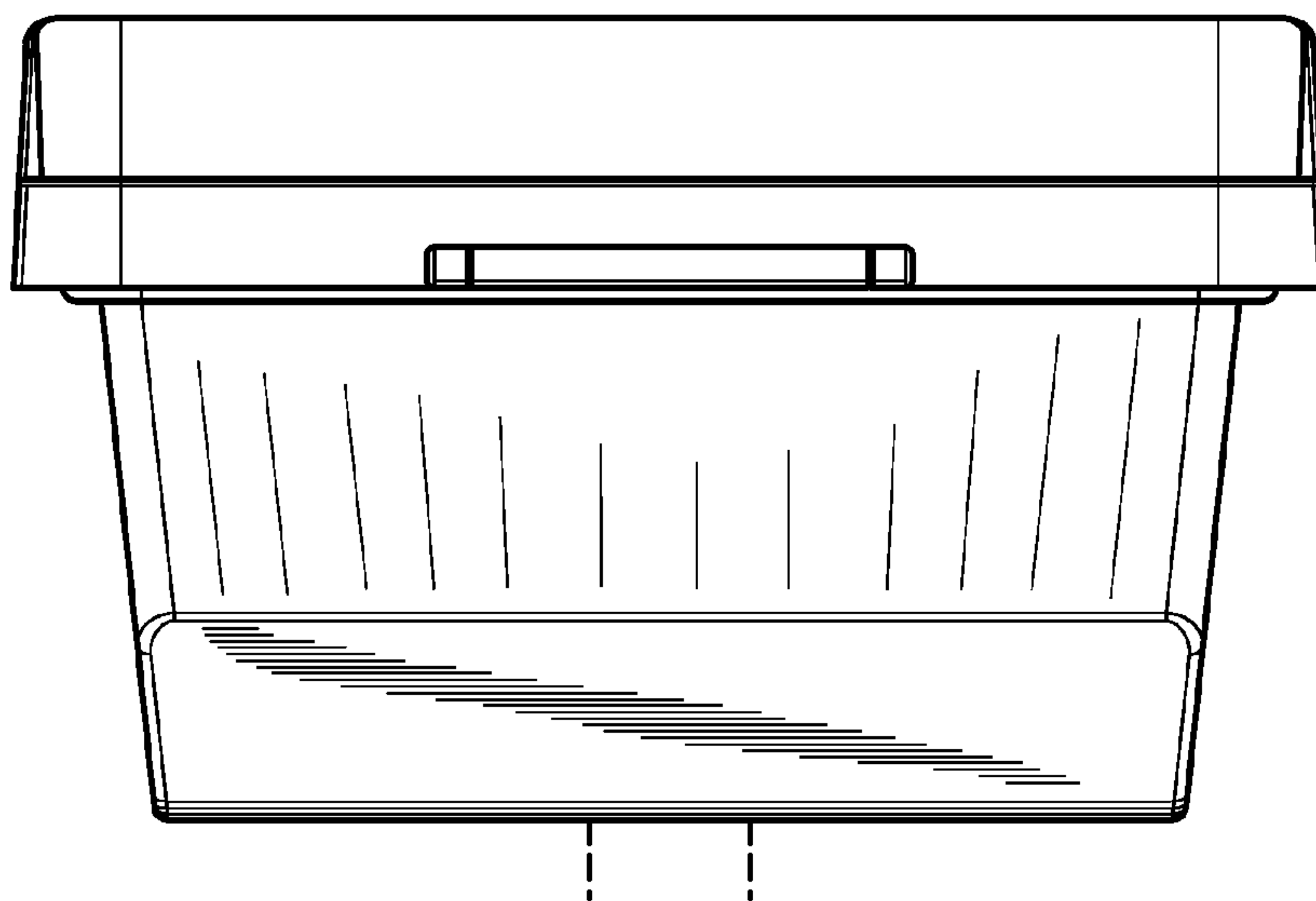
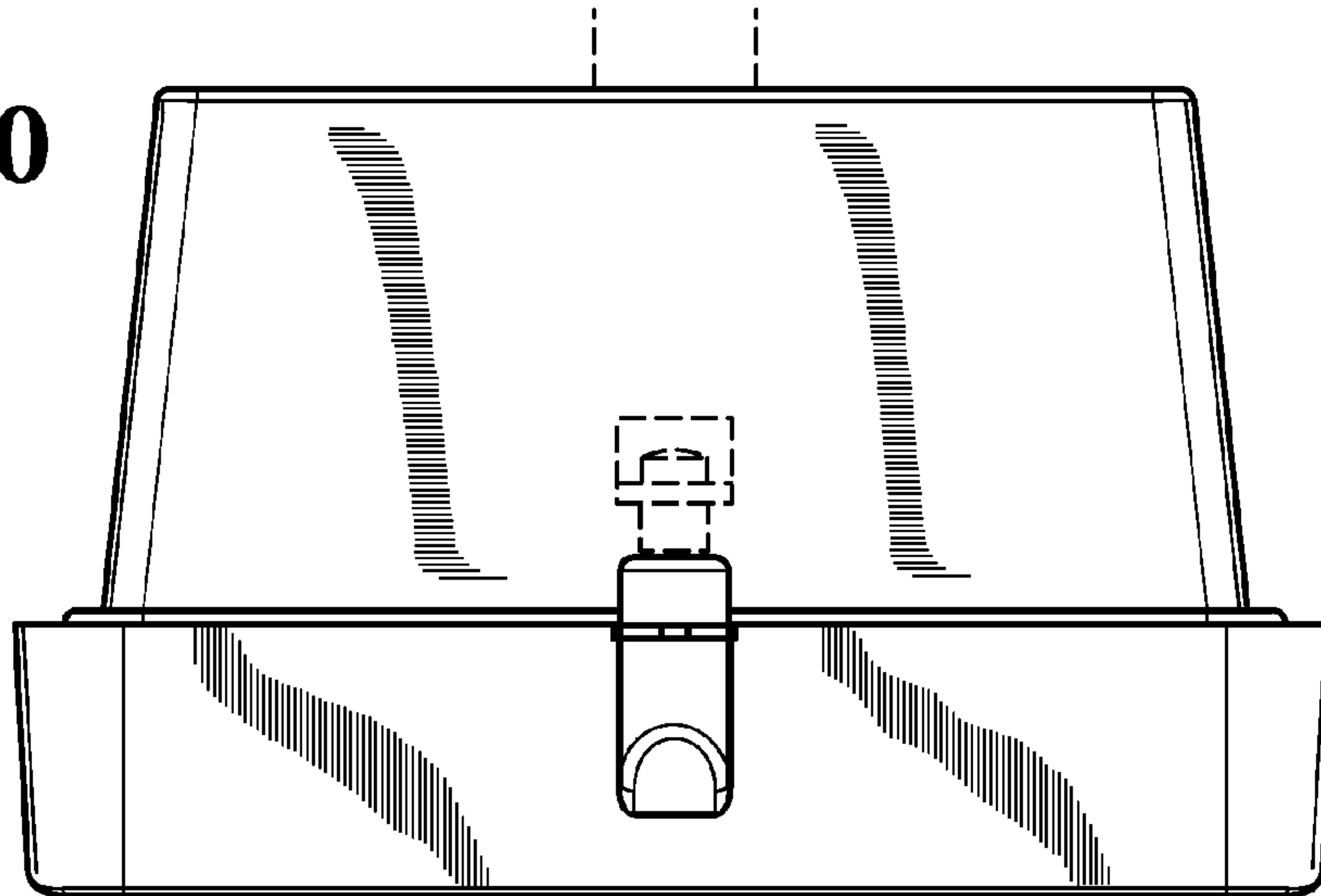


**FIG. 8**



**FIG. 9**

**FIG. 10**



**FIG. 11**