



US00D561368S

(12) **United States Design Patent**  
**Opolka**

(10) **Patent No.:** **US D561,368 S**

(45) **Date of Patent:** **\*\* Feb. 5, 2008**

(54) **SPOTLIGHT**

(75) Inventor: **Rainer Opolka**, Solingen (DE)

(73) Assignee: **Zweibruder Optoelectronics GmbH**, Solingen (DE)

(\*\*) Term: **14 Years**

(21) Appl. No.: **29/231,010**

(22) Filed: **May 31, 2005**

(30) **Foreign Application Priority Data**

Nov. 30, 2004 (EM) ..... 000260146

(51) **LOC (8) Cl.** ..... **26-05**

(52) **U.S. Cl.** ..... **D26/61**

(58) **Field of Classification Search** ..... D26/60-66,  
D26/93, 106, 110, 138, 142, 144; 362/101,  
362/147, 267, 269, 270, 275, 285, 286, 287,  
362/290, 410, 413, 418, 419, 427, 428, 429,  
362/430

See application file for complete search history.

(56) **References Cited**

**U.S. PATENT DOCUMENTS**

D120,741 S \* 5/1940 Naylor ..... D26/65  
D121,585 S \* 7/1940 Critoph ..... D26/63  
D128,125 S \* 7/1941 Rutledge ..... D26/24

D146,809 S \* 5/1947 Robinson ..... D26/63  
D203,144 S \* 12/1965 Patrick ..... D28/16  
D375,376 S \* 11/1996 Shen ..... D26/63  
D392,761 S \* 3/1998 Bellini et al. .... D26/63  
2002/0060911 A1\* 5/2002 Brockmann et al. .... 362/321  
2002/0159262 A1\* 10/2002 Romano et al. .... 362/345

\* cited by examiner

*Primary Examiner*—Cathron Brooks

*Assistant Examiner*—Barbara Fox

(74) *Attorney, Agent, or Firm*—Andrew Wilford

(57) **CLAIM**

The ornamental design for a spotlight, as shown.

**DESCRIPTION**

FIG. 1 is a right side elevational view of a spotlight showing my new design;

FIG. 2 is a left side elevational view thereof;

FIG. 3 is a top plan view thereof;

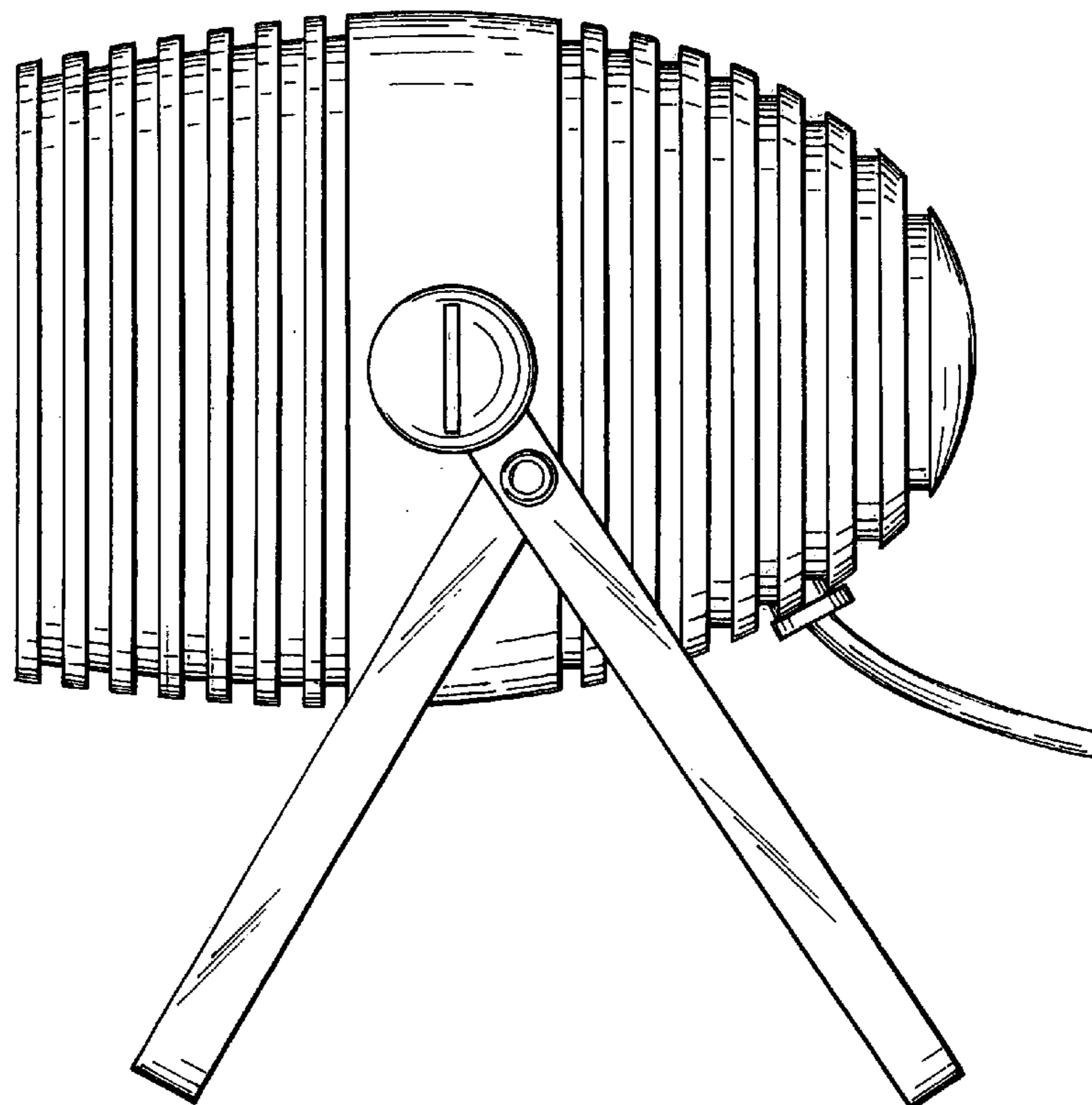
FIG. 4 is a bottom plan view thereof;

FIG. 5 is front elevational view thereof; and,

FIG. 6 is a rear elevational view thereof.

The broken lines in the drawings represent unclaimed subject matter.

**1 Claim, 6 Drawing Sheets**



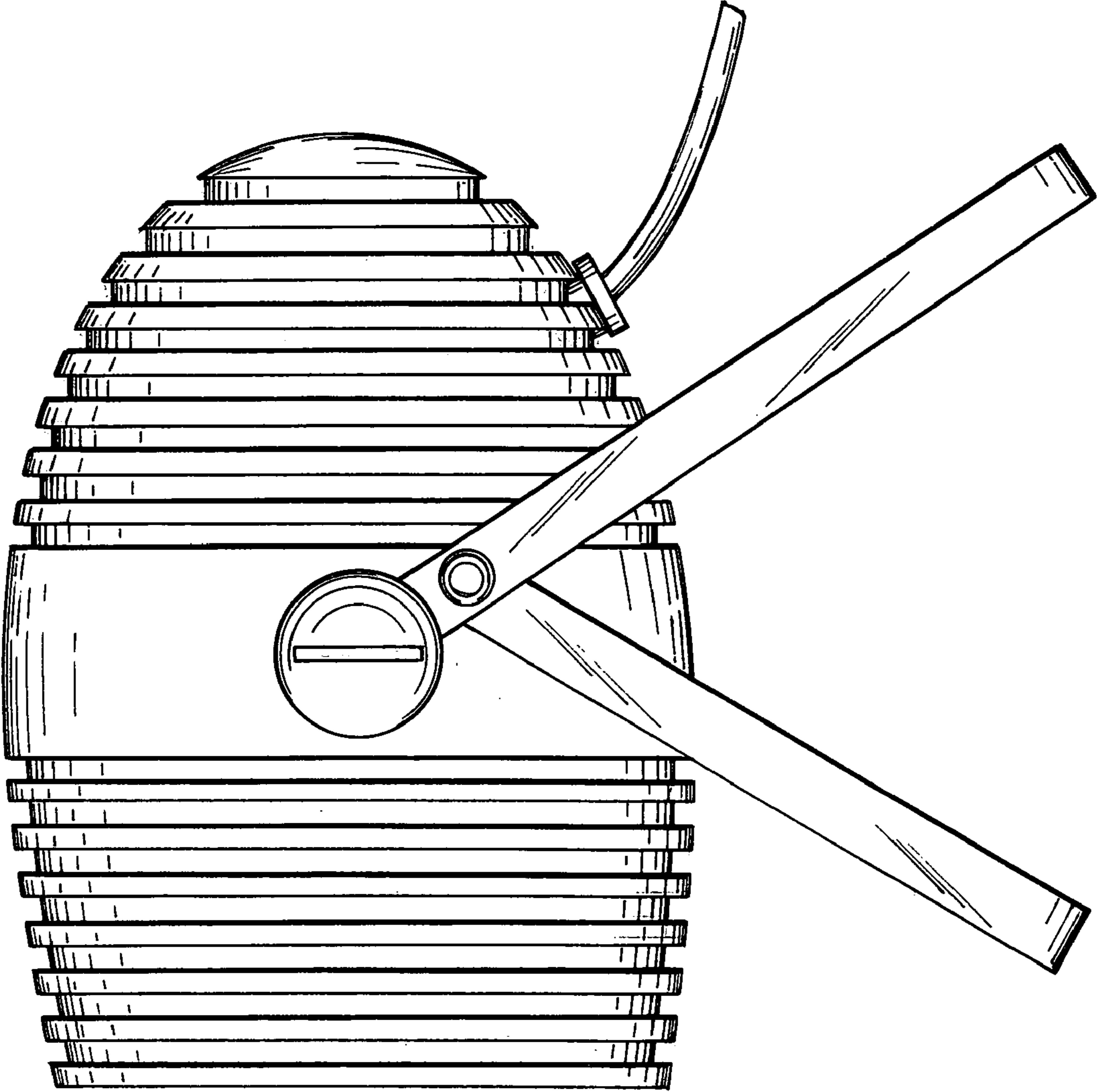
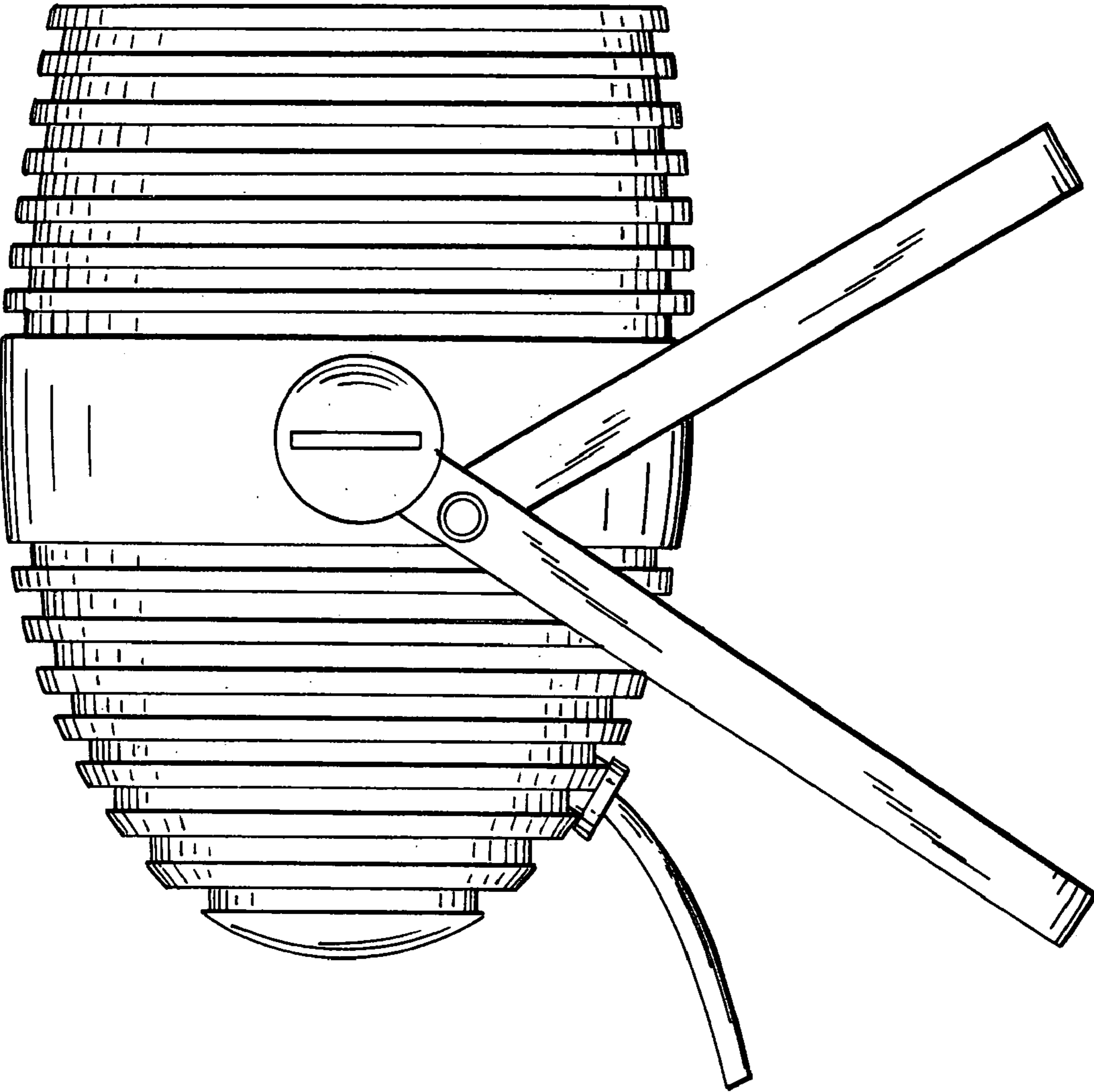


FIG.1

FIG.2



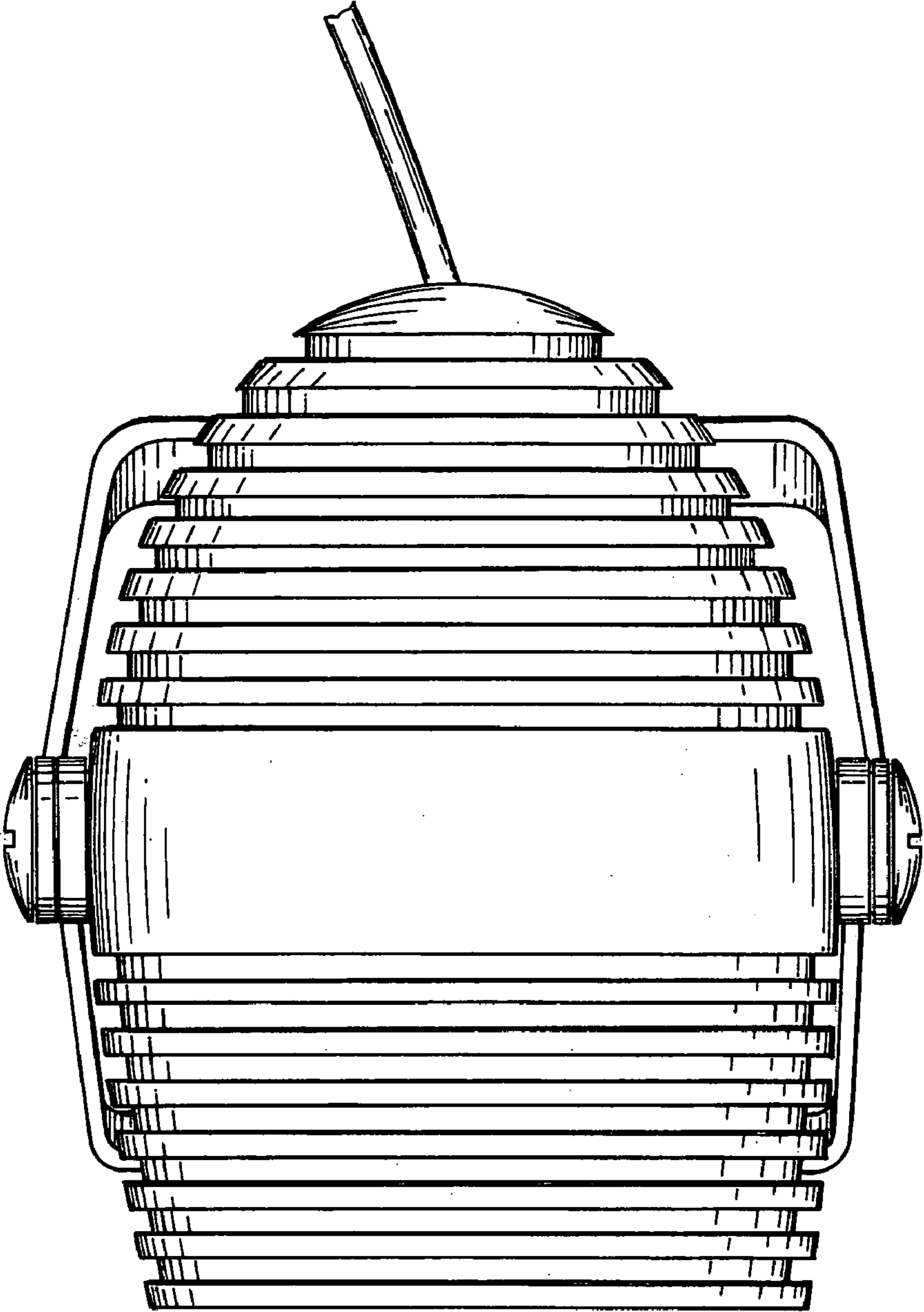


FIG.3

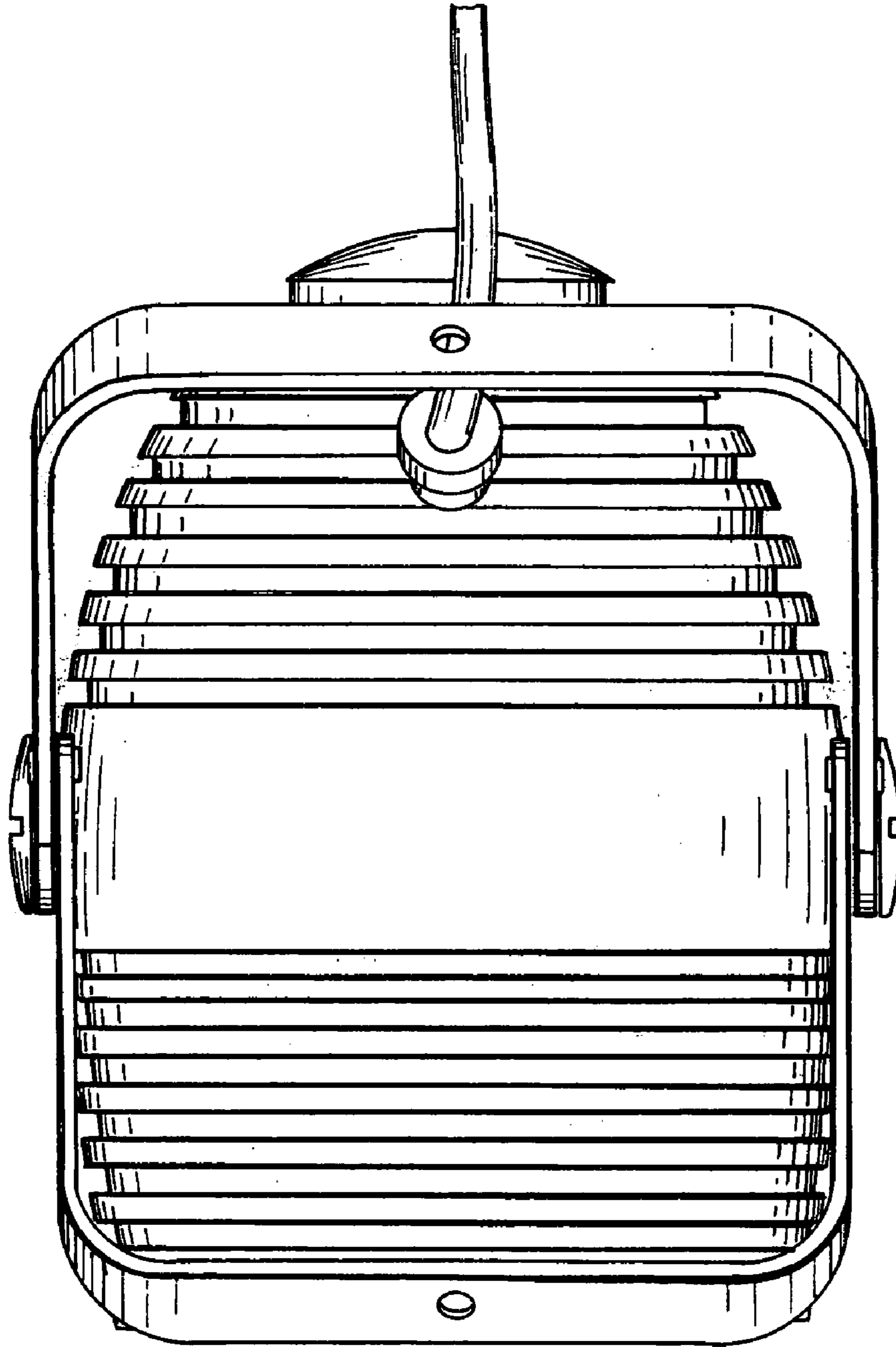


FIG. 4



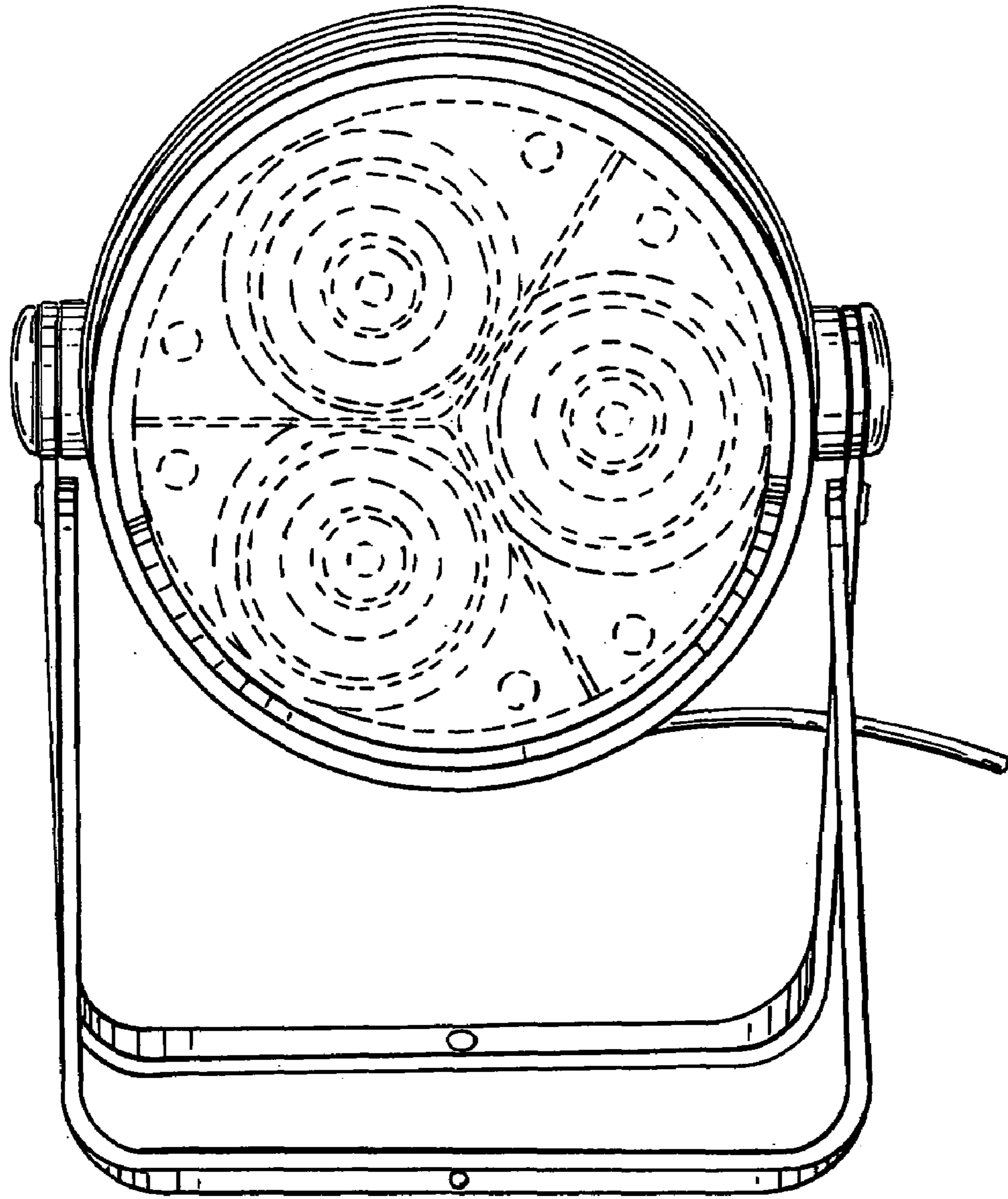


FIG. 5

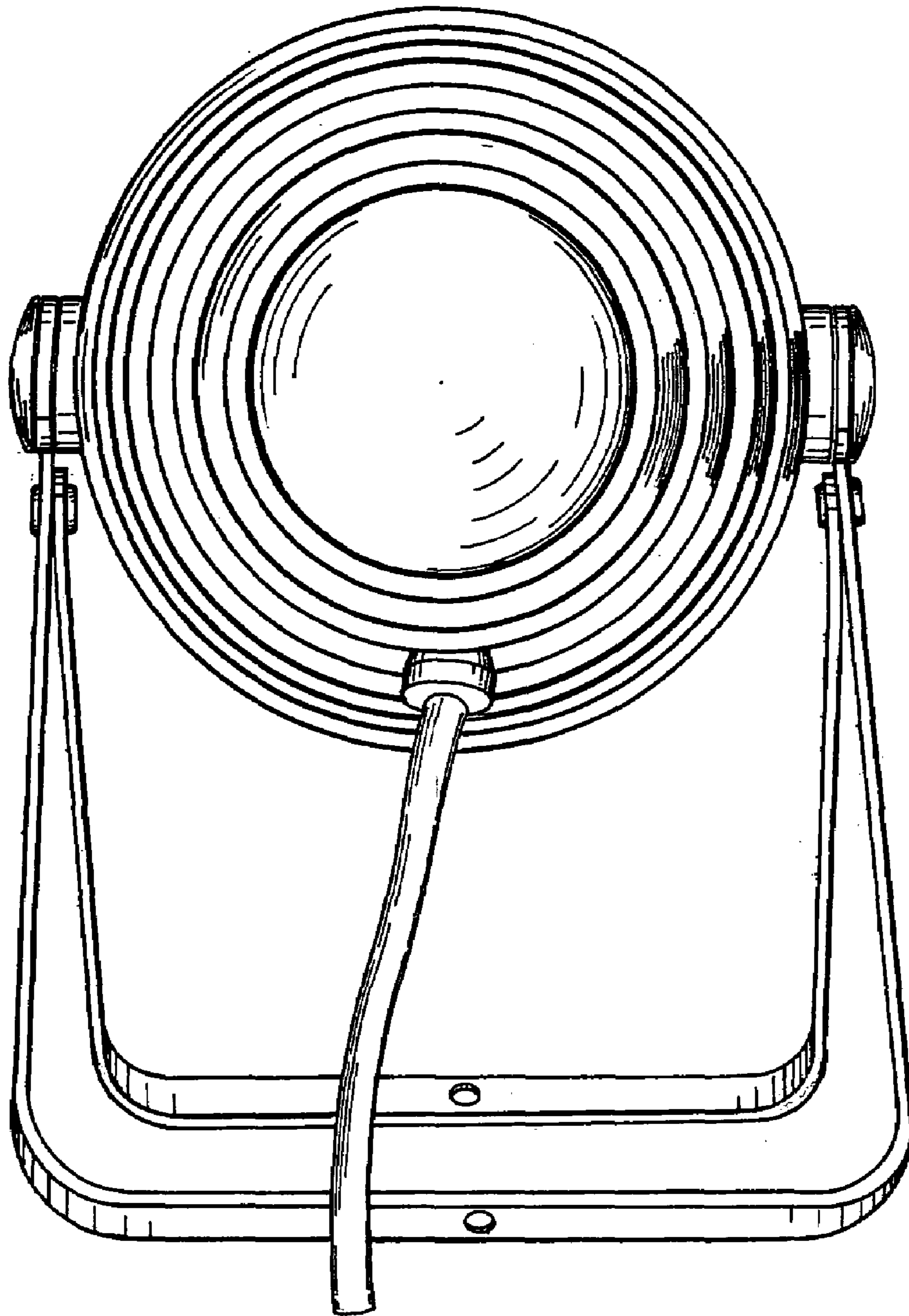


FIG.6