



US00D561367S

(12) **United States Design Patent** (10) **Patent No.:** **US D561,367 S**
Witte (45) **Date of Patent:** **** Feb. 5, 2008**

(54) **SEARCHLIGHT**

(75) Inventor: **Waldemar Witte, Mainz (DE)**

(73) Assignee: **Witte & Sutor Gesellschaft mit
beschraenkter Haftung (DE)**

(**) Term: **14 Years**

(21) Appl. No.: **29/267,126**

(22) Filed: **Oct. 5, 2006**

(30) **Foreign Application Priority Data**

Apr. 6, 2006 (EM) 000517057-0003
Apr. 6, 2006 (EM) 000517057-0004
Apr. 6, 2006 (EM) 000517057-0005

(51) **LOC (8) Cl.** **26-02**

(52) **U.S. Cl.** **D26/44**

(58) **Field of Classification Search** D26/37,
D26/38, 41, 46, 48, 49, 50, 51, 52; 362/157,
362/158, 183, 194, 196, 202, 203, 208, 171-174
See application file for complete search history.

(56) **References Cited**

U.S. PATENT DOCUMENTS

1,142,548 A 6/1915 Berg
2,748,258 A 5/1956 Henning
D257,540 S * 11/1980 Yip D26/41
D289,931 S * 5/1987 Grae D26/50
D364,476 S * 11/1995 Pettersen D26/50
D404,152 S * 1/1999 Lynch et al. D26/37
D409,777 S * 5/1999 Sharrah et al. D26/44
D409,778 S * 5/1999 Chu D26/44
D411,637 S * 6/1999 Suzuki D26/38
D445,926 S * 7/2001 Cheong D26/37
D481,146 S * 10/2003 Yuen D26/37

FOREIGN PATENT DOCUMENTS

CH 4 79 839 10/1969

DE 8 94 739 B 10/1953
DE 89 14 643 U1 2/1990
DE 42 04 671 C2 8/1993
DE 103 16 031 A1 11/2004

* cited by examiner

Primary Examiner—Charles A. Rademaker

Assistant Examiner—Carissa Fitts

(74) *Attorney, Agent, or Firm*—Brinks Hofer Gilson & Lione

(57) **CLAIM**

The ornamental design for a searchlight, as shown and described.

DESCRIPTION

This application claims the benefit of U.S. patent application Ser. No. 11/538,576, filed on Oct. 4, 2006. The disclosure of the above application are incorporated herein by reference.

FIG. 1 is a front perspective view of a searchlight in a folded position showing my new design;

FIG. 2 is a side view thereof;

FIG. 3 is a rear perspective view thereof;

FIG. 4 is front view thereof;

FIG. 5 is a front view thereof in an unfolded position;

FIG. 6 is a side view thereof;

FIG. 7 is a front perspective view of a modified embodiment of the design shown in FIGS. 1 through 6;

FIG. 8 is a side view thereof;

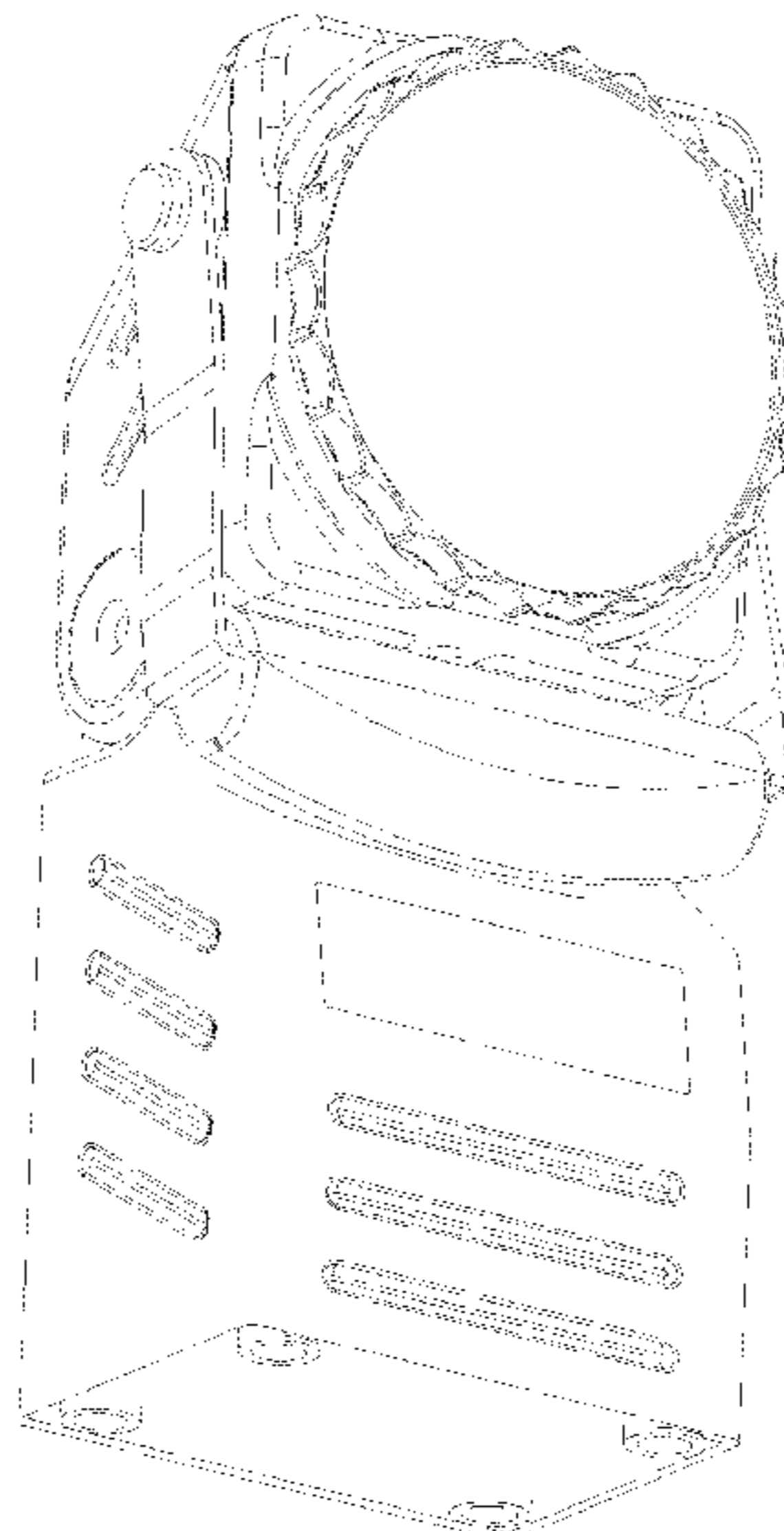
FIG. 9 is a rear perspective view thereof;

FIG. 10 is a front view thereof;

FIG. 11 is a front view thereof in an unfolded position; and,

FIG. 12 is a side view thereof.

1 Claim, 12 Drawing Sheets



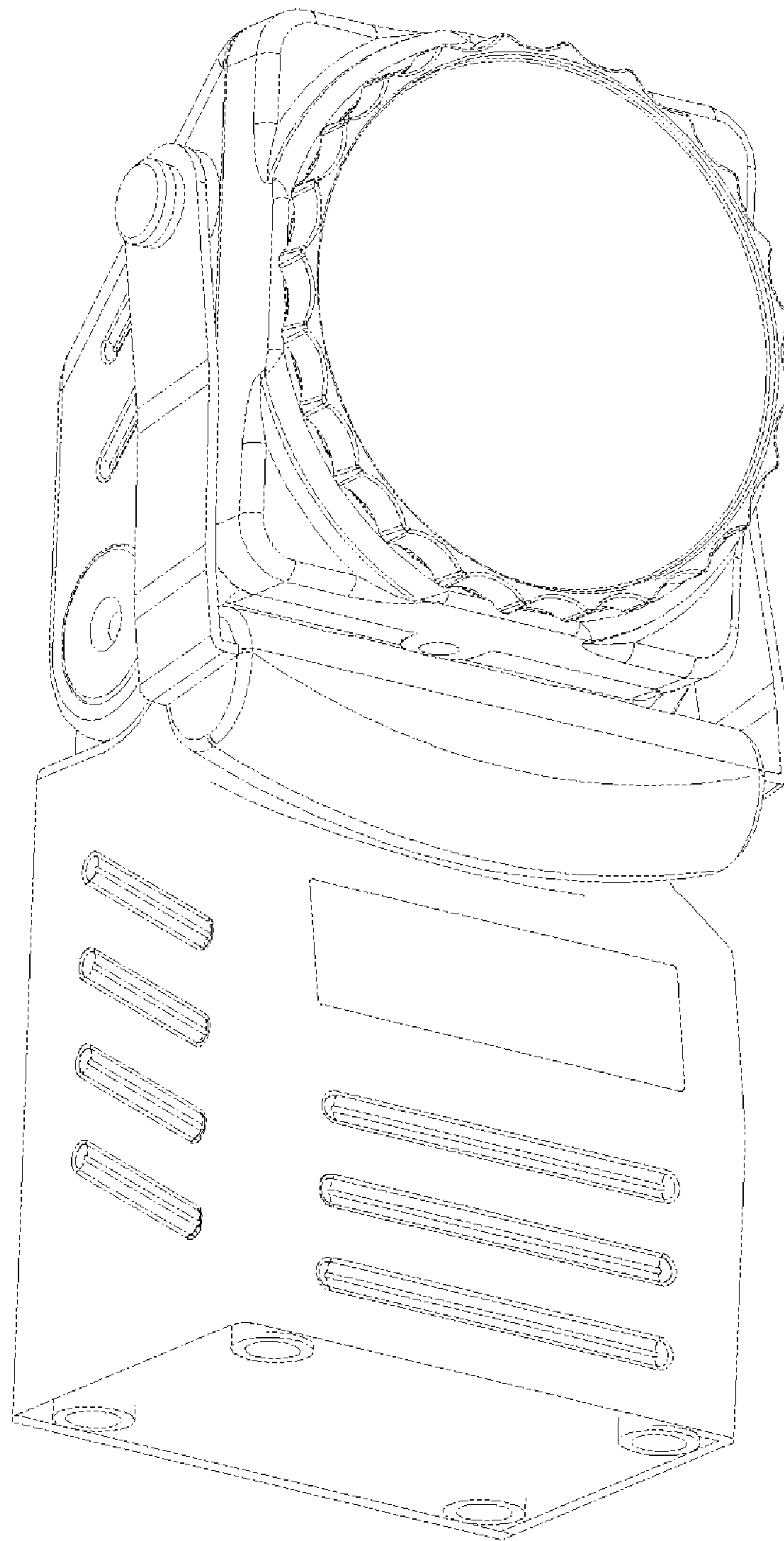


FIG. 1

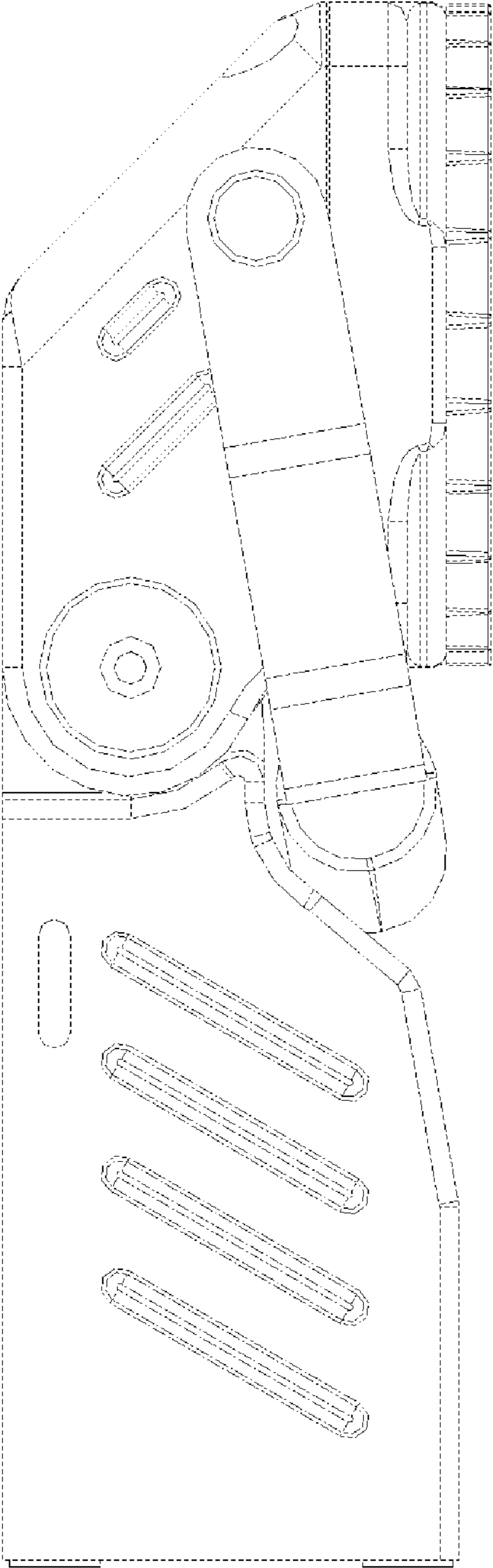


FIG. 2

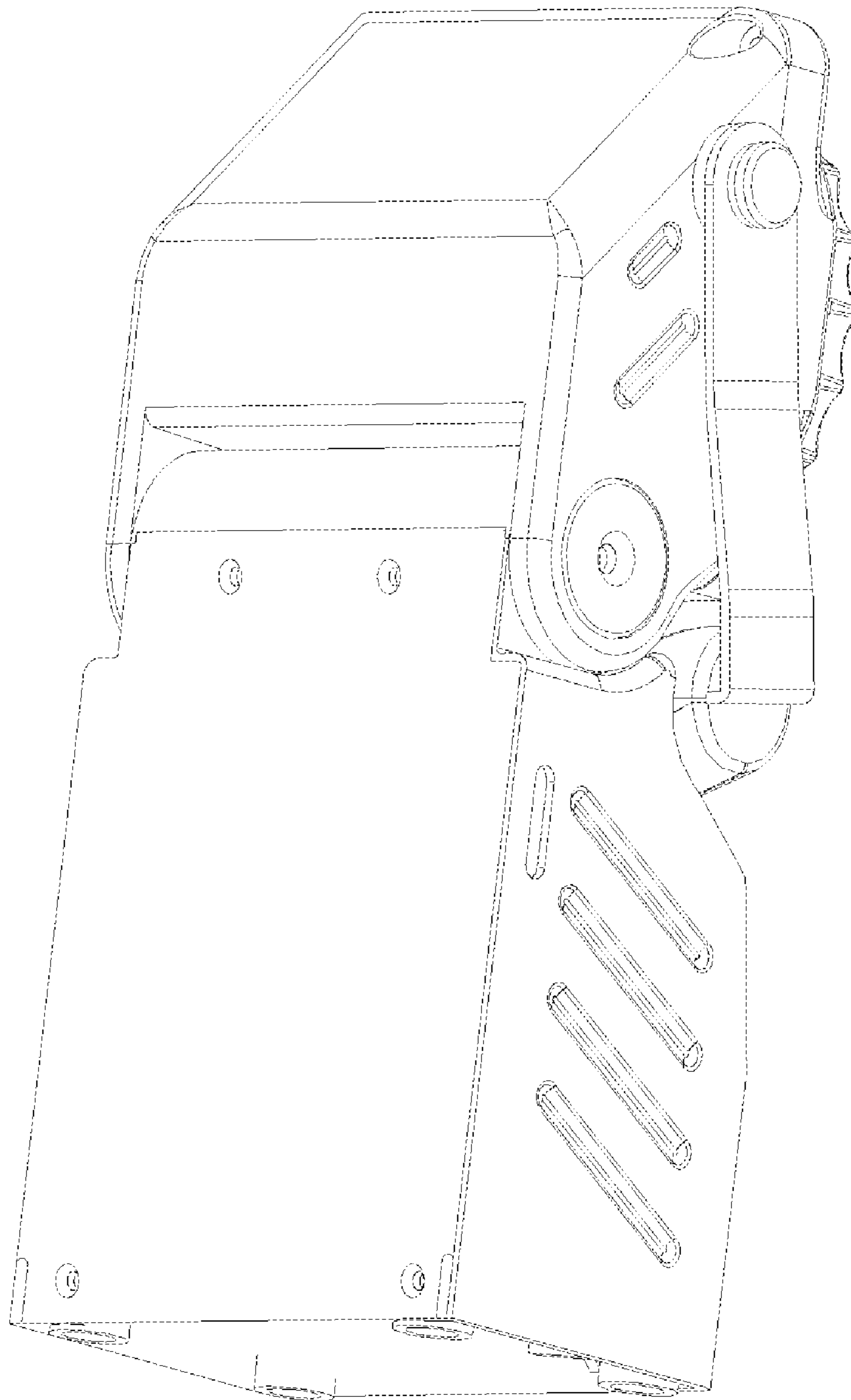


FIG. 3

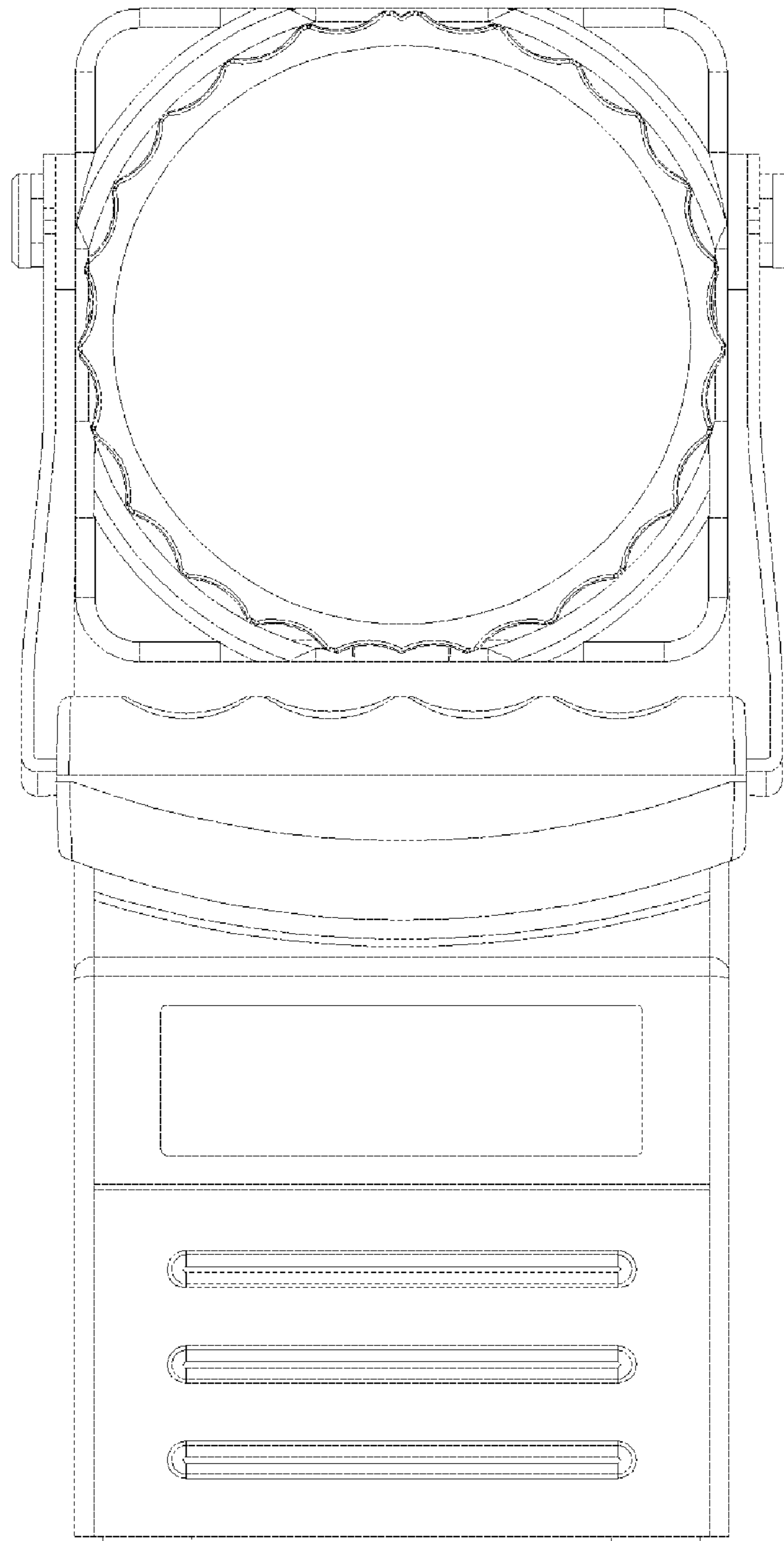


FIG. 4

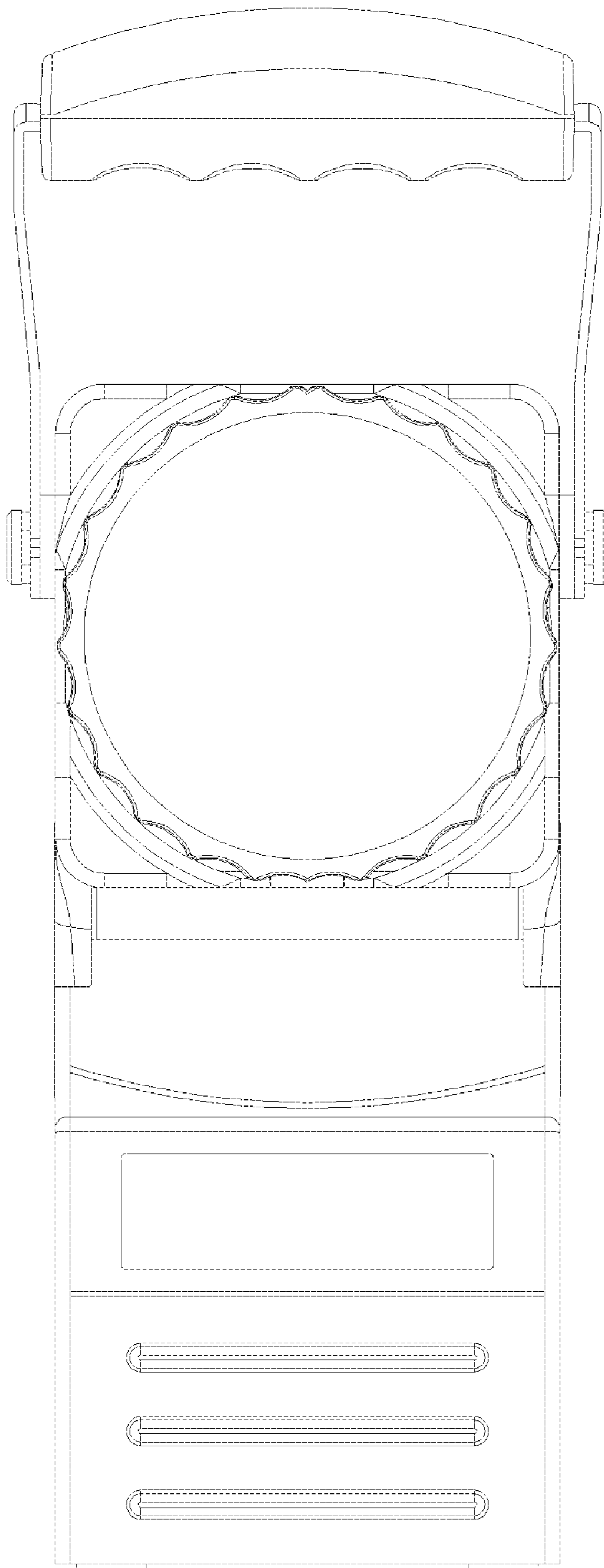


FIG. 5

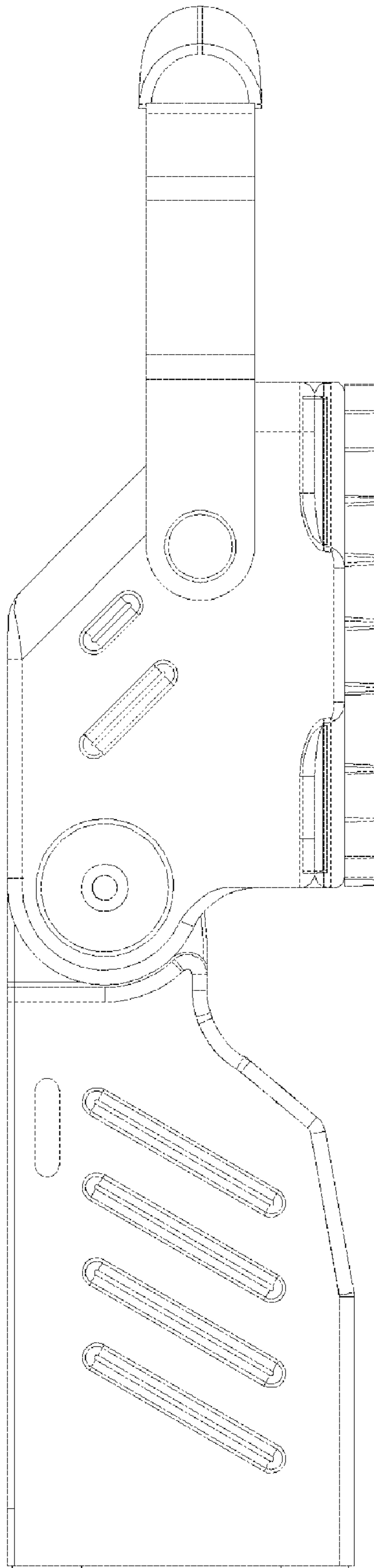


FIG. 6

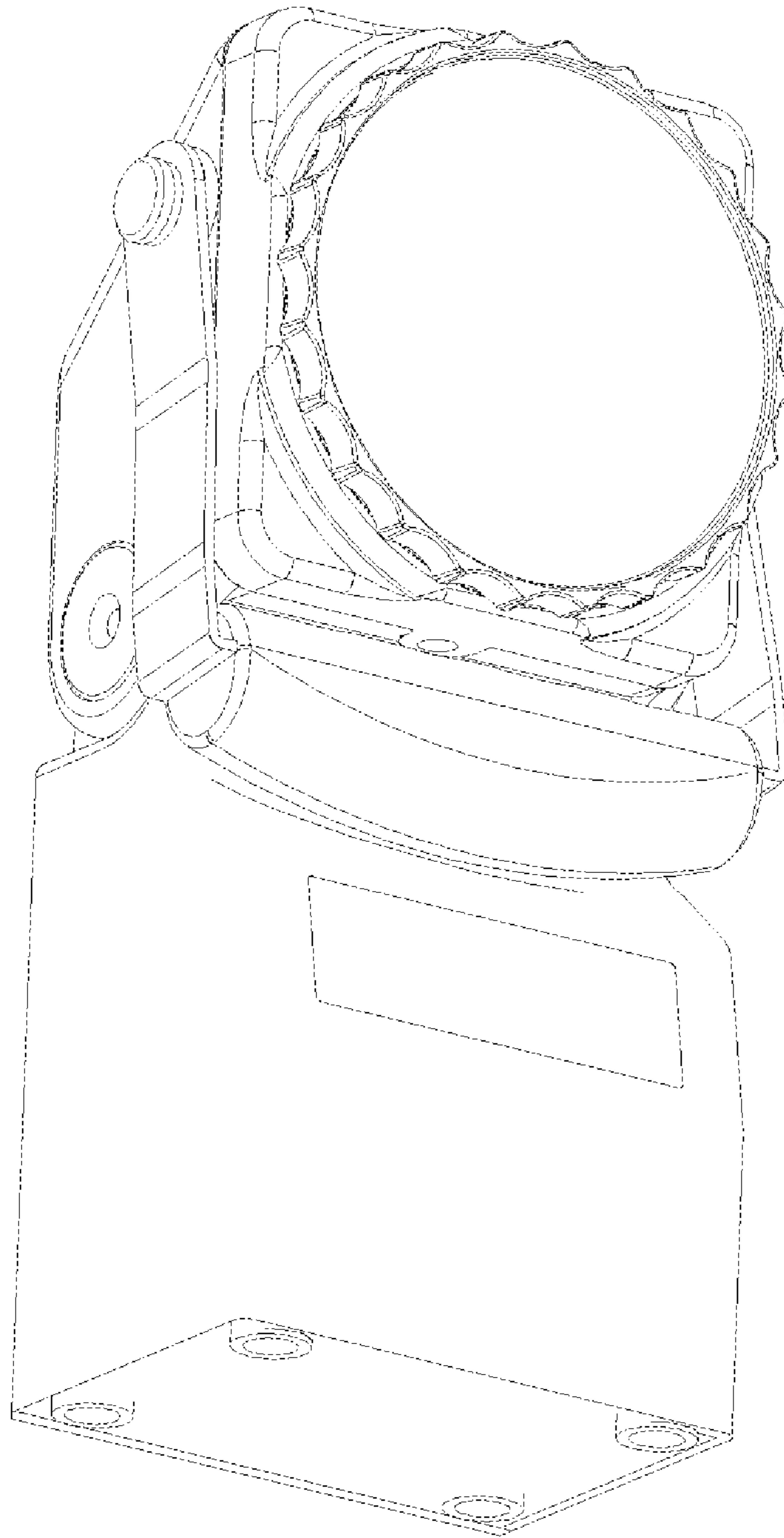


FIG. 7

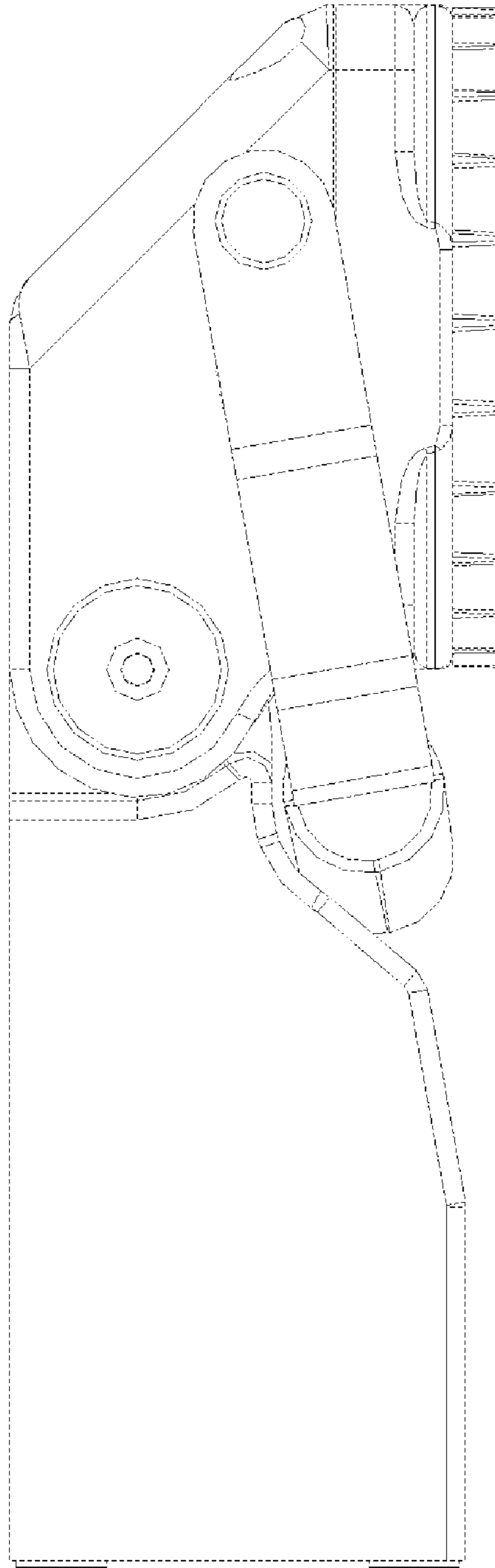


FIG. 8

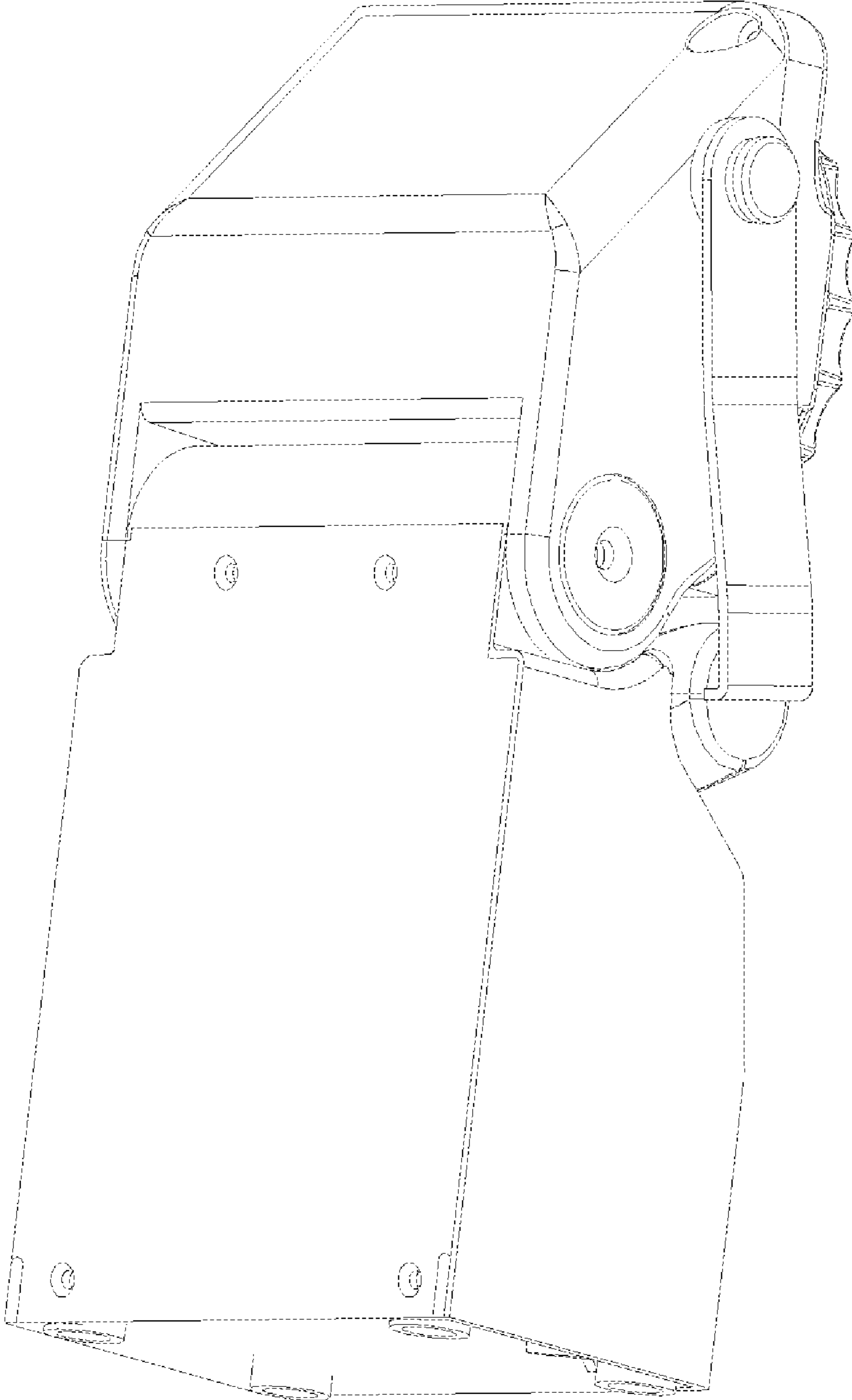


FIG. 9

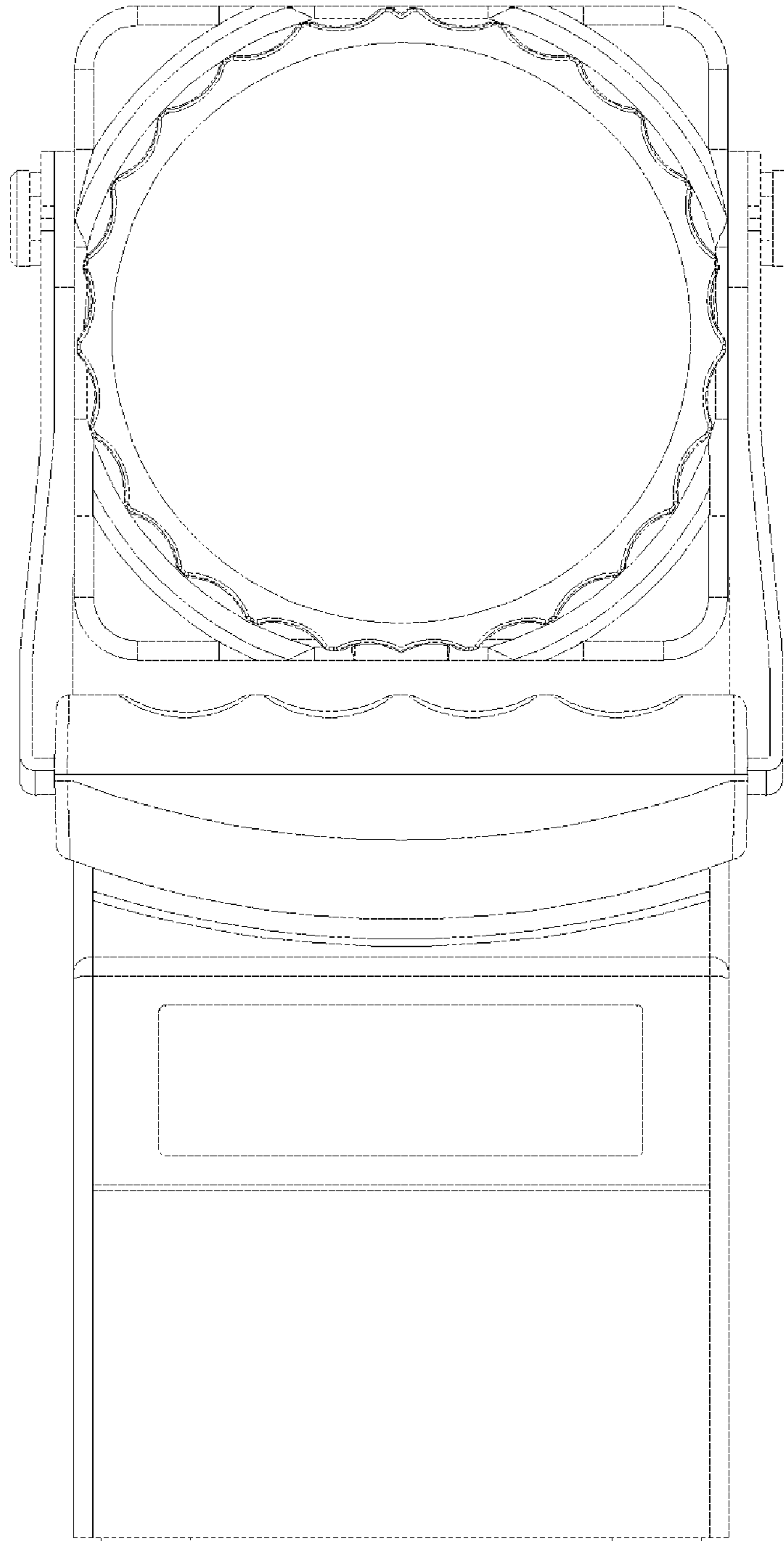


FIG. 10

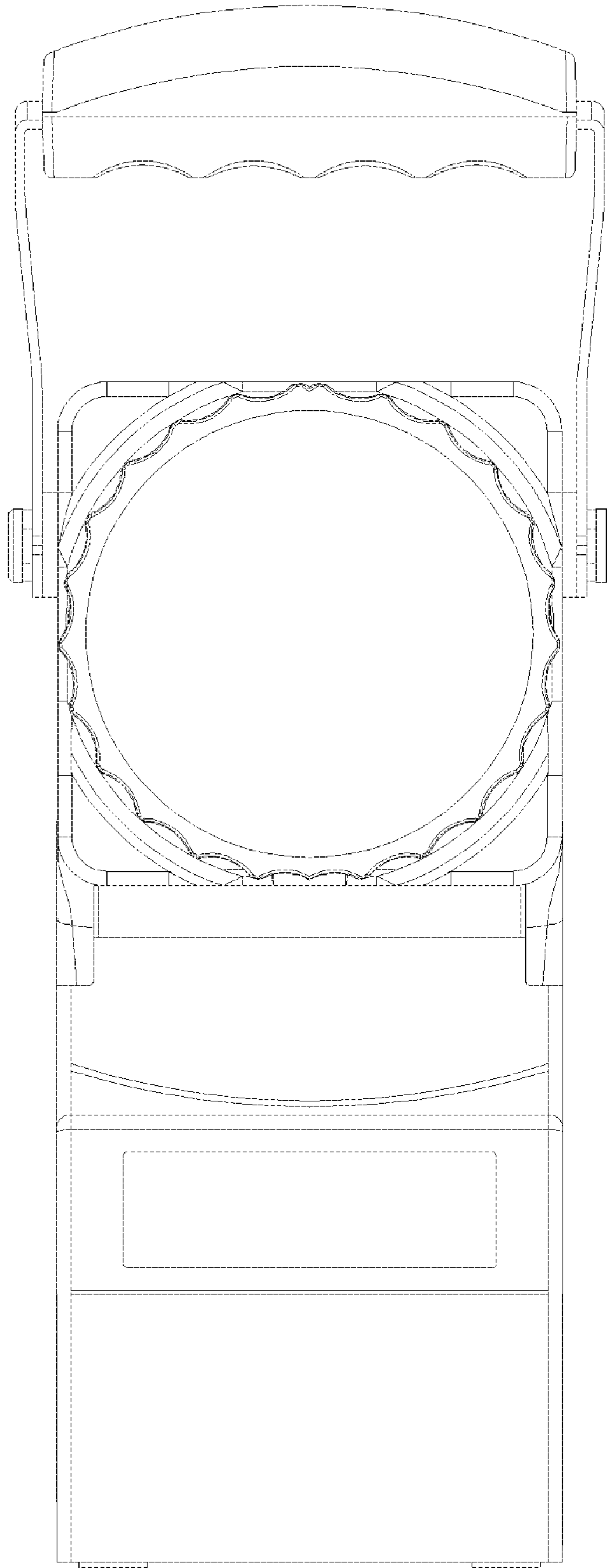


FIG. 11

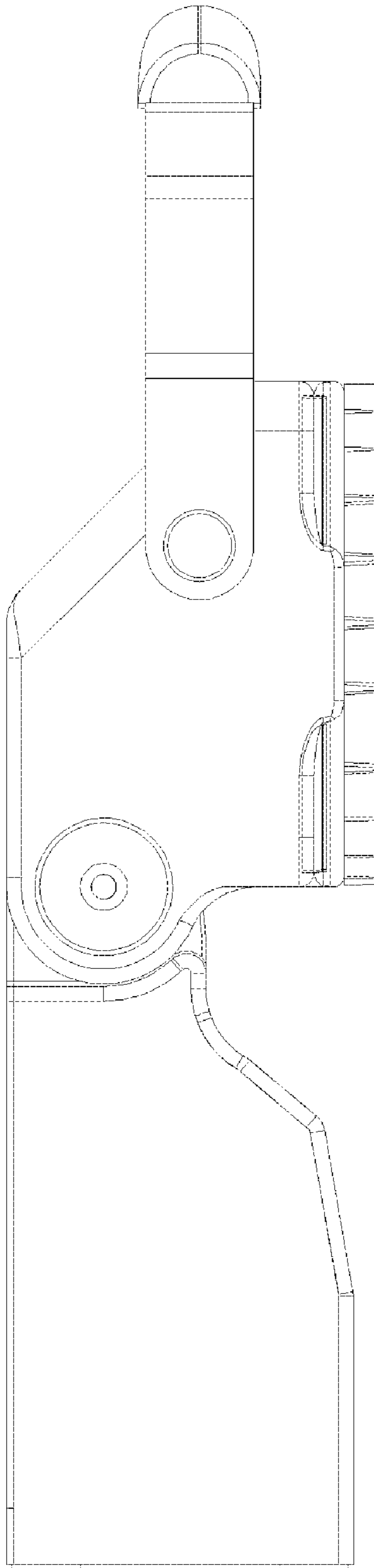


FIG. 12