

US00D561361S

(12) **United States Design Patent**
Pan et al.

(10) **Patent No.:** **US D561,361 S**

(45) **Date of Patent:** **** Feb. 5, 2008**

(54) **CLEARANCE SIDEMARKER AND IDENTIFICATION LAMP**

D524,464 S * 7/2006 Branstetter et al. D26/28
D542,948 S * 5/2007 Columbro D26/28

(75) Inventors: **Ko-Chun Pan**, Tainan (TW); **Jun-Ren Wang**, Tainan (TW)

* cited by examiner

Primary Examiner—Marcus A. Jackson

(73) Assignee: **Lucidity Enterprise Co., Ltd.**, An-Nan District, Tainan (TW)

(57) **CLAIM**

The ornamental design for a clearance sidemarker and identification lamp, as shown and described.

(**) Term: **14 Years**

(21) Appl. No.: **29/287,422**

DESCRIPTION

(22) Filed: **Aug. 6, 2007**

FIG. 1 is a perspective view of a clearance sidemarker and identification lamp showing our design;

(51) **LOC (8) Cl.** **26-06**

FIG. 2 is a front elevational view thereof;

(52) **U.S. Cl.** **D26/28**

FIG. 3 is a rear elevational view thereof;

(58) **Field of Classification Search** D26/28-36;
362/459-468, 475-478, 485-487

FIG. 4 is a left side elevational view thereof;

See application file for complete search history.

FIG. 5 is a right side elevational view thereof;

(56) **References Cited**

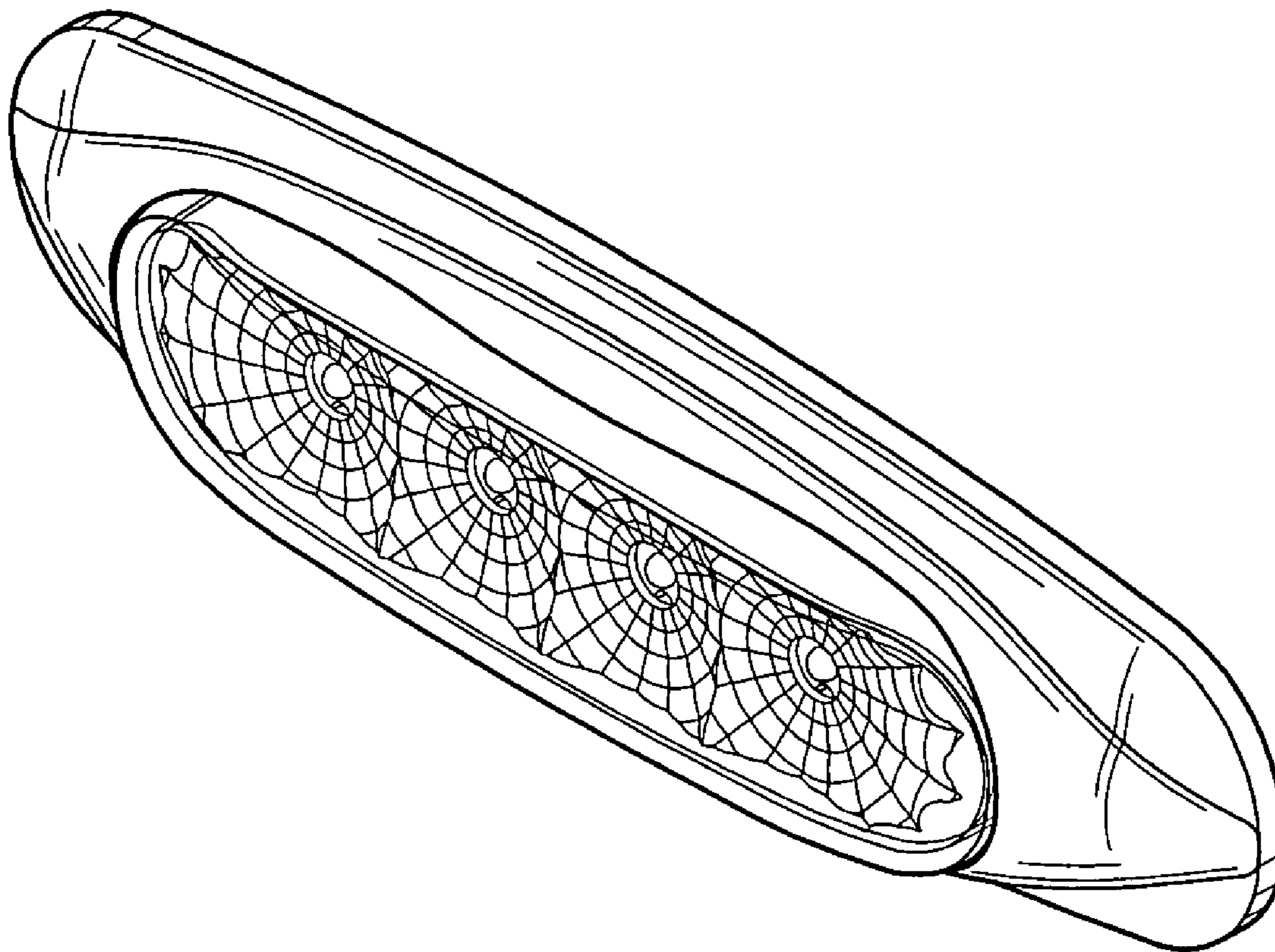
FIG. 6 is a top plan view thereof; and,

U.S. PATENT DOCUMENTS

FIG. 7 is a bottom plan view thereof.

D514,008 S * 1/2006 Sassoon D10/113

1 Claim, 4 Drawing Sheets



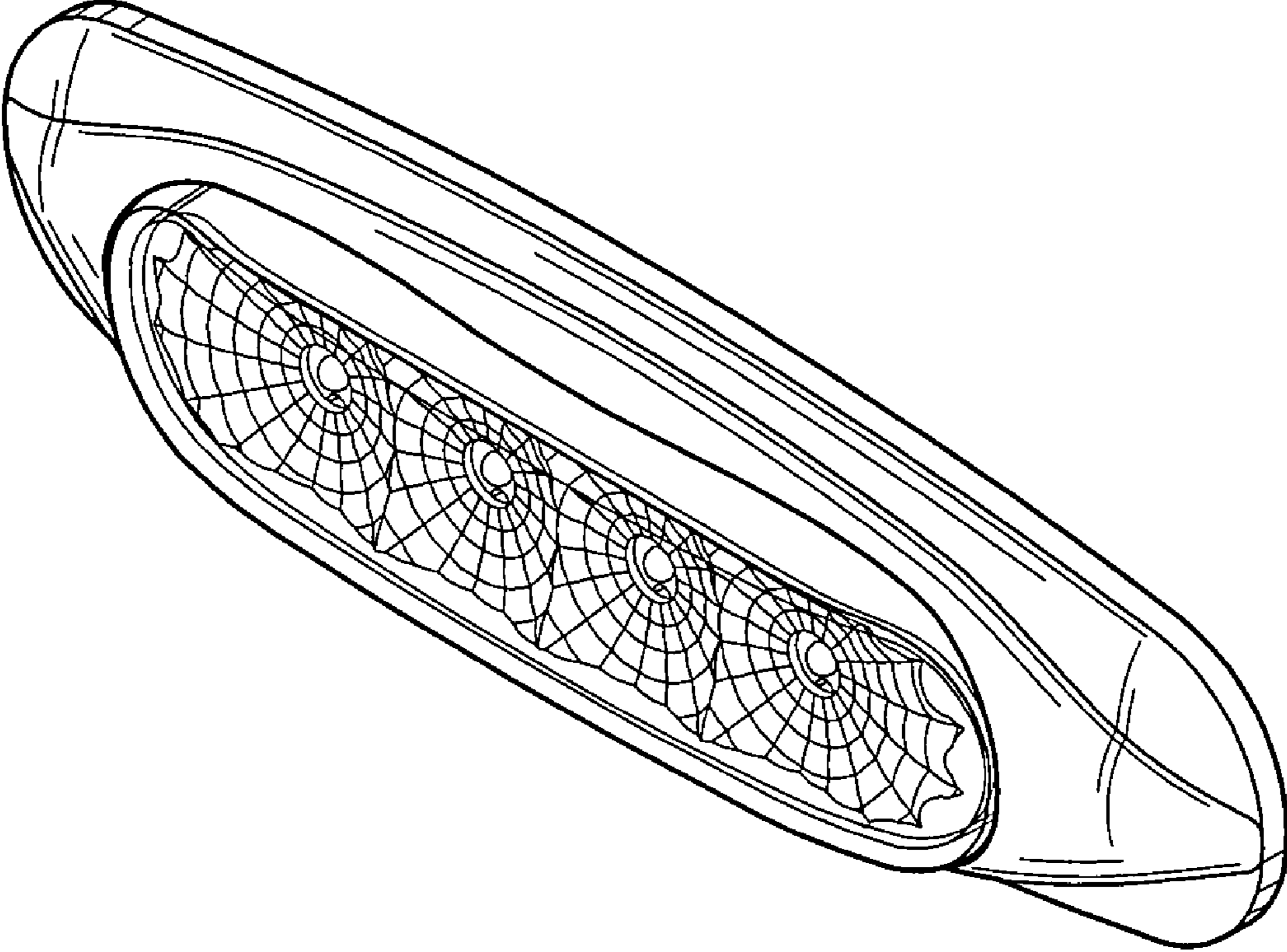


FIG. 1

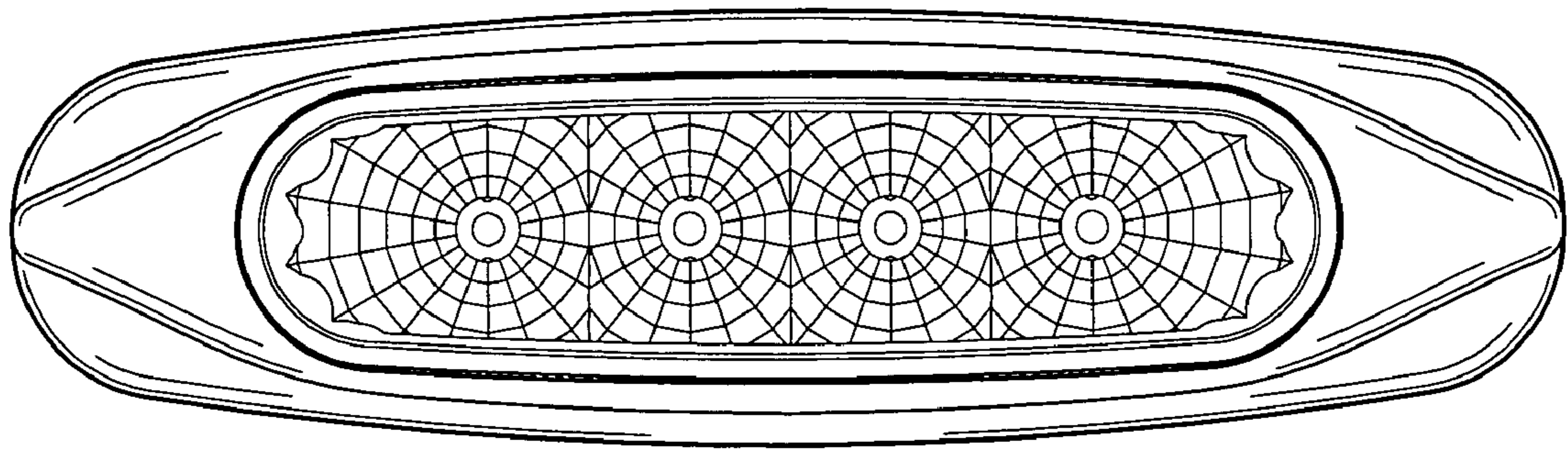


FIG. 2

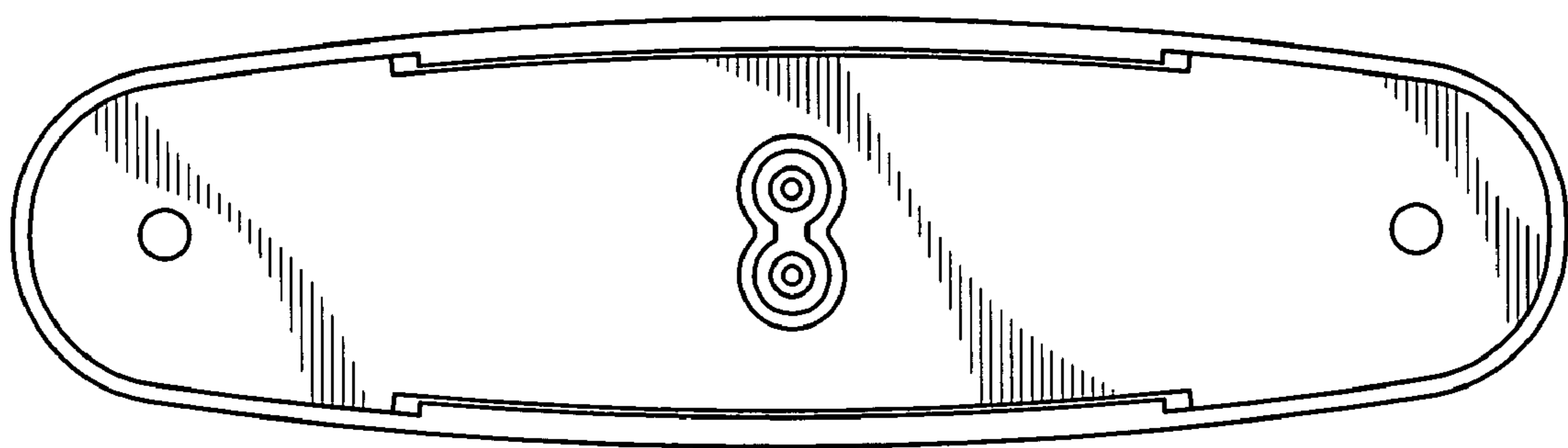


FIG. 3

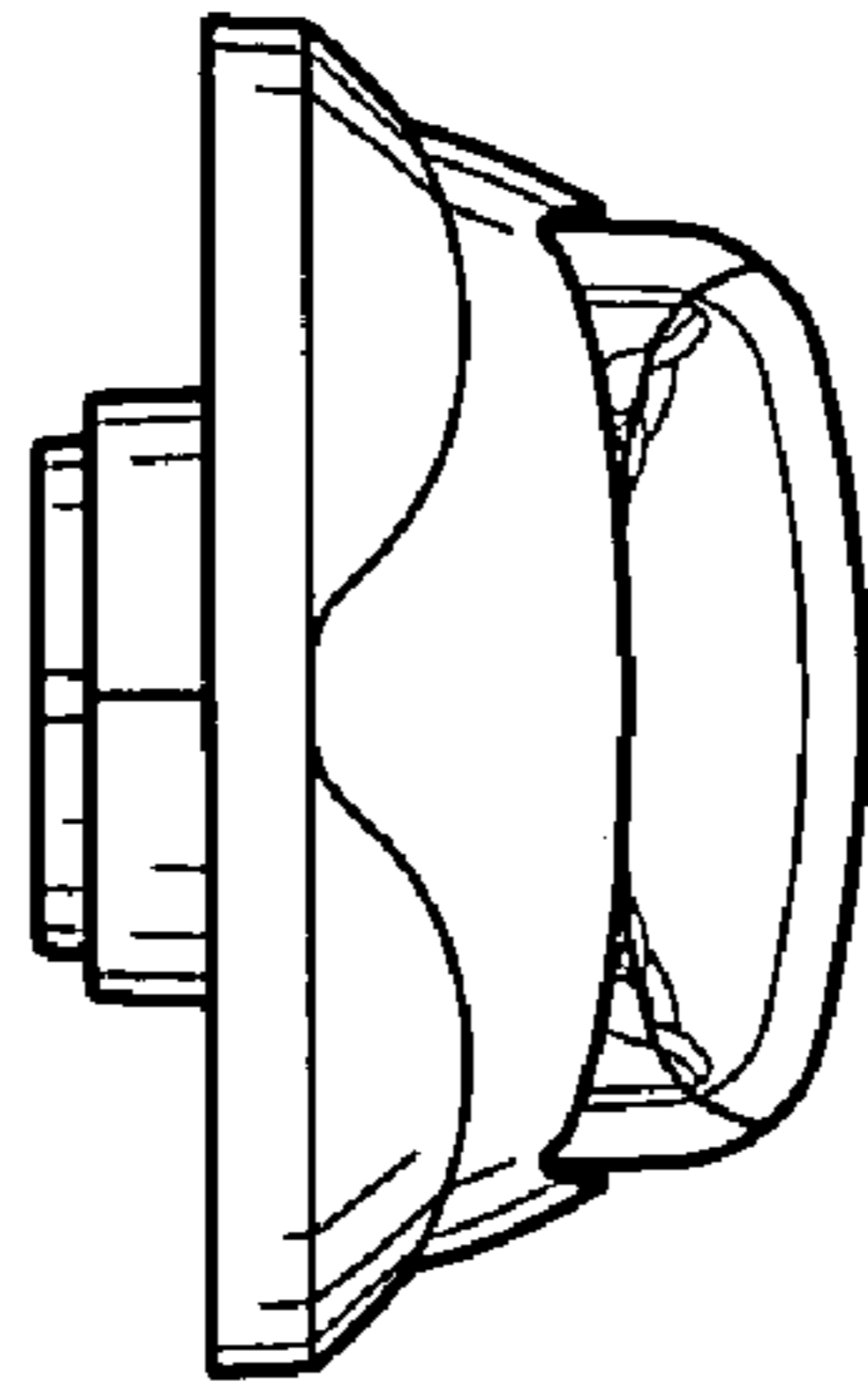


FIG. 4

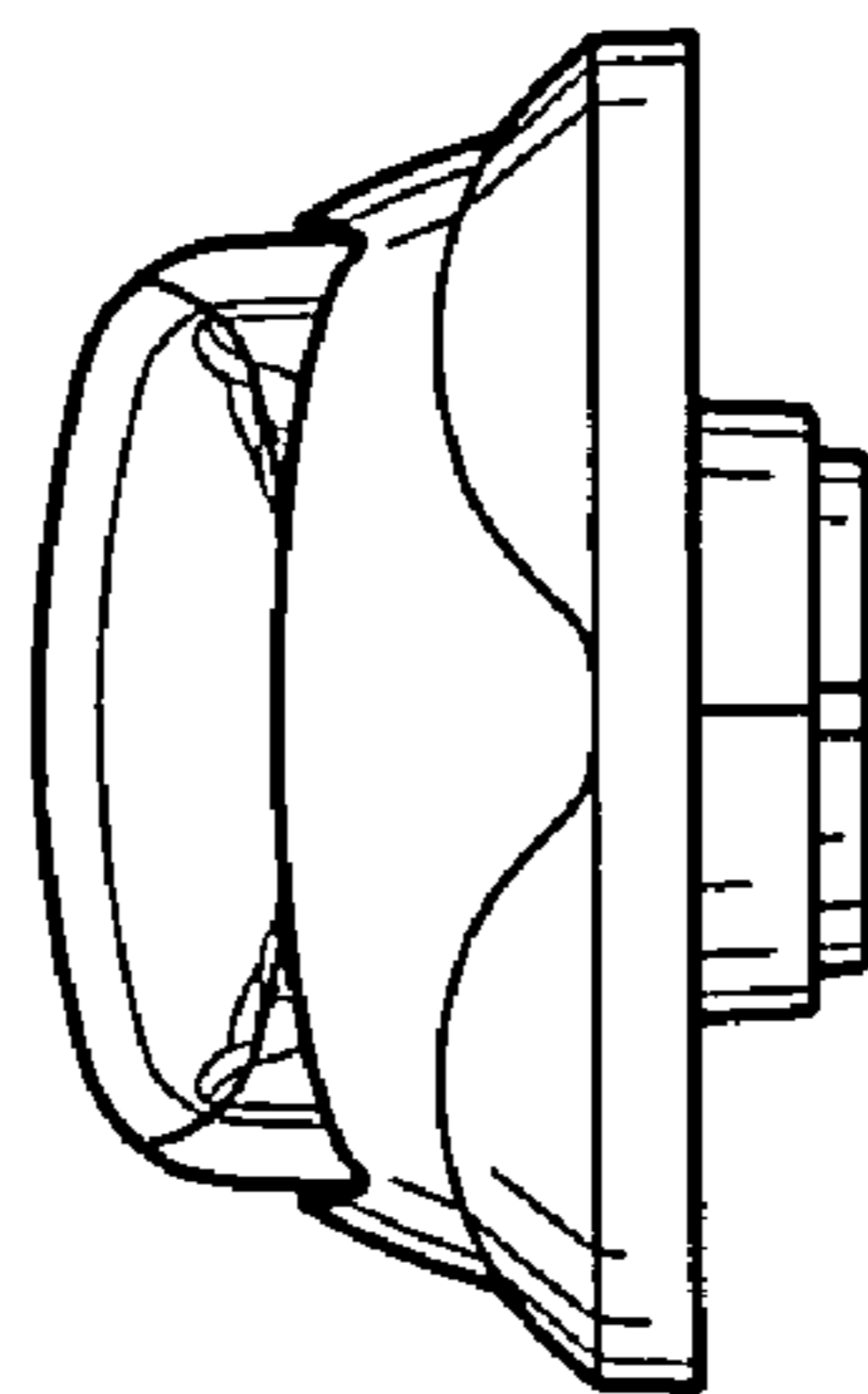


FIG. 5

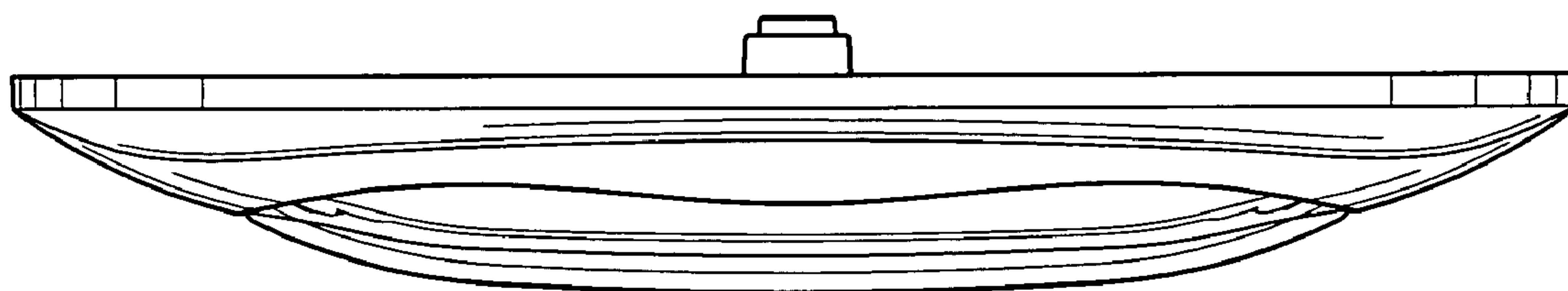


FIG. 6

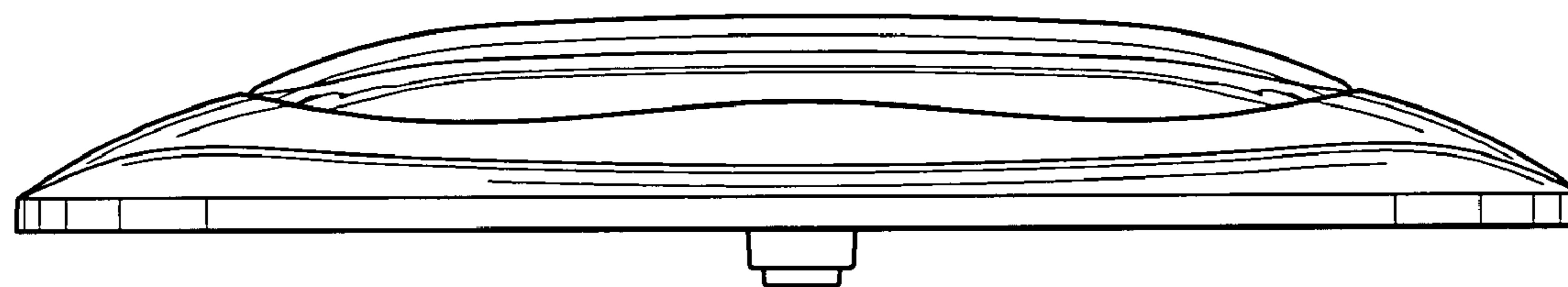


FIG. 7