



US00D561360S

(12) **United States Design Patent**  
**Wang**

(10) **Patent No.:** **US D561,360 S**

(45) **Date of Patent:** **\*\* Feb. 5, 2008**

(54) **CLEARANCE SIDEMARKER AND IDENTIFICATION LAMP**

D532,125 S \* 11/2006 Branstetter et al. .... D26/28

(75) Inventor: **Jun-Ren Wang**, Tainan (TW)

\* cited by examiner

*Primary Examiner*—Marcus A. Jackson

(73) Assignee: **Lucidity Enterprise Co., Ltd.**, An-Nan District, Tainan (TW)

(57) **CLAIM**

(\*\*) Term: **14 Years**

The ornamental design for a clearance sidemarker and identification lamp, as shown and described.

(21) Appl. No.: **29/287,421**

**DESCRIPTION**

(22) Filed: **Aug. 6, 2007**

(51) **LOC (8) Cl.** ..... **26-06**

FIG. 1 is a perspective view of a clearance sidemarker and identification lamp showing my design;

(52) **U.S. Cl.** ..... **D26/28**

FIG. 2 is a front elevational view thereof;

(58) **Field of Classification Search** ..... D26/28-36;  
362/459-468, 475-478, 485-487

FIG. 3 is a rear elevational view thereof;

See application file for complete search history.

FIG. 4 is a left side elevational view thereof;

FIG. 5 is a right side elevational view thereof;

(56) **References Cited**

**U.S. PATENT DOCUMENTS**

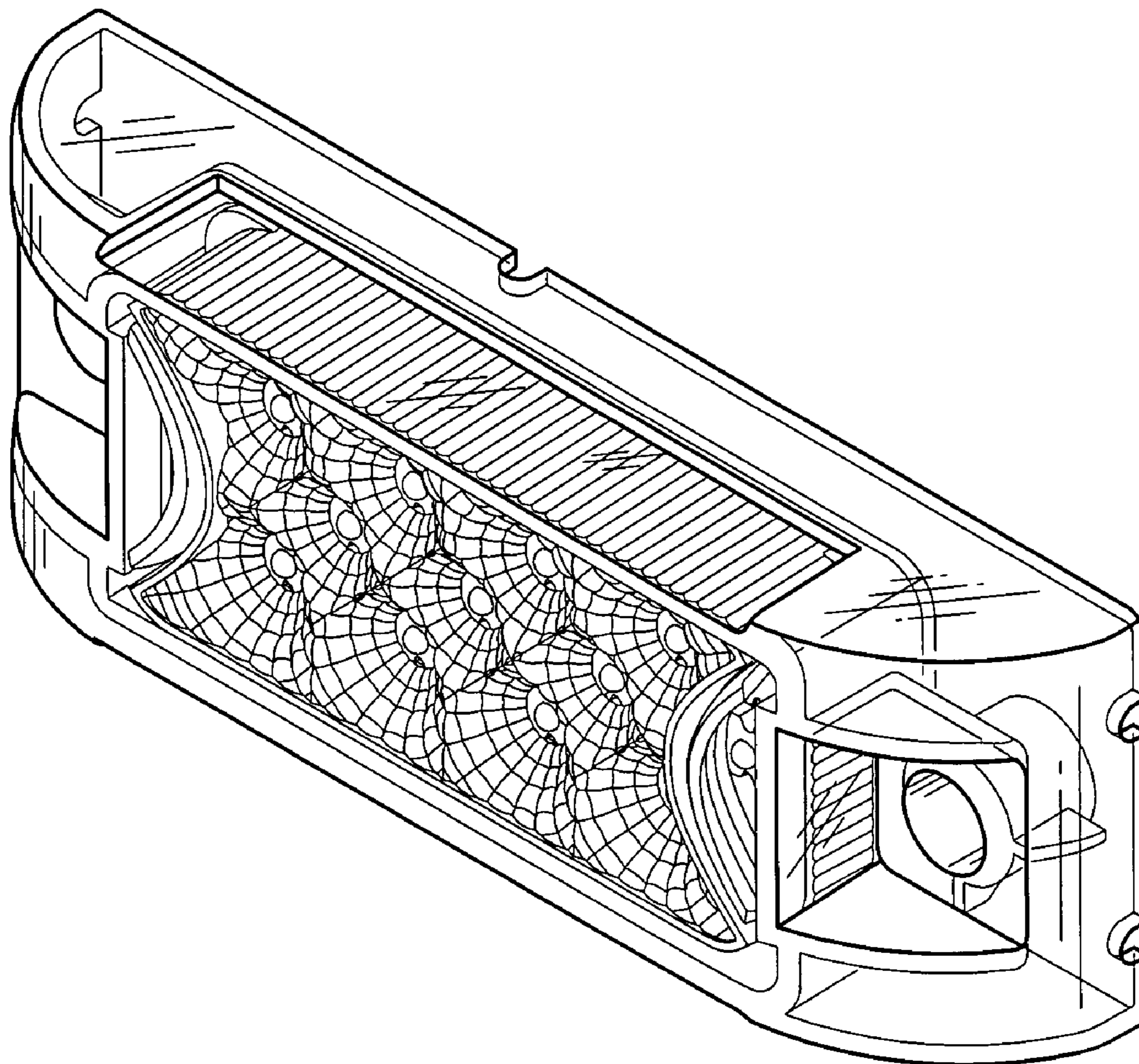
FIG. 6 is a top plan view thereof; and,

FIG. 7 is a bottom plan view thereof.

D514,008 S \* 1/2006 Sassoon ..... D10/113

D530,437 S \* 10/2006 Neufeglise et al. .... D26/28

**1 Claim, 4 Drawing Sheets**



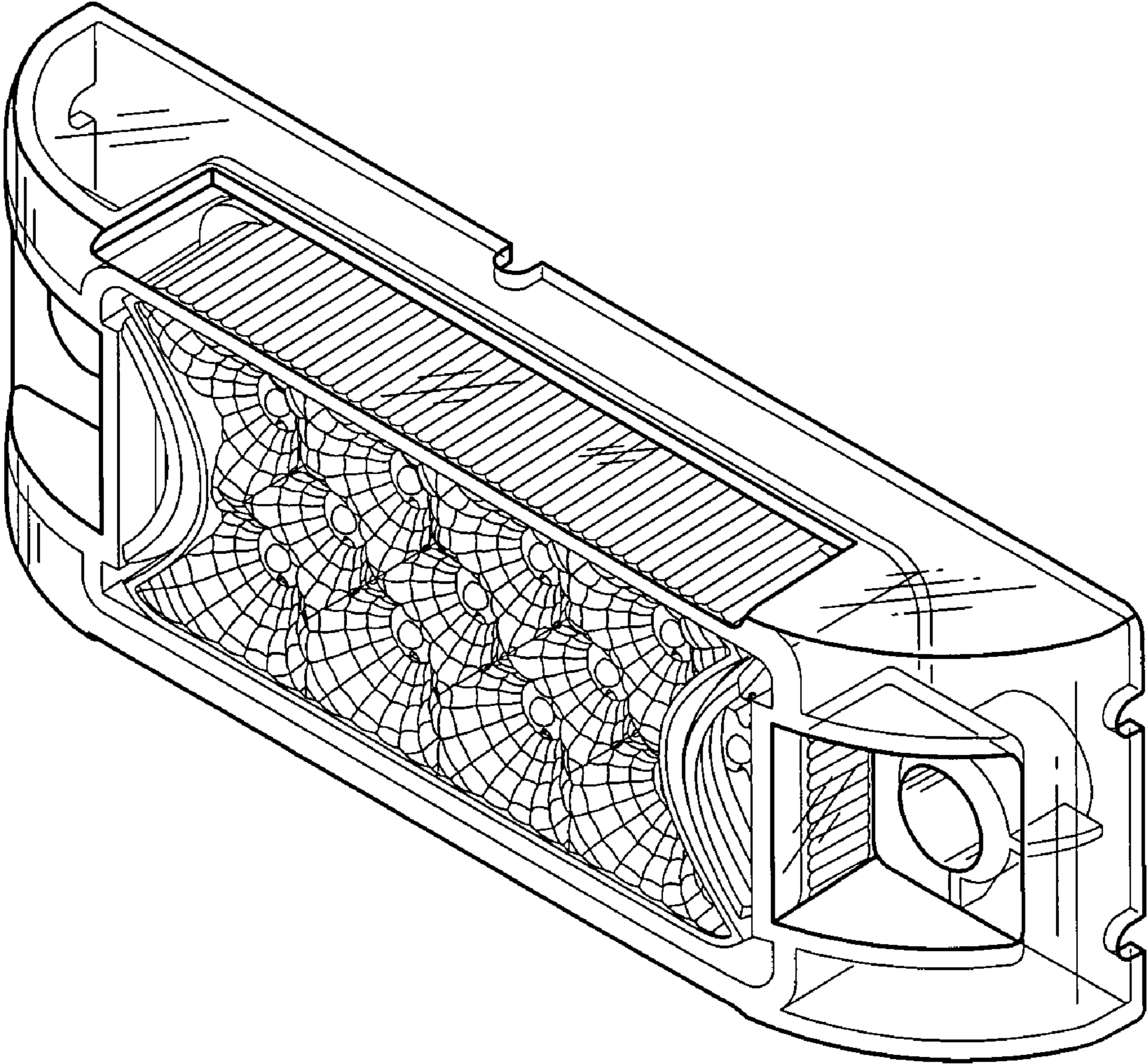


FIG. 1

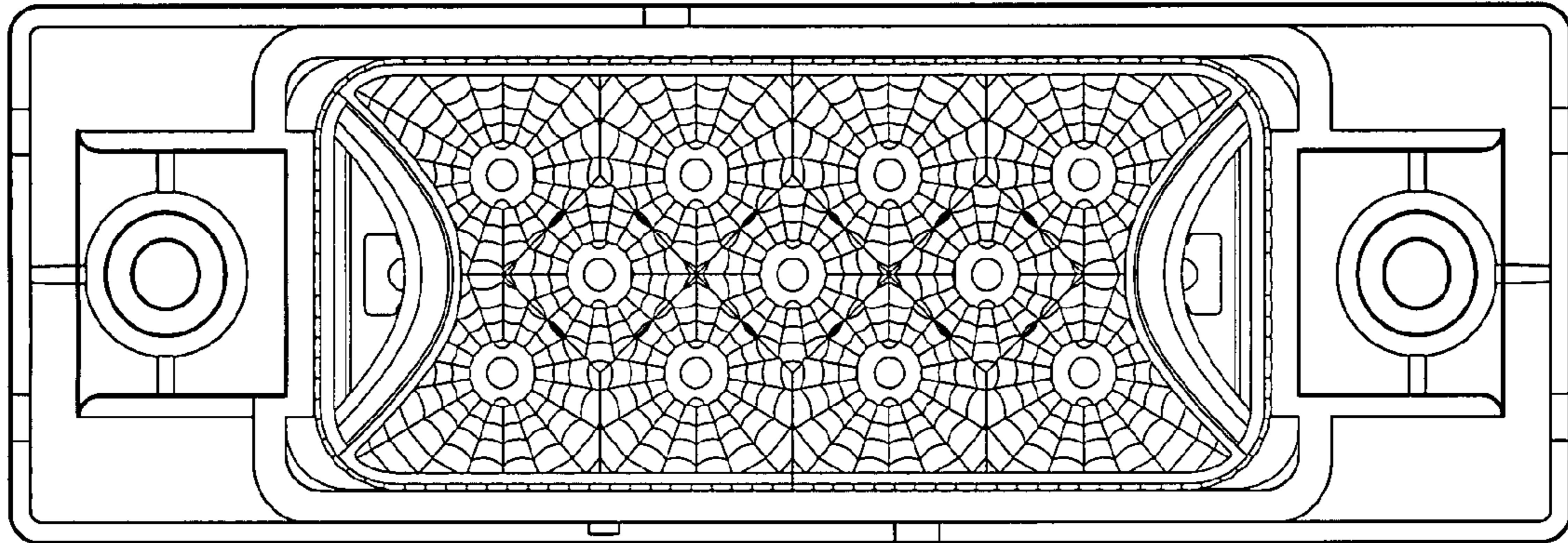


FIG. 2

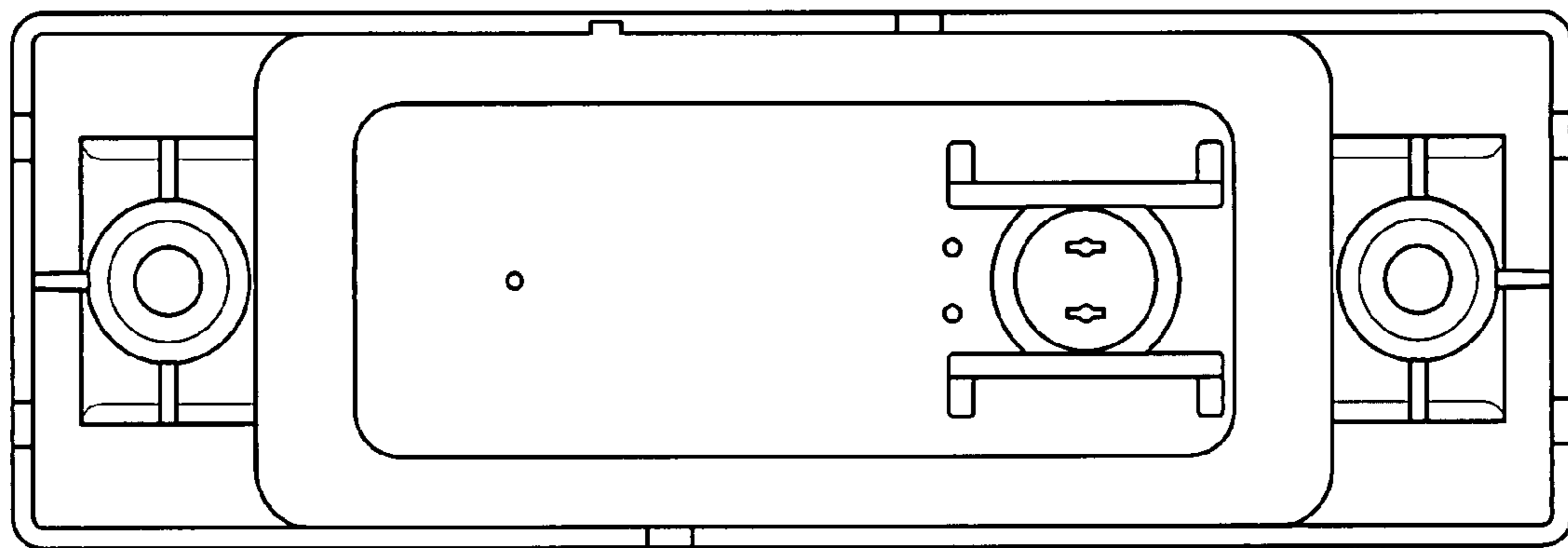


FIG. 3

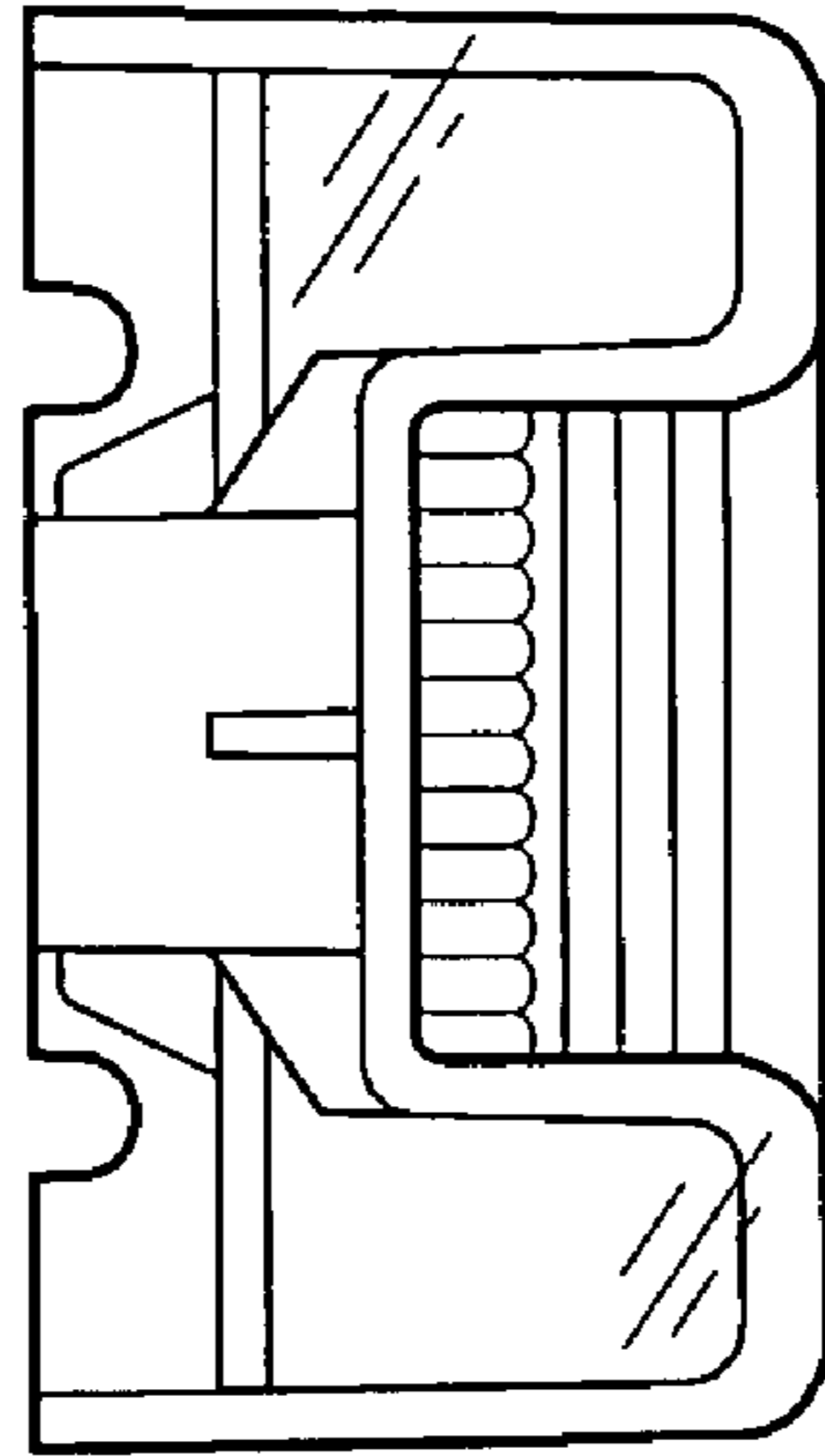


FIG. 4

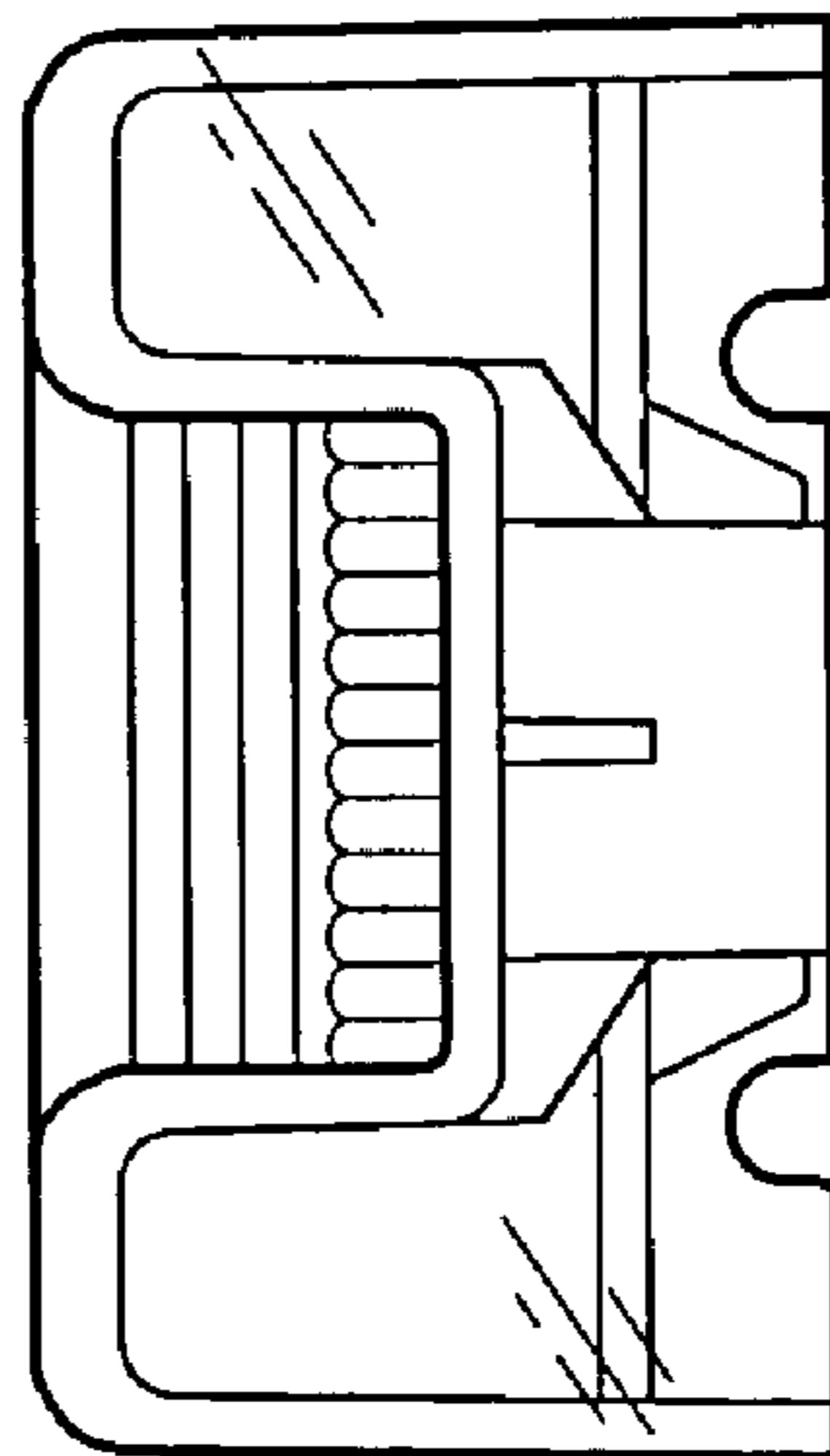


FIG. 5

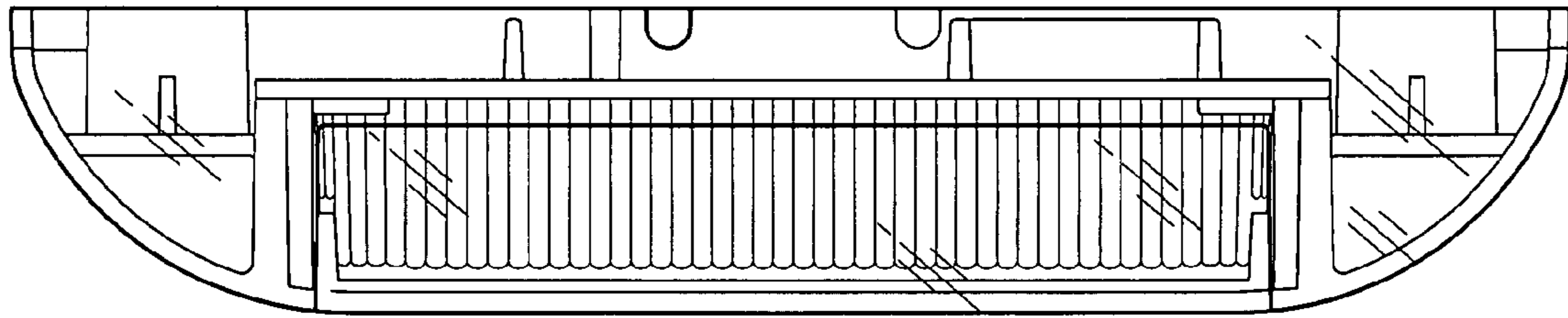


FIG. 6

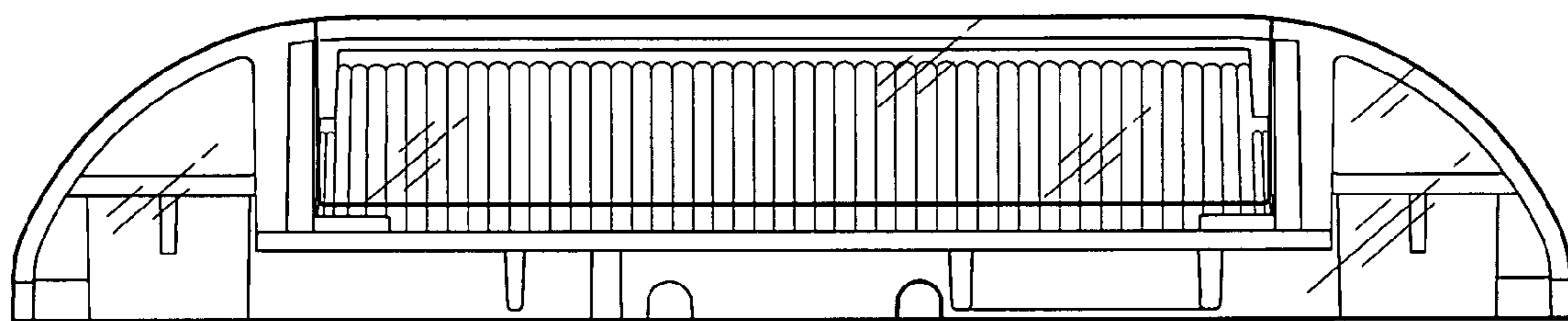


FIG. 7