



US00D561350S

(12) **United States Design Patent**  
**Hebert**

(10) **Patent No.:** **US D561,350 S**

(45) **Date of Patent:** **\*\* Feb. 5, 2008**

(54) **SWIMMING POOL**

(76) **Inventor:** **Tony J. Hebert**, 1194 Tilac Rd., Breaux Bridge, LA (US) 70517

(\*\*) **Term:** **14 Years**

(21) **Appl. No.:** **29/285,317**

(22) **Filed:** **Mar. 27, 2007**

(51) **LOC (8) Cl.** ..... **25-03**

(52) **U.S. Cl.** ..... **D25/2**

(58) **Field of Classification Search** ..... D25/2;  
D24/204; 4/488, 506

See application file for complete search history.

[http://www.leisurepoolsusa.com/Elegant/Elegance\\_Australian\\_Blue\\_pg4.htm](http://www.leisurepoolsusa.com/Elegant/Elegance_Australian_Blue_pg4.htm).\*

[http://www.leisurepoolsusa.com/Elegant/Elegance\\_Australian\\_Blue\\_pg2.htm](http://www.leisurepoolsusa.com/Elegant/Elegance_Australian_Blue_pg2.htm).\*

\* cited by examiner

*Primary Examiner*—Stella M. Reid

*Assistant Examiner*—Kathleen Sims

(74) *Attorney, Agent, or Firm*—C. Dean Domingue; Robert L. Waddell; Ted M. Anthony

(57) **CLAIM**

The ornamental design for a swimming pool, as shown and described.

(56) **References Cited**

U.S. PATENT DOCUMENTS

D228,891 S	*	10/1973	Figueroa	.....	D25/2
D325,976 S	*	5/1992	Weir	.....	D25/2
D446,313 S	*	8/2001	Sullivan	.....	D25/2
D455,838 S		4/2002	Erdelac		
D490,161 S		5/2004	Erdelac		
D490,903 S		6/2004	Erdelac		
D490,904 S		6/2004	Erdelac		
D491,277 S		6/2004	Erdelac et al.		
D509,902 S	*	9/2005	Sullivan	.....	D25/2
D509,903 S	*	9/2005	Sullivan	.....	D25/2
D510,630 S	*	10/2005	Sullivan	.....	D25/2

OTHER PUBLICATIONS

[http://www.leisurepoolsusa.com/Elegant/Elegance\\_Australian\\_Blue\\_pg12.htm](http://www.leisurepoolsusa.com/Elegant/Elegance_Australian_Blue_pg12.htm).\*

**DESCRIPTION**

FIG. 1 is an isometric view of the swimming pool, showing my new design;

FIG. 2 is a top view;

FIG. 3 is a front view;

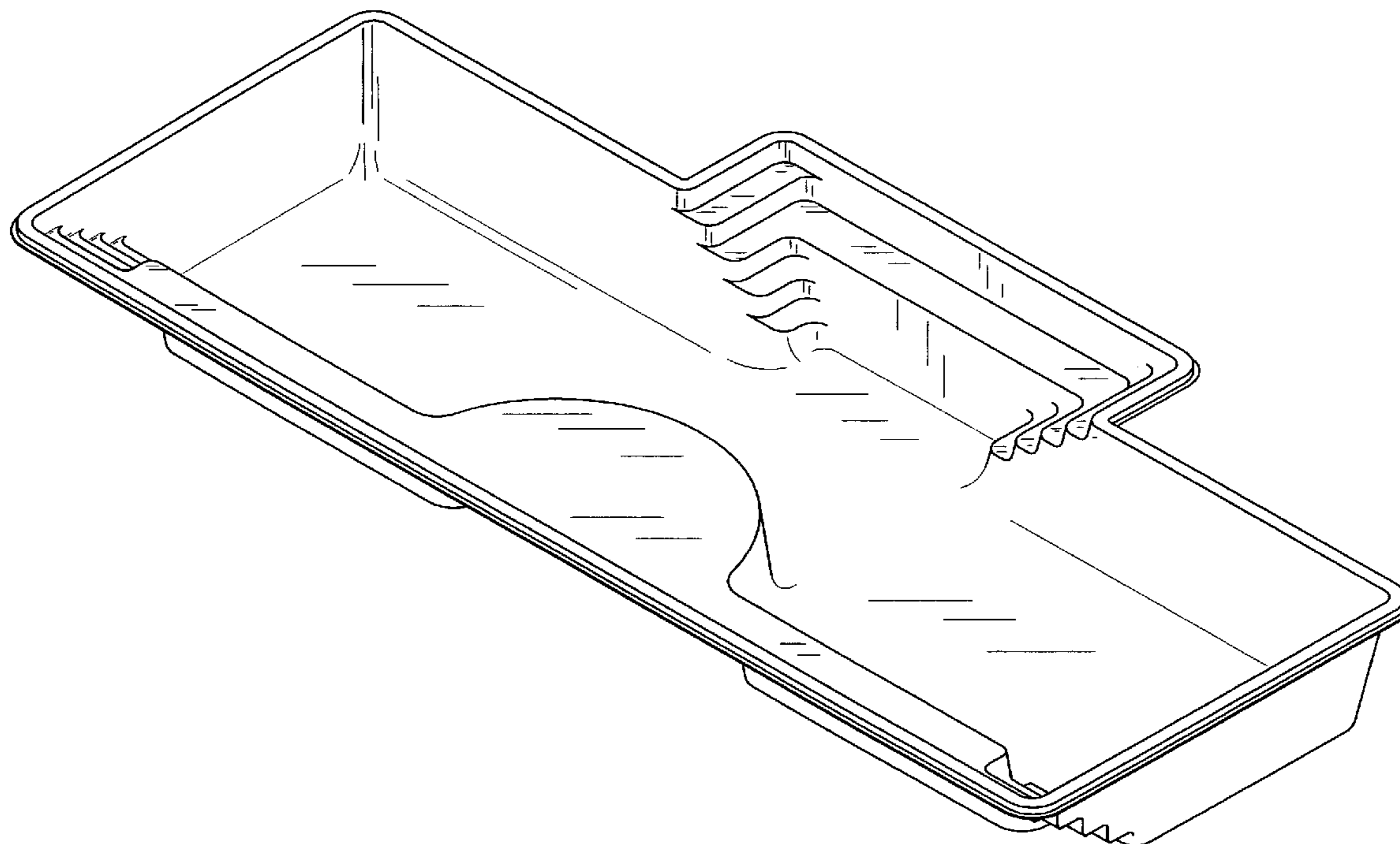
FIG. 4 is a bottom view;

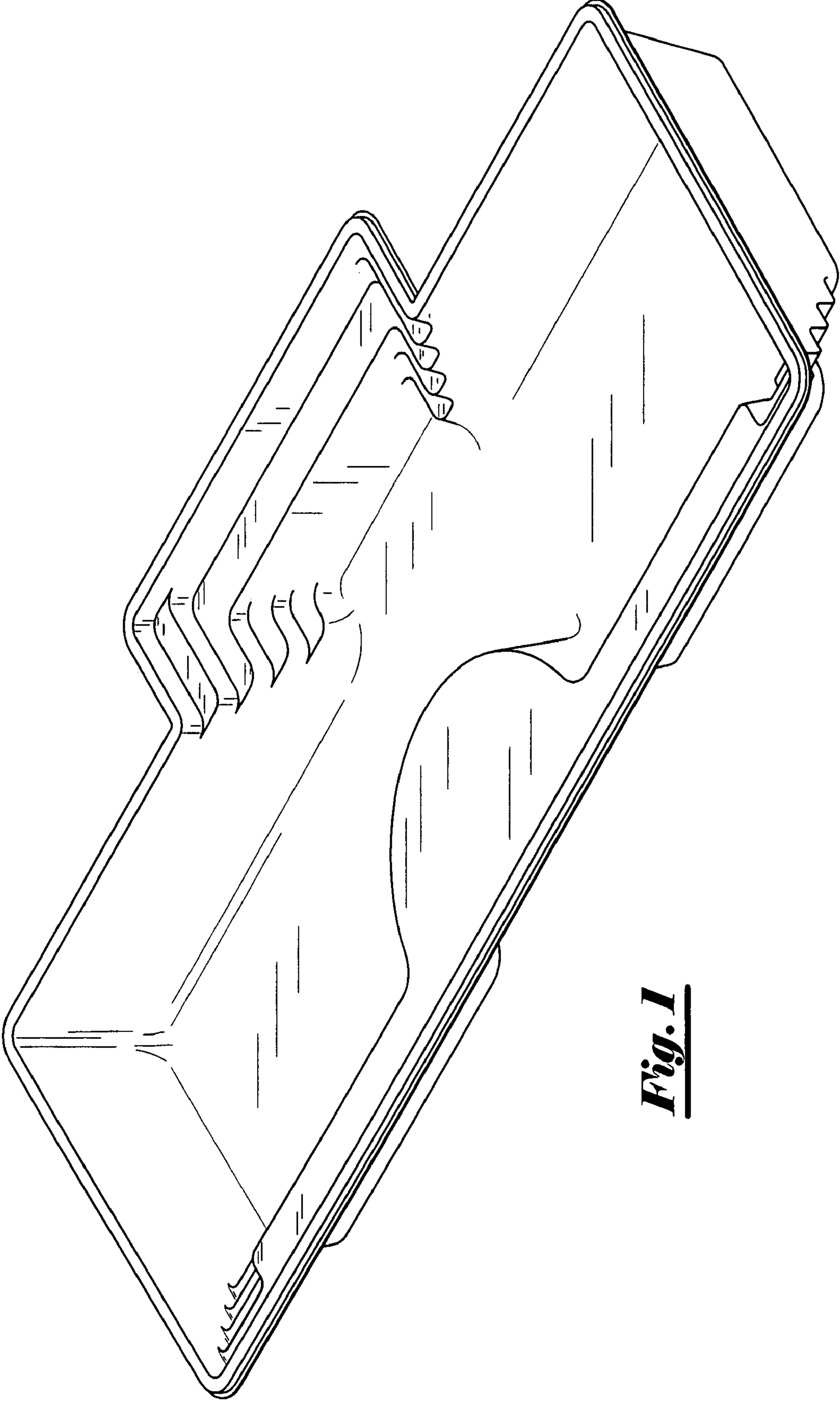
FIG. 5 is a rear view;

FIG. 6 is a side view; and,

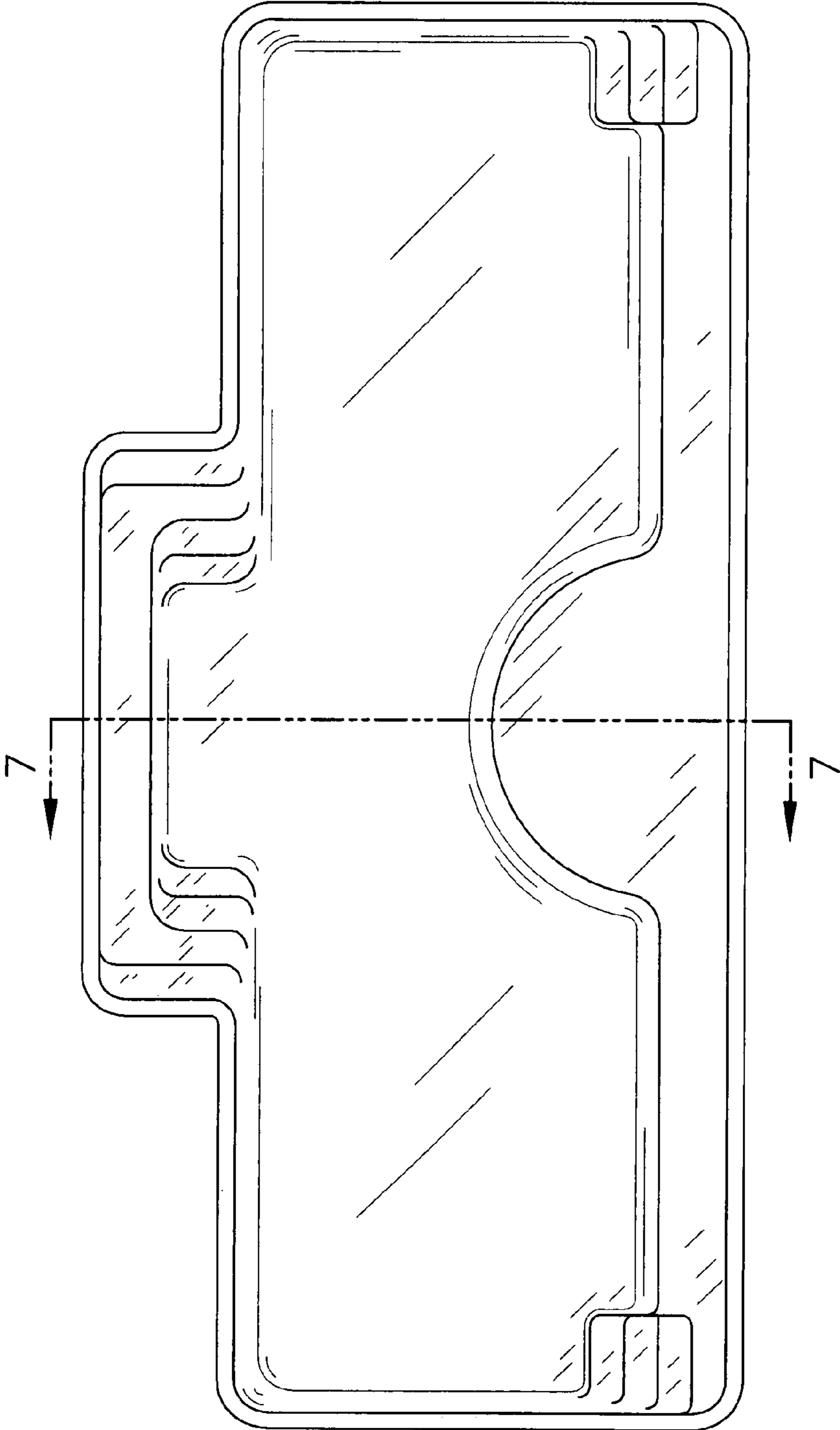
FIG. 7 is a cross section view taken along line 7—7 of FIG. 2.

**1 Claim, 4 Drawing Sheets**

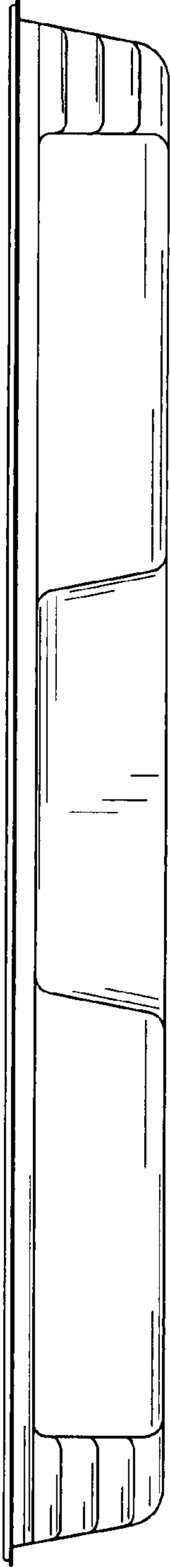




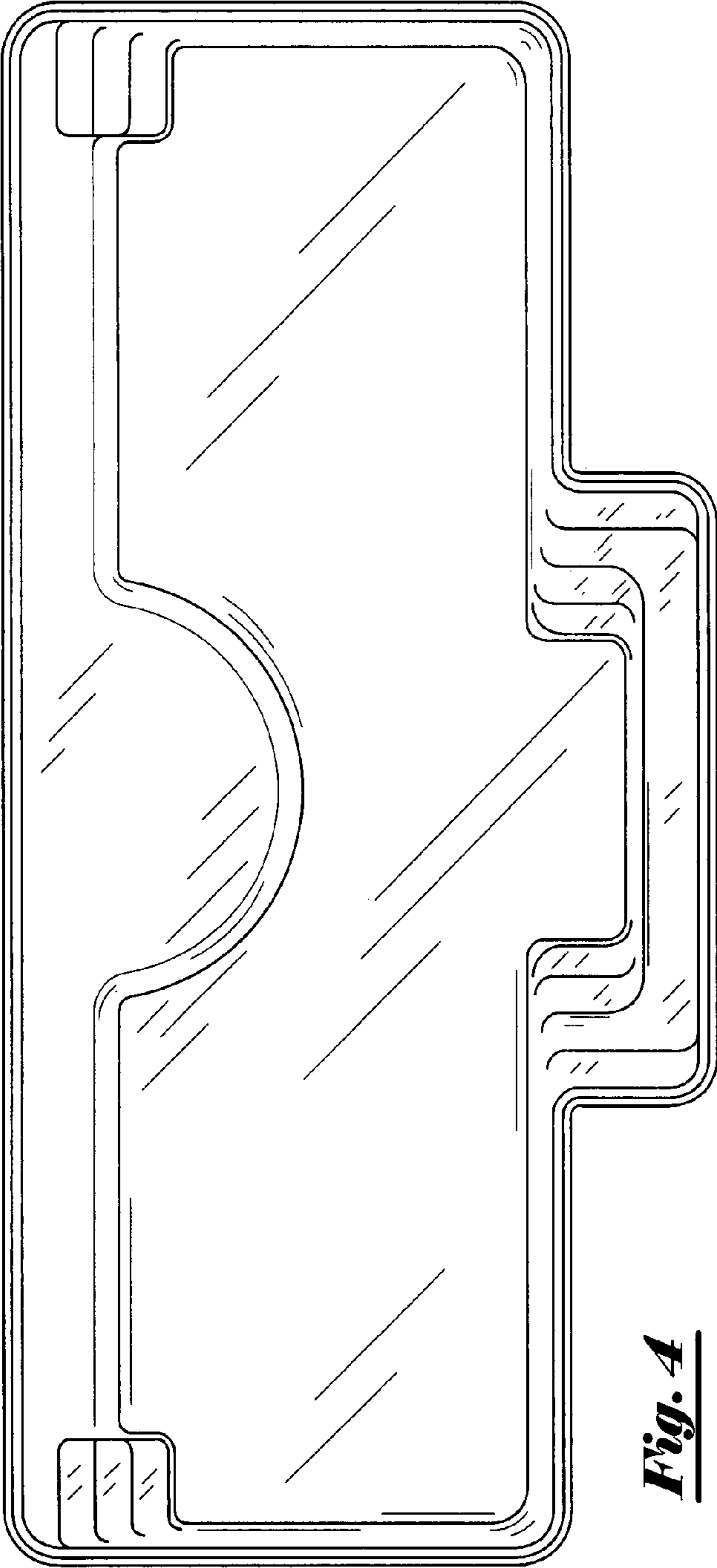
***Fig. 1***



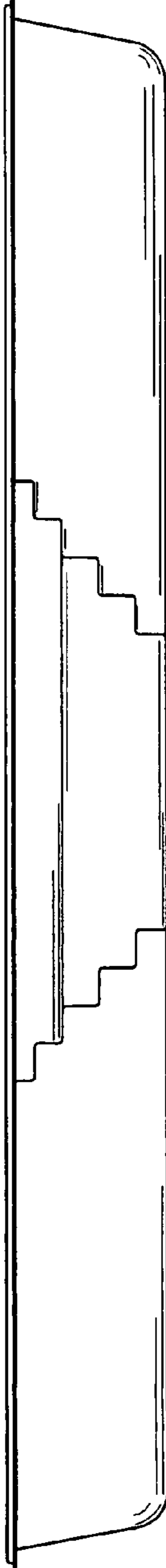
***Fig. 2***



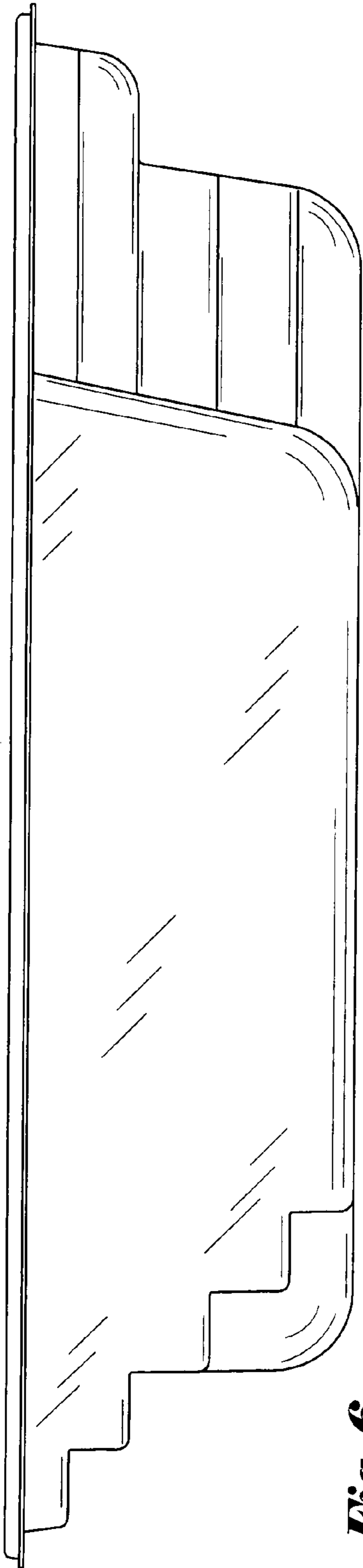
***Fig. 3***



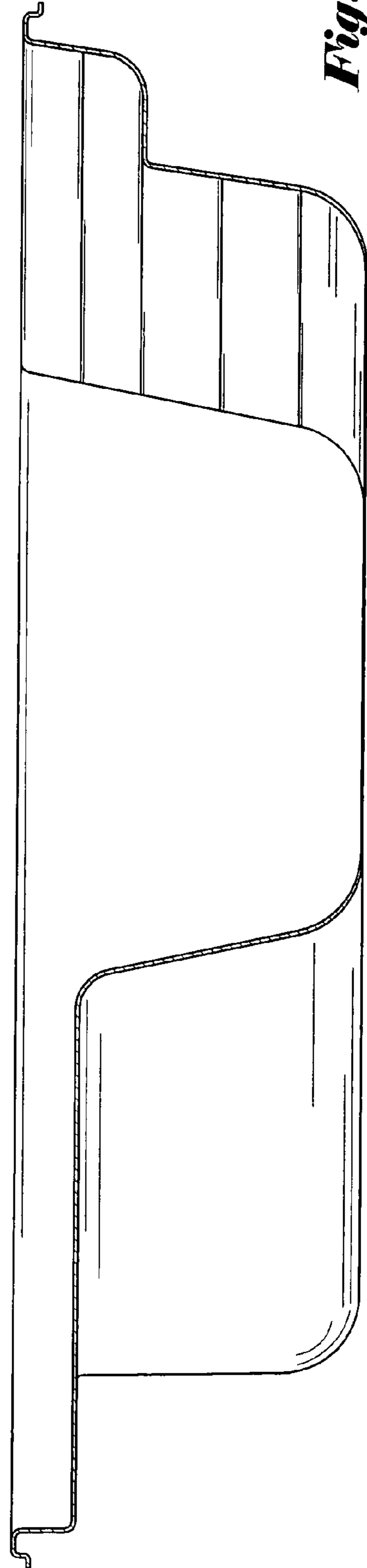
**Fig. 4**



**Fig. 5**



**Fig. 6**



**Fig. 7**