



US00D561346S

(12) **United States Design Patent** (10) **Patent No.:** **US D561,346 S**  
**Alejos** (45) **Date of Patent:** **\*\* Feb. 5, 2008**

(54) **PIPETTE** D426,642 S \* 6/2000 Rainin et al. .... D24/222  
D426,643 S \* 6/2000 Rainin et al. .... D24/222  
(75) Inventor: **Frédéric Alejos**, Cergy (FR) D438,630 S \* 3/2001 Honore ..... D24/222  
6,299,841 B1 10/2001 Rainin et al.  
(73) Assignee: **Gilson S.A.S.**, Villiers le Bel (FR) 6,841,129 B2 1/2005 Braun et al.  
6,968,749 B2 11/2005 Chen et al.  
(\*\*) Term: **14 Years** 2001/0043885 A1 11/2001 Wanner  
2001/0055547 A1 12/2001 Rainin et al.  
2005/0255006 A1 11/2005 Romaguera

(21) Appl. No.: **29/224,560**

(22) Filed: **Mar. 4, 2005**

(30) **Foreign Application Priority Data**

Sep. 7, 2004 (EM) ..... 000222989-0003

(51) **LOC (8) Cl.** ..... **24-02**

(52) **U.S. Cl.** ..... **D24/222**

(58) **Field of Classification Search** ..... D24/121,  
D24/222, 227; 422/100, 919, 922-926, 928-929;  
73/864.01, 864.11-12, 864.14-16, 864.23-24,  
73/864.33-35, 863.83; 141/25-27; 222/32  
See application file for complete search history.

(56) **References Cited**

**U.S. PATENT DOCUMENTS**

3,805,998 A \* 4/1974 Croslin ..... 222/32  
3,991,617 A \* 11/1976 Marteau d'Autry ..... 73/864.14  
D252,823 S \* 9/1979 Withers et al. .... D24/222  
D279,710 S 7/1985 Yonkers et al.  
4,567,780 A \* 2/1986 Oppenlander et al. ... 73/864.16  
4,779,467 A 10/1988 Rainin et al.  
5,018,394 A \* 5/1991 Gilson ..... 73/864.18  
D325,974 S 5/1992 Kalmakis et al.  
D375,798 S \* 11/1996 Boothby ..... D24/222  
5,983,733 A \* 11/1999 Strandberg et al. .... 73/864.11  
D419,685 S \* 1/2000 Jacquet et al. .... D24/222

**OTHER PUBLICATIONS**

Transferpette® electronic brochure available at <http://www.brandtech.com>, Apr. 3, 2004 (4 pgs.).

\* cited by examiner

*Primary Examiner*—Robert A. Delehanty

*Assistant Examiner*—Mark Cavanna

(74) *Attorney, Agent, or Firm*—Foley & Lardner LLP

(57) **CLAIM**

The ornamental design for a pipette, as shown and described.

**DESCRIPTION**

FIG. 1 is a front view of a pipette according to the present design;

FIG. 2 is a rear view;

FIG. 3 is a left side view;

FIG. 4 is a right side view;

FIG. 5 is a rear perspective view; and,

FIG. 6 is a front perspective view.

**1 Claim, 3 Drawing Sheets**

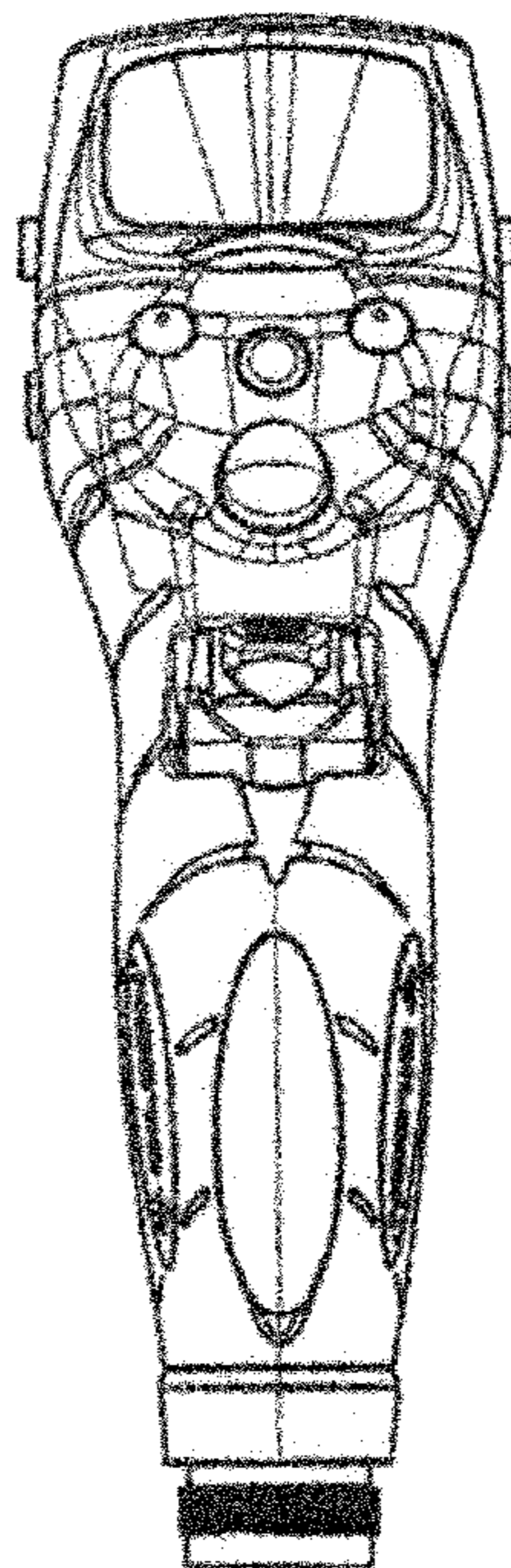


FIG. 1

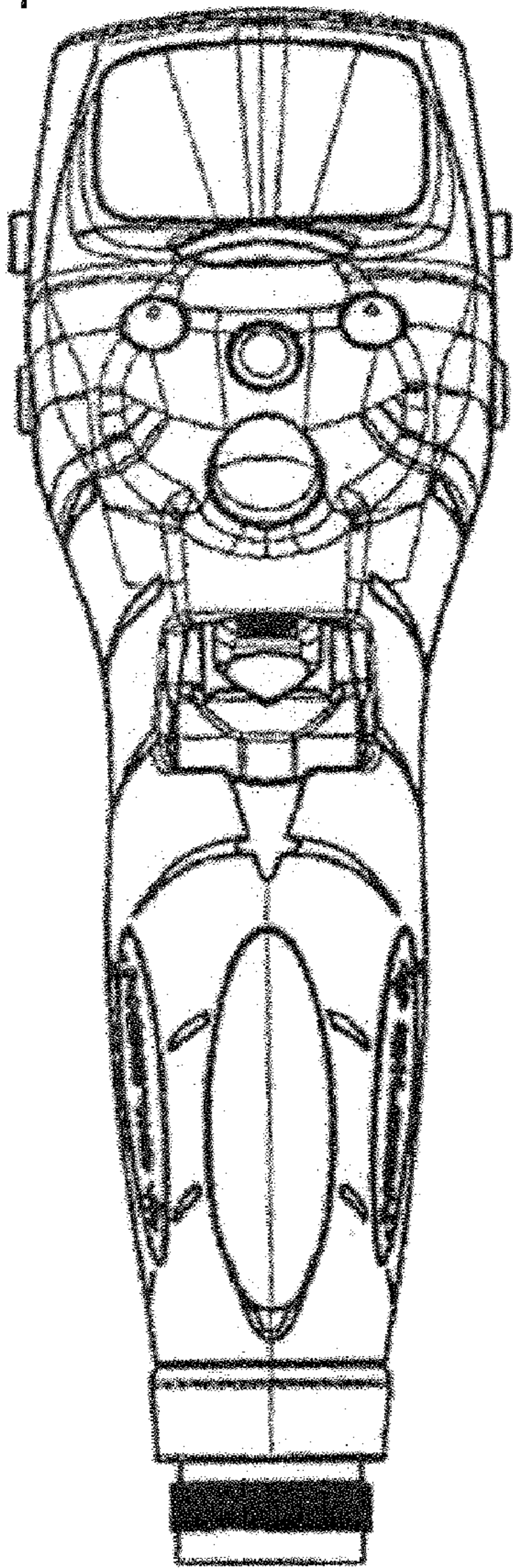


FIG. 3

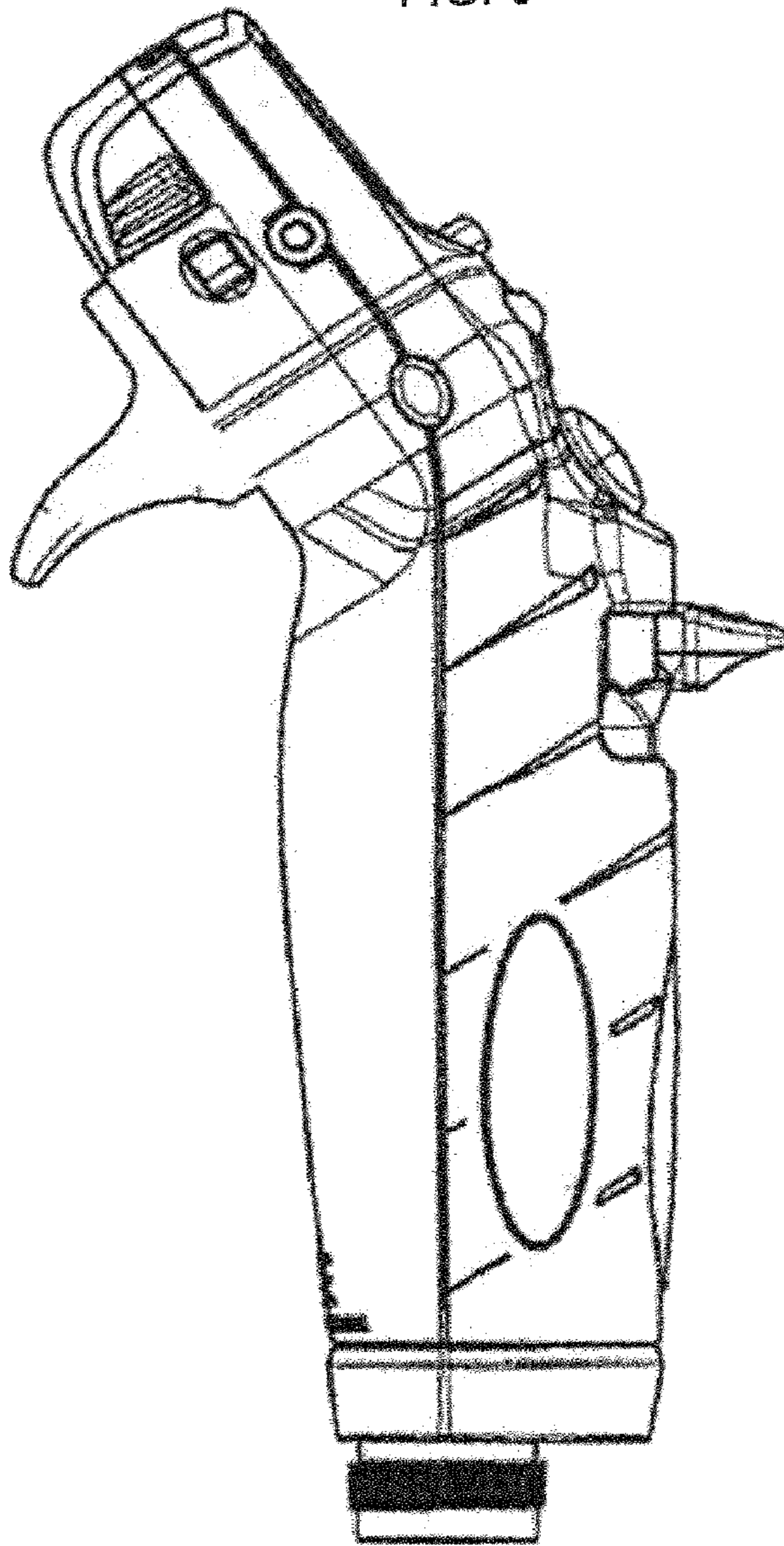


FIG. 4

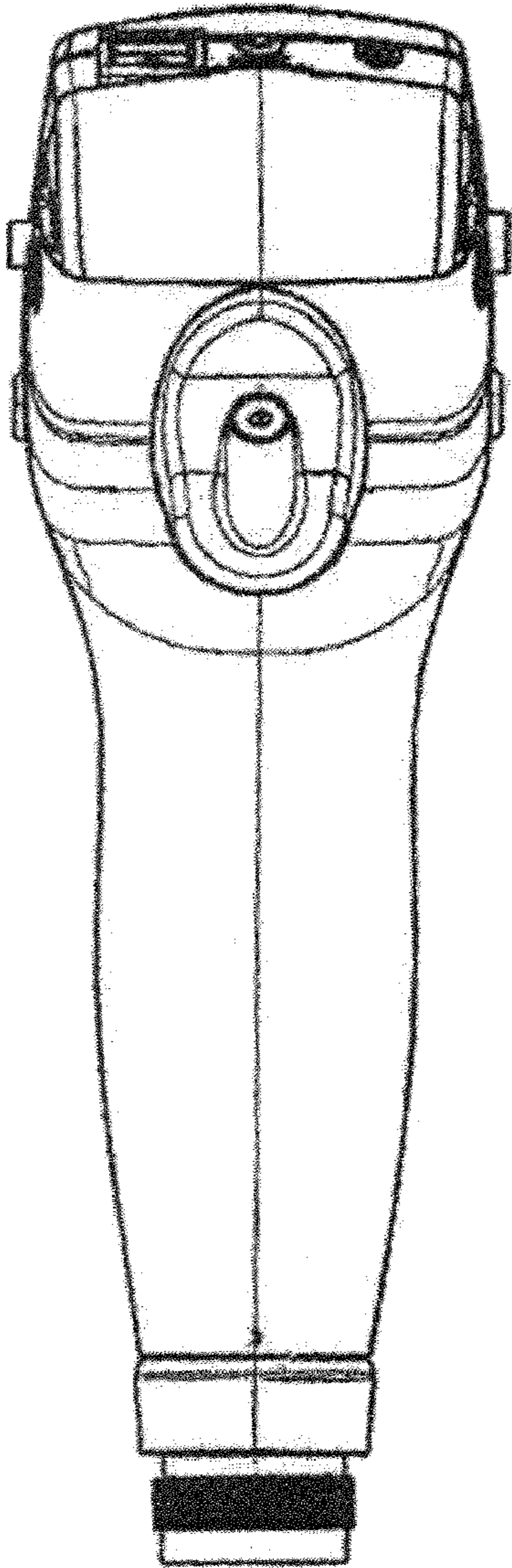
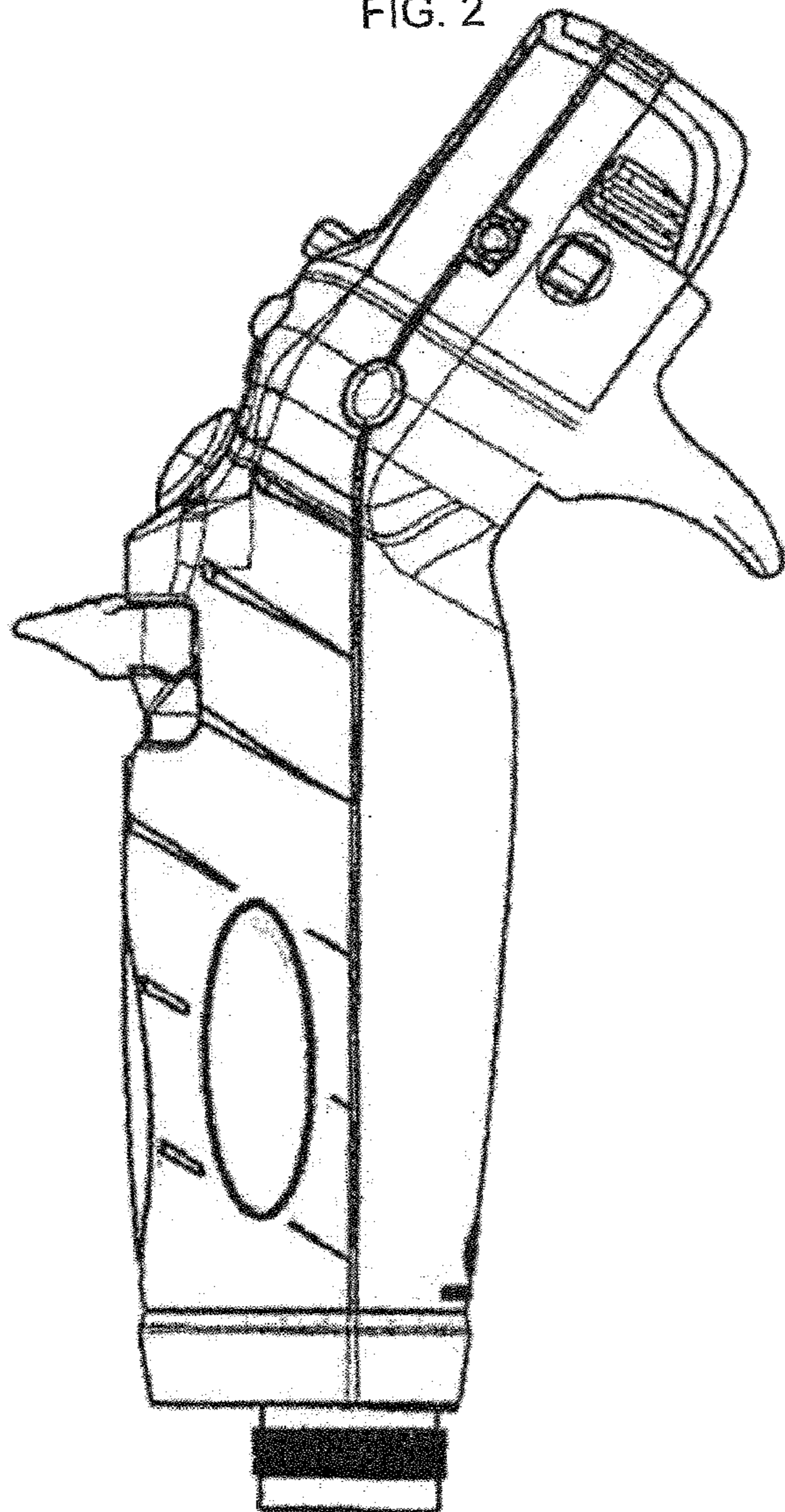


FIG. 2



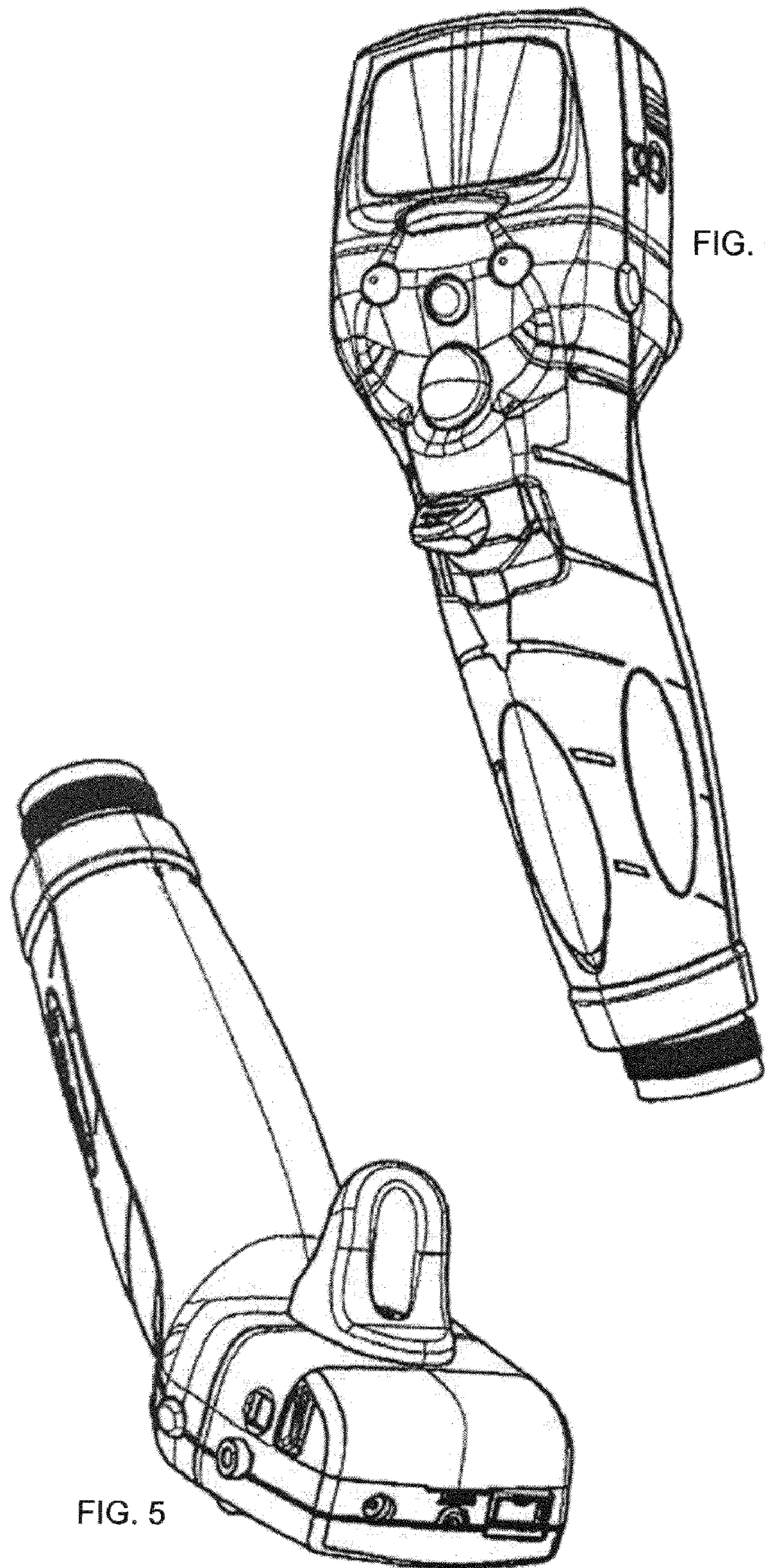


FIG. 5

FIG. 6