



US00D561341S

(12) **United States Design Patent** (10) **Patent No.:** **US D561,341 S**
Riley (45) **Date of Patent:** **** Feb. 5, 2008**

(54) **LEG SUPPORT**

(76) Inventor: **Thomas J. Riley**, 811 Bromfield Ter.,
Manchester, MO (US) 63021

(**) Term: **14 Years**

(21) Appl. No.: **29/276,046**

(22) Filed: **Jan. 12, 2007**

(51) **LOC (8) Cl.** **24-01**

(52) **U.S. Cl.** **D24/184**

(58) **Field of Classification Search** D24/110,
D24/157-159, 183-184, 206; 128/845-846;
219/211-212, 217, 219, 528-529, 549; 602/16
See application file for complete search history.

(56) **References Cited**

U.S. PATENT DOCUMENTS

3,979,595	A	9/1976	Merchant	
D361,383	S *	8/1995	Lipson et al.	D24/183
D375,163	S *	10/1996	Lipson et al.	D24/183
D376,428	S *	12/1996	Lipson et al.	D24/183
D393,069	S *	3/1998	Jope	D24/158
D393,071	S *	3/1998	Kennemore	D24/183
D402,035	S *	12/1998	Sullenberger et al.	D24/157
D402,370	S *	12/1998	Sullenberger et al.	D24/159
D463,861	S *	10/2002	Siepmann et al.	D24/184
D518,894	S *	4/2006	Kirn	D24/184
D535,030	S *	1/2007	Brefka et al.	D24/184

* cited by examiner

Primary Examiner—Robert A. Delehanty

Assistant Examiner—Mark Cavanna

(74) *Attorney, Agent, or Firm*—Charles McCloskey

(57) **CLAIM**

The ornamental design for leg support, as shown and described.

DESCRIPTION

FIG. 1 is an isometric view of the rear of the leg support constructed in accordance with the principles of the present invention;

FIG. 2 is an isometric view of the rear of the leg support with table inclined and dowels in place of the present invention;

FIG. 3 is a front view of the leg support with the table inclined and dowels in place;

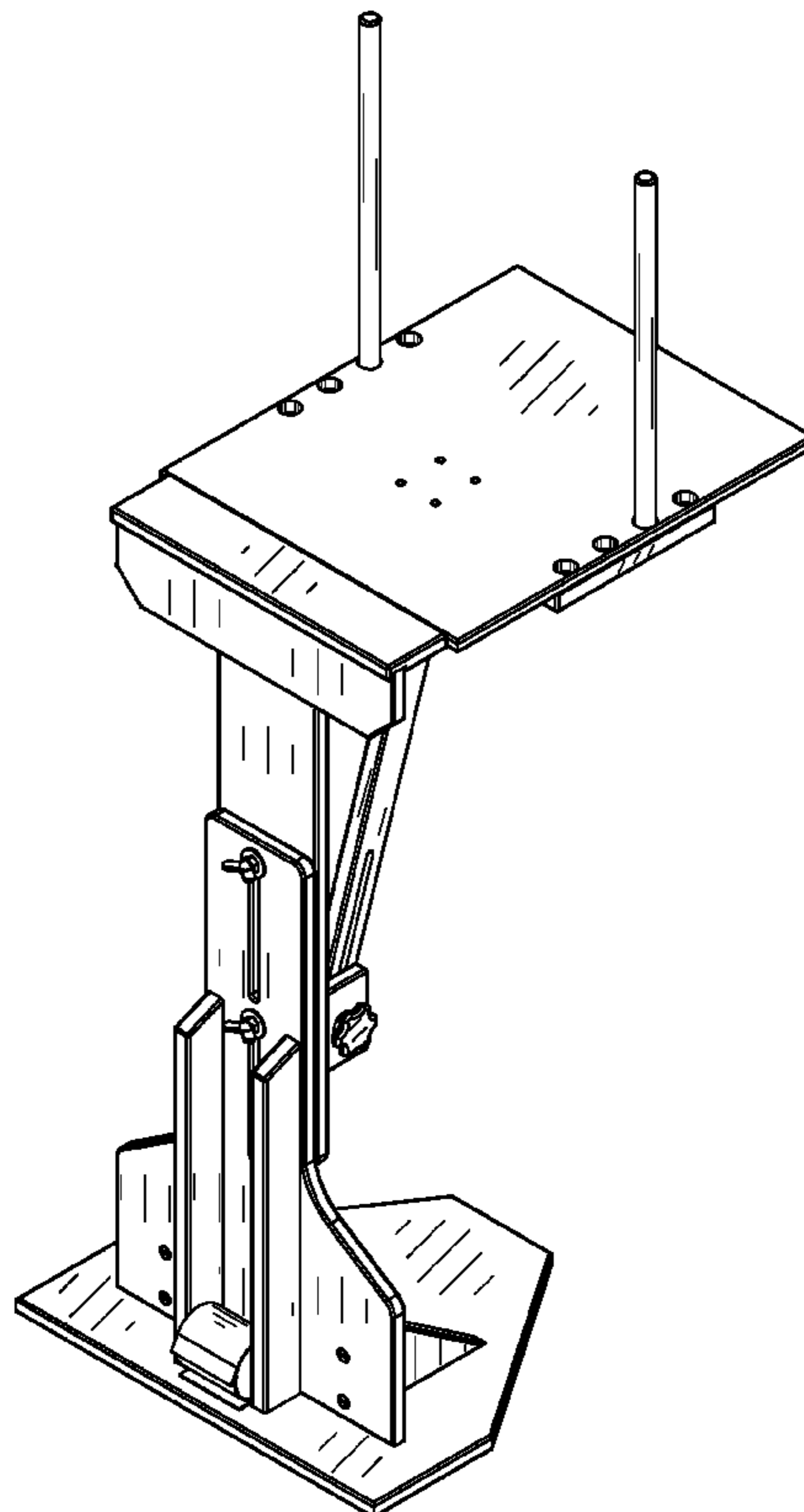
FIG. 4 is a left side view of the leg support of the present invention;

FIG. 5 is a right side view of the leg support of the present invention;

FIG. 6 is a top view of the leg support; and,

FIG. 7 is a front view of the leg support when the dowels are removed.

1 Claim, 7 Drawing Sheets



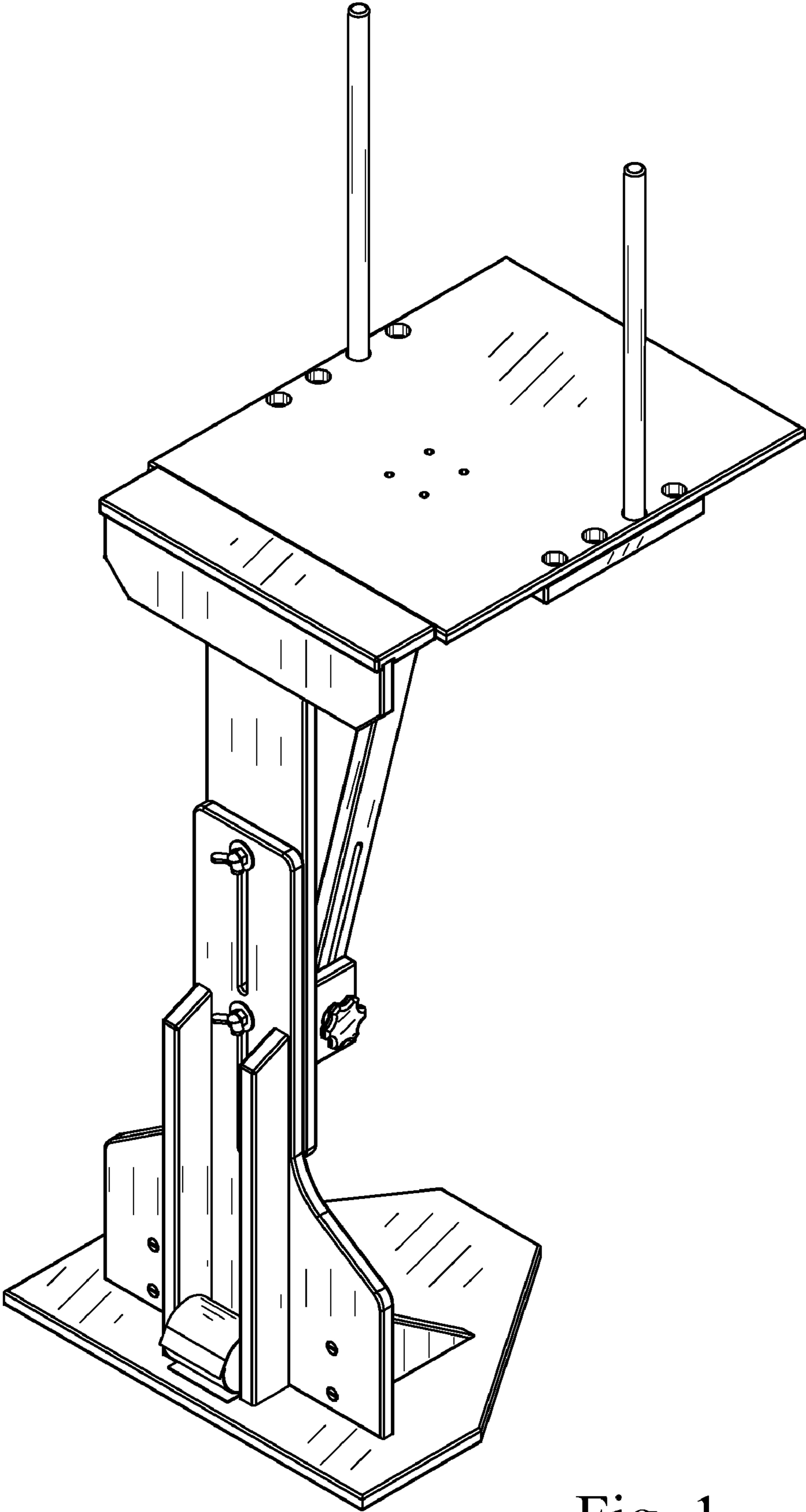


Fig. 1

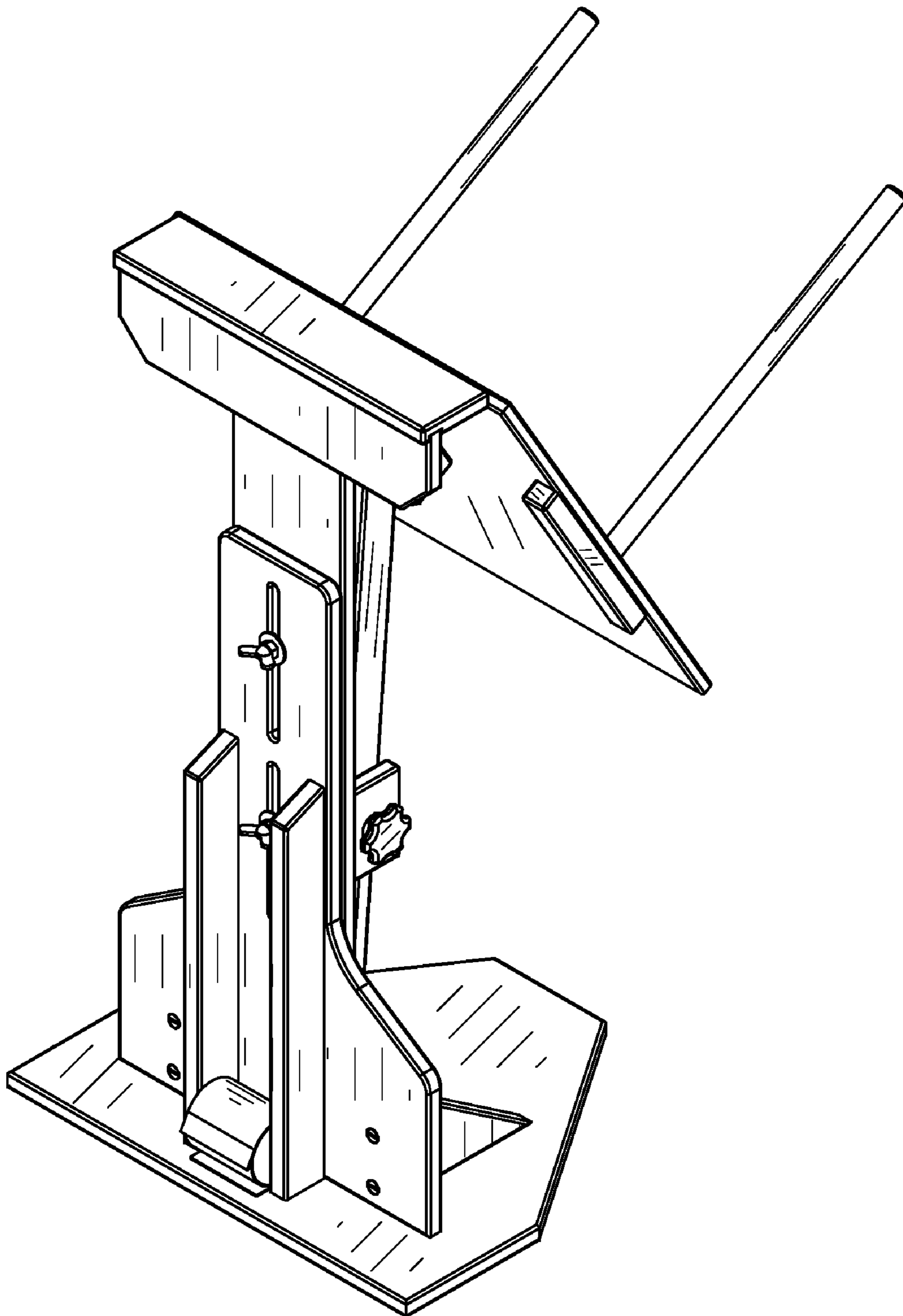


Fig. 2

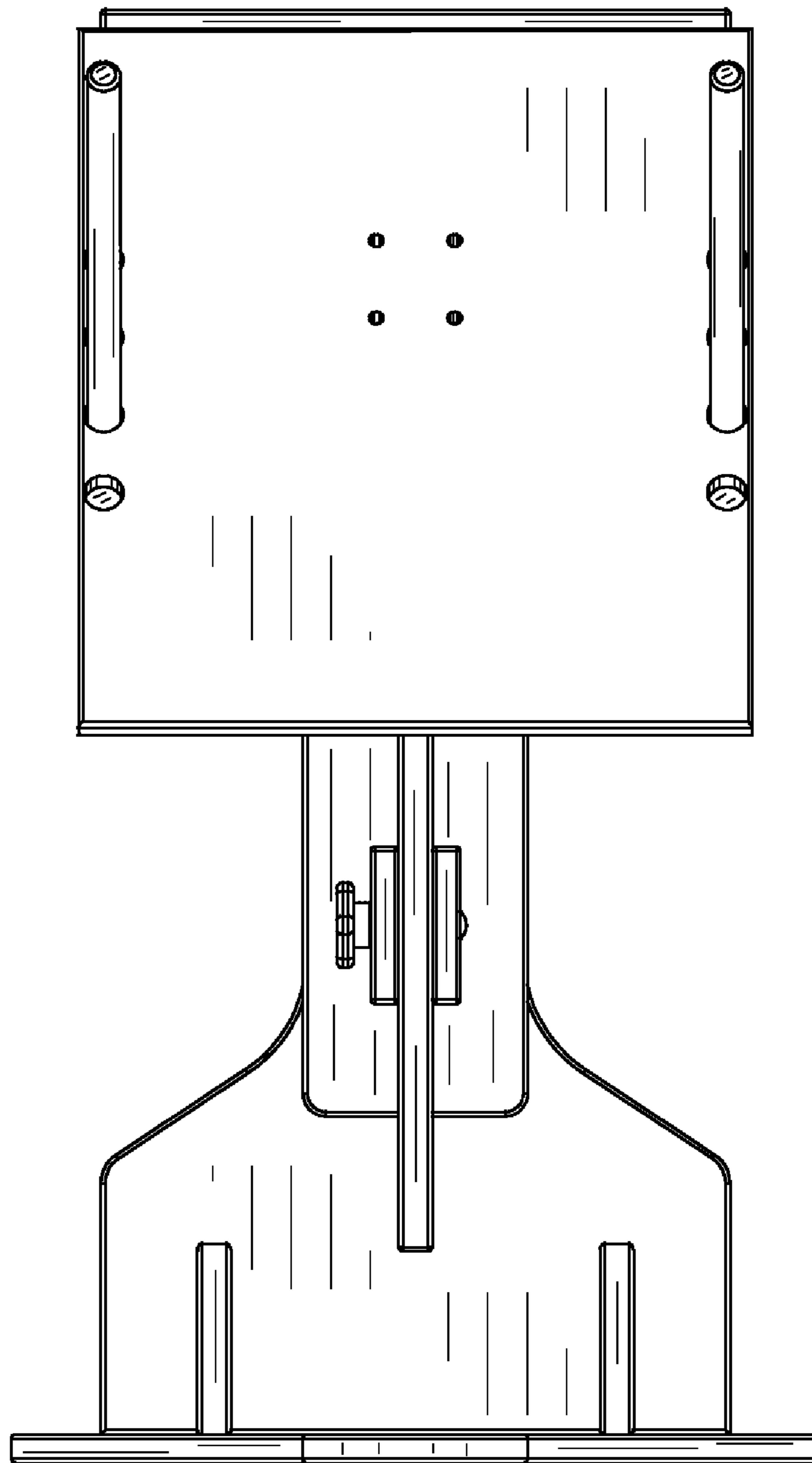


Fig. 3

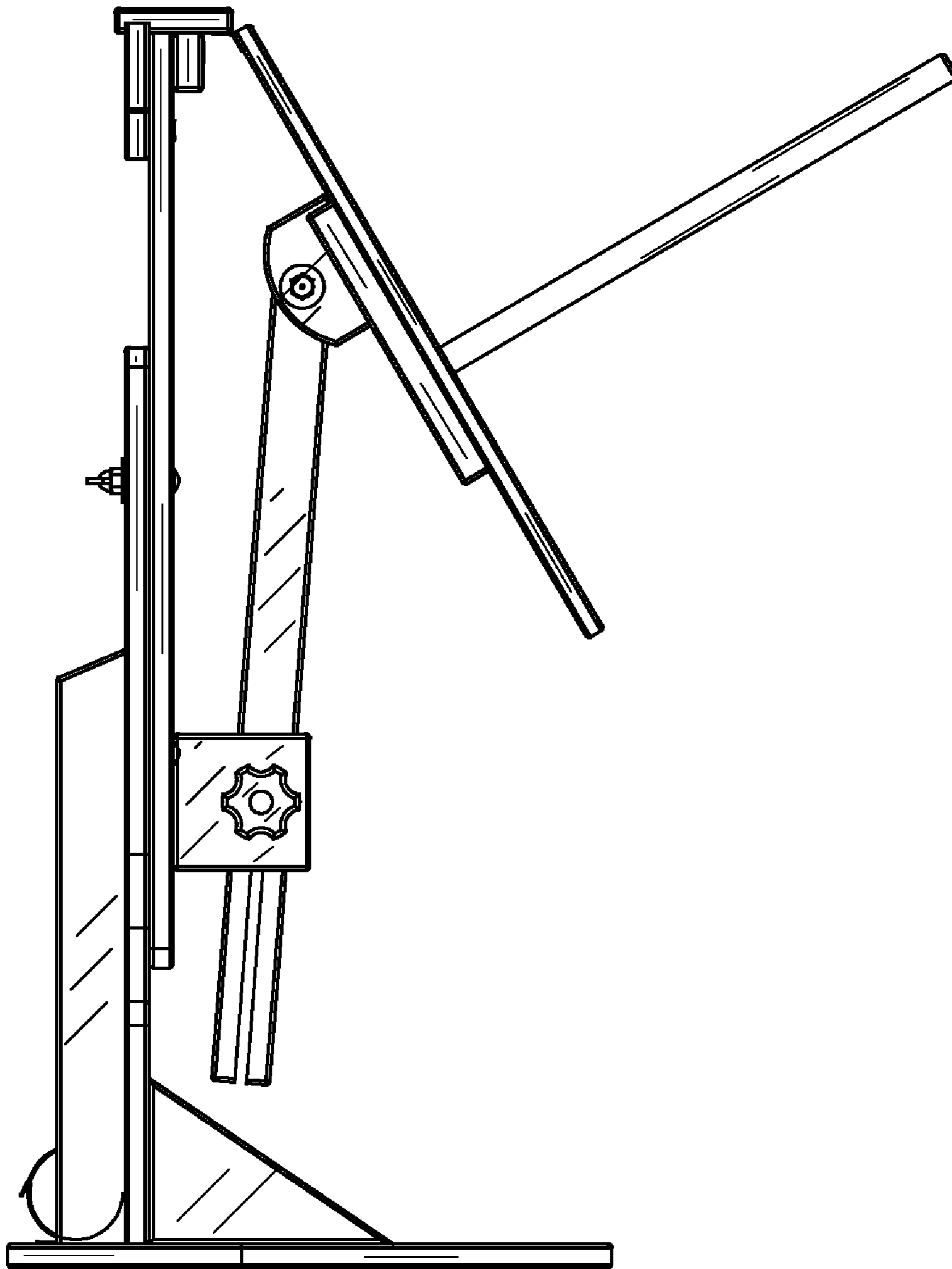


Fig. 4

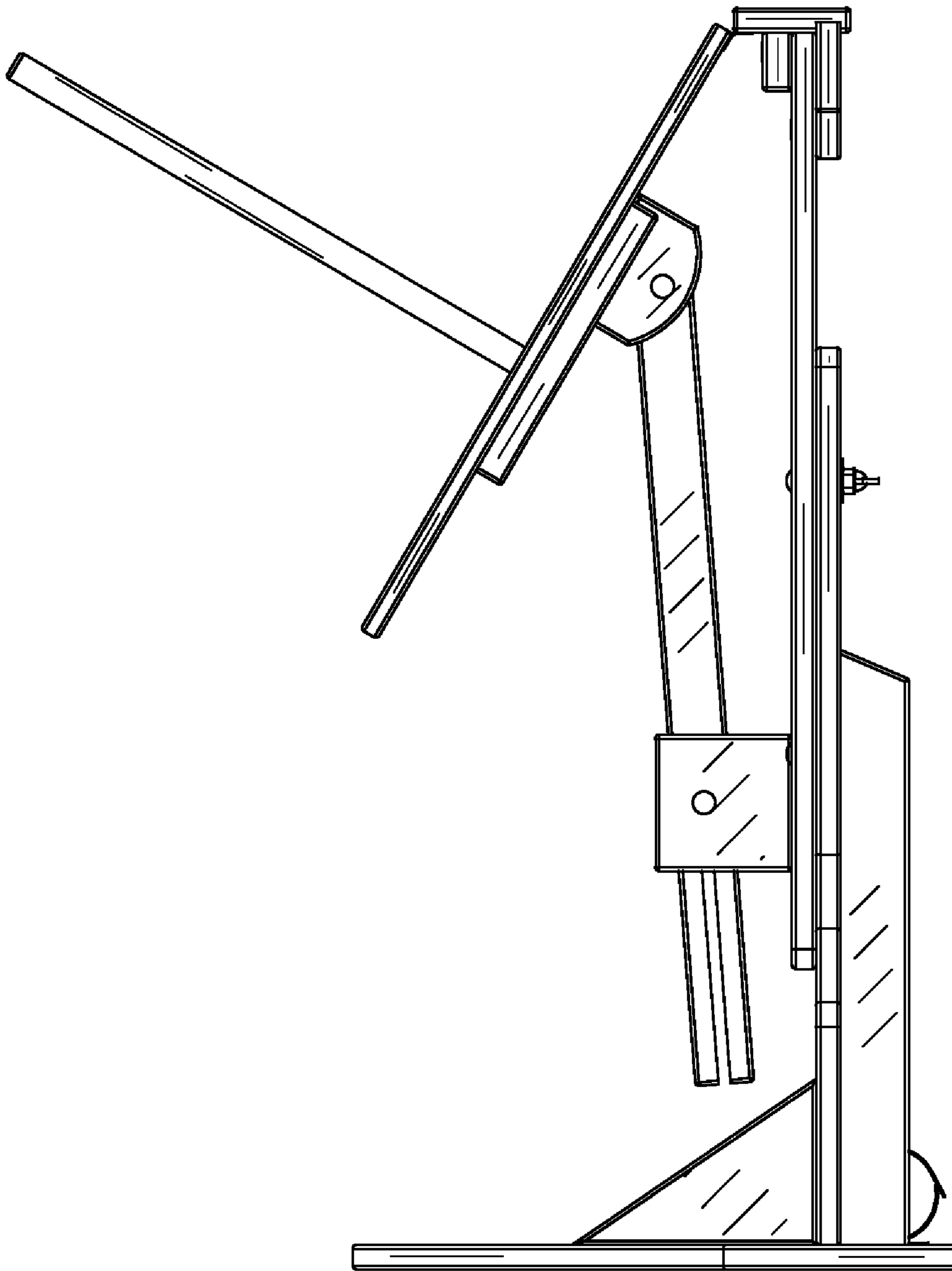


Fig. 5

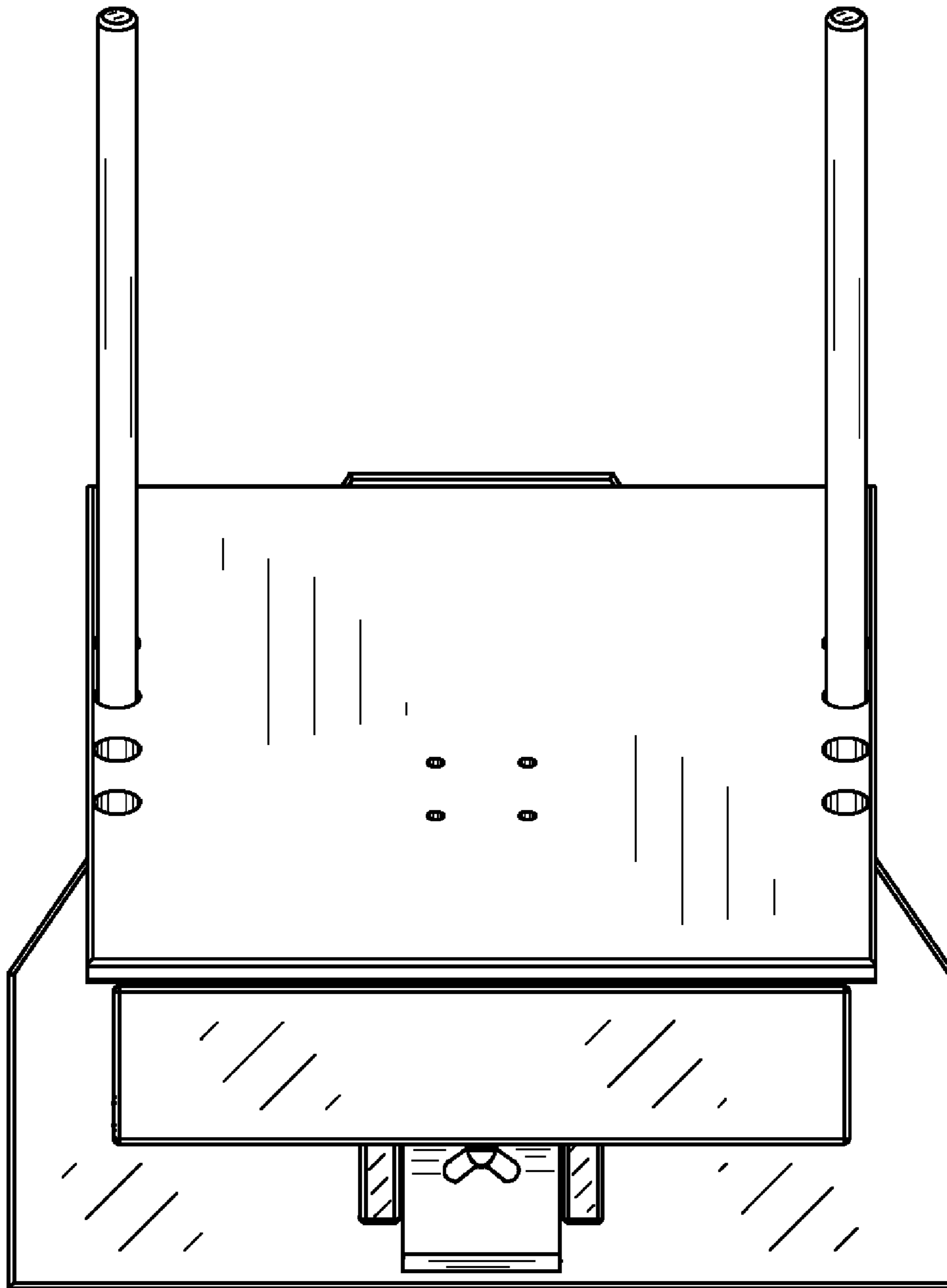


Fig. 6

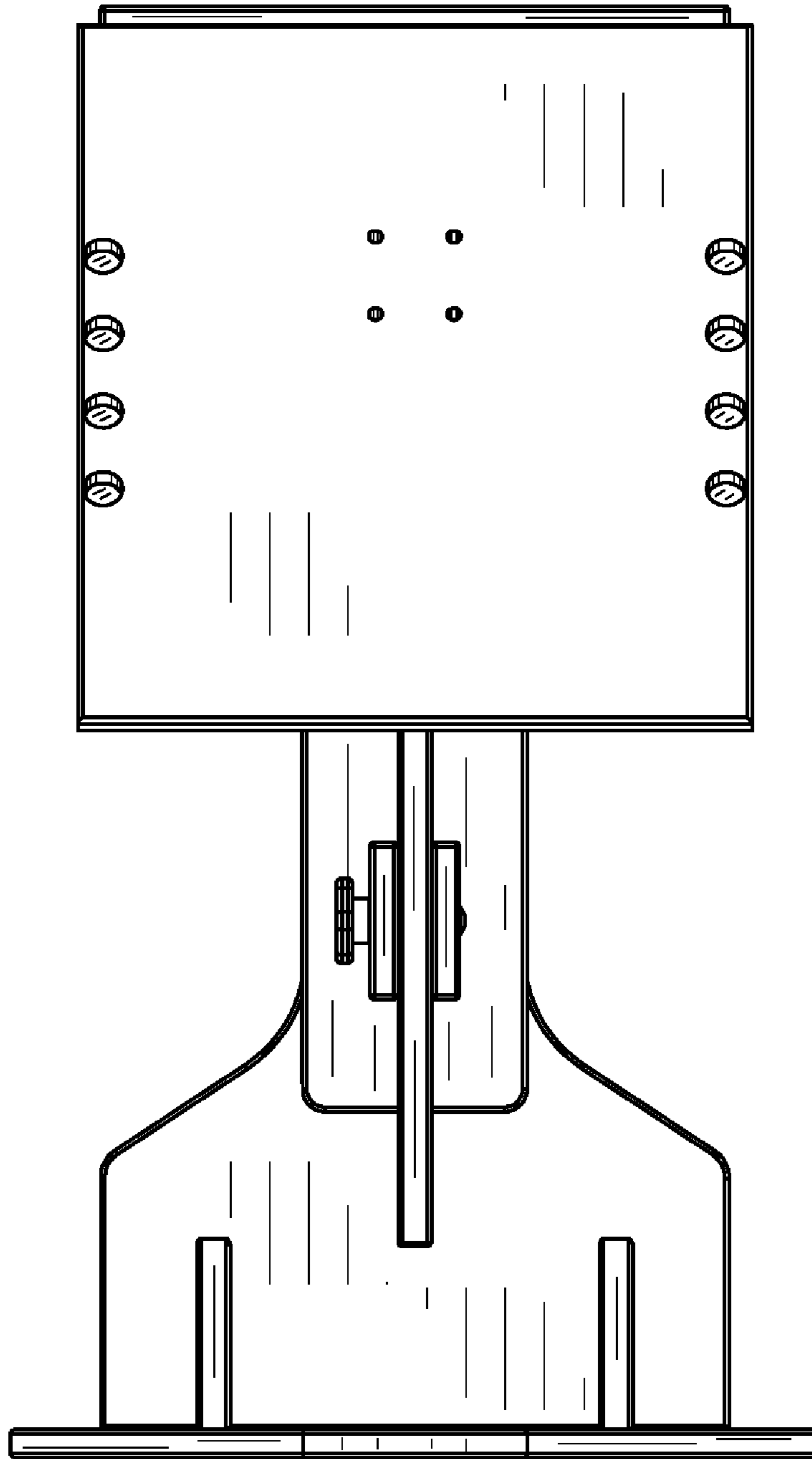


Fig. 7