



US00D561340S

(12) **United States Design Patent** (10) **Patent No.:** **US D561,340 S**
Kitamura et al. (45) **Date of Patent:** **** Feb. 5, 2008**

(54) **SPHYGMOMANOMETER**

(75) Inventors: **Masashi Kitamura**, Matsusaka (JP);
Tadashi Koike, Kyoto (JP); **Yukiko Mitsunami**, Otsu (JP); **Takahide Tanaka**, Otsu (JP); **Hiroyuki Kato**, Kyoto (JP); **Masayuki Fukutsuka**, Uji (JP); **Takashi Shigeno**, Kawasaki (JP); **Kazuya Andachi**, Kawasaki (JP)

(73) Assignee: **Omron Healthcare Co., Ltd.**, Kyoto (JP)

(**) Term: **14 Years**

(21) Appl. No.: **29/277,672**

(22) Filed: **Mar. 6, 2007**

(30) **Foreign Application Priority Data**

Sep. 7, 2006	(JP)	2006-023887
Sep. 7, 2006	(JP)	2006-023888
Sep. 7, 2006	(JP)	2006-023889
Sep. 7, 2006	(JP)	2006-023890
Sep. 7, 2006	(JP)	2006-023891
Sep. 7, 2006	(JP)	2006-023892

(51) **LOC (8) Cl.** **24-02**

(52) **U.S. Cl.** **D24/165**

(58) **Field of Classification Search** D24/165-169,
D24/186; D10/96, 98; 600/480, 485, 500,
600/502, 503, 490-496, 499; 128/900
See application file for complete search history.

(56) **References Cited**

U.S. PATENT DOCUMENTS

D344,338 S *	2/1994	Yoshikawa et al.	D24/165
D373,419 S *	9/1996	Muramatsu et al.	D24/165
D473,945 S *	4/2003	Nakanishi et al.	D24/165
6,547,741 B2 *	4/2003	Mori et al.	600/490

D484,980 S *	1/2004	Hartwein et al.	D24/165
D496,104 S *	9/2004	Eda et al.	D24/165
D532,518 S *	11/2006	Eda et al.	D24/165
D533,279 S *	12/2006	Kobayashi et al.	D24/165
D533,666 S *	12/2006	Kobayashi et al.	D24/165
D537,944 S *	3/2007	Eda et al.	D24/165

FOREIGN PATENT DOCUMENTS

KR	30-0256390	4/2000
KR	30-0348509	3/2004

OTHER PUBLICATIONS

Japanese Office Action dated Feb. 27, 2007.
Japanese Office Action dated Feb. 27, 2007.

* cited by examiner

Primary Examiner—Ian Simmons

Assistant Examiner—Anhdao Doan

(74) *Attorney, Agent, or Firm*—Harness, Dickey & Pierce, P.L.C.

(57) **CLAIM**

The ornamental design for a sphygmomanometer, as shown and described.

DESCRIPTION

FIG. 1 is a perspective view of an embodiment of a sphygmomanometer showing our new design;

FIG. 2 is front elevational view thereof;

FIG. 3 is a rear elevational view thereof;

FIG. 4 is a top plan view thereof;

FIG. 5 is a bottom plan view thereof; and,

FIG. 6 is a right side elevational view thereof, the left side being a mirror image thereof.

The broken lines shown in the figures are for illustrative purpose only, and form no part of the claimed design.

1 Claim, 6 Drawing Sheets

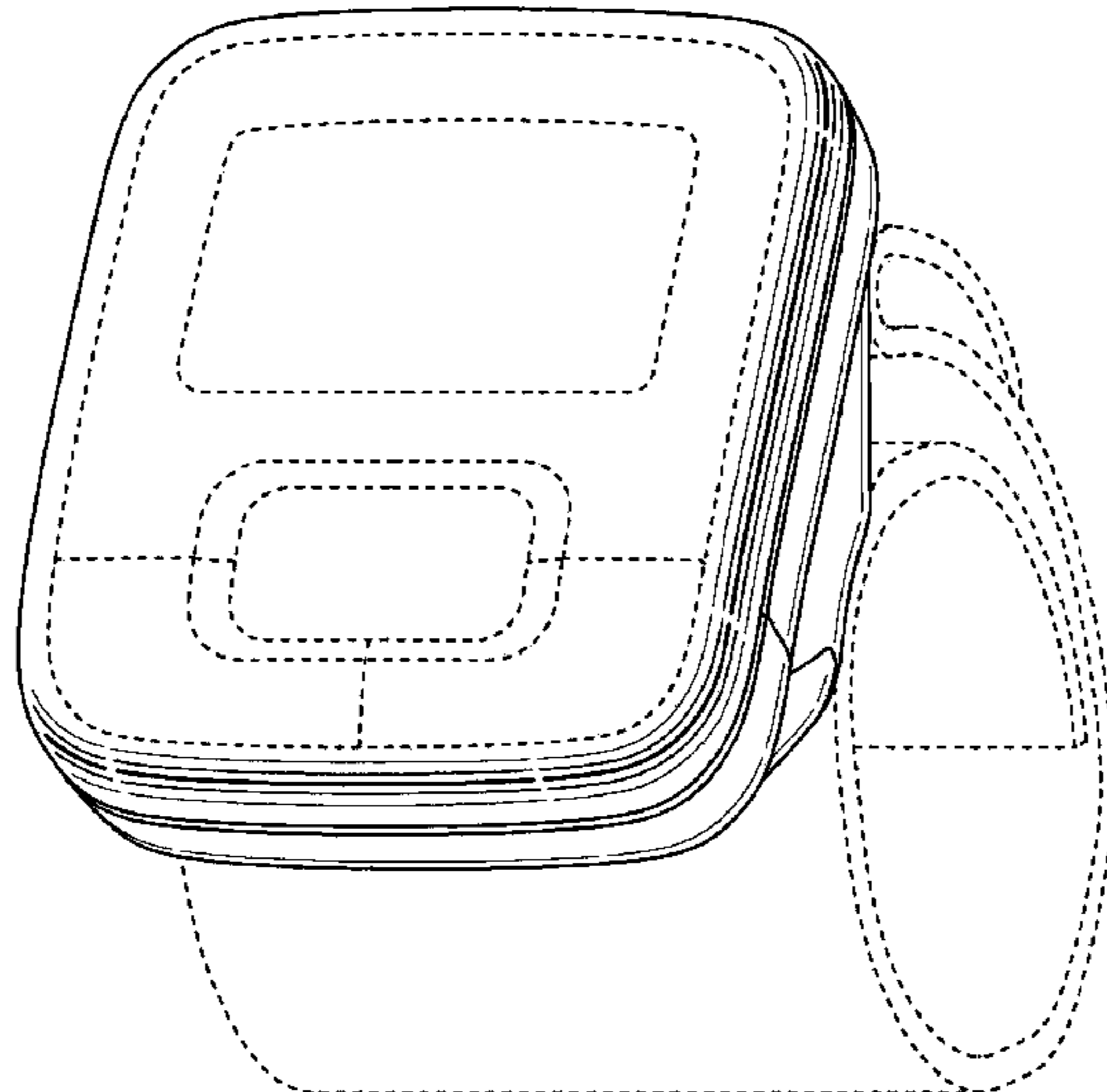


Fig. 1

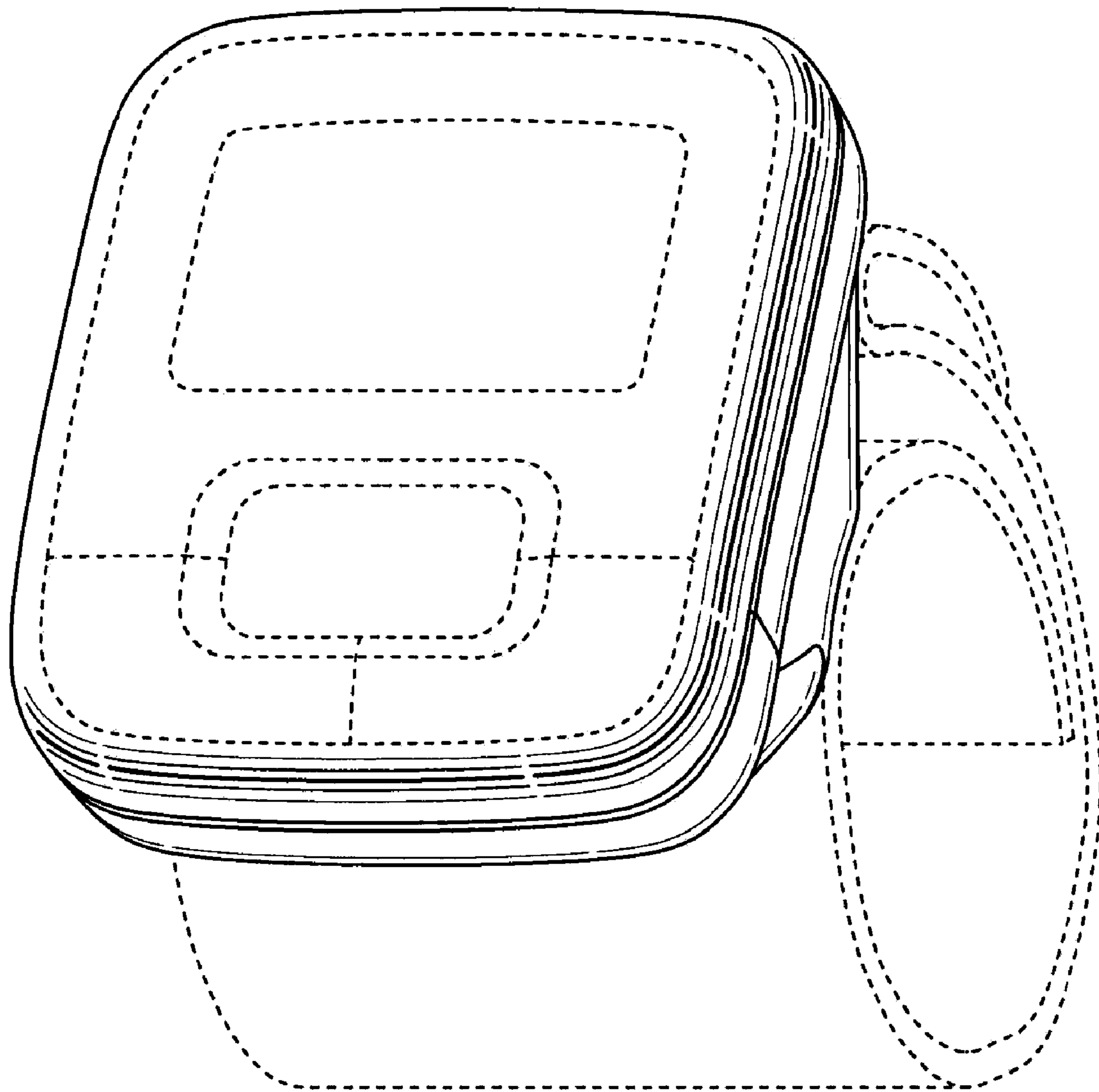


Fig. 2

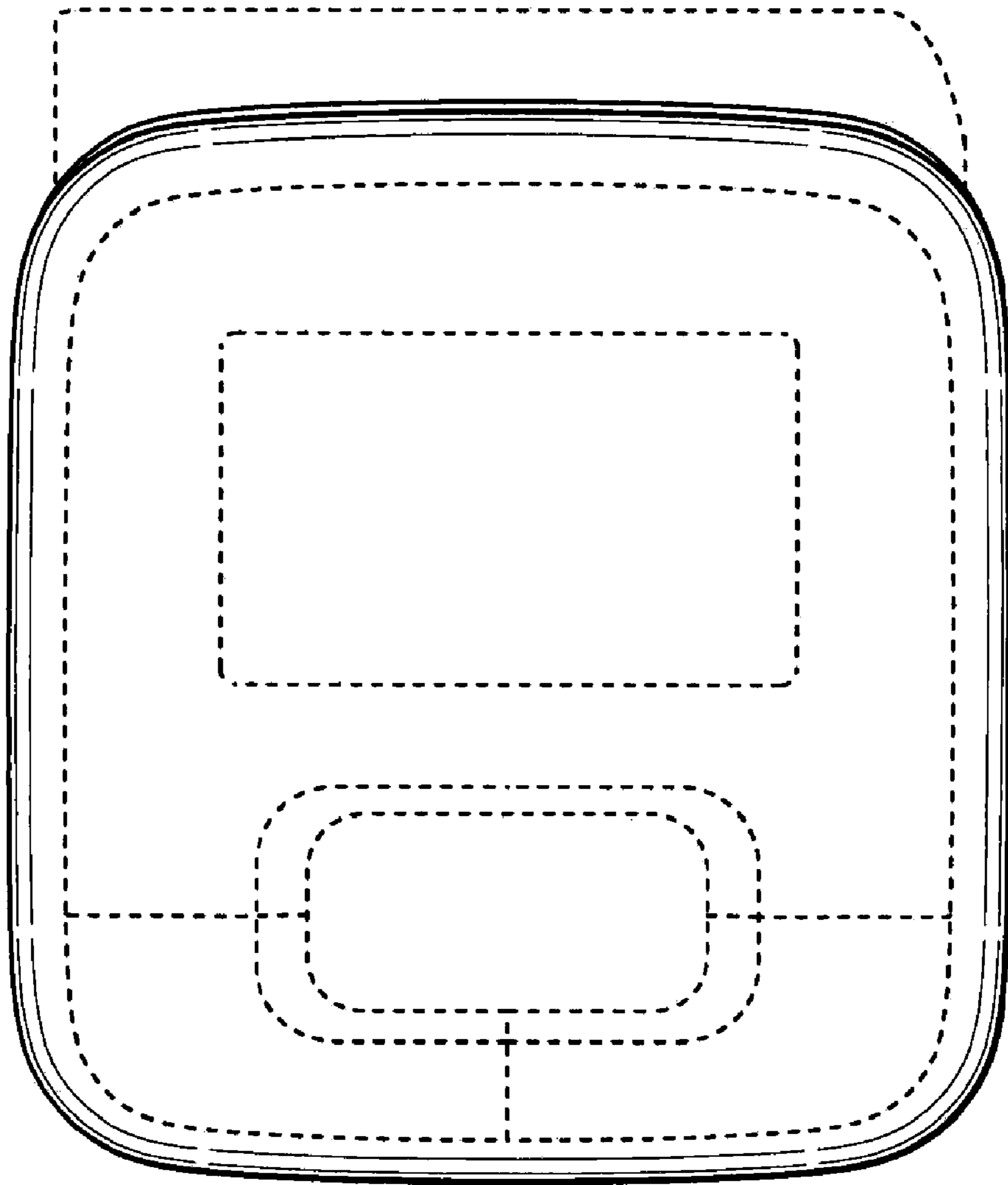


Fig. 3

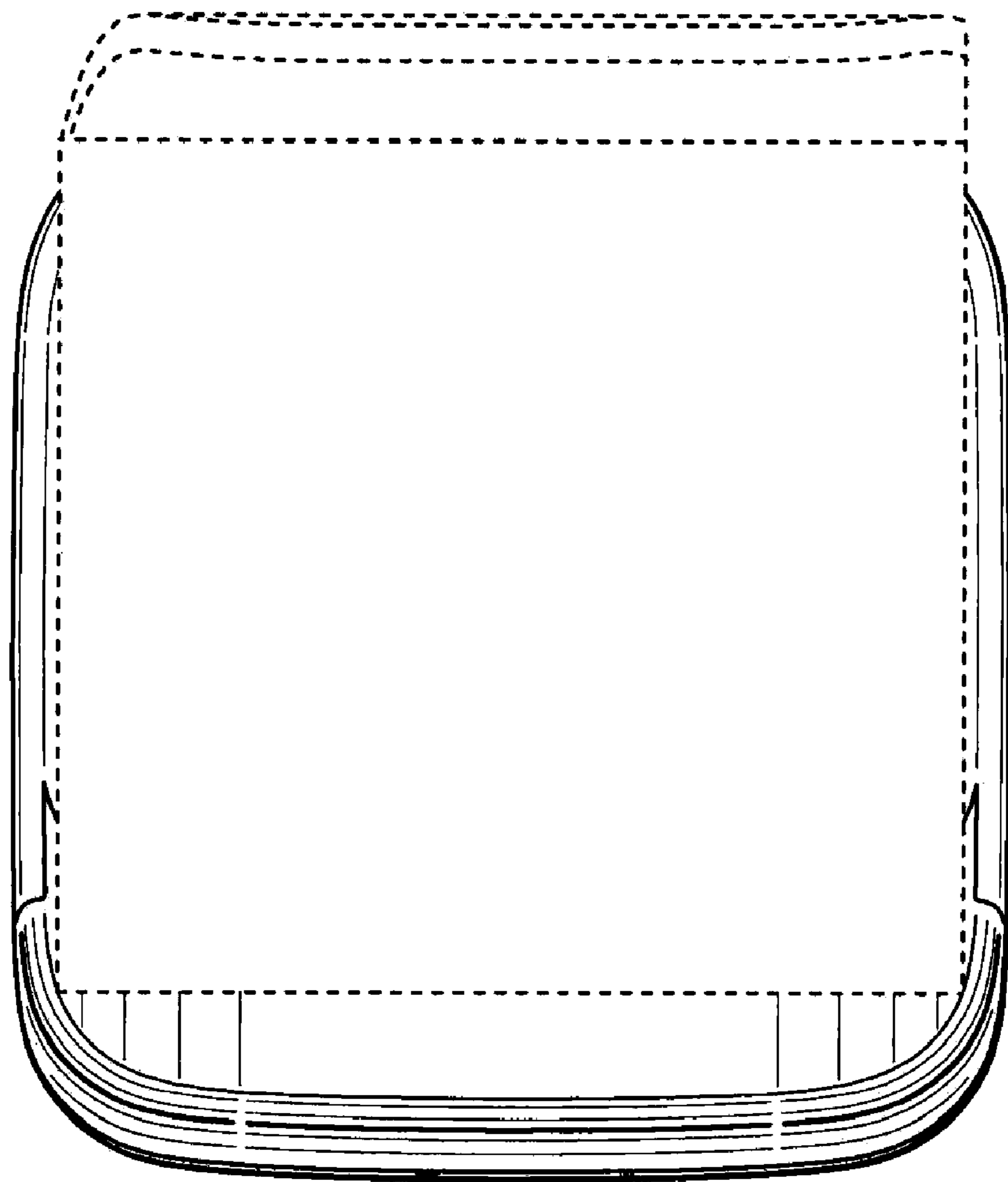


Fig. 4

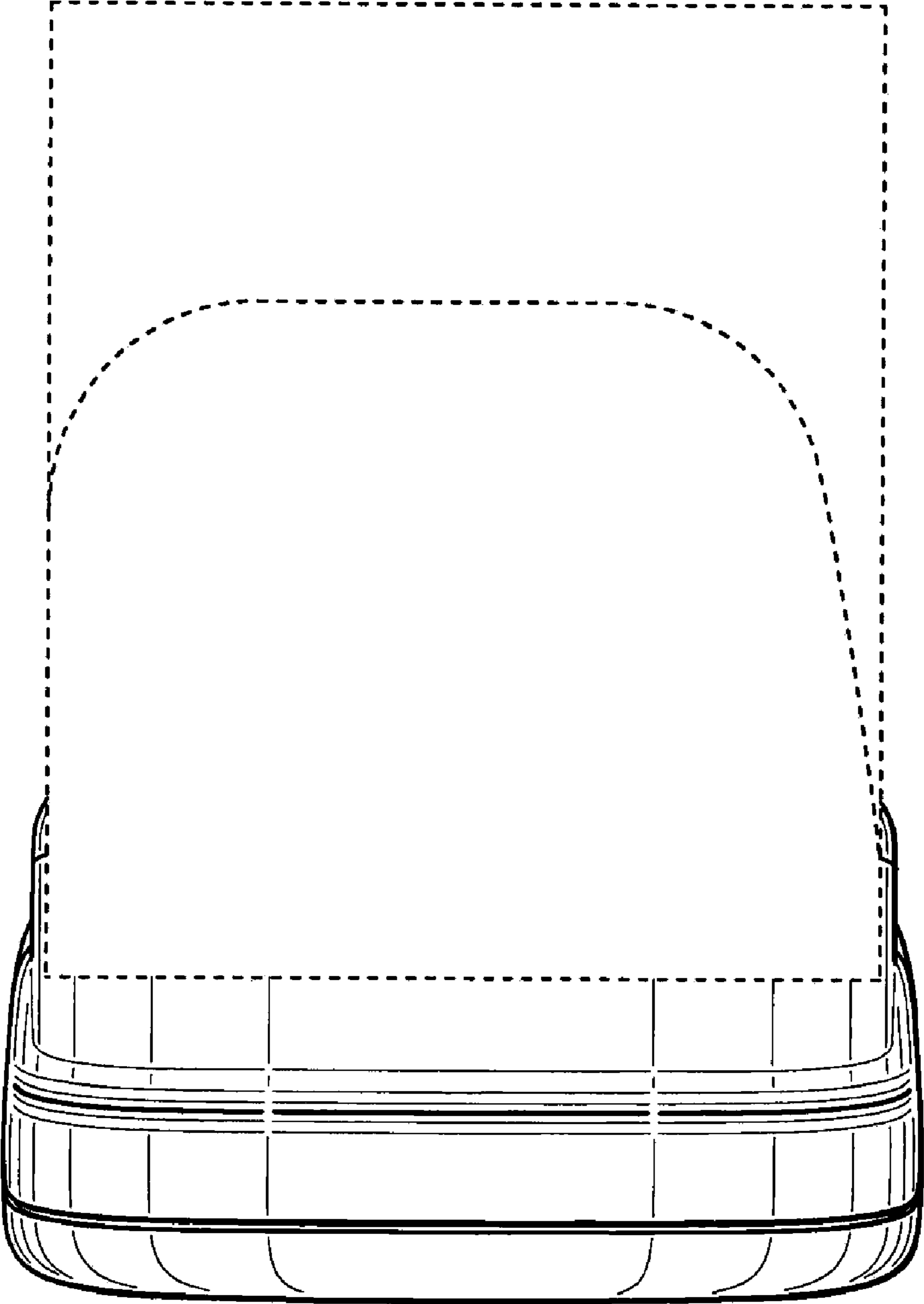


Fig. 5

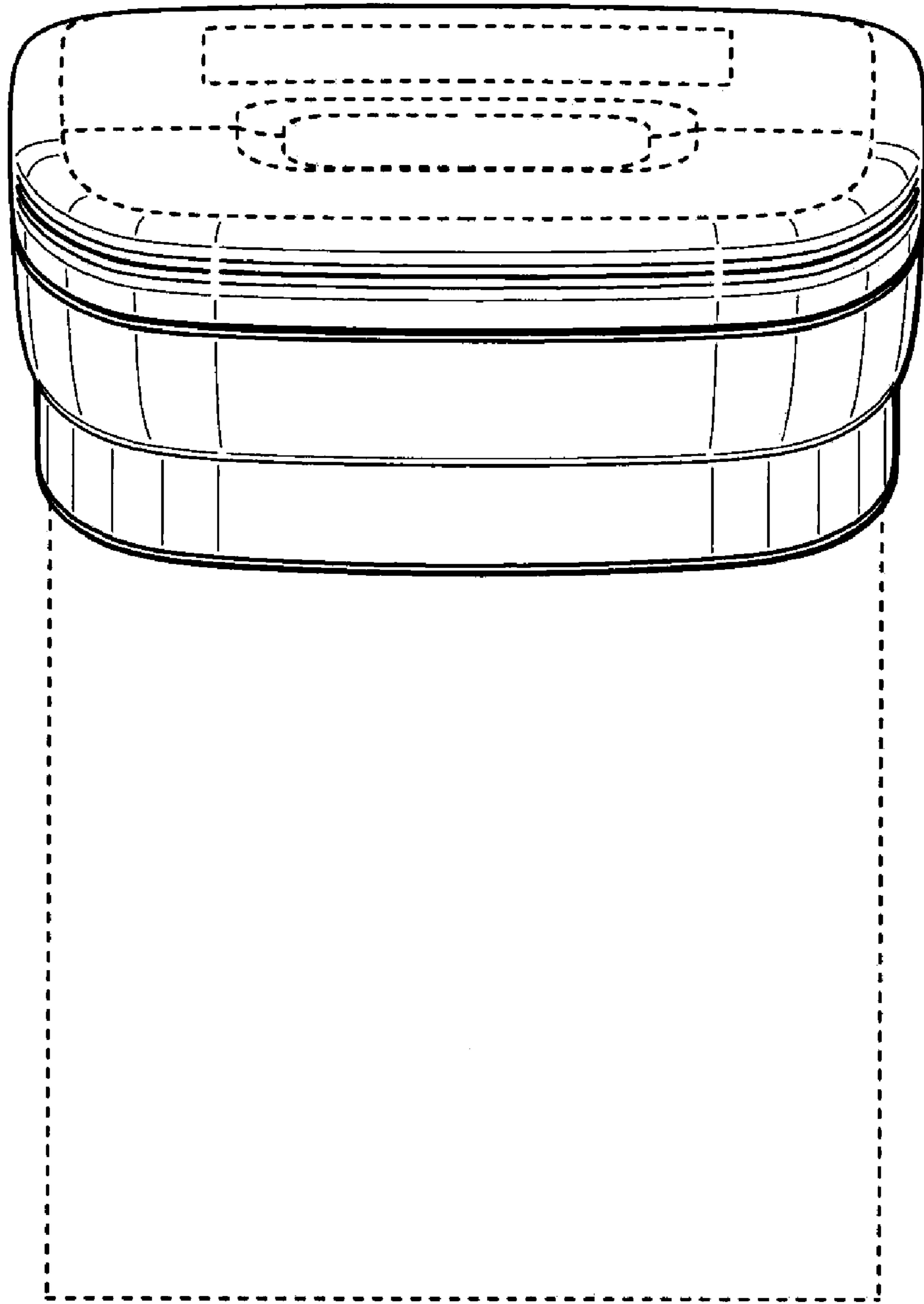


Fig. 6

