

US00D561339S

(12) **United States Design Patent**
Eda et al.

(10) **Patent No.: US D561,339 S**
(45) **Date of Patent: ** Feb. 5, 2008**

(54) **SPHYGMOMANOMETER**

D290,876 S * 7/1987 Arduini et al. D24/165

(75) Inventors: **Kenji Eda**, Osaka (JP); **Takahide Tanaka**, Shiga (JP); **Tetsuya Nakada**, Osaka (JP); **Takefumi Nakanishi**, Kyoto (JP); **Hiroya Nakanishi**, Kyoto (JP); **Tadashi Koike**, Kyoto (JP); **Chiaki Murata**, Osaka (JP)

(Continued)

Primary Examiner—Joel A. Sincavage
Assistant Examiner—Anhdao Doan
(74) *Attorney, Agent, or Firm*—Dickstein Shapiro LLP

(73) Assignee: **Omron Healthcare Co., Ltd.**, Kyoto (JP)

(57) **CLAIM**

The ornamental design for a sphygmomanometer, as shown and described.

(**) Term: **14 Years**

(21) Appl. No.: **29/258,488**

DESCRIPTION

(22) Filed: **Apr. 24, 2006**

Related U.S. Application Data

(62) Division of application No. 29/212,055, filed on Aug. 26, 2004, now Pat. No. Des. 530,012.

FIG. 1 is a perspective view of a sphygmomanometer showing our new design:

FIG. 2 is a front elevation view thereof;

FIG. 3 is a rear elevation view thereof;

FIG. 4 is a top plan view thereof;

FIG. 5 is a bottom plan view thereof;

FIG. 6 is a right side elevation view thereof;

FIG. 7 is a left side elevation view thereof;

FIG. 8 is a sectional view thereof taken along line 8—8 of FIG. 2;

FIG. 9 is a perspective view thereof with an armband shown in an opened position;

FIG. 10 is a front elevation view thereof;

FIG. 11 is a rear elevation view thereof;

FIG. 12 is a top plan view thereof;

FIG. 13 is a bottom view thereof;

FIG. 14 is a right side elevation view thereof;

FIG. 15 is a left side elevation view thereof; and,

FIG. 16 is a sectional view thereof taken along line 16—16 of FIG. 14.

The broken lines shown in FIGS. 1—16 are for illustrative purposes only and form no part of the claimed design.

(30) **Foreign Application Priority Data**

Feb. 27, 2004	(JP)	D2004-5957
Feb. 27, 2004	(JP)	D2004-5958
Feb. 27, 2004	(JP)	D2004-5959
Feb. 27, 2004	(JP)	D2004-5960
Feb. 27, 2004	(JP)	D2004-5961
Feb. 27, 2004	(JP)	D2004-5962

(51) **LOC (8) Cl.** **24-02**

(52) **U.S. Cl.** **D24/164**

(58) **Field of Classification Search** D24/165,
D24/186; 600/480, 485, 490—492, 494, 495,
600/499

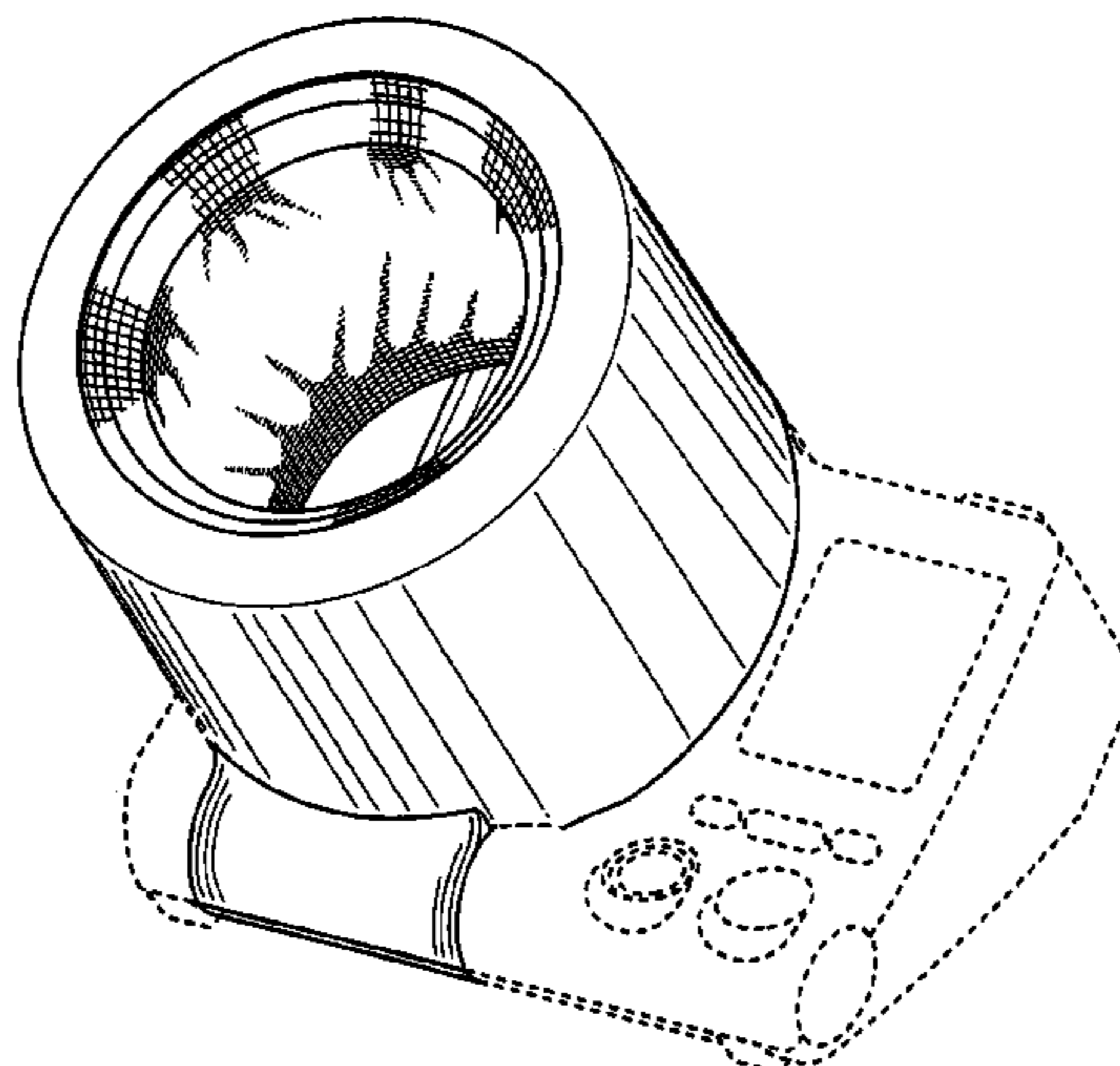
See application file for complete search history.

(56) **References Cited**

U.S. PATENT DOCUMENTS

3,935,984	A *	2/1976	Lichowsky et al.	600/499
D244,235	S *	5/1977	Lichowsky	D24/165
4,058,117	A *	11/1977	Kaspari et al.	600/495
D254,629	S *	4/1980	Yen	D24/165

1 Claim, 16 Drawing Sheets



US D561,339 S

Page 2

U.S. PATENT DOCUMENTS

D341,658 S *	11/1993	Kojima	D24/165	6,714,814 B2	3/2004	Yamada et al.	
5,511,551 A *	4/1996	Sano et al.	600/499	6,726,633 B2 *	4/2004	Kitagawa	600/499
6,213,953 B1 *	4/2001	Reeves	600/499	2004/0193062 A1	9/2004	Hashimoto et al.	

* cited by examiner

Fig. 1

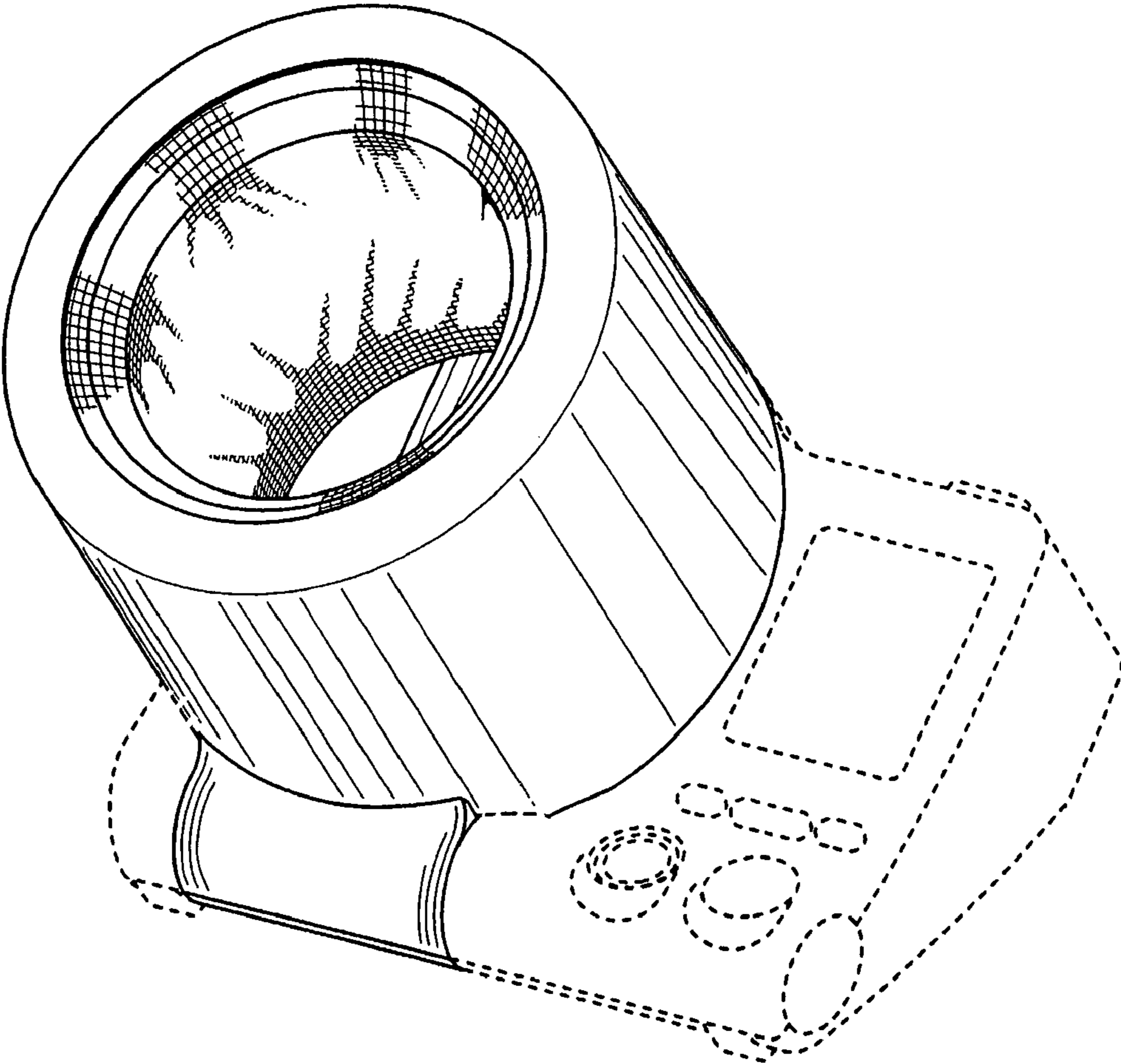


Fig. 2

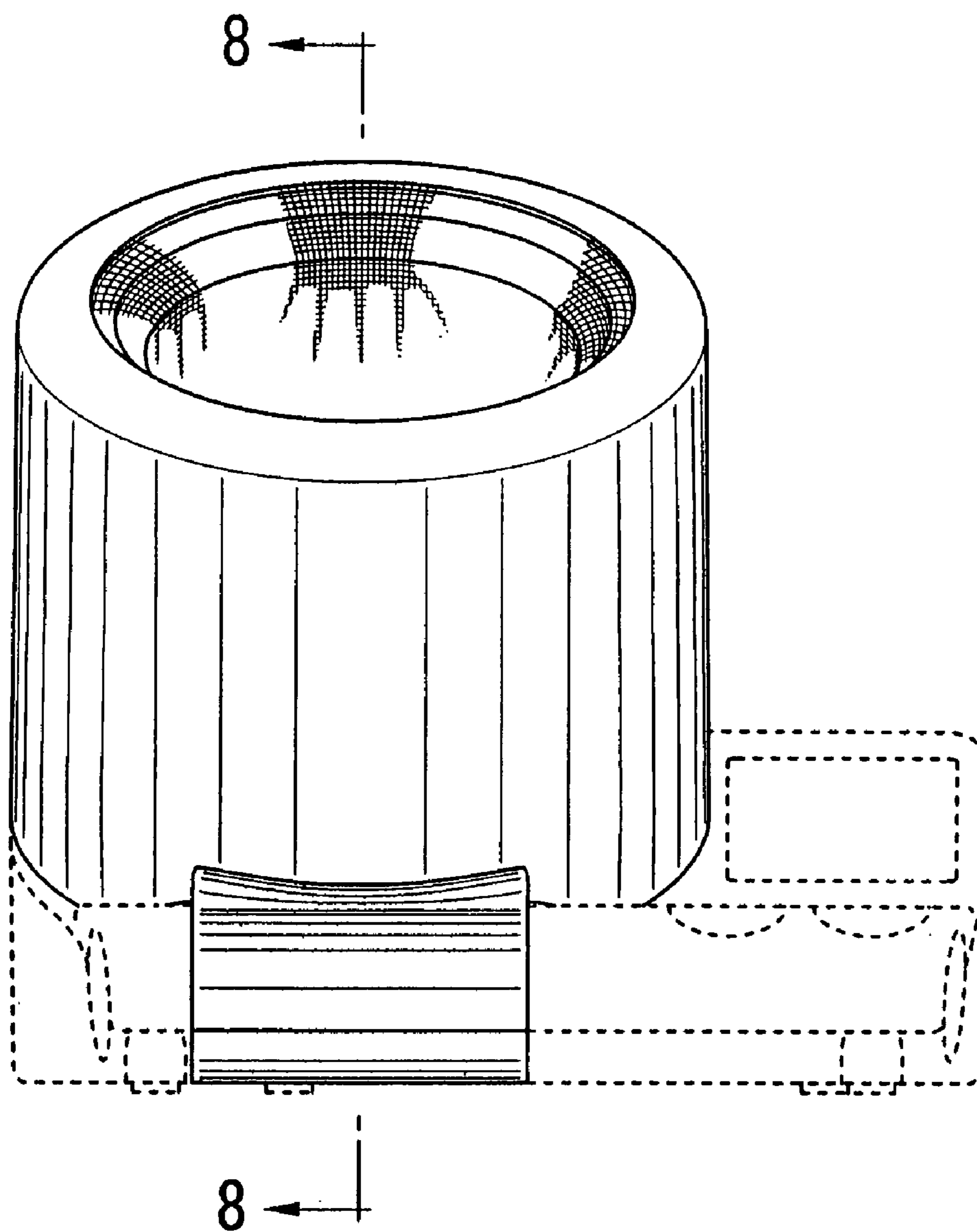


Fig. 3

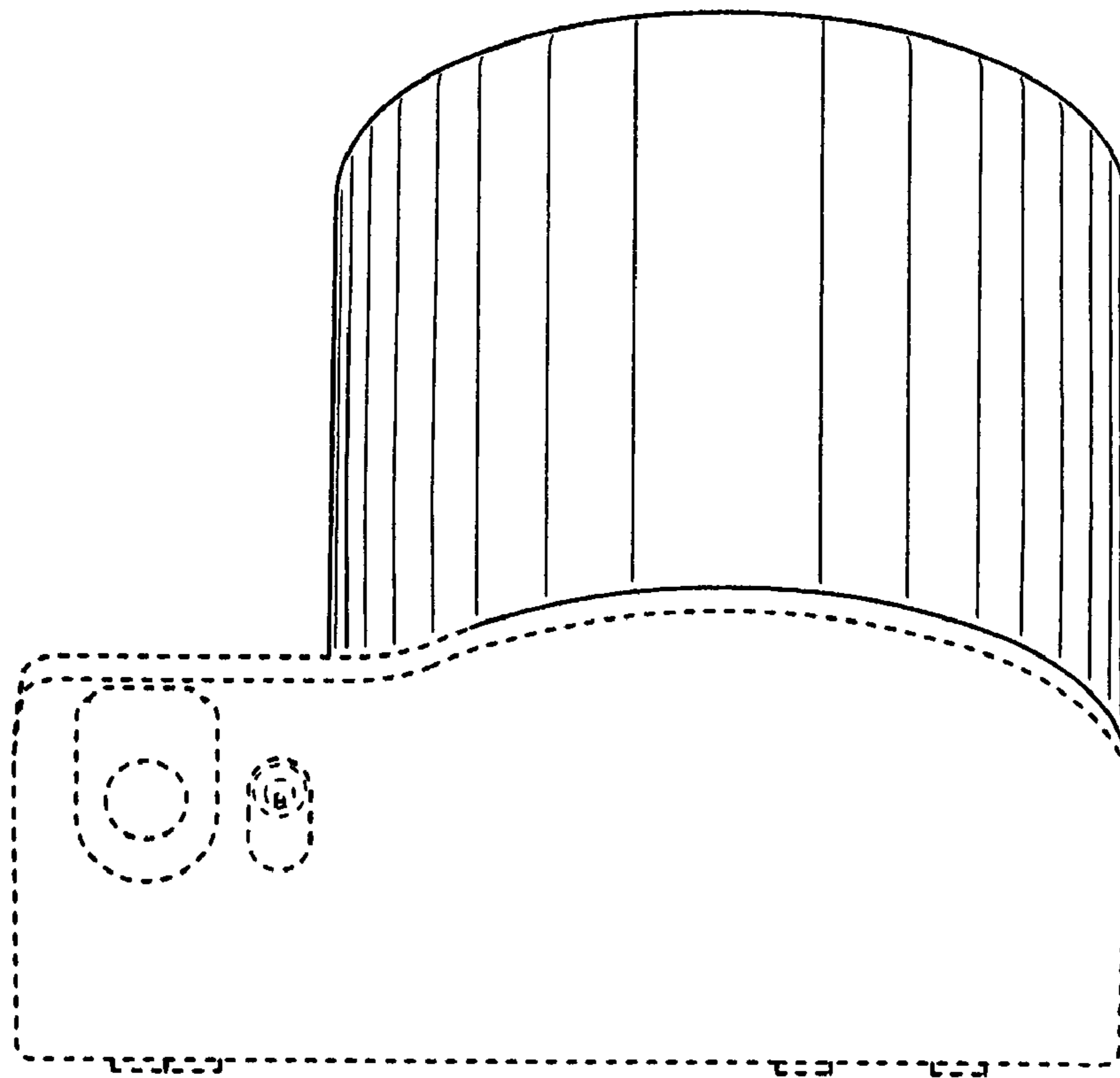


Fig. 4

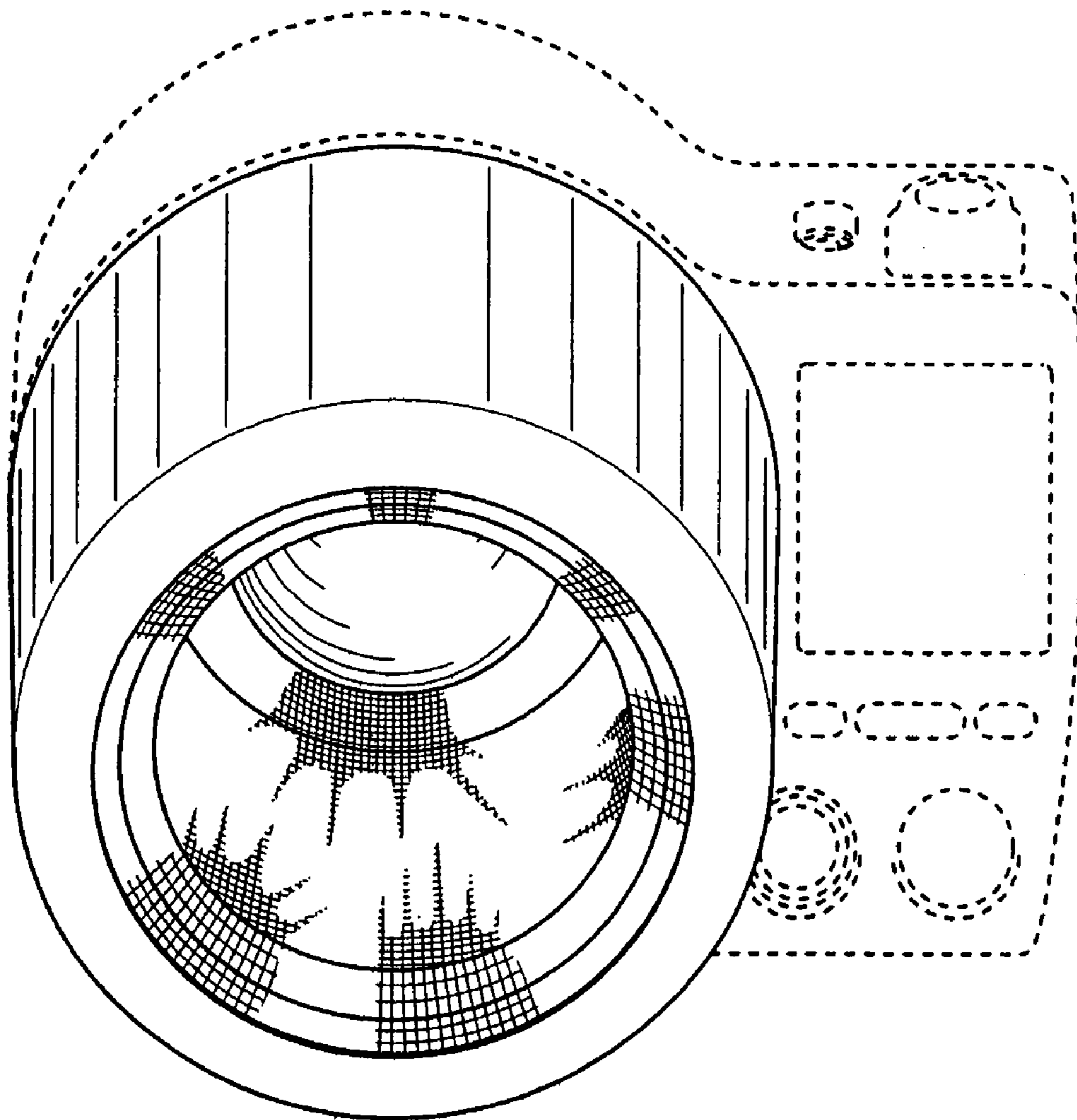


Fig. 5

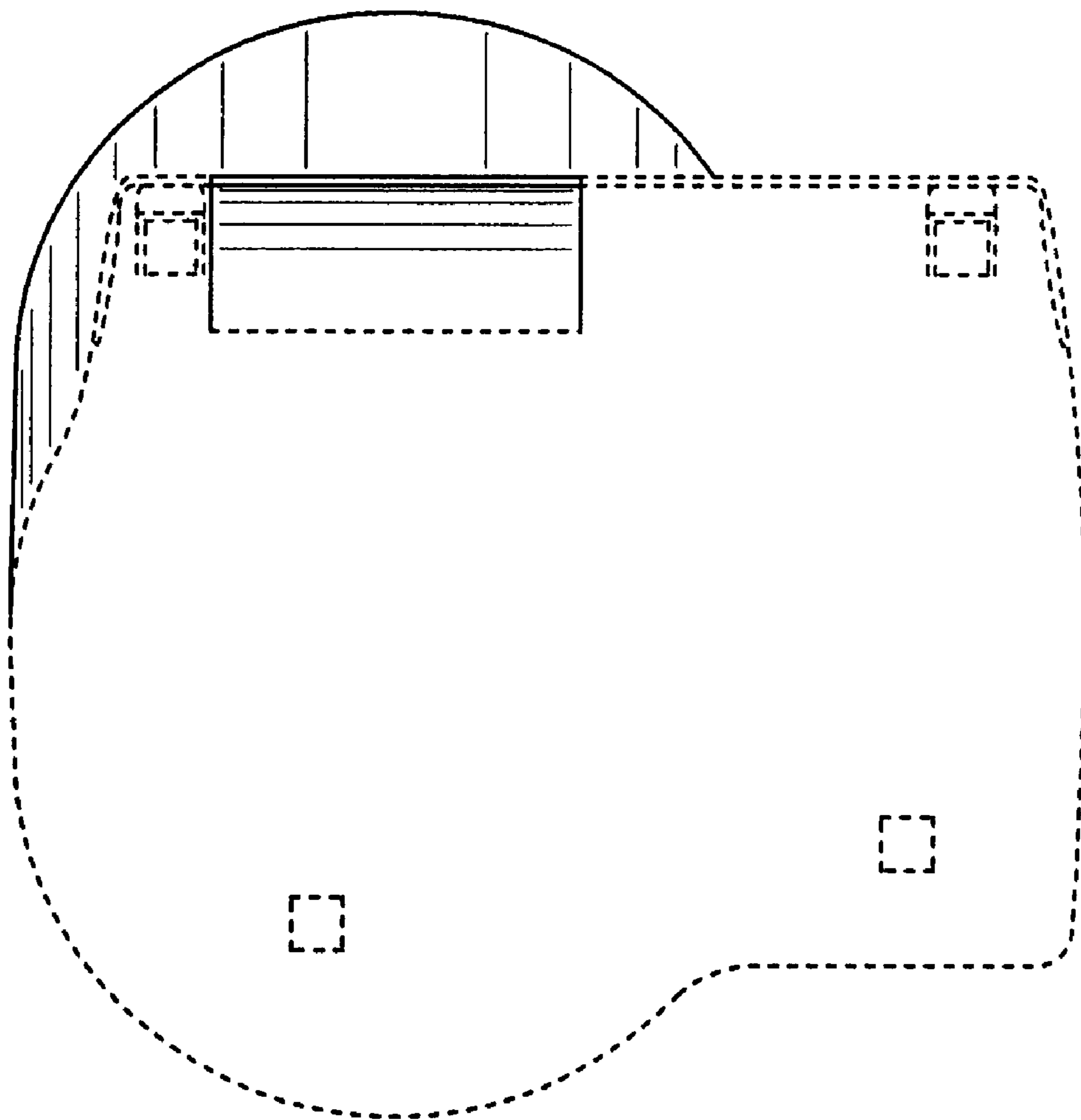


Fig. 6

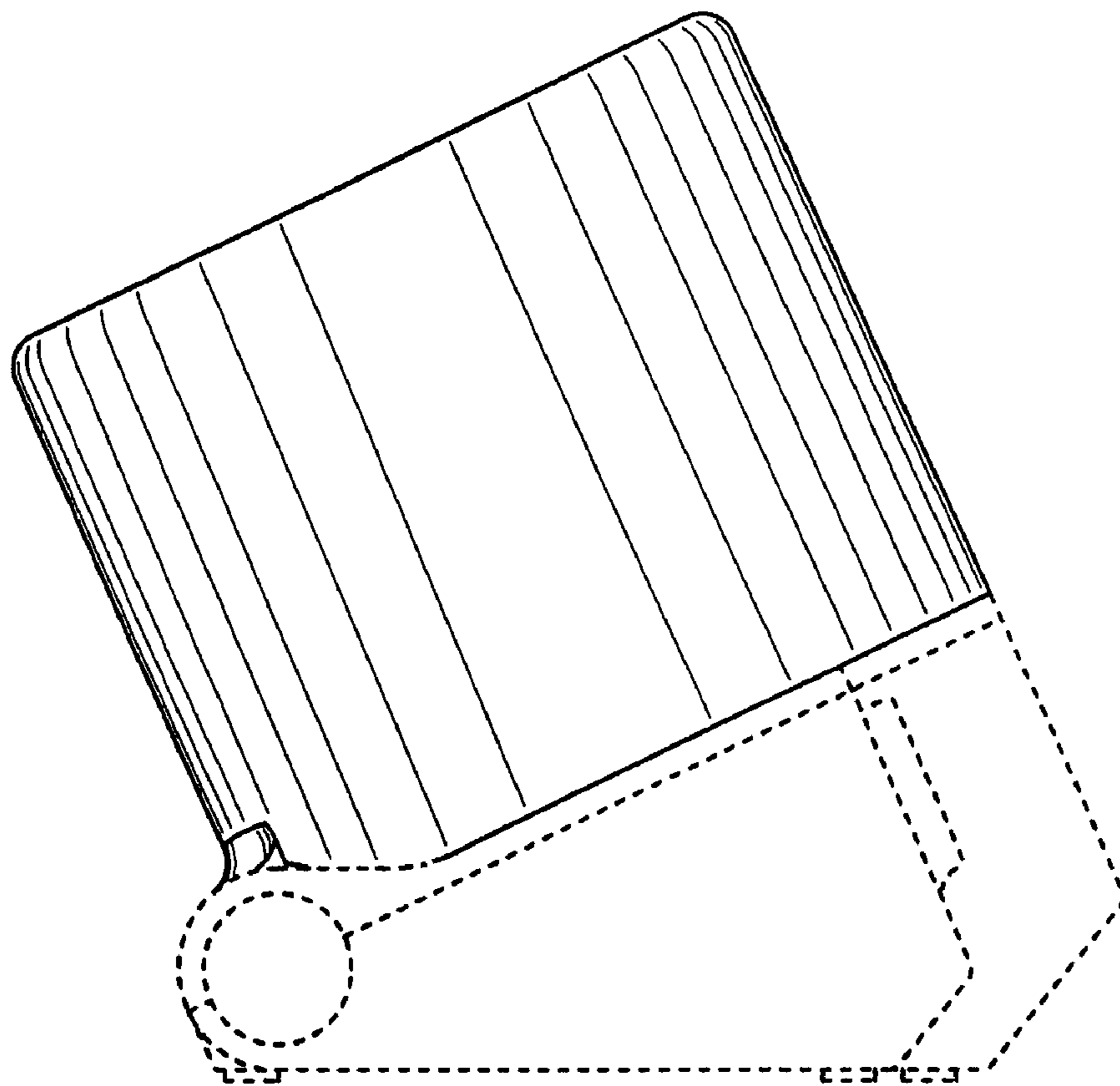


Fig. 7

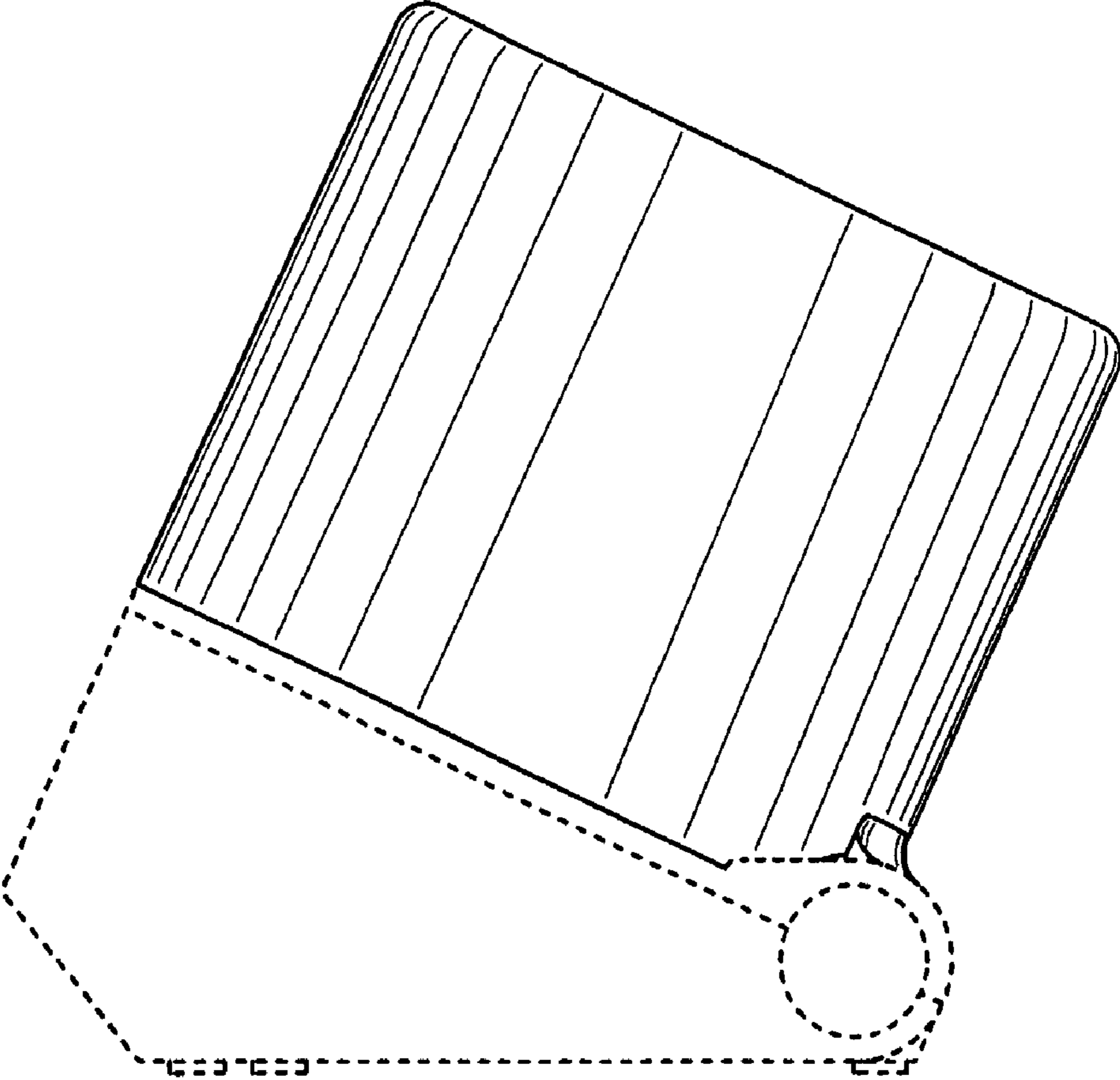


Fig. 8

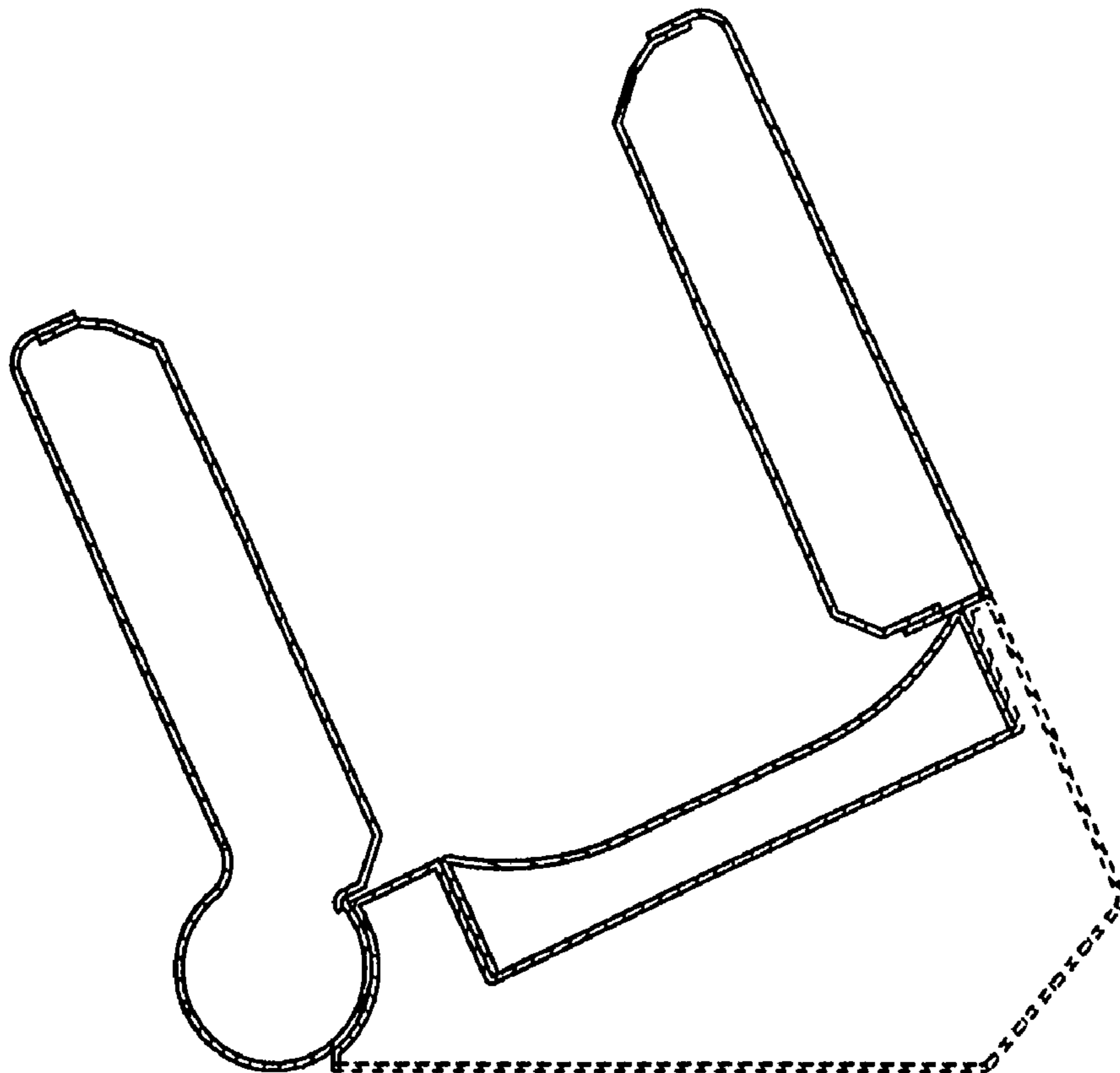


Fig. 9

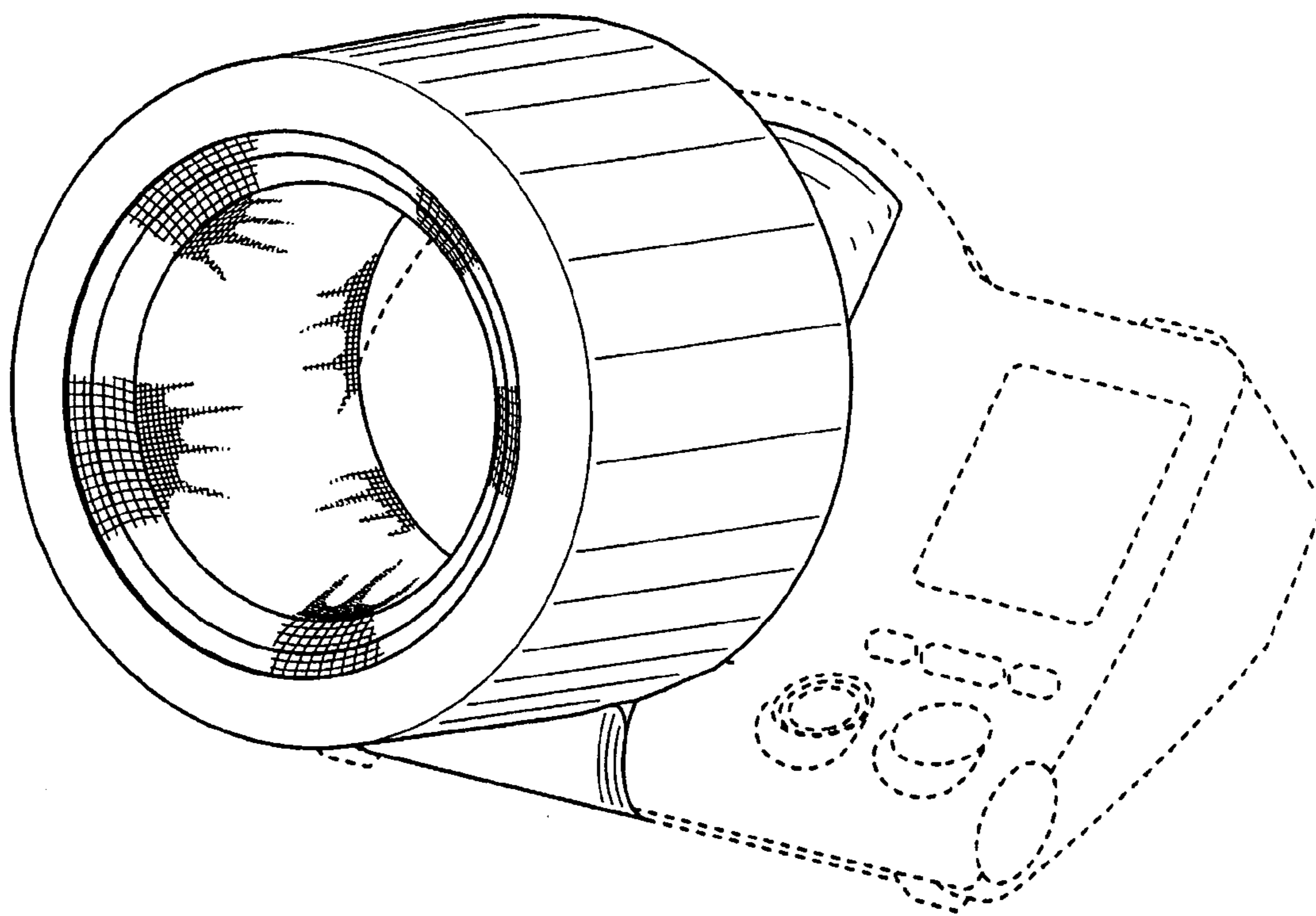


Fig. 10

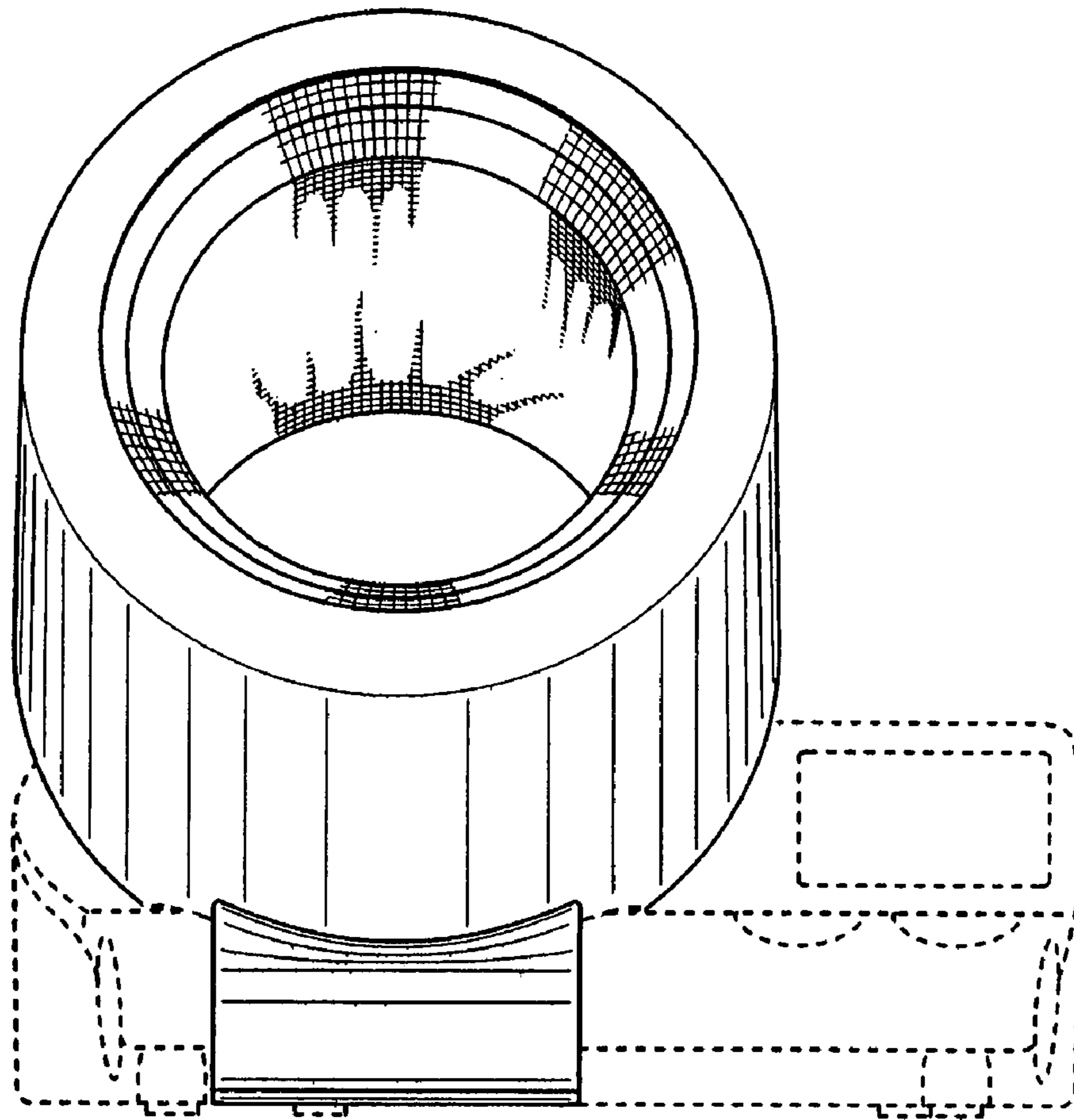


Fig. 11

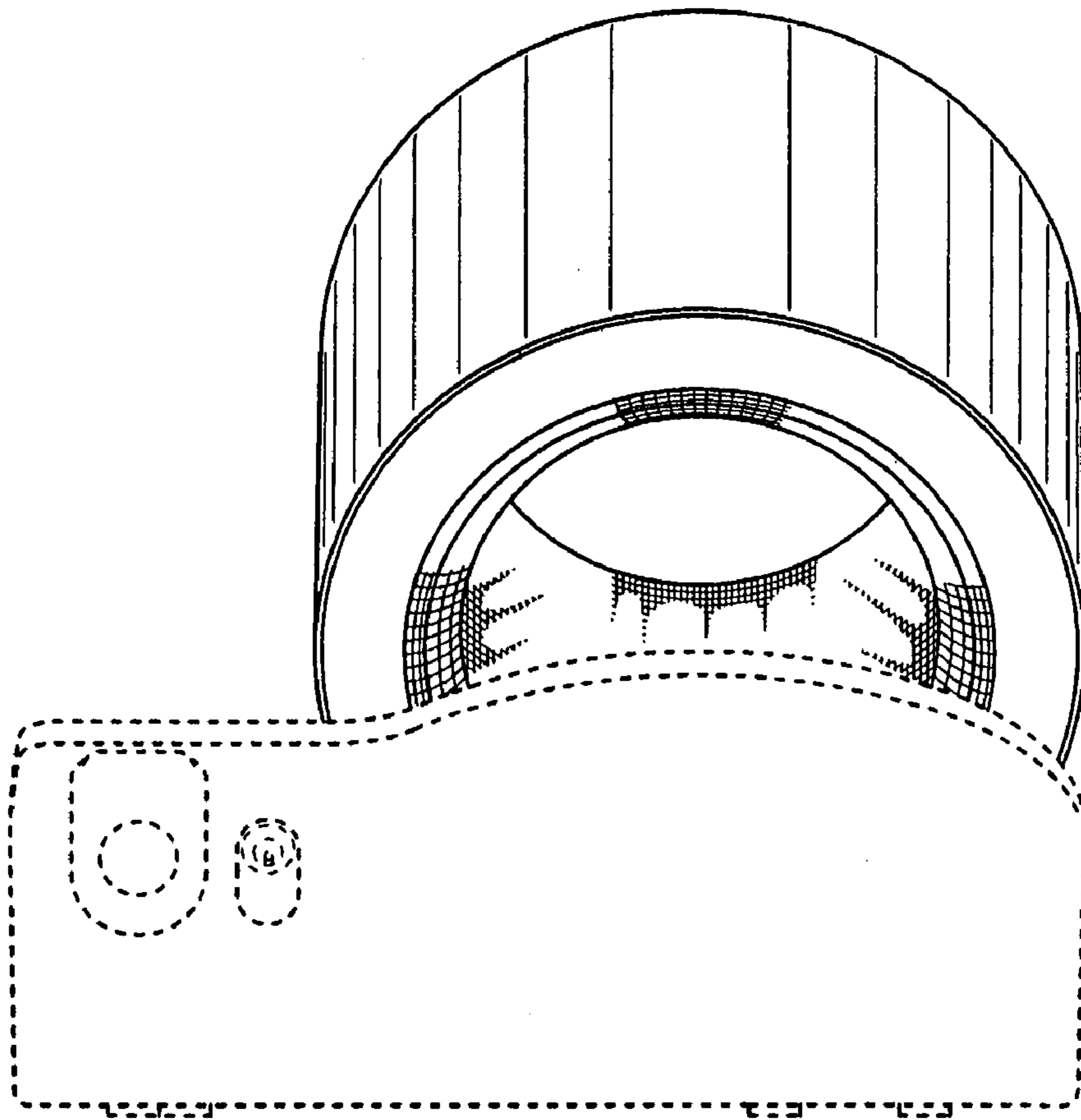


Fig. 12

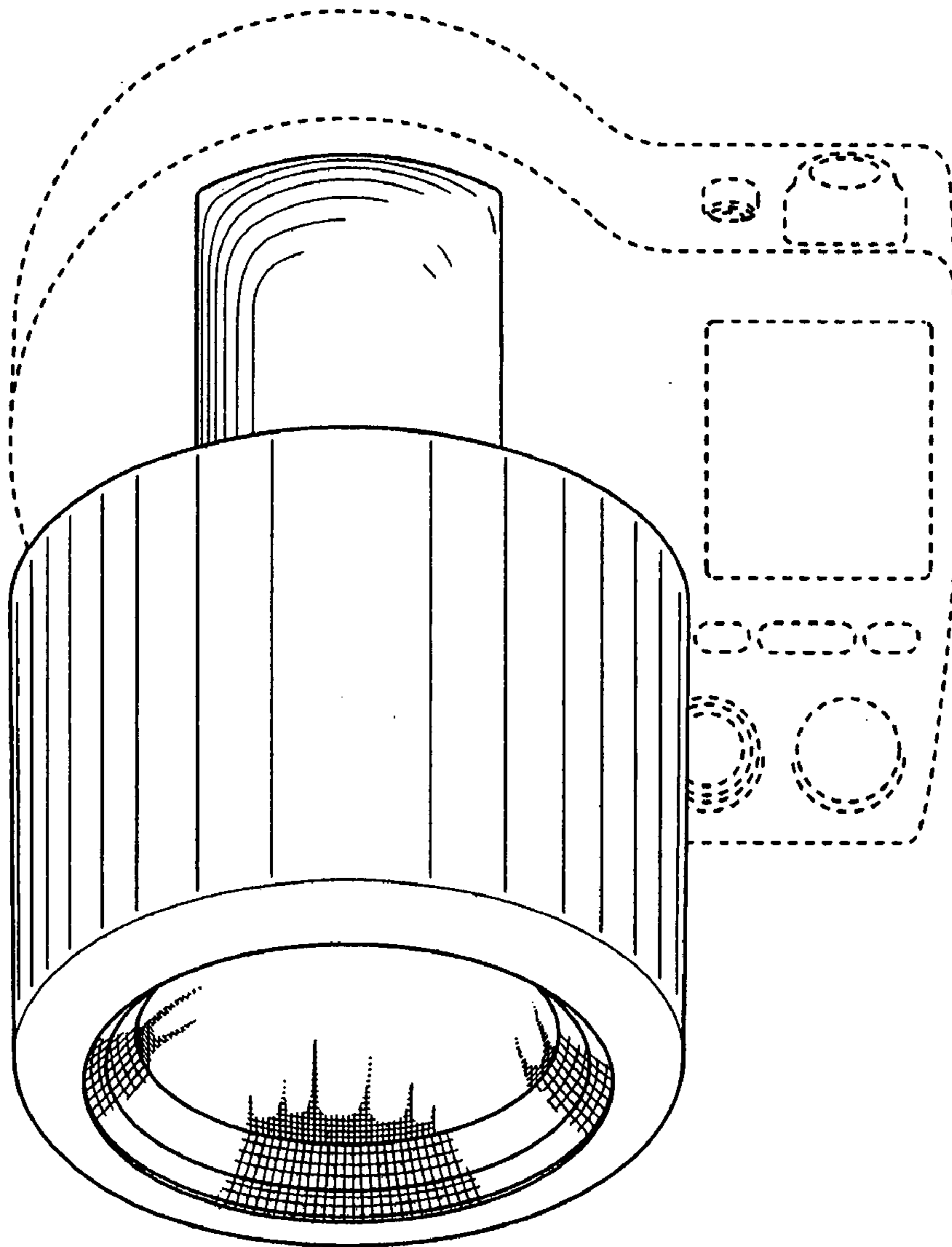


Fig. 13

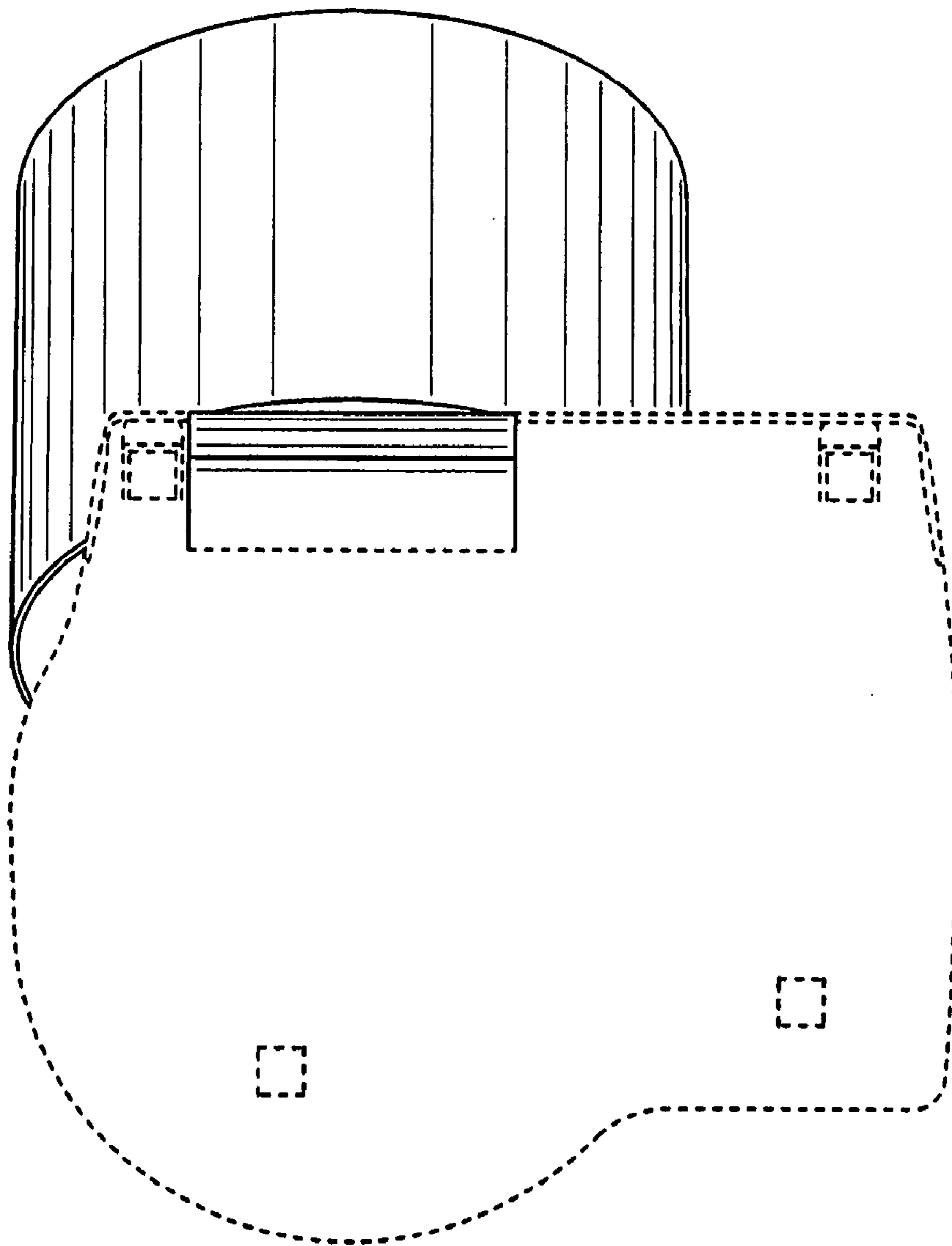


Fig. 14

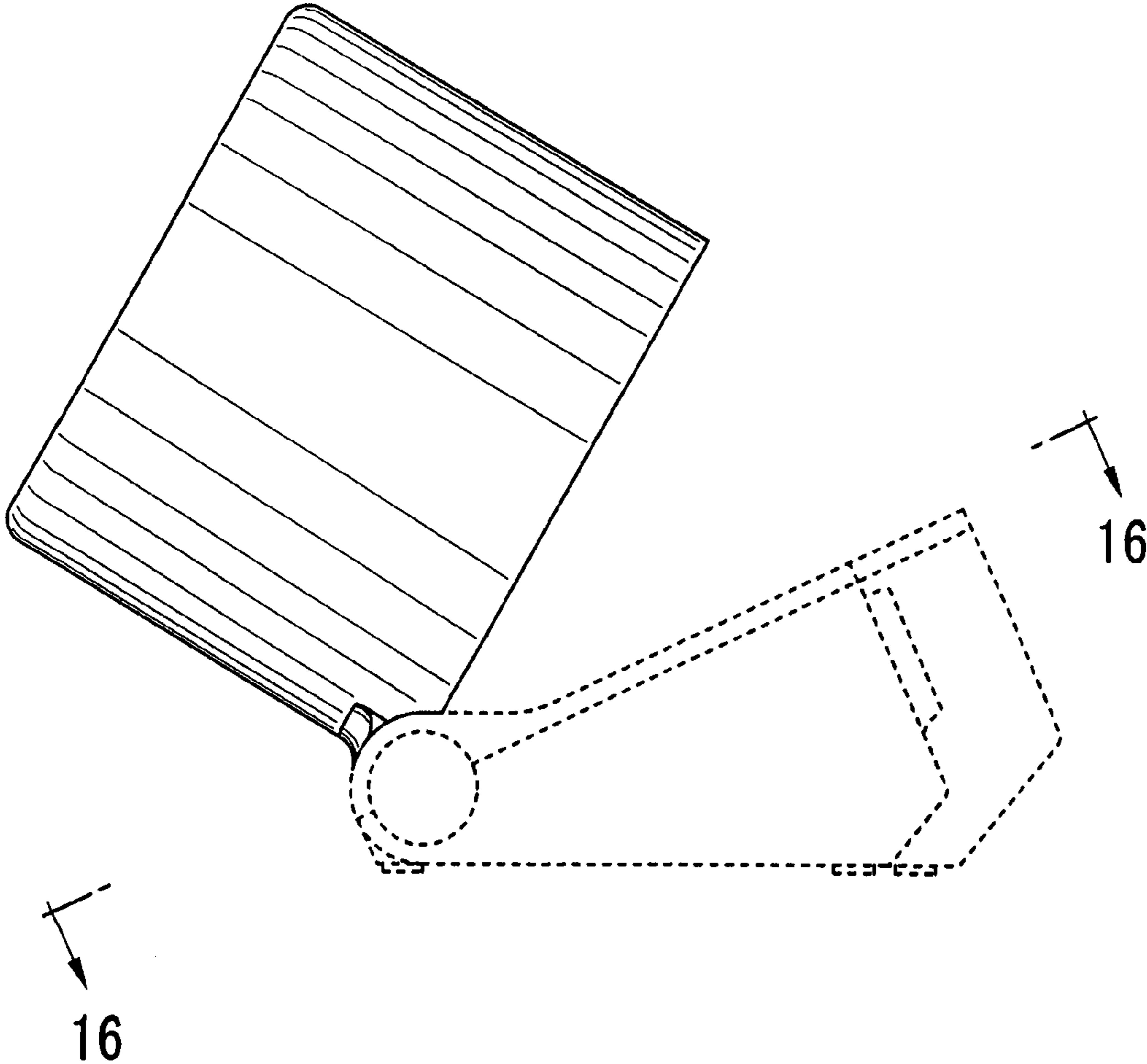


Fig. 15

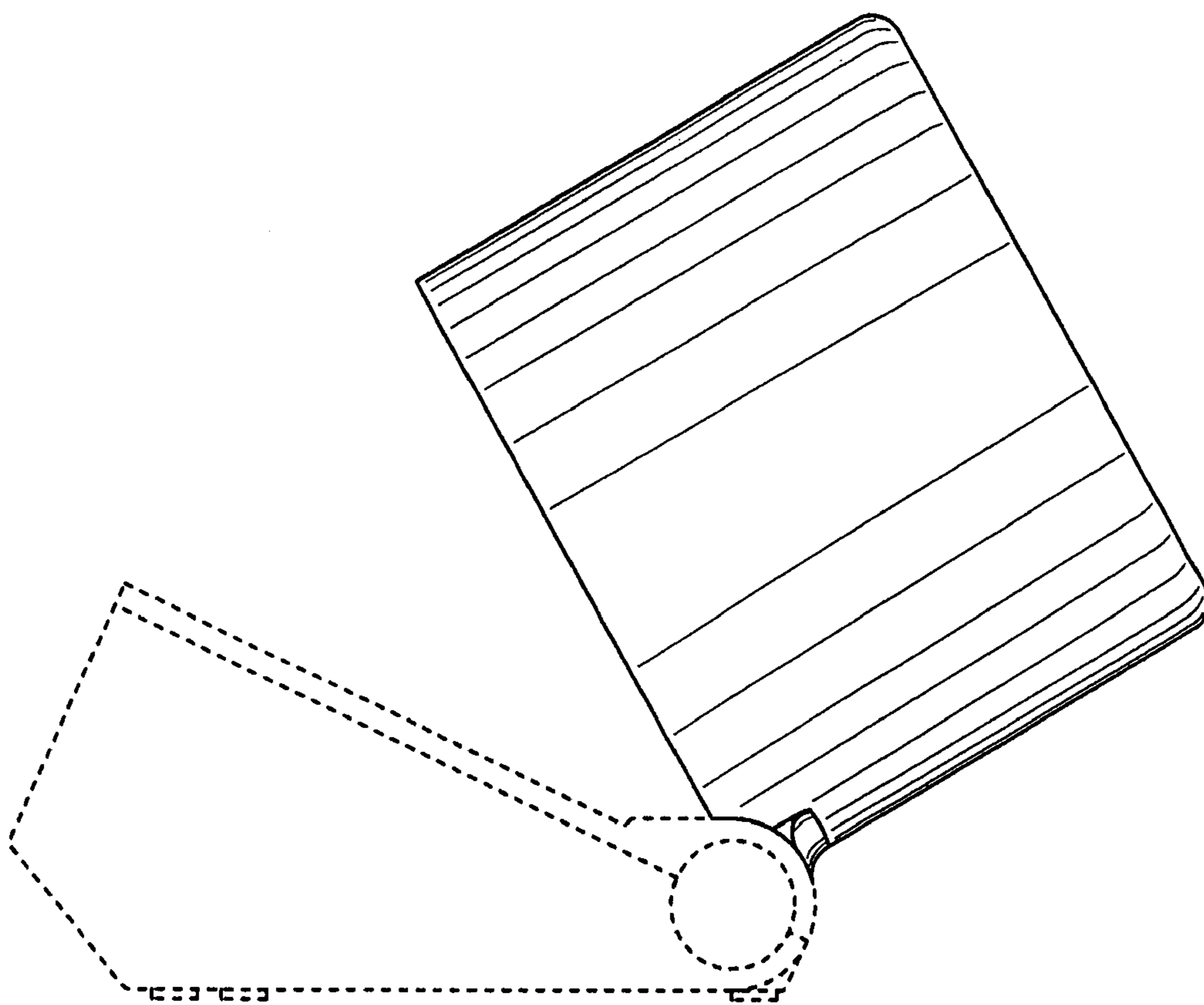


Fig. 16

