



US00D561338S

(12) **United States Design Patent**  
**Blanco**

(10) **Patent No.:** **US D561,338 S**  
(45) **Date of Patent:** **\*\* Feb. 5, 2008**

(54) **TROCAR AND TROCAR ACTUATION MECHANISM**  
(75) Inventor: **Ernesto E. Blanco**, Belmont, MA (US)  
(73) Assignee: **Erblan Surgical, Inc.**, Belmont, MA (US)

4,556,059 A 12/1985 Adamson, Jr.  
4,601,710 A 7/1986 Moll  
4,654,030 A 3/1987 Moll et al.  
4,747,831 A 5/1988 Kulli  
4,808,168 A 2/1989 Warring  
4,813,426 A 3/1989 Haber et al.

(Continued)

(\*\*) Term: **14 Years**  
(21) Appl. No.: **29/218,540**  
(22) Filed: **Dec. 6, 2004**

FOREIGN PATENT DOCUMENTS

EP 1356386 6/1970

(Continued)

(51) **LOC (8) Cl.** ..... **24-02**  
(52) **U.S. Cl.** ..... **D24/146**  
(58) **Field of Classification Search** ..... D24/146,  
D24/147, 112, 130; 606/184, 195, 190, 167,  
606/170; 604/170.01, 170.02, 164.01, 164.02,  
604/164.07

*Primary Examiner*—Ian Simmons  
*Assistant Examiner*—Christopher Lee  
(74) *Attorney, Agent, or Firm*—Oblon, Spivak, McClelland,  
Maier & Neustadt, P.C.

See application file for complete search history.

(57) **CLAIM**

The ornamental design for a trocar and trocar actuation mechanism, as shown and described.

(56) **References Cited**

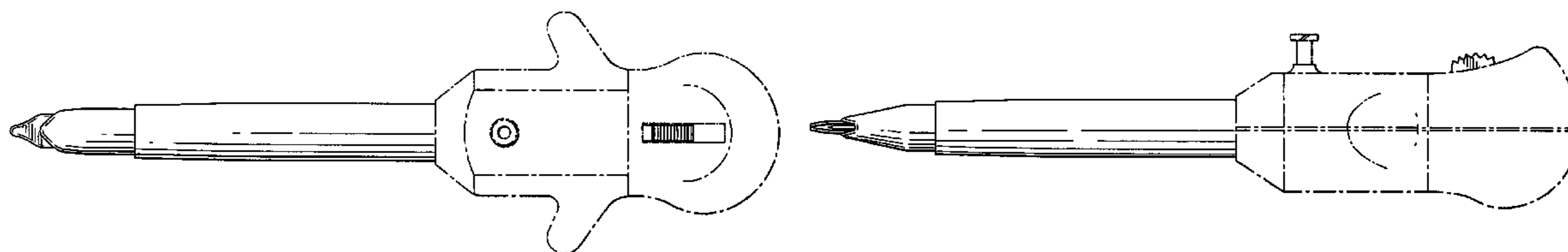
U.S. PATENT DOCUMENTS

1,527,291 A 2/1925 Zorraquin  
2,623,521 A 12/1952 Shaw  
2,630,803 A 3/1953 Baran  
3,039,468 A 8/1962 Price  
3,090,384 A 5/1963 Baldwin et al.  
3,713,447 A 1/1973 Adair  
3,774,604 A 11/1973 Danielsson  
3,789,852 A 2/1974 Kim et al.  
3,915,167 A \* 10/1975 Waterman ..... 604/250  
4,168,699 A 9/1979 Hauser  
4,177,814 A 12/1979 Knepshield et al.  
4,403,617 A 9/1983 Tretinyak  
4,431,426 A 2/1984 Groshong et al.  
4,491,132 A 1/1985 Aikins  
4,535,773 A 8/1985 Yoon

**DESCRIPTION**

FIG. 1 is a top plan view of a trocar and trocar actuation mechanism, showing my design;  
FIG. 2 is a front elevational view thereof; the rear elevational view being a mirror image of the front view shown;  
FIG. 3 is a right side elevational view thereof;  
FIG. 4 is a left side elevational view thereof;  
FIG. 5 is a bottom plan view thereof; and,  
FIG. 6 is a top left rear perspective view.  
The phantom line showing in the drawings is for illustrative purposes only and forms no part of the claimed design.

**1 Claim, 3 Drawing Sheets**



# US D561,338 S

## U.S. PATENT DOCUMENTS

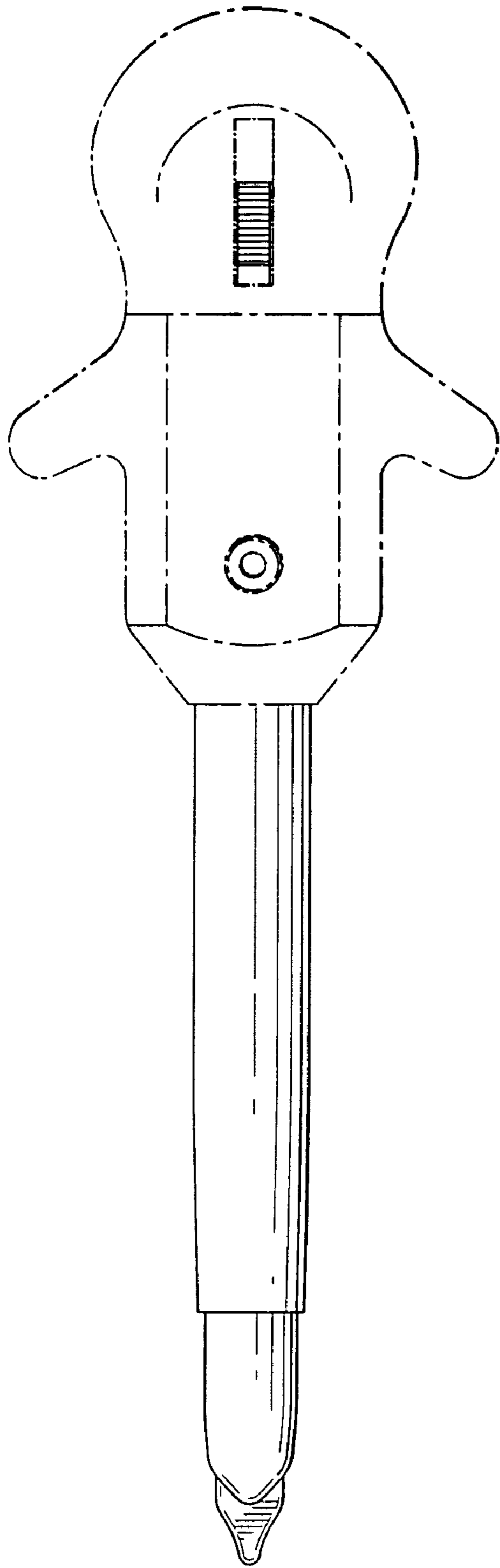
4,878,897 A 11/1989 Katzin  
 4,902,280 A 2/1990 Lander  
 4,906,236 A 3/1990 Alberts et al.  
 4,922,602 A 5/1990 Mehl  
 4,931,042 A 6/1990 Holmes et al.  
 4,952,207 A 8/1990 Lemieux  
 5,030,206 A 7/1991 Lander  
 5,066,288 A 11/1991 Deniega et al.  
 5,104,382 A 4/1992 Brinkerhoff et al.  
 5,114,407 A 5/1992 Burbank  
 5,116,353 A 5/1992 Green  
 5,147,316 A \* 9/1992 Castillenti ..... 604/164.04  
 5,152,754 A 10/1992 Plyley et al.  
 5,209,737 A 5/1993 Ritchart et al.  
 5,248,298 A 9/1993 Bedi et al.  
 5,256,149 A \* 10/1993 Banik et al. .... 604/164.01  
 5,295,993 A 3/1994 Green  
 5,318,580 A 6/1994 Gresl, Jr.  
 5,318,585 A 6/1994 Guy et al.  
 5,320,610 A 6/1994 Yoon  
 5,324,268 A 6/1994 Yoon  
 5,324,280 A 6/1994 Wong et al.  
 D349,574 S \* 8/1994 Metcalf et al. .... D24/146  
 5,364,372 A 11/1994 Danks et al.  
 5,372,588 A 12/1994 Farley et al.  
 5,385,553 A 1/1995 Hart et al.  
 5,387,197 A 2/1995 Smith et al.  
 5,391,153 A 2/1995 Haber et al.  
 5,399,167 A 3/1995 Deniega  
 5,411,515 A 5/1995 Haber et al.  
 5,417,705 A 5/1995 Haber et al.  
 D362,066 S 9/1995 Petruschke et al.  
 D364,924 S 12/1995 Medema  
 5,478,317 A 12/1995 Yoon  
 5,486,190 A 1/1996 Green  
 5,522,833 A 6/1996 Stephens et al.  
 5,536,256 A 7/1996 Yoon  
 5,538,509 A 7/1996 Dunlap et al.  
 5,545,150 A 8/1996 Danks et al.  
 5,569,160 A 10/1996 Sauer et al.  
 5,569,293 A 10/1996 Yoon  
 5,584,850 A 12/1996 Hart et al.  
 5,591,193 A 1/1997 Yoon  
 5,607,396 A 3/1997 Yoon  
 5,607,440 A 3/1997 Danks et al.  
 5,609,604 A 3/1997 Schwemberger et al.  
 5,618,271 A 4/1997 Yoon  
 5,618,297 A 4/1997 Hart et al.  
 5,620,456 A 4/1997 Sauer et al.  
 5,624,459 A 4/1997 Kortebach et al.  
 5,628,732 A 5/1997 Antoon, Jr. et al.  
 5,634,934 A 6/1997 Yoon

5,645,076 A 7/1997 Yoon  
 5,665,102 A 9/1997 Yoon  
 5,669,885 A 9/1997 Smith  
 5,676,156 A 10/1997 Yoon  
 5,676,682 A 10/1997 Yoon  
 5,690,663 A 11/1997 Stephens  
 5,709,671 A 1/1998 Stephens et al.  
 5,776,112 A 7/1998 Stephens et al.  
 5,797,943 A 8/1998 Danks et al.  
 5,807,338 A 9/1998 Smith et al.  
 5,810,866 A 9/1998 Yoon  
 5,865,812 A 2/1999 Correia  
 5,868,773 A 2/1999 Danks et al.  
 5,878,501 A 3/1999 Owens et al.  
 5,882,340 A 3/1999 Yoon  
 5,904,699 A 5/1999 Schwemberger et al.  
 5,916,232 A \* 6/1999 Hart ..... 606/185  
 5,941,852 A 8/1999 Dunlap et al.  
 5,984,941 A 11/1999 Wilson et al.  
 5,997,510 A 12/1999 Schwemberger  
 6,017,328 A 1/2000 Fischell et al.  
 6,017,356 A 1/2000 Frederick et al.  
 6,030,402 A 2/2000 Thompson et al.  
 6,063,099 A 5/2000 Danks et al.  
 6,238,407 B1 5/2001 Wolf et al.  
 D443,360 S 6/2001 Haberland  
 6,319,266 B1 11/2001 Stellon et al.  
 6,497,687 B1 12/2002 Blanco  
 6,497,716 B1 12/2002 Green et al.  
 6,595,955 B2 7/2003 Ferguson et al.  
 6,716,201 B2 4/2004 Blanco  
 6,719,746 B2 4/2004 Blanco  
 D497,669 S 10/2004 Blanco  
 D499,484 S 12/2004 Blanco  
 D518,177 S \* 3/2006 Blanco ..... D24/146  
 D531,726 S \* 11/2006 Blanco et al. .... D24/146  
 2001/0029387 A1 10/2001 Wolf et al.  
 2002/0161387 A1 10/2002 Blanco  
 2003/0060770 A1 3/2003 Wing et al.  
 2004/0078003 A1 4/2004 Smith et al.  
 2005/0065541 A1 3/2005 Abidin et al.  
 2005/0070943 A1 3/2005 Hueil et al.  
 2005/0070946 A1 3/2005 Franer et al.  
 2005/0070947 A1 3/2005 Franer et al.

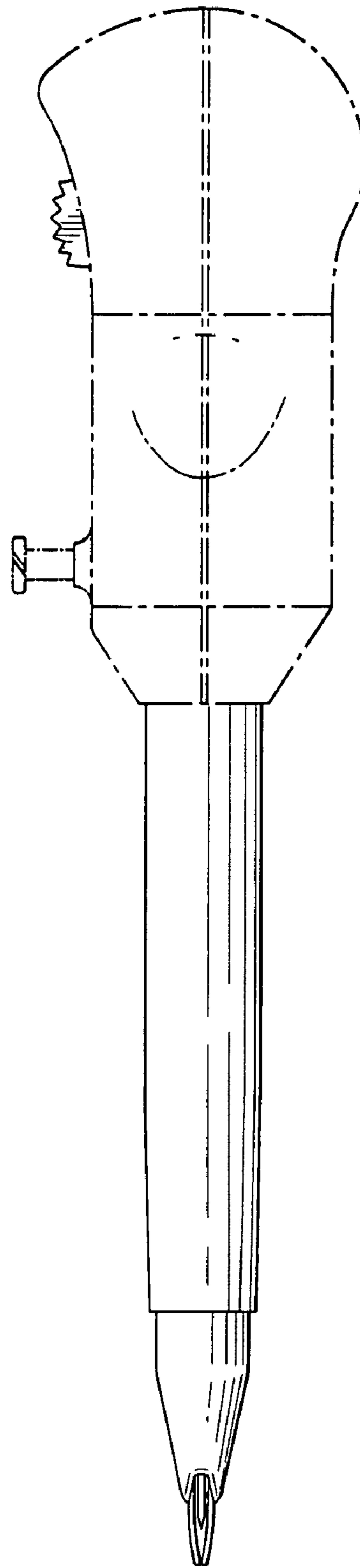
## FOREIGN PATENT DOCUMENTS

RU 54399 4/2004  
 SU 921554 4/1982  
 WO WO 00/54648 9/2000  
 WO WO 00/78387 12/2000  
 WO WO 02/28295 4/2002

\* cited by examiner



*FIG. 1*



*FIG. 2*

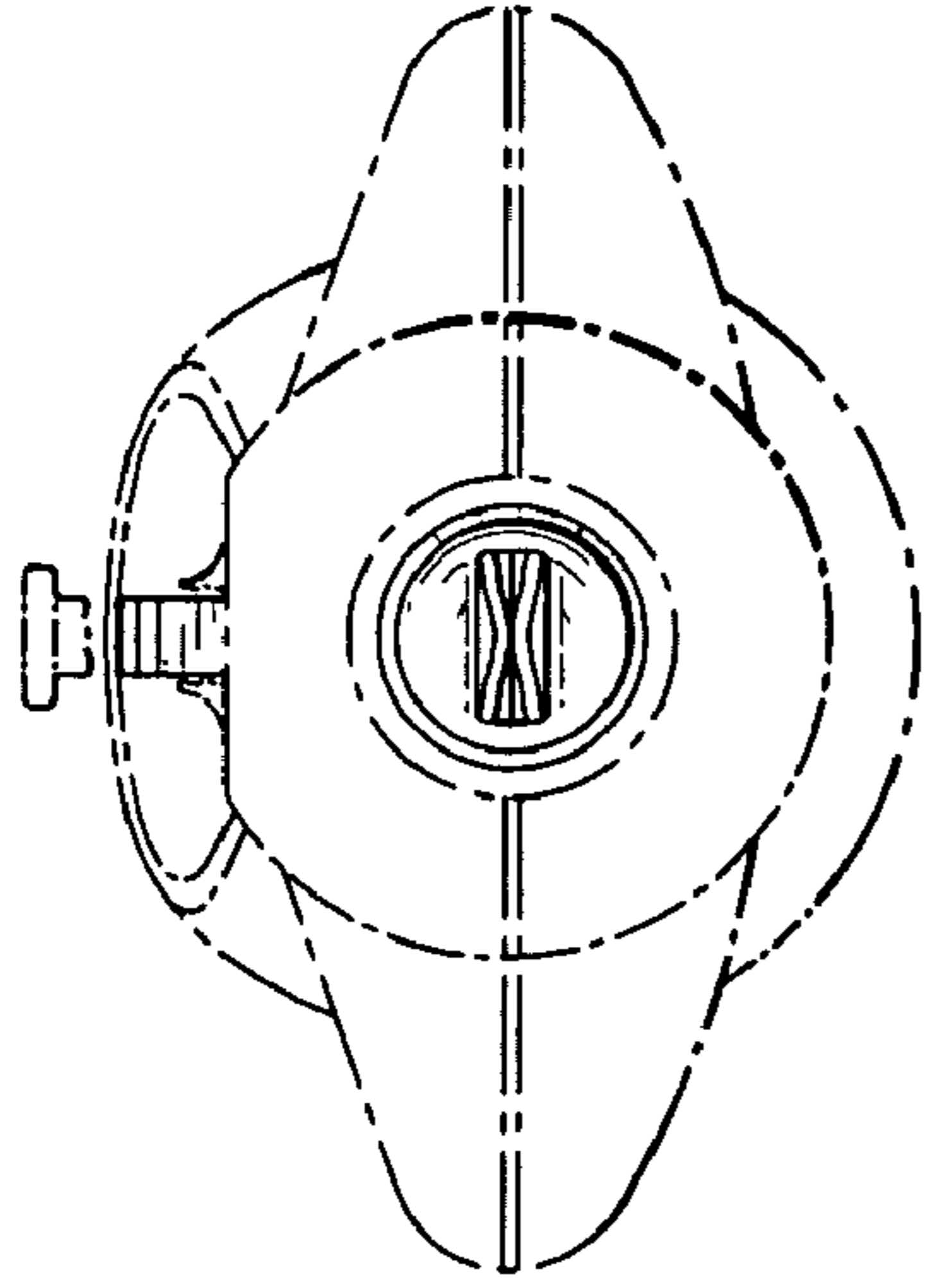


FIG. 3

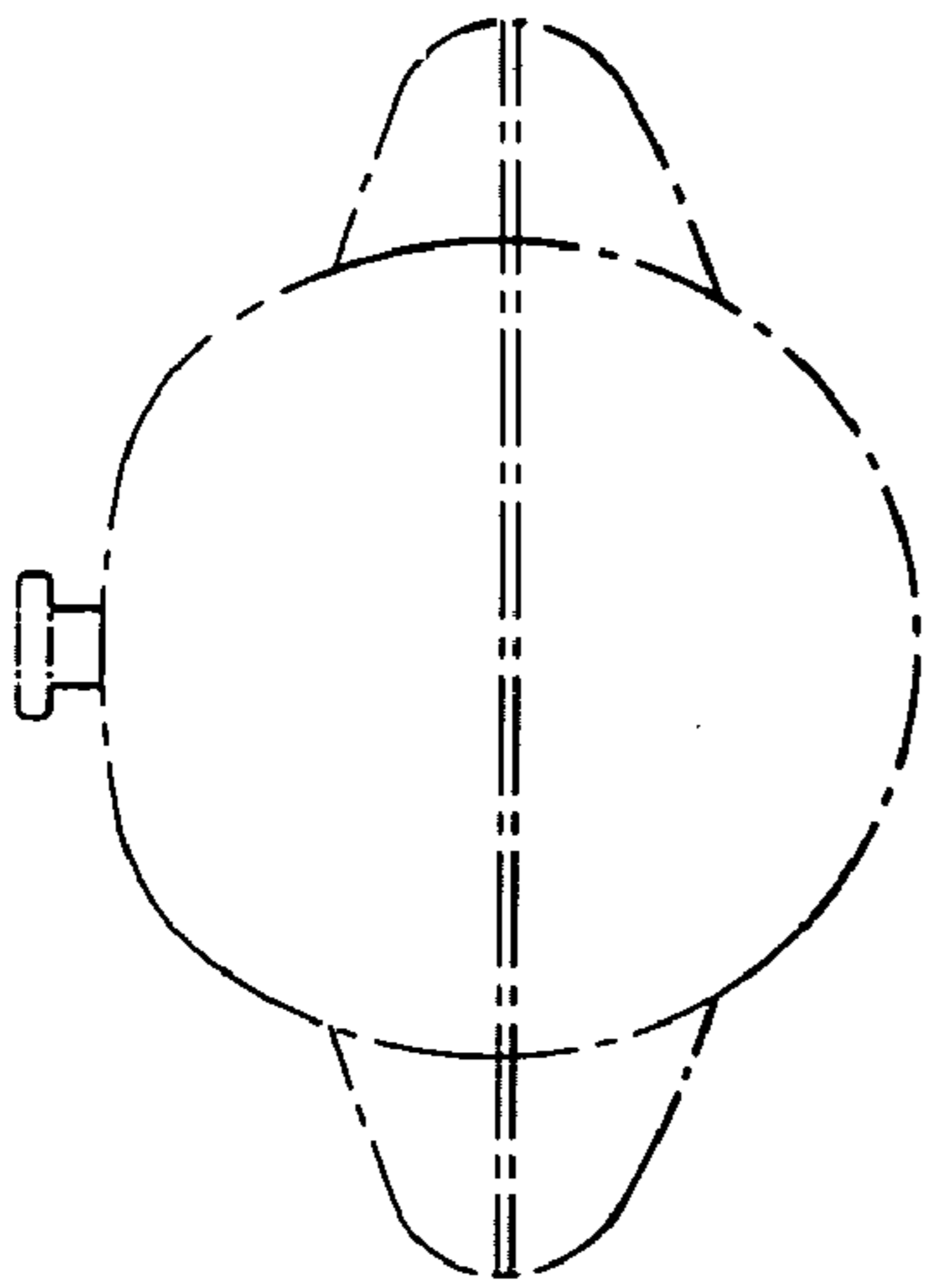


FIG. 4

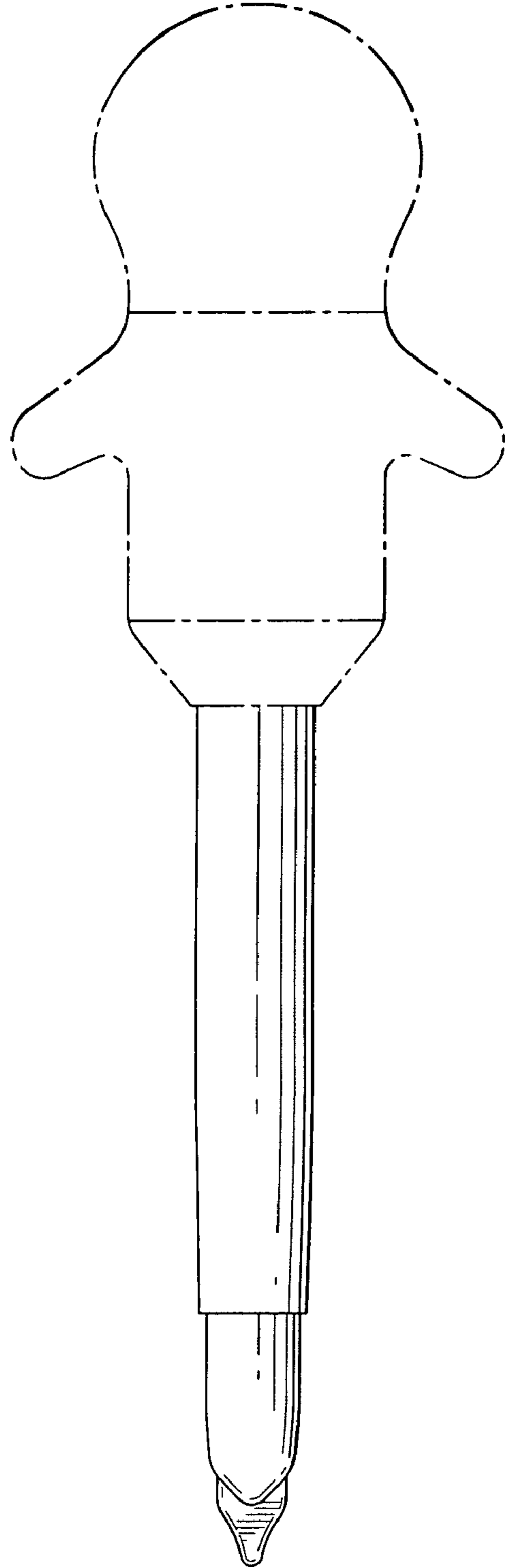
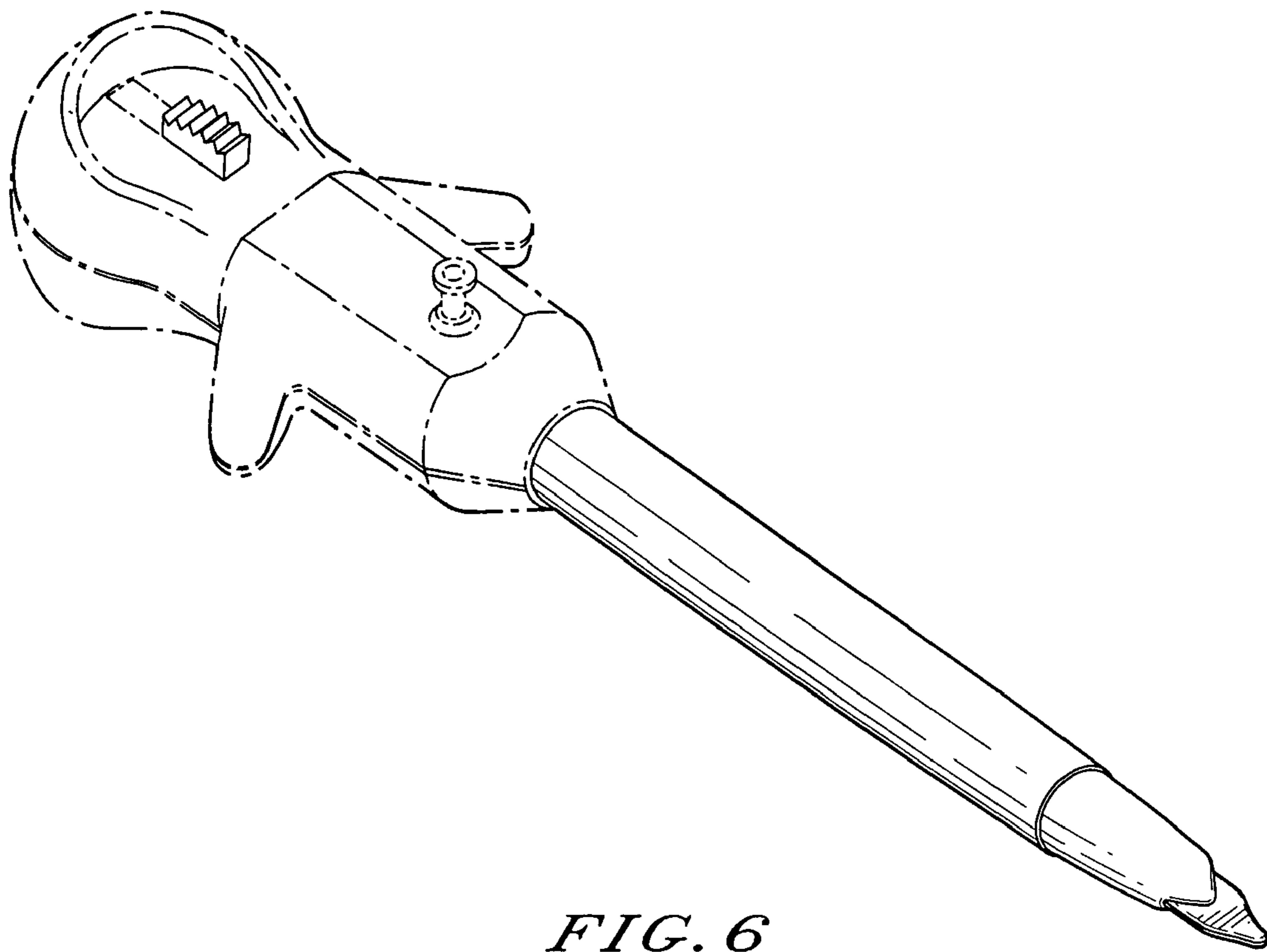


FIG. 5



*FIG. 6*