

US00D561337S

(12) **United States Design Patent**
Stripe

(10) **Patent No.:** **US D561,337 S**

(45) **Date of Patent:** **** Feb. 5, 2008**

(54) **CERVIMETER**

(75) Inventor: **Stephen Stripe**, Minot, ND (US)

(73) Assignee: **University of North Dakota**, Grand Forks, ND (US)

(**) Term: **14 Years**

(21) Appl. No.: **29/239,747**

(22) Filed: **Oct. 4, 2005**

(51) **LOC (8) Cl.** **24-02**

(52) **U.S. Cl.** **D24/140**

(58) **Field of Classification Search** D24/140,
D24/141, 143, 105, 135; 600/591, 587, 588,
600/436, 476; 33/512

See application file for complete search history.

6,039,701 A	3/2000	Sliwa et al.
6,066,104 A	5/2000	Dao et al.
6,419,646 B1	7/2002	Baxter-Jones
6,524,259 B2	2/2003	Baxter-Jones et al.
6,682,609 B1	1/2004	Tsuruta et al.
6,802,817 B2	10/2004	Baxter-Jones et al.
2002/0198471 A1	12/2002	Baxter-Jones et al.
2003/0158502 A1	8/2003	Baxter-Jones et al.
2004/0225235 A1	11/2004	Ben-Cnaan et al.
2005/0027215 A1	2/2005	Baxter-Jones et al.

* cited by examiner

Primary Examiner—Antoine D. Davis

Assistant Examiner—Christopher Lee

(74) *Attorney, Agent, or Firm*—Kinney & Lange, PA

(57) **CLAIM**

The ornamental design for a cervimeter, as shown and described.

DESCRIPTION

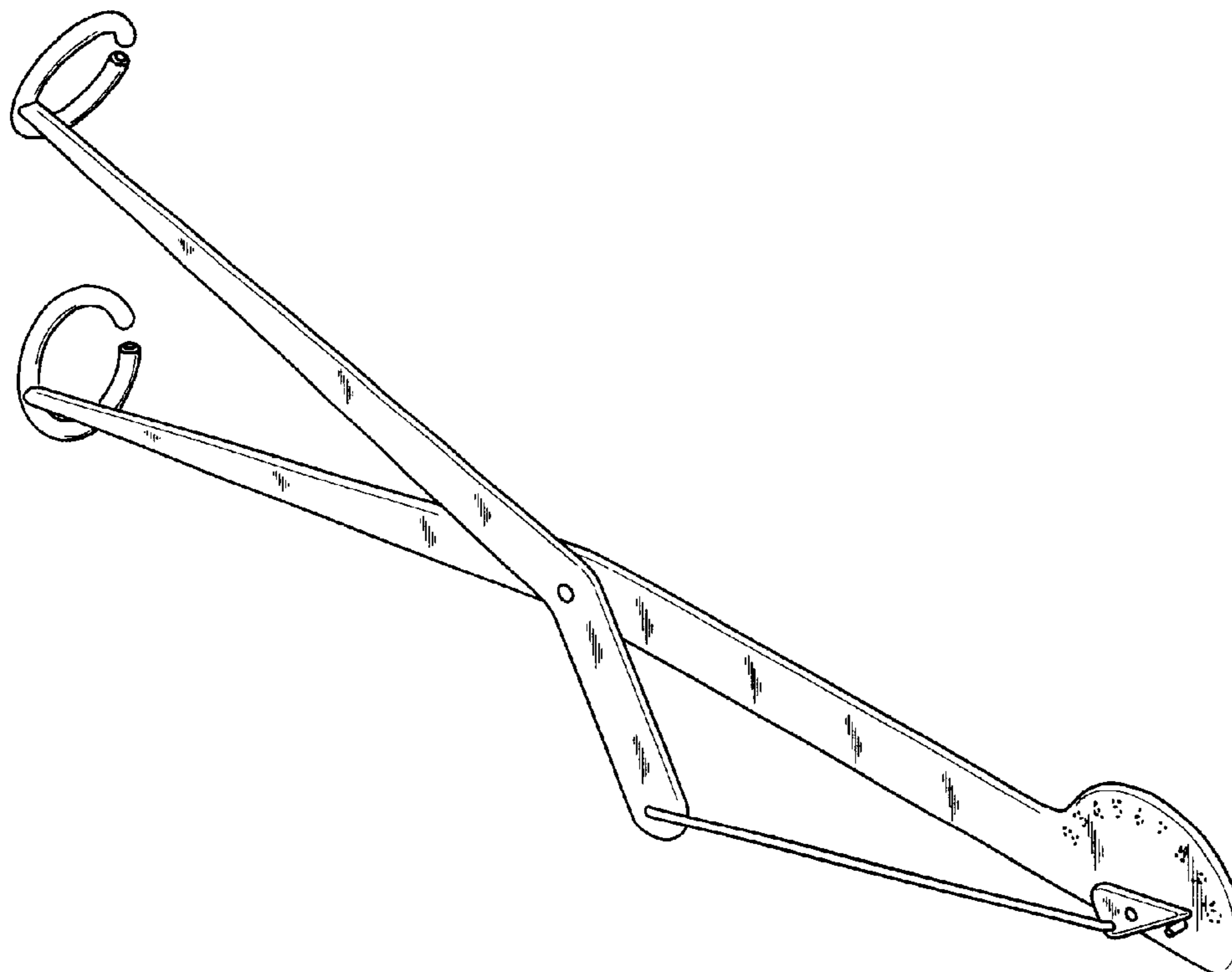
FIG. 1 is a perspective view;
FIG. 2 is a right side view;
FIG. 3 is a left side view;
FIG. 4 is a rear elevational view;
FIG. 5 is a front elevational view;
FIG. 6 is a top plan view; and,
FIG. 7 is a bottom plan view.
The broken line showing is for illustrative purposes only and forms no part of the claimed design.

1 Claim, 3 Drawing Sheets

(56) **References Cited**

U.S. PATENT DOCUMENTS

2,924,220 A	2/1960	Micsky	
4,141,345 A	2/1979	Allen et al.	
4,207,902 A	6/1980	Krementsov	
4,245,656 A	1/1981	Farr et al.	
4,611,603 A	9/1986	Kelso et al.	
4,682,609 A *	7/1987	Parsons	600/588
4,719,925 A	1/1988	Parsons	
D321,055 S *	10/1991	Carchidi	D24/152
5,658,295 A *	8/1997	Krementsov	606/119
5,713,371 A	2/1998	Sherman et al.	



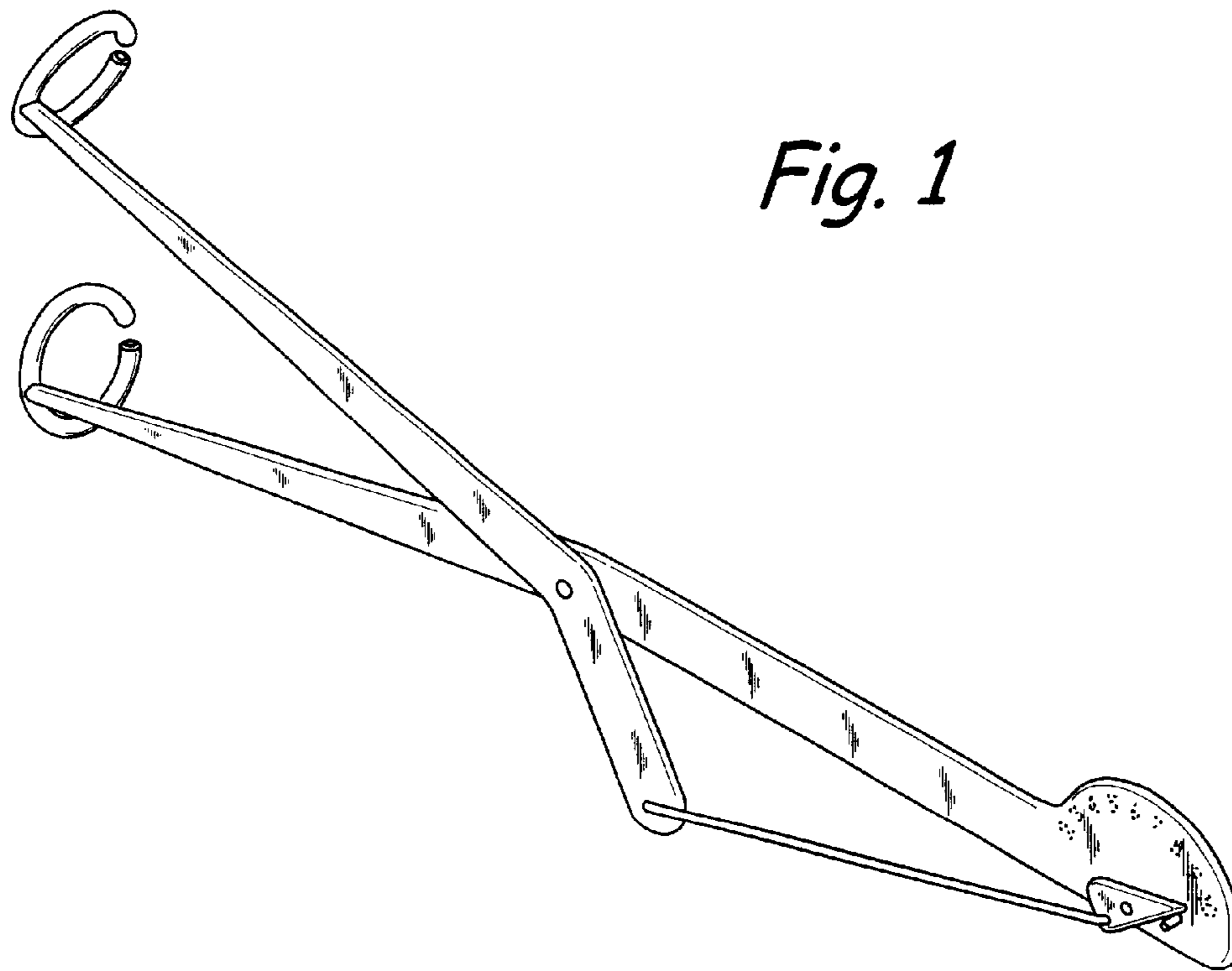


Fig. 2

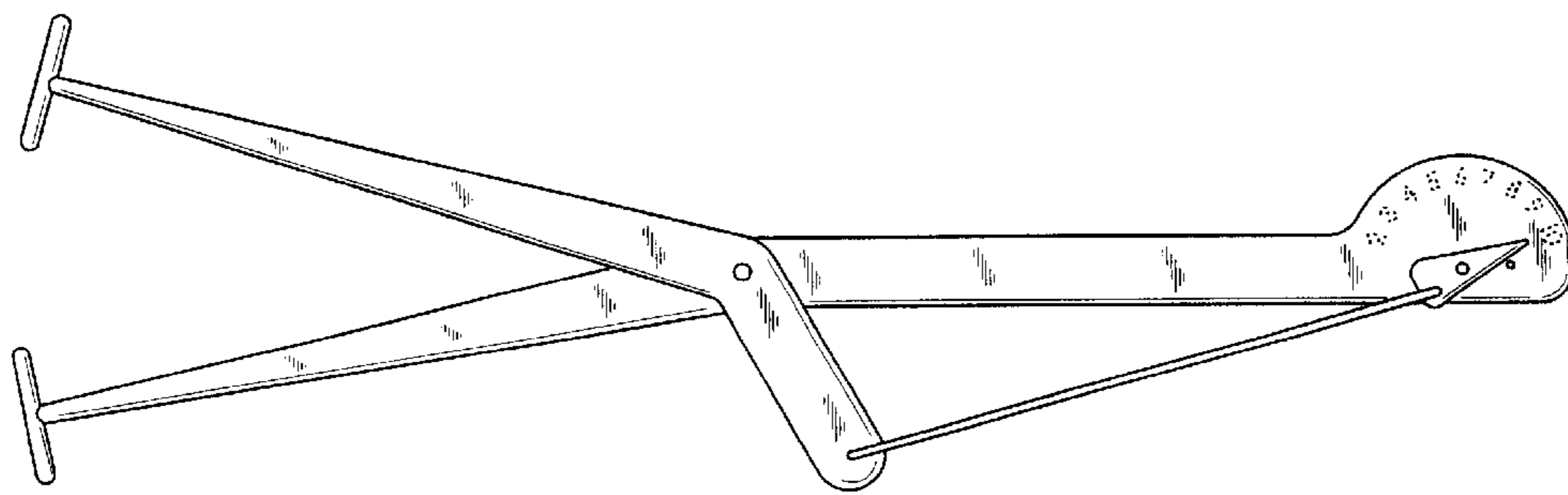
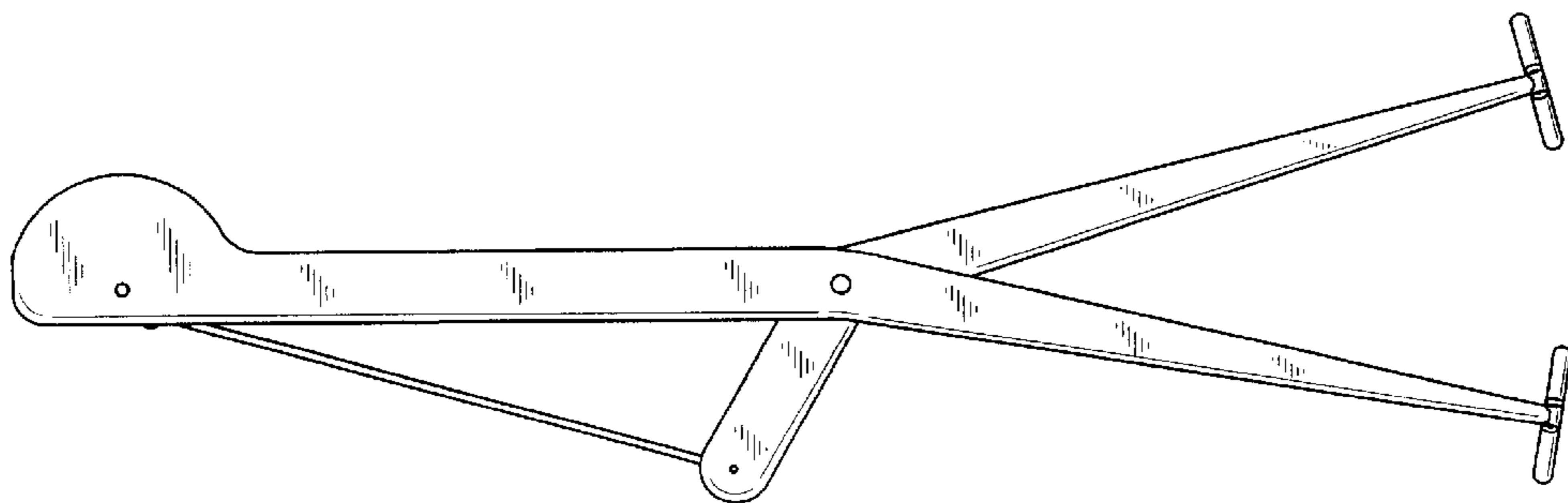


Fig. 3



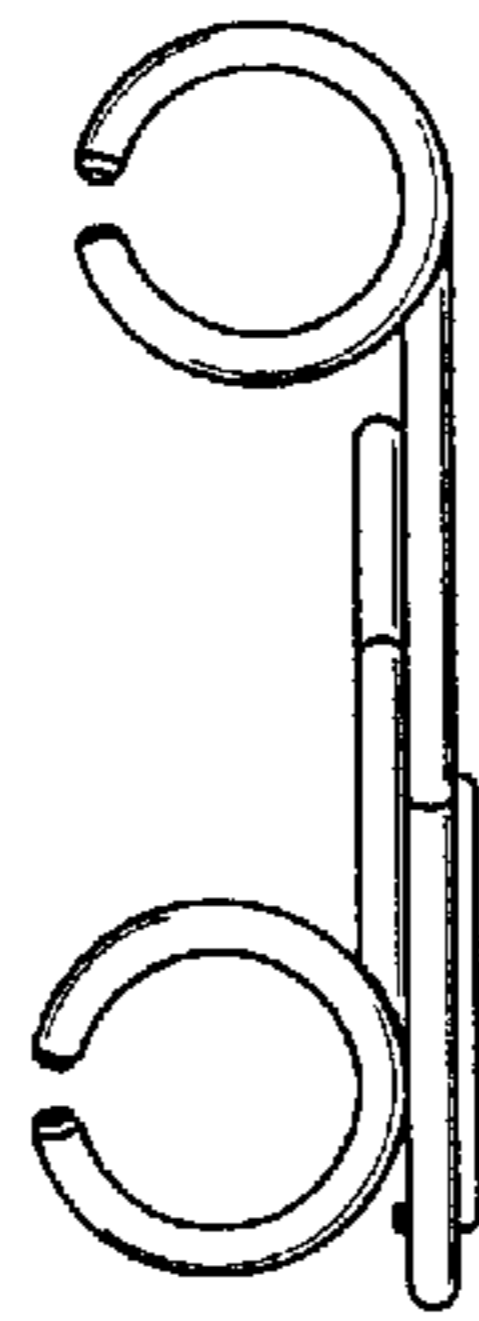


Fig. 4

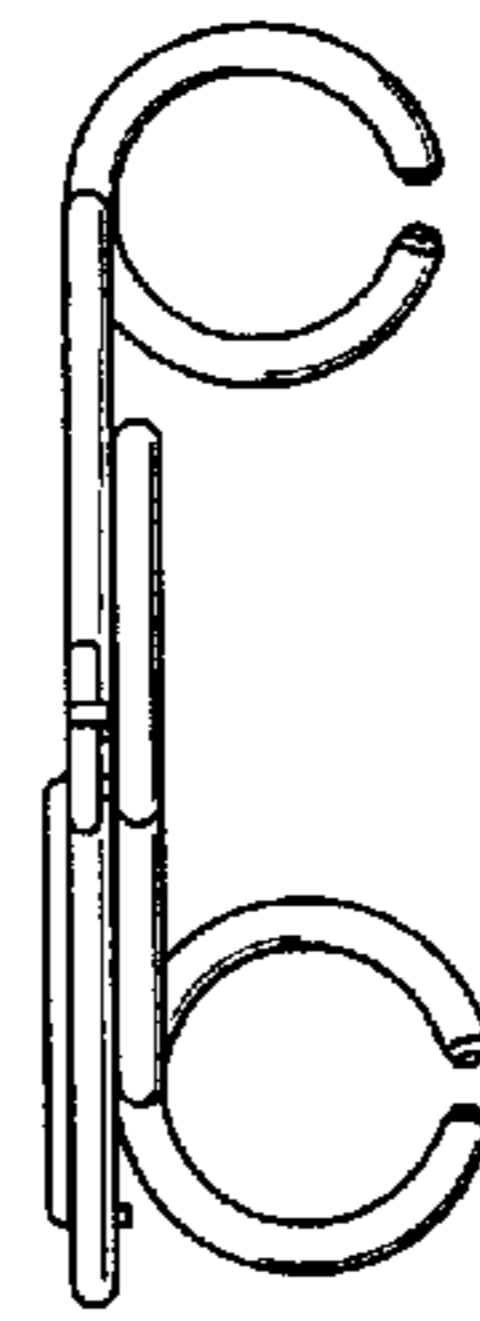


Fig. 5

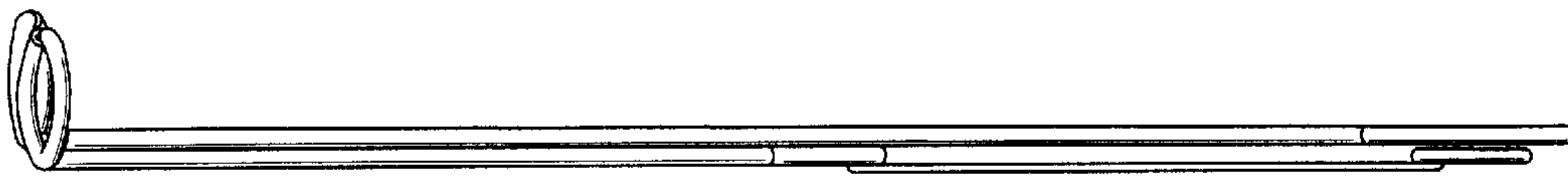


Fig. 6

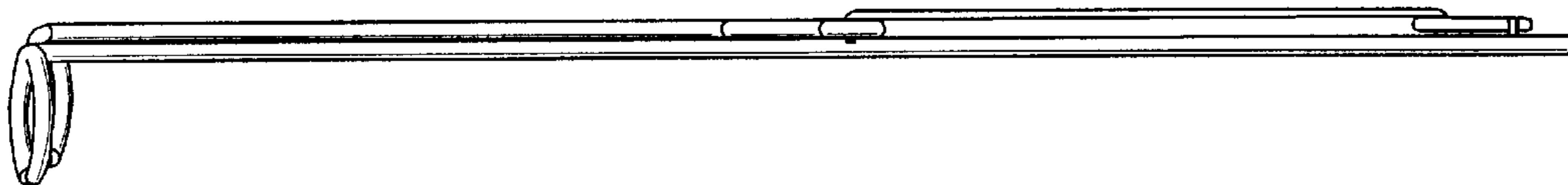


Fig. 7