

US00D561336S

(12) **United States Design Patent**
Laflash et al.

(10) **Patent No.:** **US D561,336 S**
(45) **Date of Patent:** **** Feb. 5, 2008**

(54) **CONTROL HANDLE FOR A PORTABLE
ENDOSCOPIC DEVICE**

(75) Inventors: **William F. Laflash**, Northbridge, MA
(US); **Thomas V. Root**, Beverly, MA
(US); **Matthew G. Maher**, Worcester,
MA (US); **Hudson D. Bennett**, New
Braintree, MA (US); **Jason Wallace**,
North Brookfield, MA (US); **Robert J.
Krupa**, Leominster, MA (US)

(73) Assignee: **Optim, Inc.**, Sturbridge, MA (US)

(**) Term: **14 Years**

(21) Appl. No.: **29/228,094**

(22) Filed: **Apr. 18, 2005**

(51) **LOC (8) Cl.** **24-02**

(52) **U.S. Cl.** **D24/138**

(58) **Field of Classification Search** D24/140-147,
D24/133, 152, 154, 182, 176, 177, 111, 158,
D24/108, 112, 127, 137, 138, 156; 606/189,
606/188, 84; 600/101, 121, 122, 125, 130,
600/131, 136, 137; D28/58

See application file for complete search history.

(56) **References Cited**

U.S. PATENT DOCUMENTS

D333,601 S 3/1993 Wingert D8/49

D391,262 S * 2/1998 Rosen D14/239
D393,514 S * 4/1998 Hadley et al. D34/27
D434,147 S * 11/2000 Ward et al. D24/137
D466,773 S 12/2002 Lin D8/49
D480,807 S * 10/2003 Yordan et al. D24/138
D491,999 S * 6/2004 Scott D22/142
D536,445 S * 2/2007 Bacher et al. D24/133

* cited by examiner

Primary Examiner—Ian Simmons

Assistant Examiner—Charles D Hanson

(74) *Attorney, Agent, or Firm*—Proskauer Rose LLP

(57) **CLAIM**

The ornamental design for a control handle for a portable endoscopic device, as shown and described.

DESCRIPTION

FIG. 1 is a perspective view of a control handle for a portable endoscope device, showing our new design;

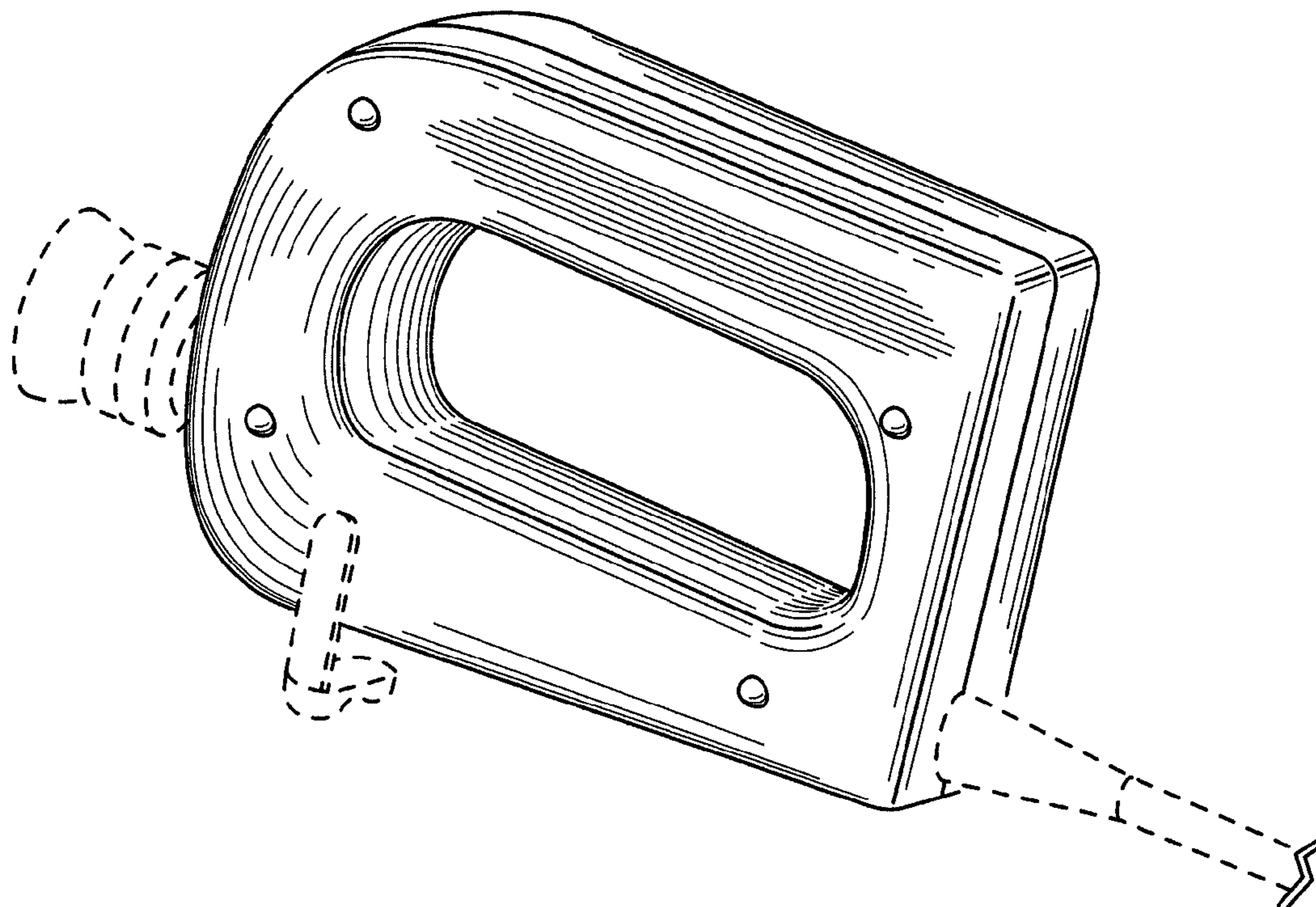
FIG. 2 is another perspective view thereof;

FIG. 3 is another perspective view thereof; and,

FIG. 4 is another perspective view thereof.

The portions of the article shown in broken lines are for showing environment and form no part of the claimed design.

1 Claim, 2 Drawing Sheets



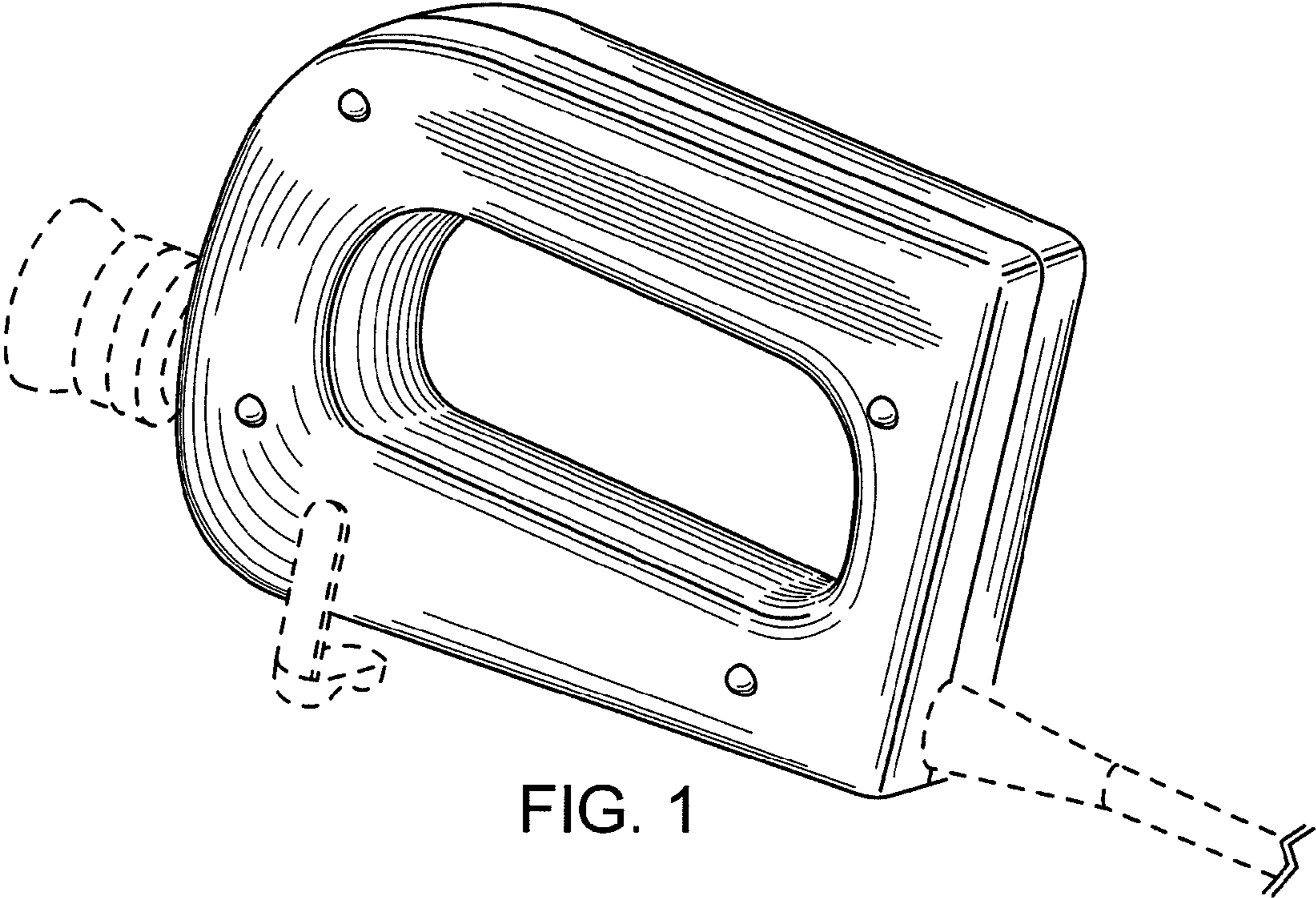


FIG. 1

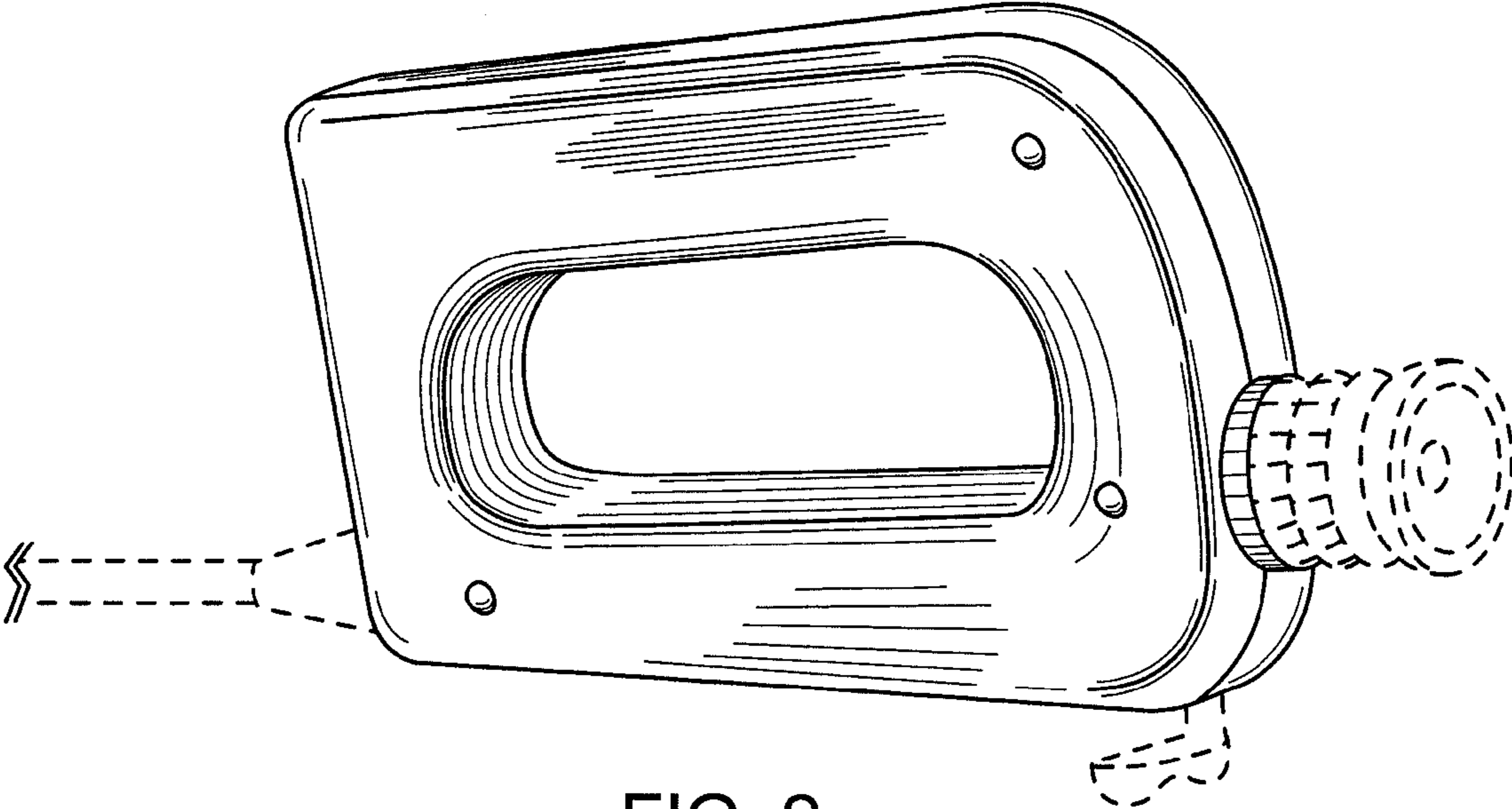


FIG. 2

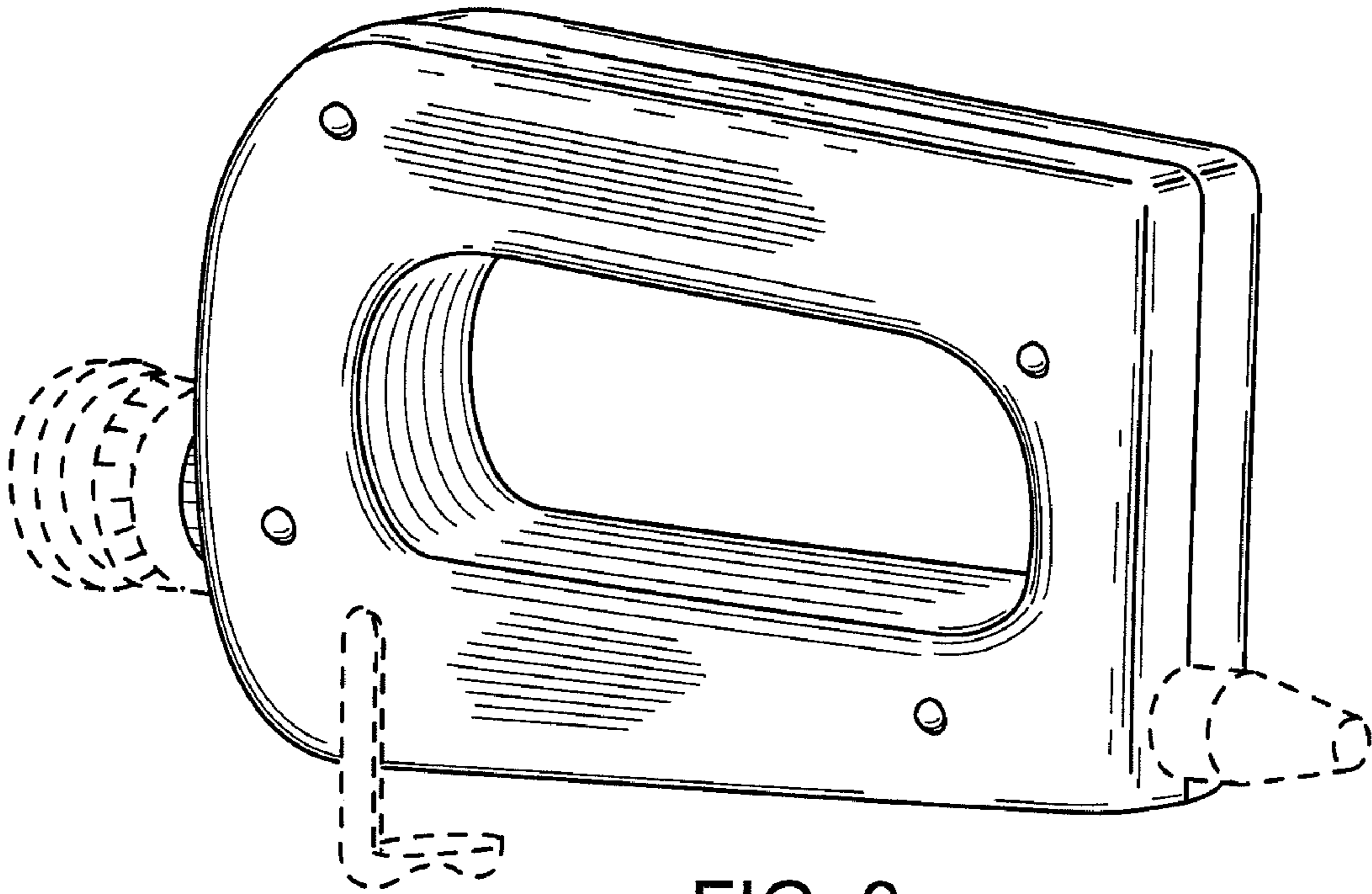


FIG. 3

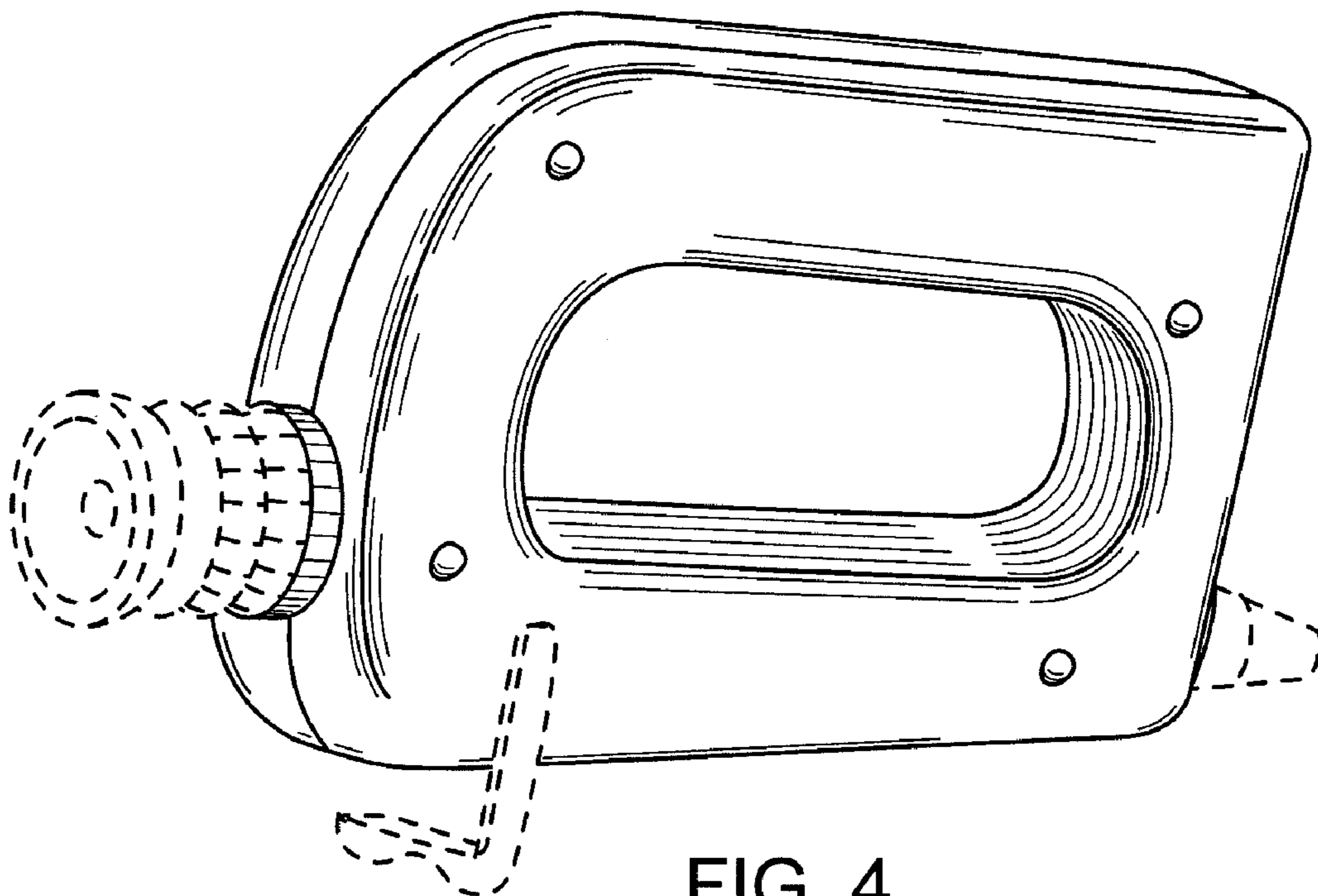


FIG. 4