



US00D561330S

(12) **United States Design Patent**
Richards et al.

(10) **Patent No.:** **US D561,330 S**

(45) **Date of Patent:** **** Feb. 5, 2008**

(54) **RESPIRATORY THERAPY DEVICE**

D450,381 S 11/2001 Weinstein et al.
D489,129 S 4/2004 King et al.
D490,519 S 5/2004 Pelerossi et al.

(75) Inventors: **Fredrick M. Richards**, Clinton, NY (US); **Robert R. Cianfrocco**, Rome, NY (US); **Deborah A. Laun**, Syracuse, NY (US)

* cited by examiner

Primary Examiner—Charles A. Rademaker

Assistant Examiner—Christopher Lee

(73) Assignee: **Smiths Medical ASD, Inc.**, Keene, NH (US)

(74) *Attorney, Agent, or Firm*—August E. Roehrig, Jr.; Luedeka, Neely & Graham, P.C.

(**) Term: **14 Years**

(57) **CLAIM**

(21) Appl. No.: **29/249,357**

The ornamental design of a respiratory therapy device, as shown and described.

(22) Filed: **Oct. 3, 2006**

DESCRIPTION

(51) **LOC (8) Cl.** **29-02**

FIG. 1 is a top perspective view of the respiratory therapy device;

(52) **U.S. Cl.** **D24/110**

FIG. 2 is a side elevational view of the respiratory therapy device;

(58) **Field of Classification Search** D24/110, D24/164, 129, 165; 600/530, 533, 540, 538, 600/539; 128/200.24, 200.23, 201.28, 863, 128/205.23, 205.25, 204.25

FIG. 3 is a top plan view of the respiratory therapy device; FIG. 4 is a bottom plan view of the respiratory therapy device;

See application file for complete search history.

FIG. 5 is a side elevational view of the side opposite that illustrated in FIG. 2;

(56) **References Cited**

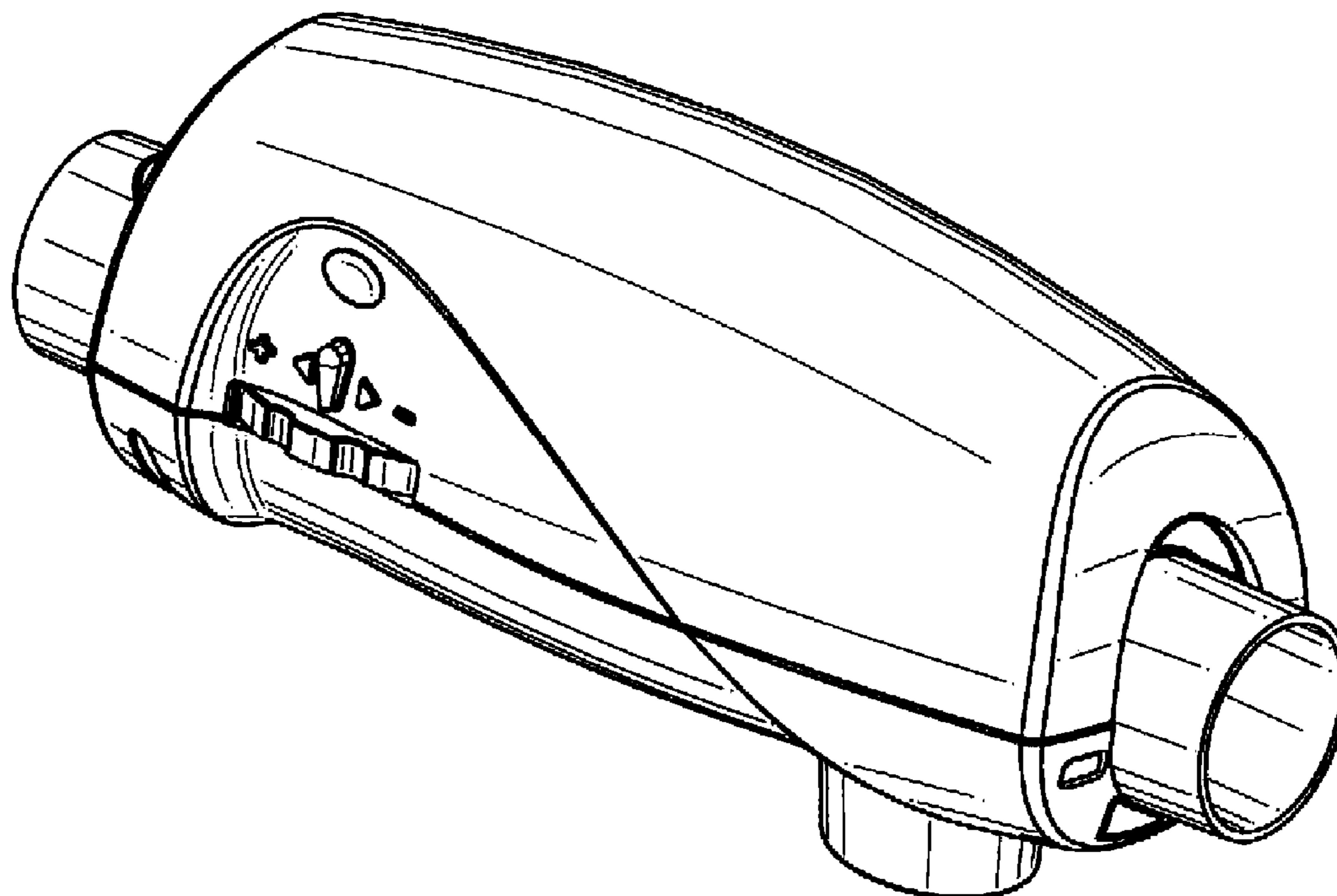
U.S. PATENT DOCUMENTS

4,221,381	A *	9/1980	Ericson	482/13
D315,583	S *	3/1991	Larson et al.	D21/662
5,598,839	A *	2/1997	Niles et al.	128/205.23
5,893,361	A *	4/1999	Hughes	128/200.24
D412,979	S	8/1999	Weinstein et al.		
D440,651	S	4/2001	Foran et al.		
6,253,766	B1 *	7/2001	Niles et al.	128/204.24

FIG. 6 is an end elevational view of the respiratory therapy device; and,

FIG. 7 is an elevational view of the end opposite to that illustrated in FIG. 6.

1 Claim, 3 Drawing Sheets



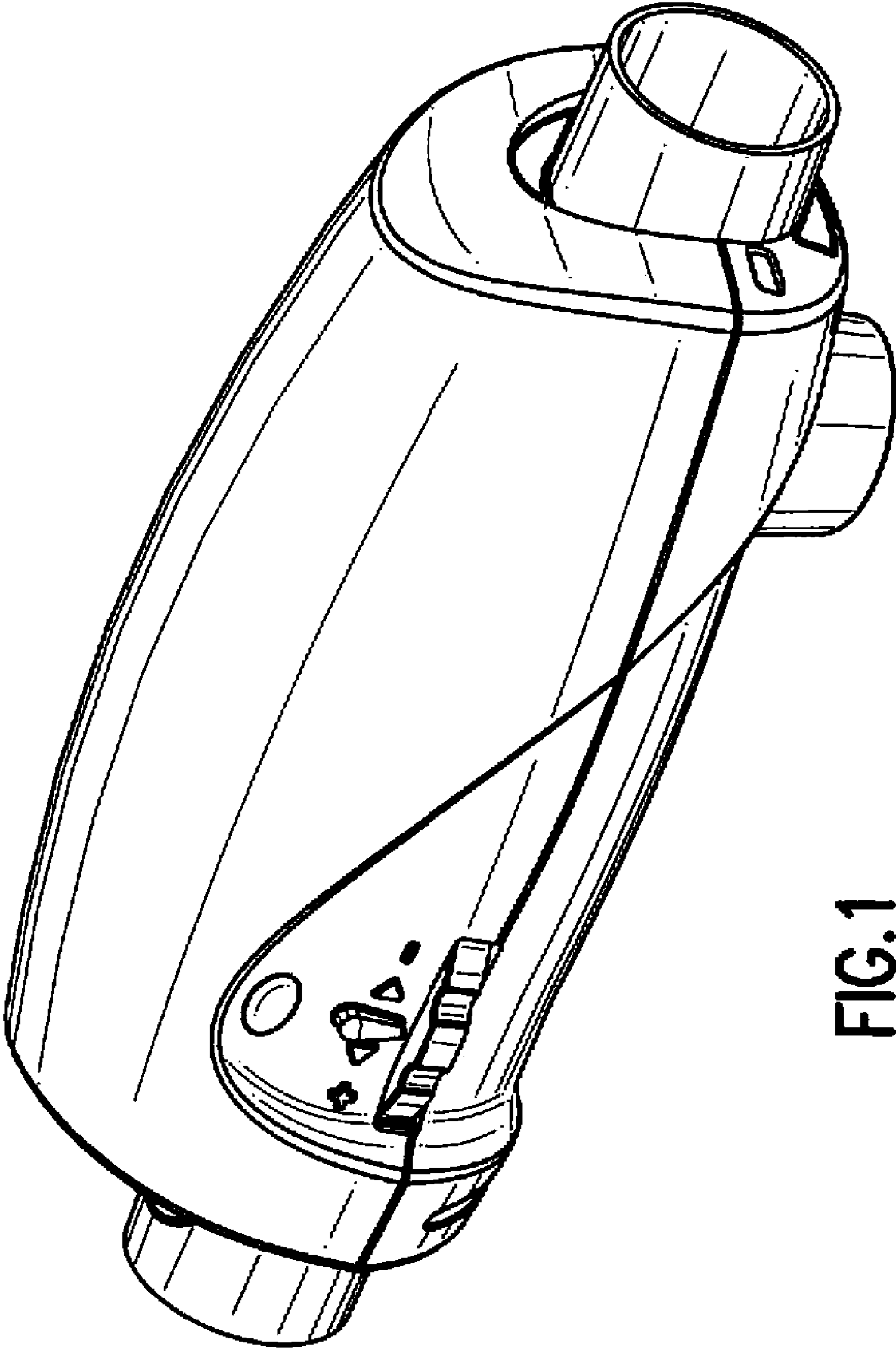


FIG. 1

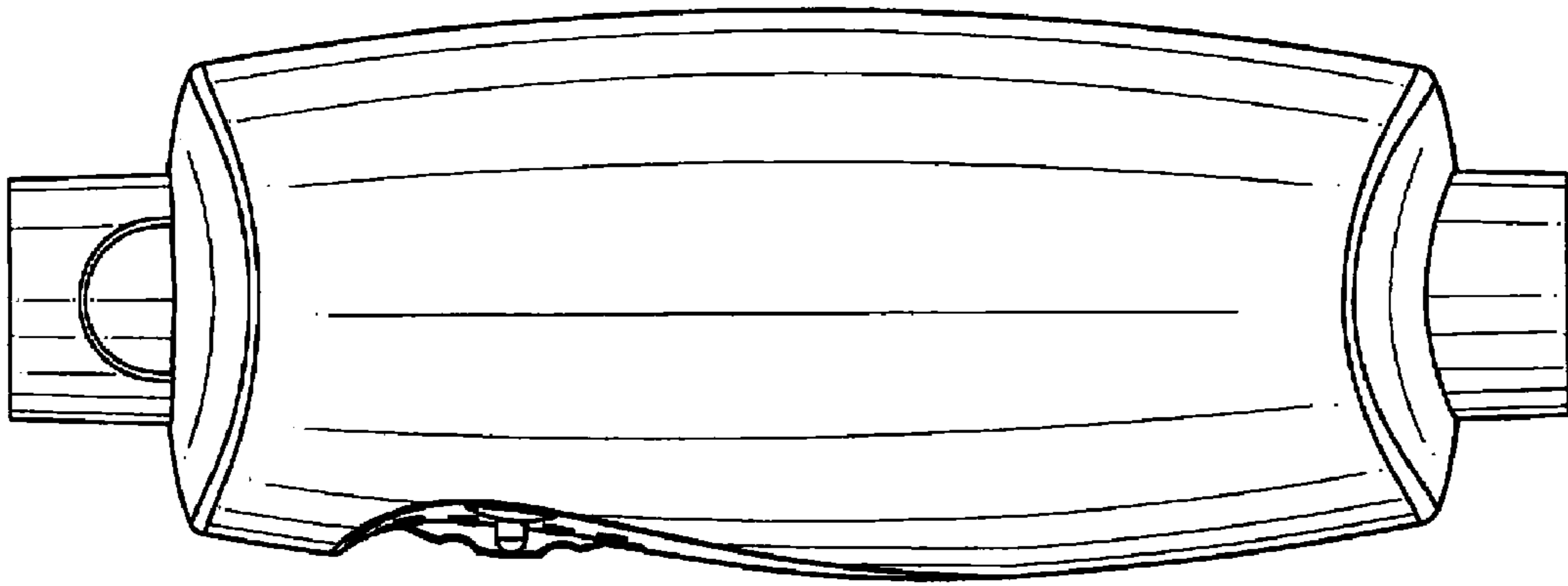


FIG.3

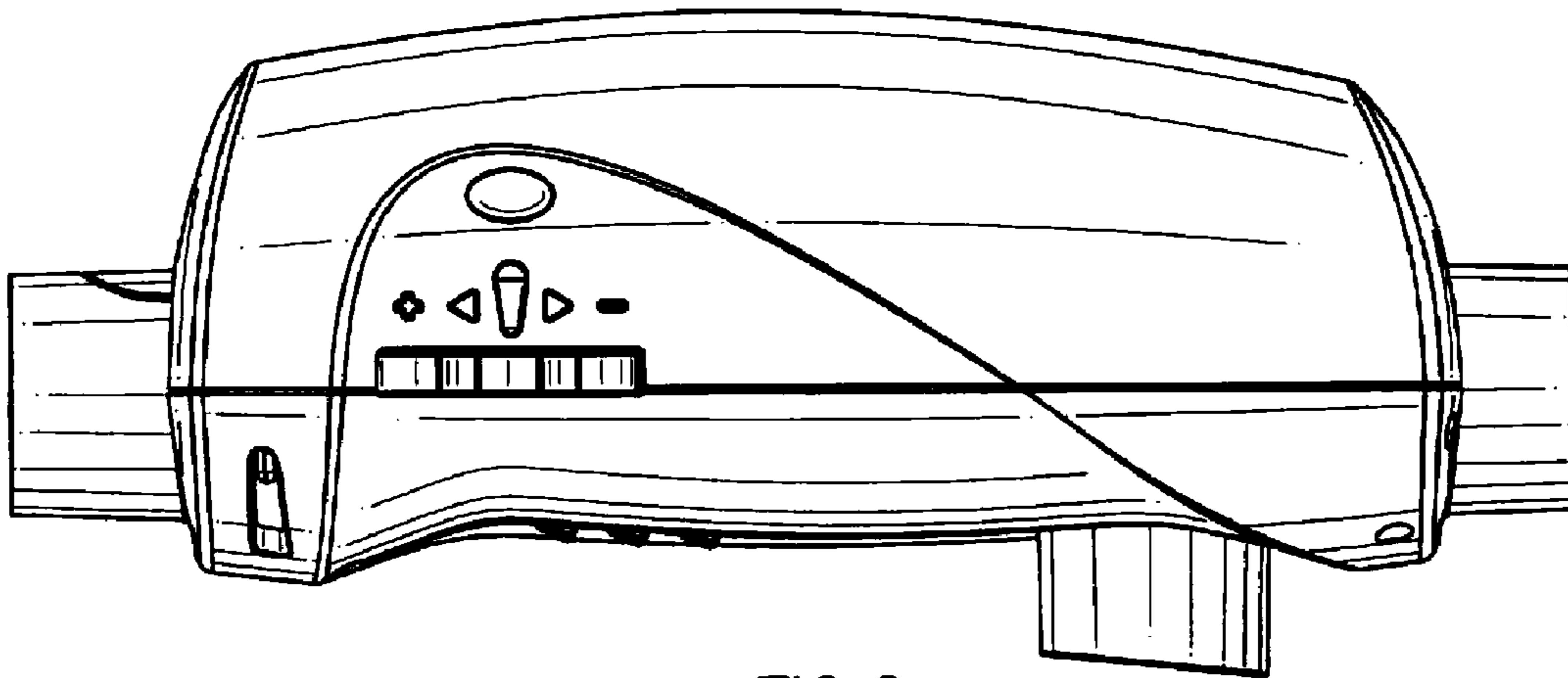


FIG.2

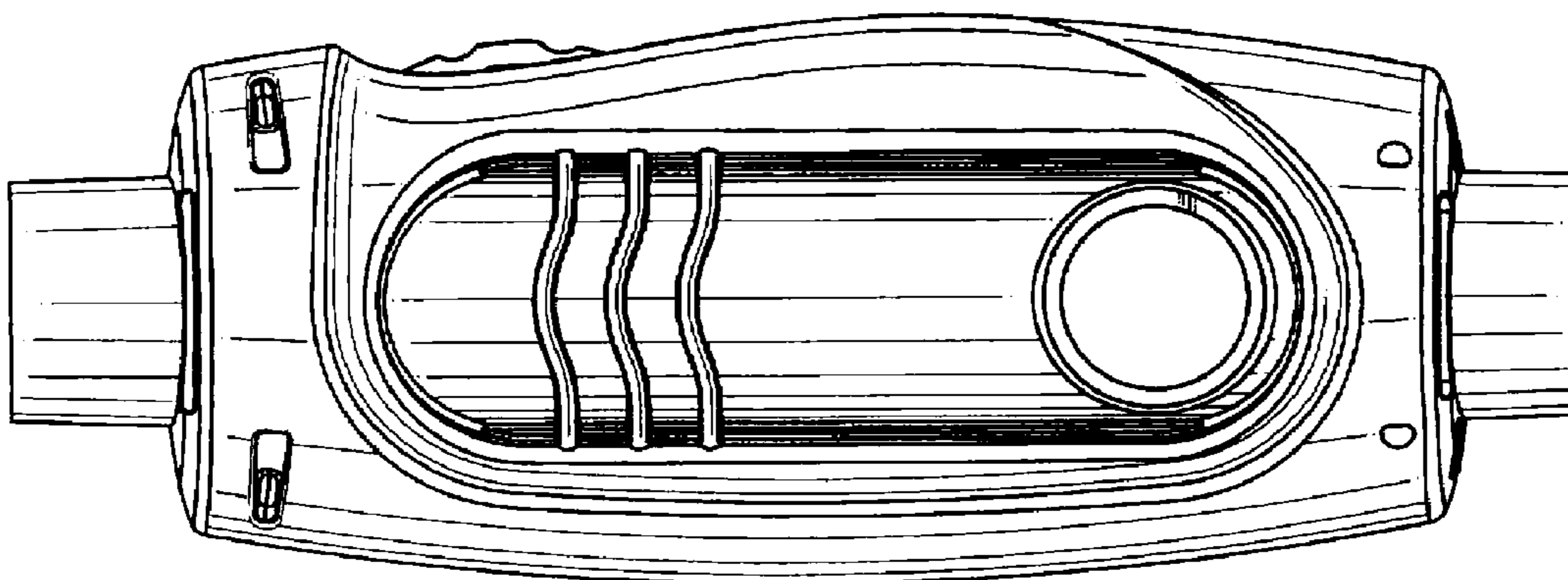


FIG.4

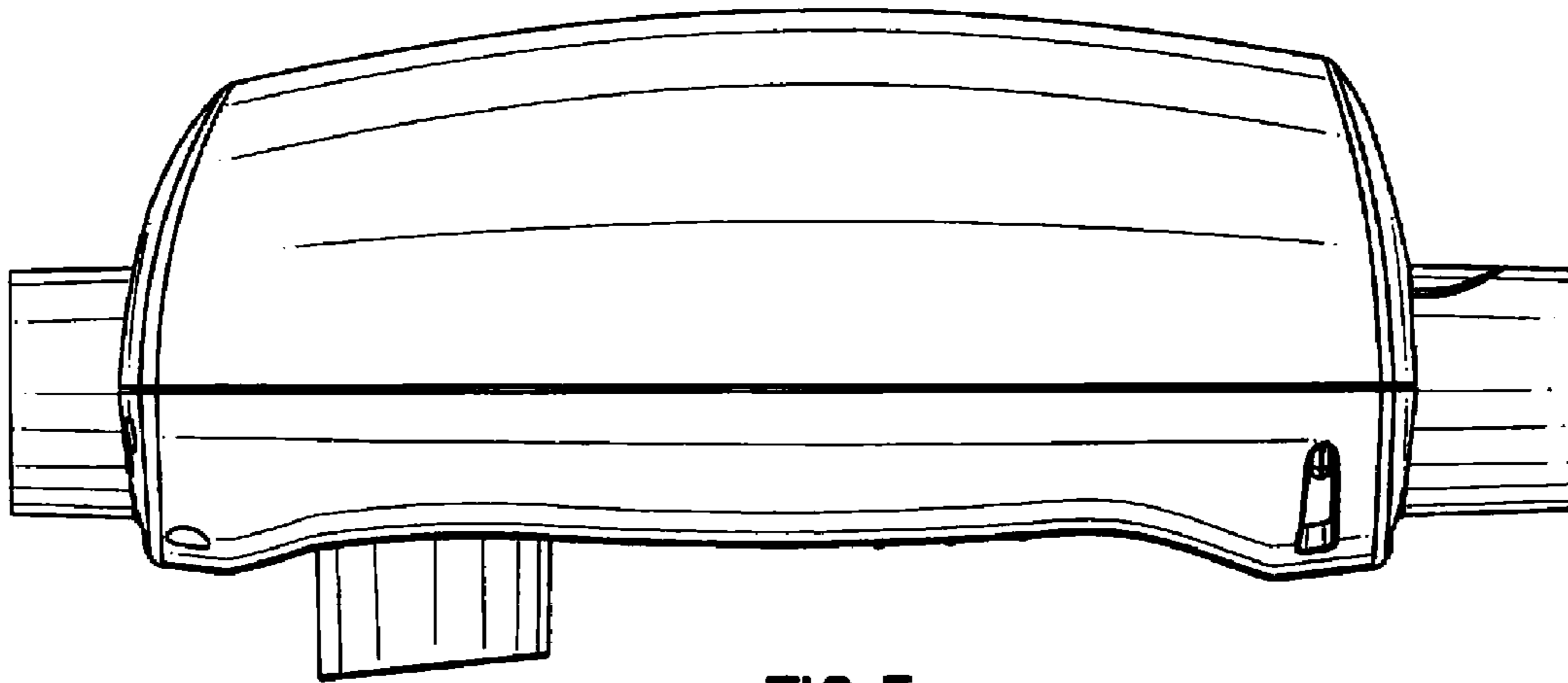


FIG. 5

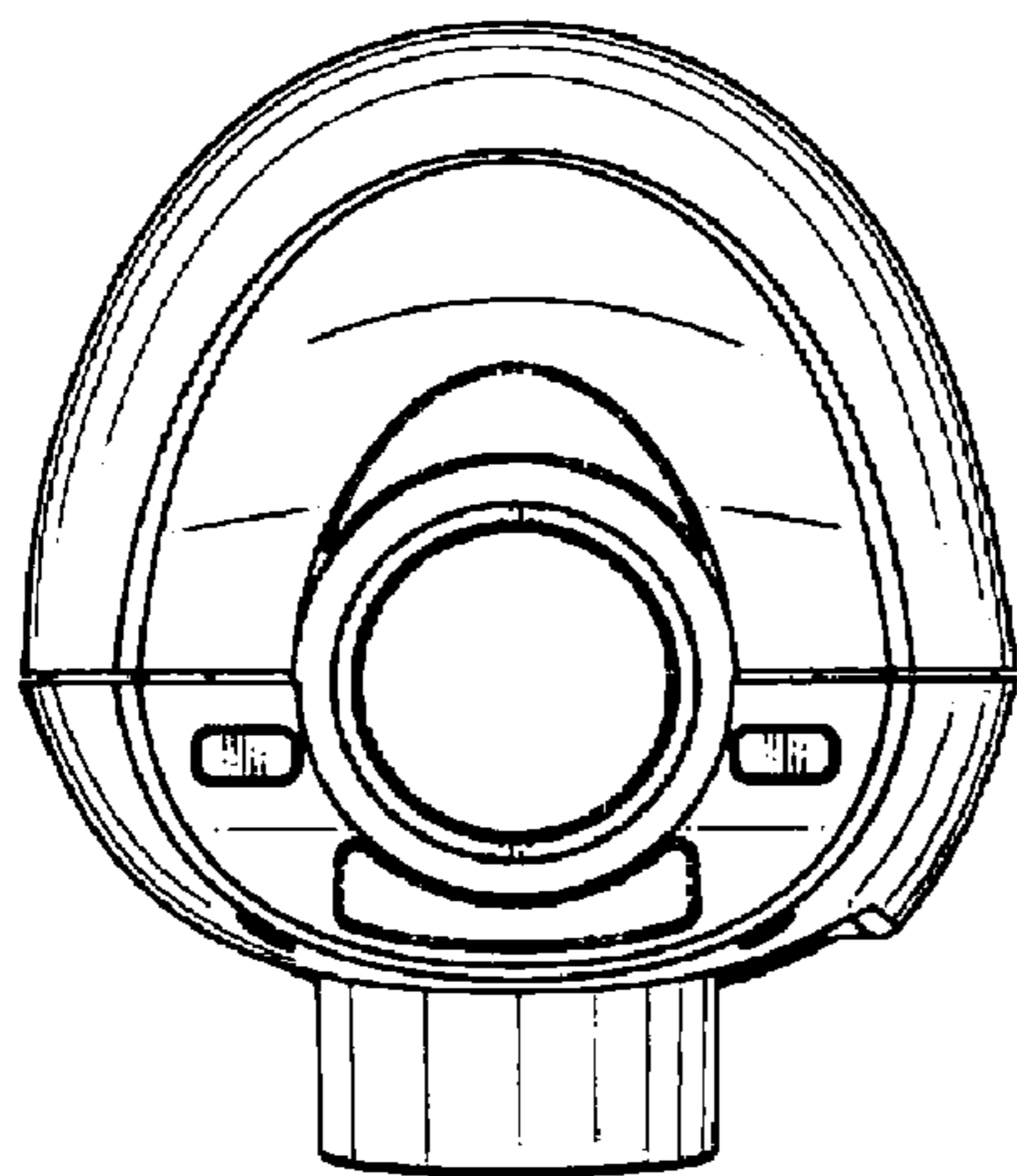


FIG. 6

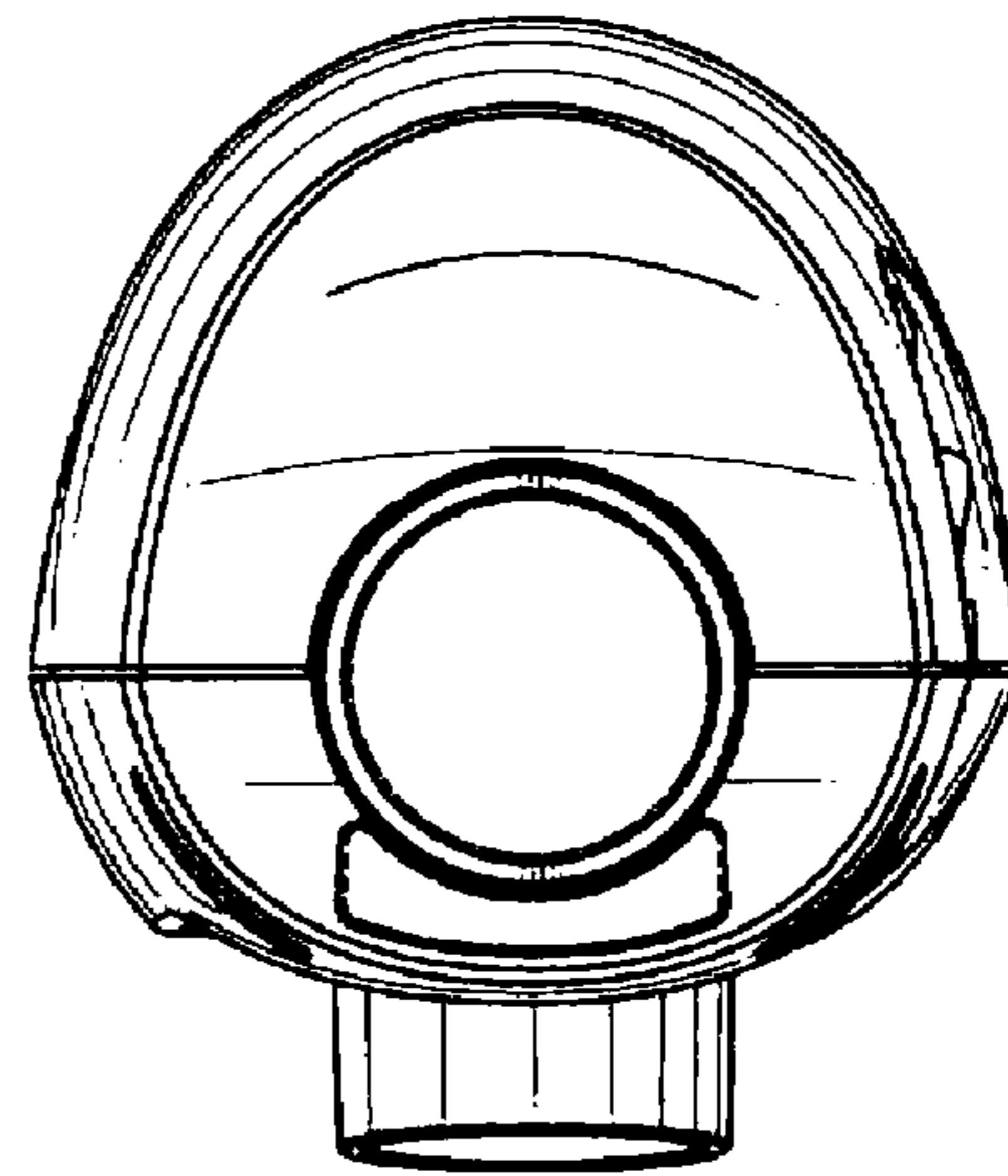


FIG. 7