



US00D561328S

(12) **United States Design Patent**
Hidalgo

(10) **Patent No.:** **US D561,328 S**

(45) **Date of Patent:** **** Feb. 5, 2008**

(54) **CEILING FAN BLADE IRON**

(74) *Attorney, Agent, or Firm*—Baker & McKenzie LLP

(75) Inventor: **Rolando Hidalgo**, Orange, CA (US)

(57) **CLAIM**

(73) Assignee: **Minka Lighting, Inc.**, Corona, CA (US)

The ornamental design for a ceiling fan blade iron, as shown and described.

(**) Term: **14 Years**

(21) Appl. No.: **29/279,458**

DESCRIPTION

(22) Filed: **May 1, 2007**

(51) **LOC (8) Cl.** **23-04**

(52) **U.S. Cl.** **D23/411**

(58) **Field of Classification Search** D23/411,
D23/413, 377, 379, 385; 416/5; D26/59,
D26/51, 72, 81–86, 88

See application file for complete search history.

FIG. 1 is a perspective view from below of a ceiling fan blade iron in accordance with my design;

FIG. 2 is an enlarged perspective view from below of the ceiling fan blade iron in accordance with my design;

FIG. 3 is an enlarged top plan view of the ceiling fan blade iron in accordance with my design;

FIG. 4 is an enlarged bottom plan view of the ceiling fan blade iron in accordance with my design;

FIG. 5 is an enlarged side elevation view of the ceiling fan blade iron in accordance with my design;

FIG. 6 is an enlarged opposite side elevation view of the ceiling fan blade iron in accordance with my design;

FIG. 7 is an enlarged front elevation view of the ceiling fan blade iron in accordance with my design; and,

FIG. 8 is an enlarged back elevation view of the ceiling fan blade iron in accordance with my design.

The broken line showing of the ceiling fan and the blade iron attachment member and the back face of the blade iron is included for the purpose of illustrating environmental structure and forms no part of the claimed design.

(56) **References Cited**

U.S. PATENT DOCUMENTS

D363,540 S	*	10/1995	Yen	D23/411
D440,647 S	*	4/2001	Lee	D23/377
D504,501 S	*	4/2005	Young	D23/377
D513,531 S		1/2006	Hidalgo		
D514,216 S		1/2006	Hidalgo		
D527,454 S		8/2006	Hidalgo		

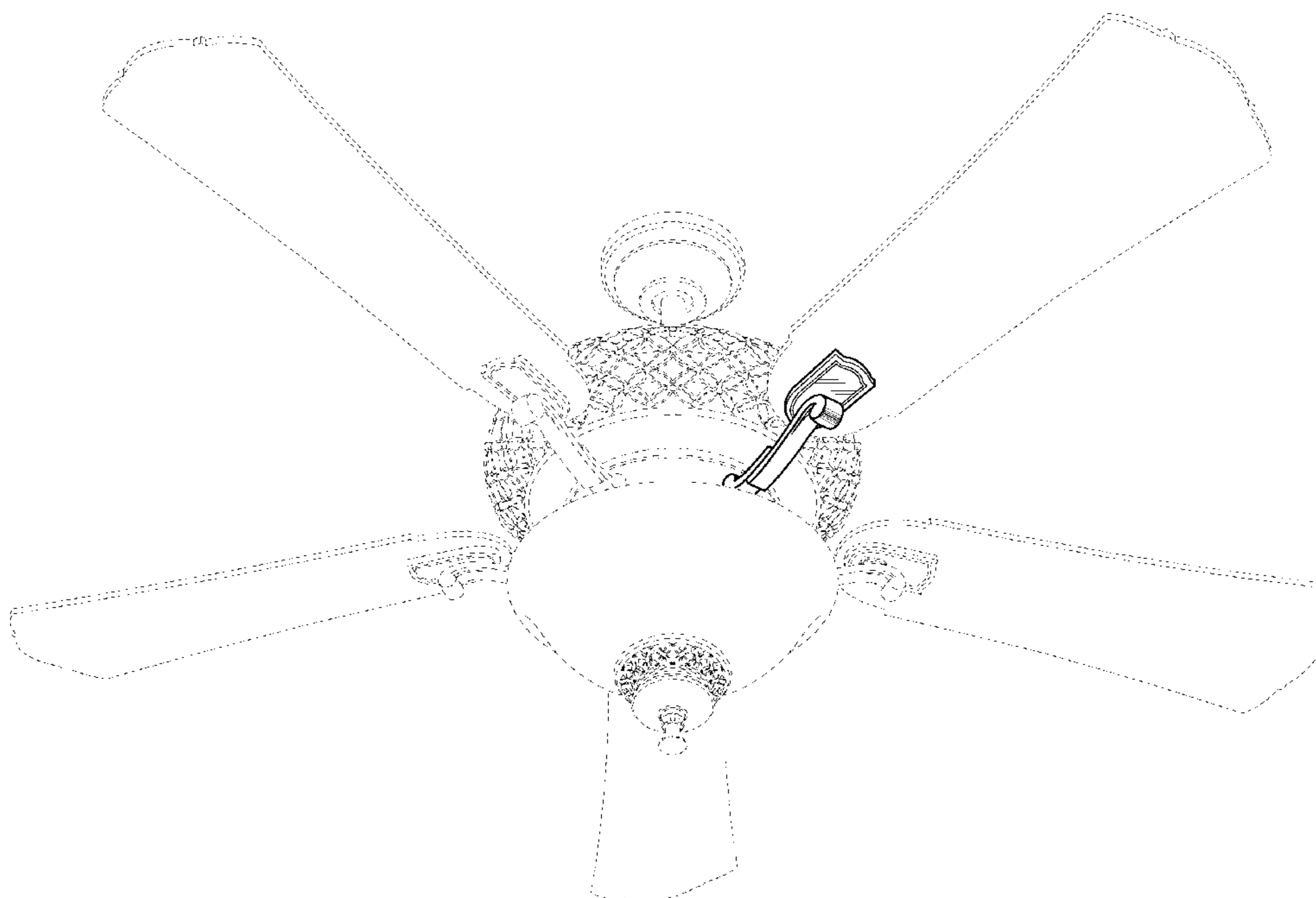
OTHER PUBLICATIONS

Minka-Lavery Catalog; 2007 edition; vol. 15; Jan. 18, 2006; pp. 23-29.

* cited by examiner

Primary Examiner—Lisa Lichtenstein

1 Claim, 3 Drawing Sheets



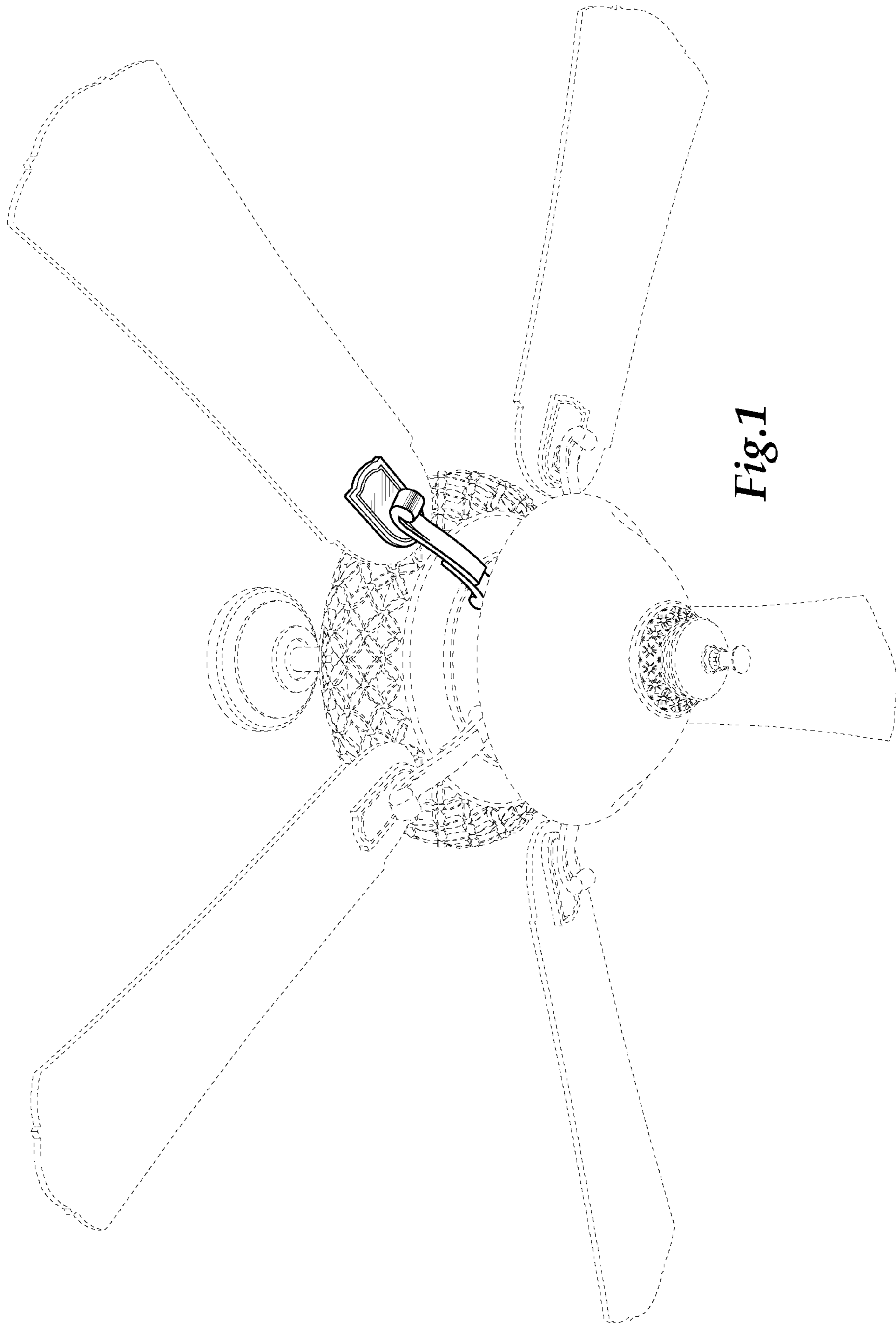


Fig. 1

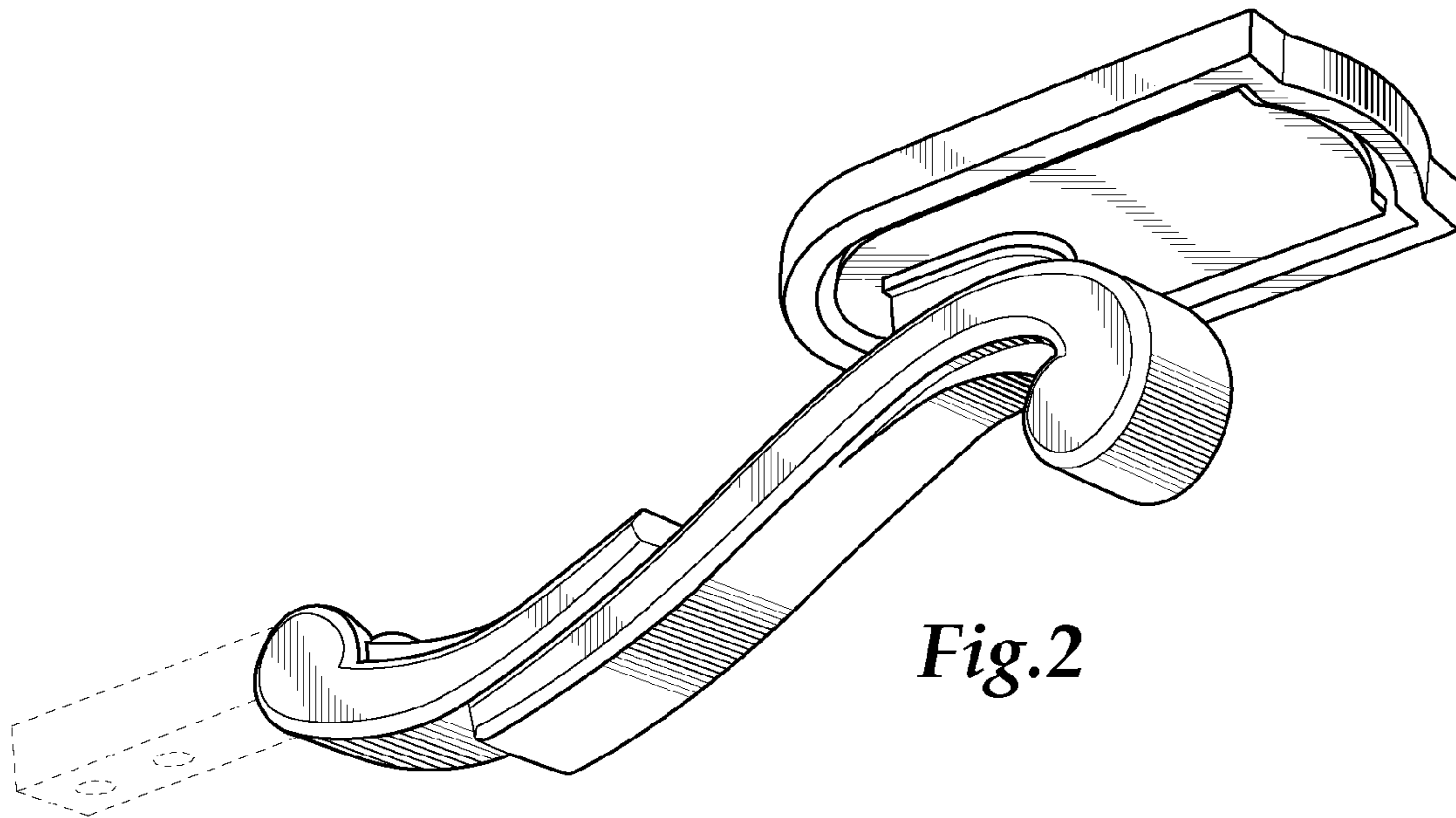


Fig.2

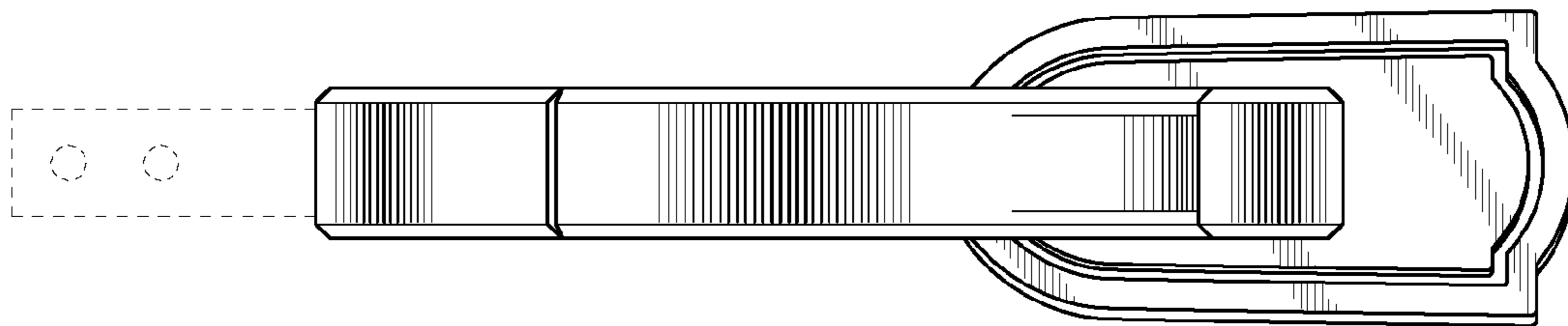


Fig.3

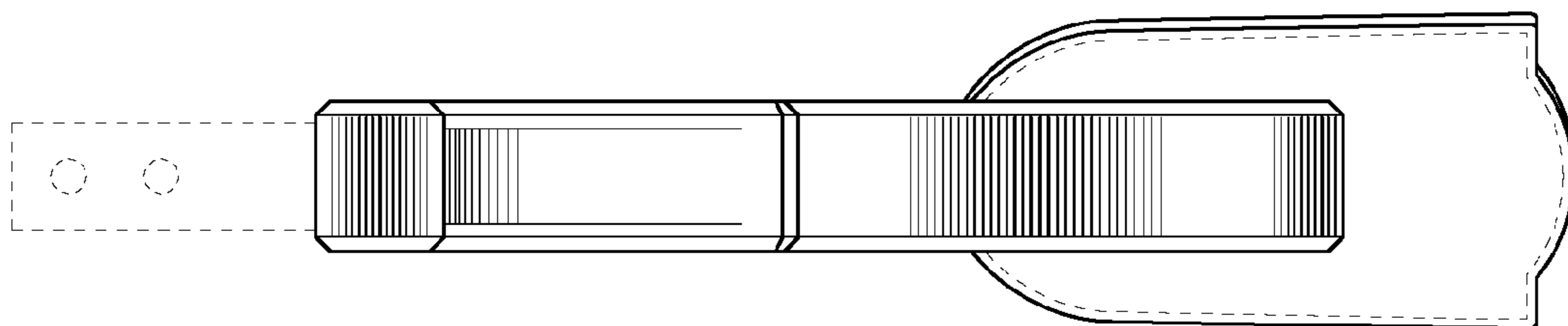


Fig.4

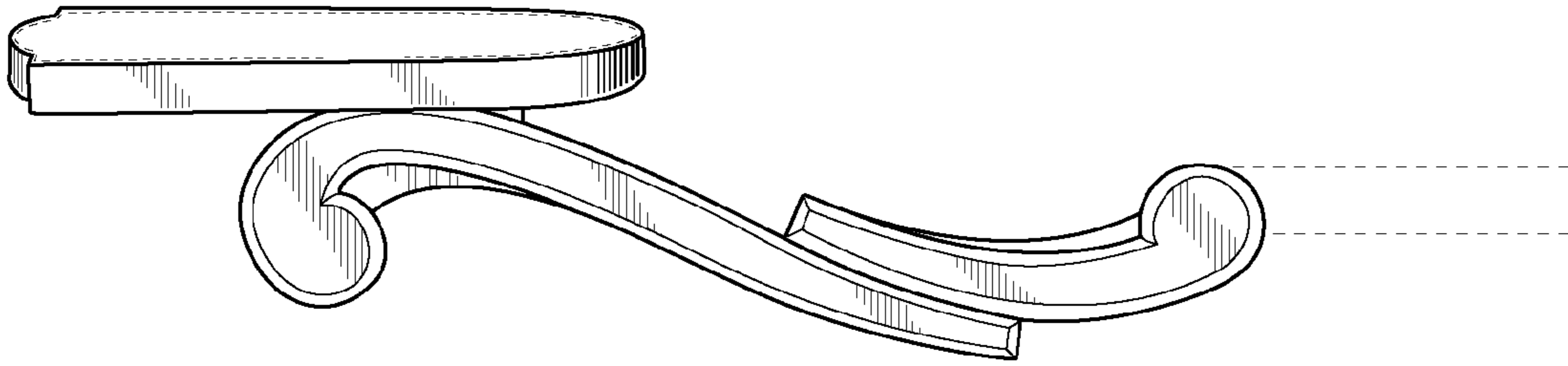


Fig.5

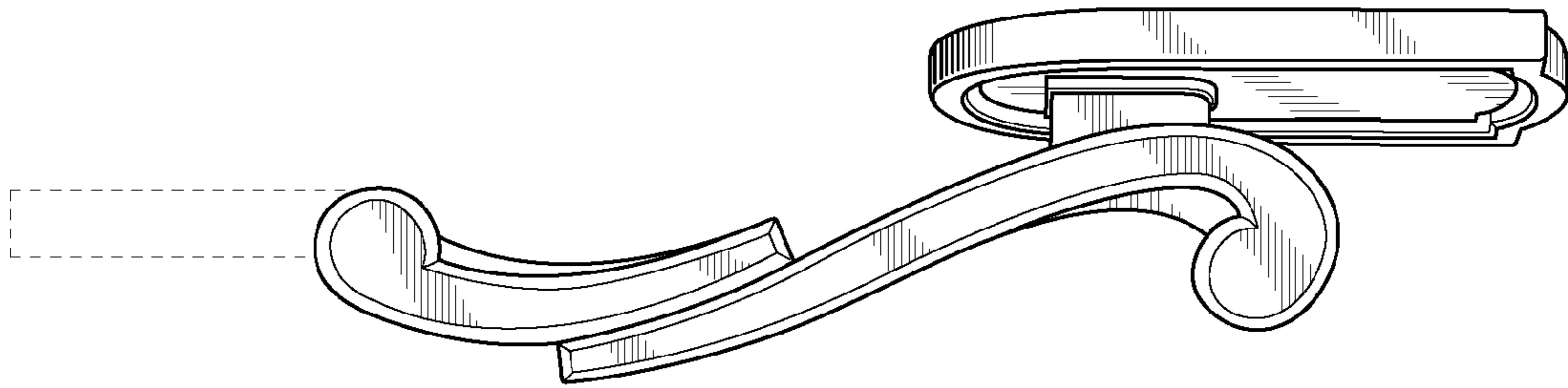


Fig.6

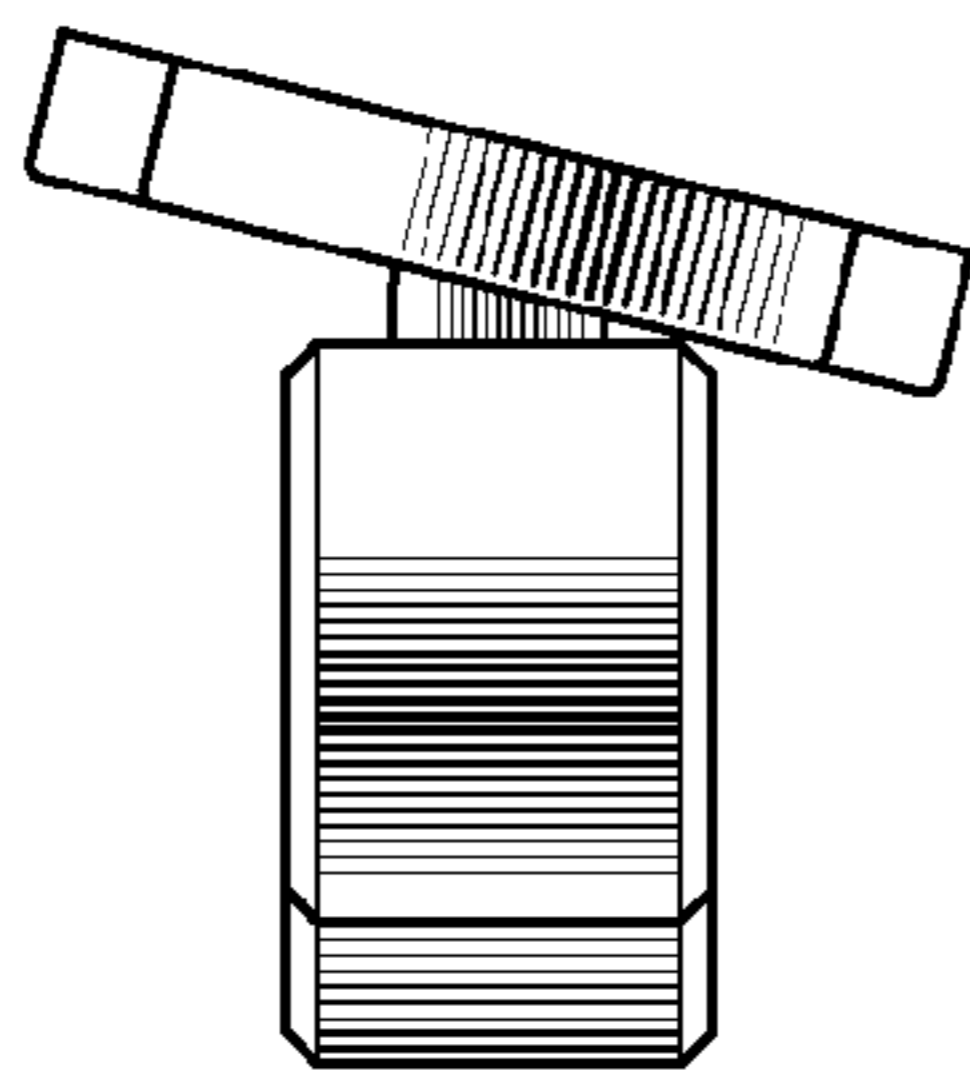


Fig.7

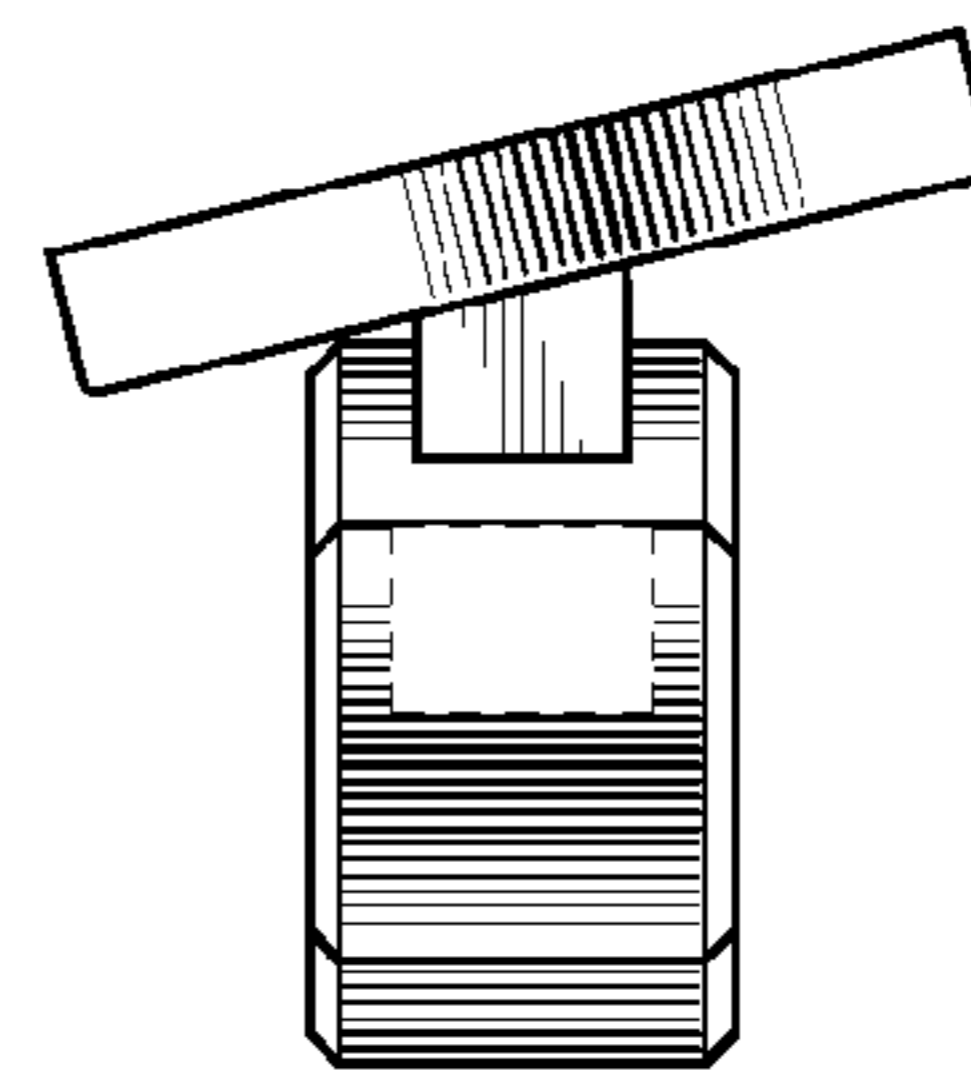


Fig.8